



US00D395163S

United States Patent [19]
Huang

[11] **Patent Number: Des. 395,163**

[45] **Date of Patent: **Jun. 16, 1998**

[54] **WAIST BAG**

5,209,385 5/1993 Ledesma 224/228 X
5,374,919 12/1994 Zelka et al. 224/226 X

[76] **Inventor: Shao-Wen Huang**, No. 141-6,
Ta-An-Kan Road, Tai-Chia Town,
Taichung Hsien, Taiwan

Primary Examiner—Doris V. Coles
Assistant Examiner—Catherine R. Oliver
Attorney, Agent, or Firm—Pro-Techtor International

[**] **Term: 14 Years**

[57] **CLAIM**

[21] **Appl. No.: 42,876**

The ornamental design for a waist bag, as shown and
decribed.

[22] **Filed: Aug. 18, 1995**

[51] **LOC (6) Cl. 03-01**

[52] **U.S. Cl. D3/226**

[58] **Field of Search** D3/215, 224, 226,
D3/232; 224/151, 226, 202, 227, 148, 228;
206/315.11

DESCRIPTION

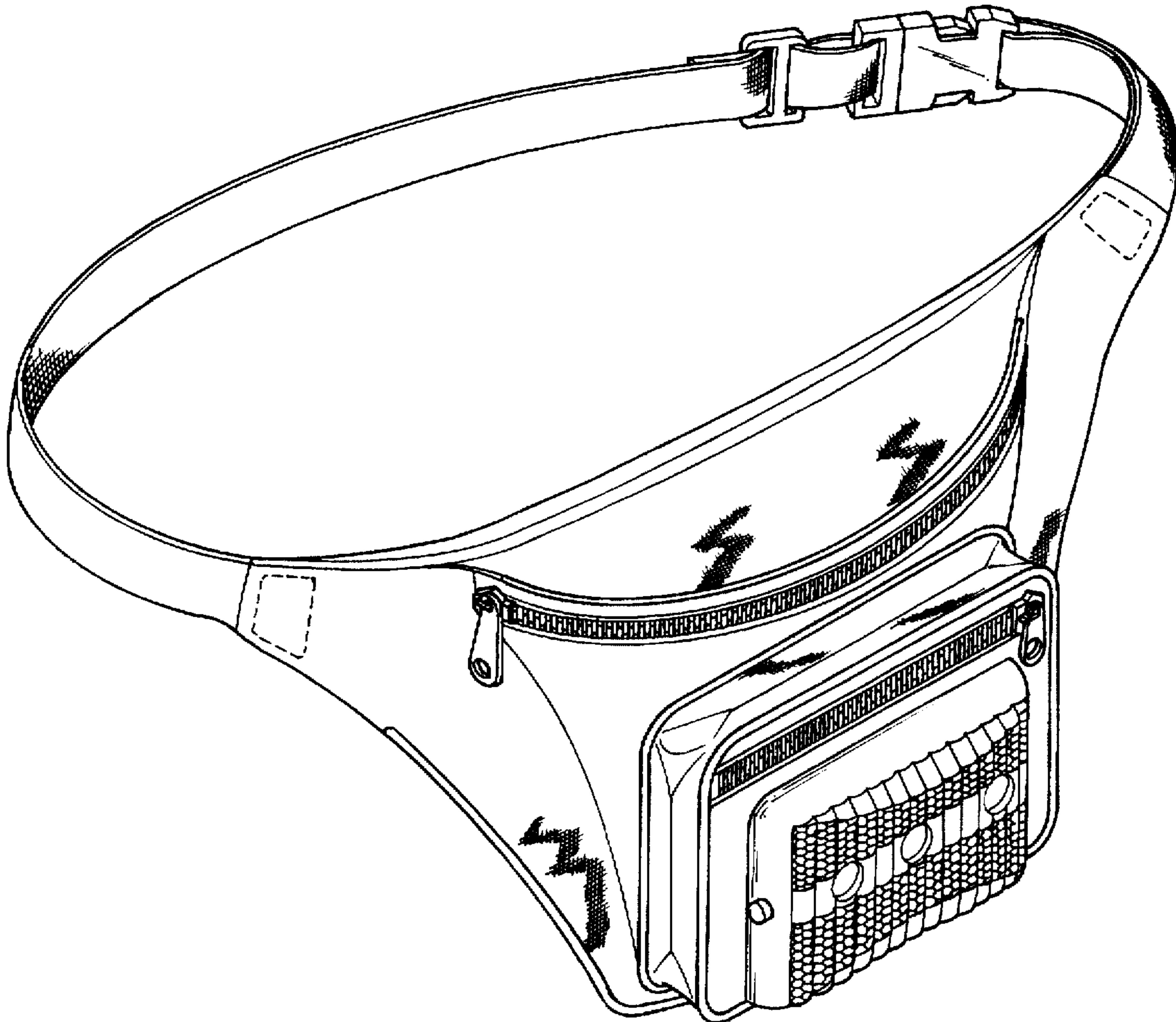
FIG. 1 is a perspective of a waist bag showing my design;
FIG. 2 is a front elevational view thereof;
FIG. 3 is a rear elevational view thereof;
FIG. 4 is a left side elevational view thereof;
FIG. 5 is a right side elevational view thereof;
FIG. 6 is a top plan view thereof; and,
FIG. 7 is a bottom plan view thereof.

[56] **References Cited**

U.S. PATENT DOCUMENTS

D. 350,025 8/1994 Rolle D3/226
5,170,919 12/1992 Desantis et al. 224/228 X

1 Claim, 4 Drawing Sheets



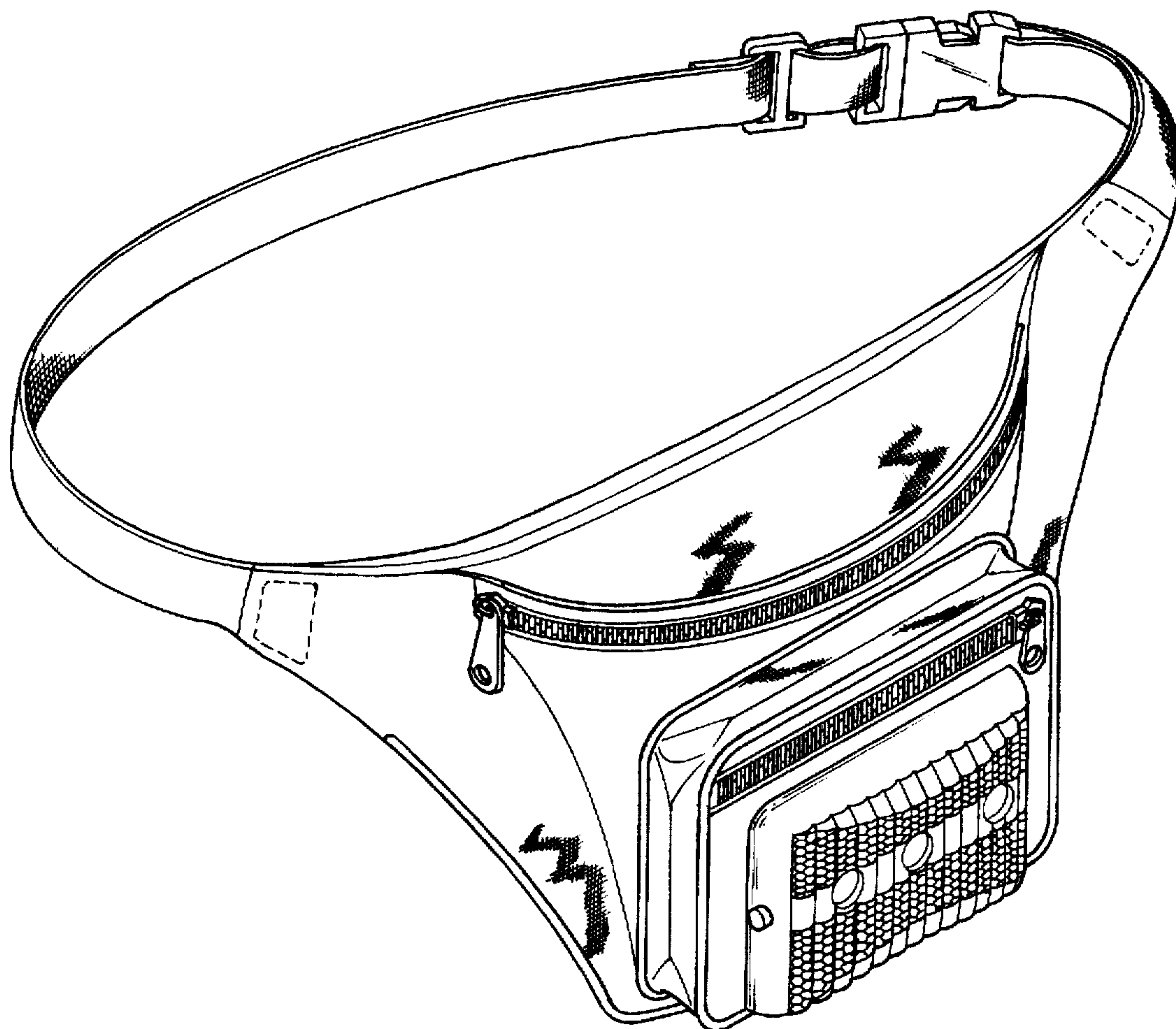


FIG. 1

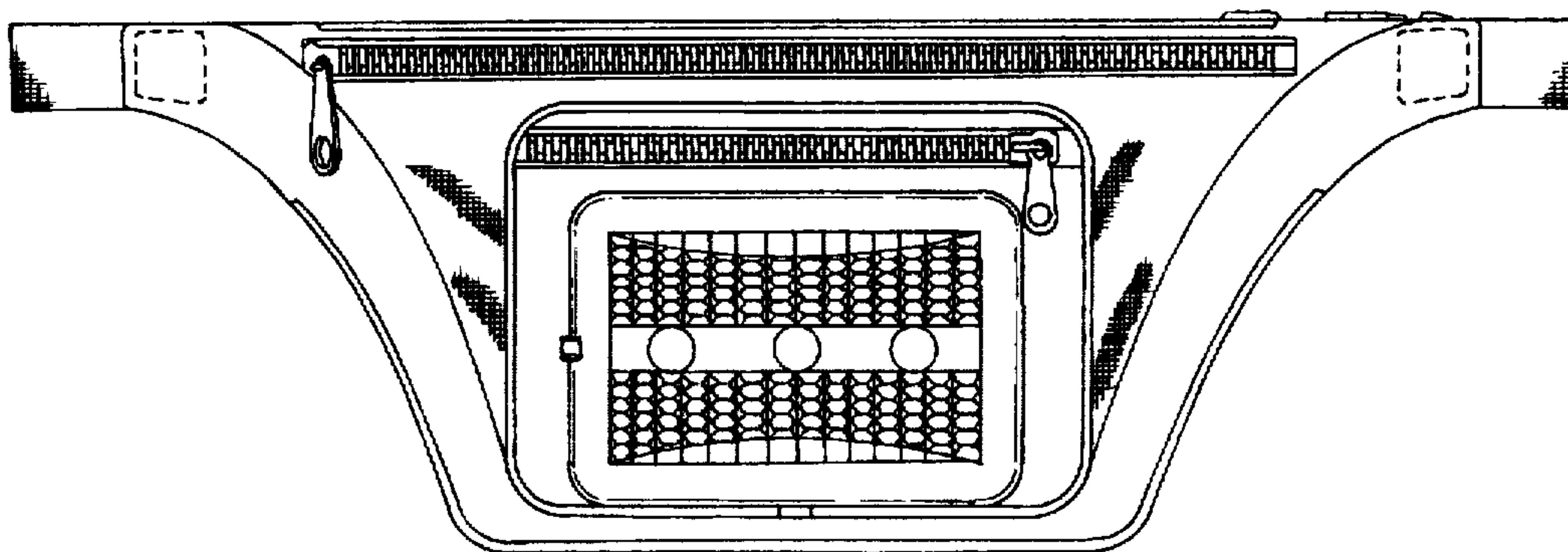


FIG. 2

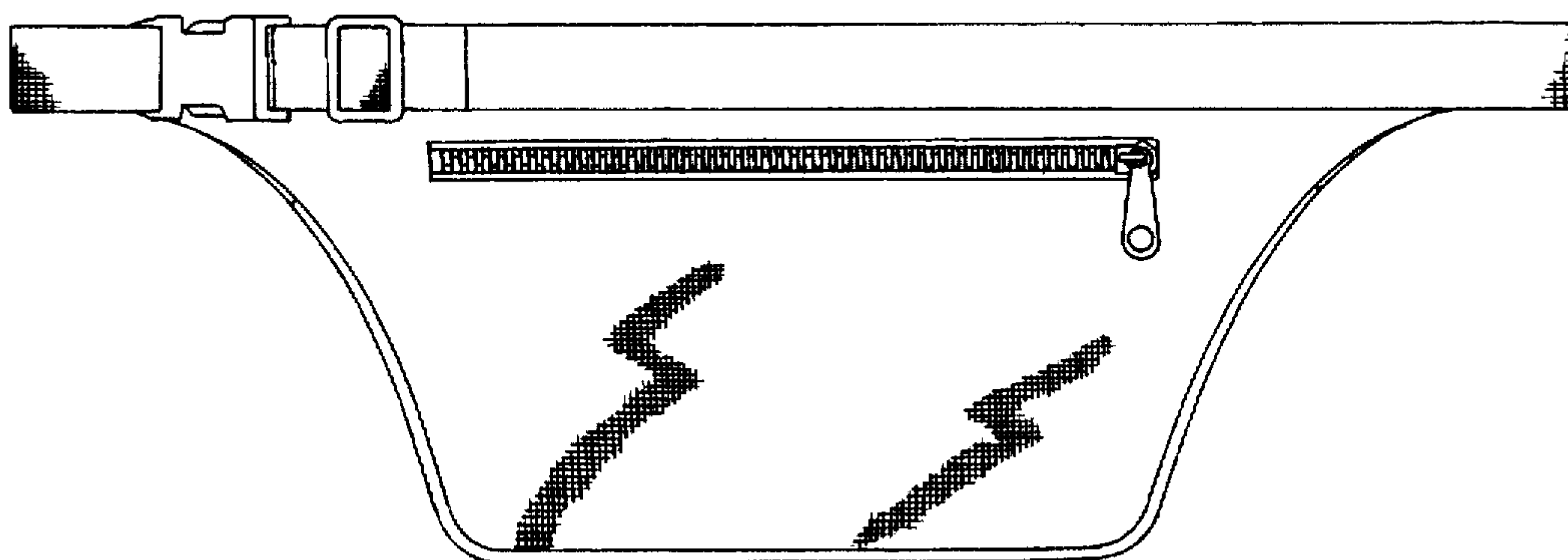


FIG. 3

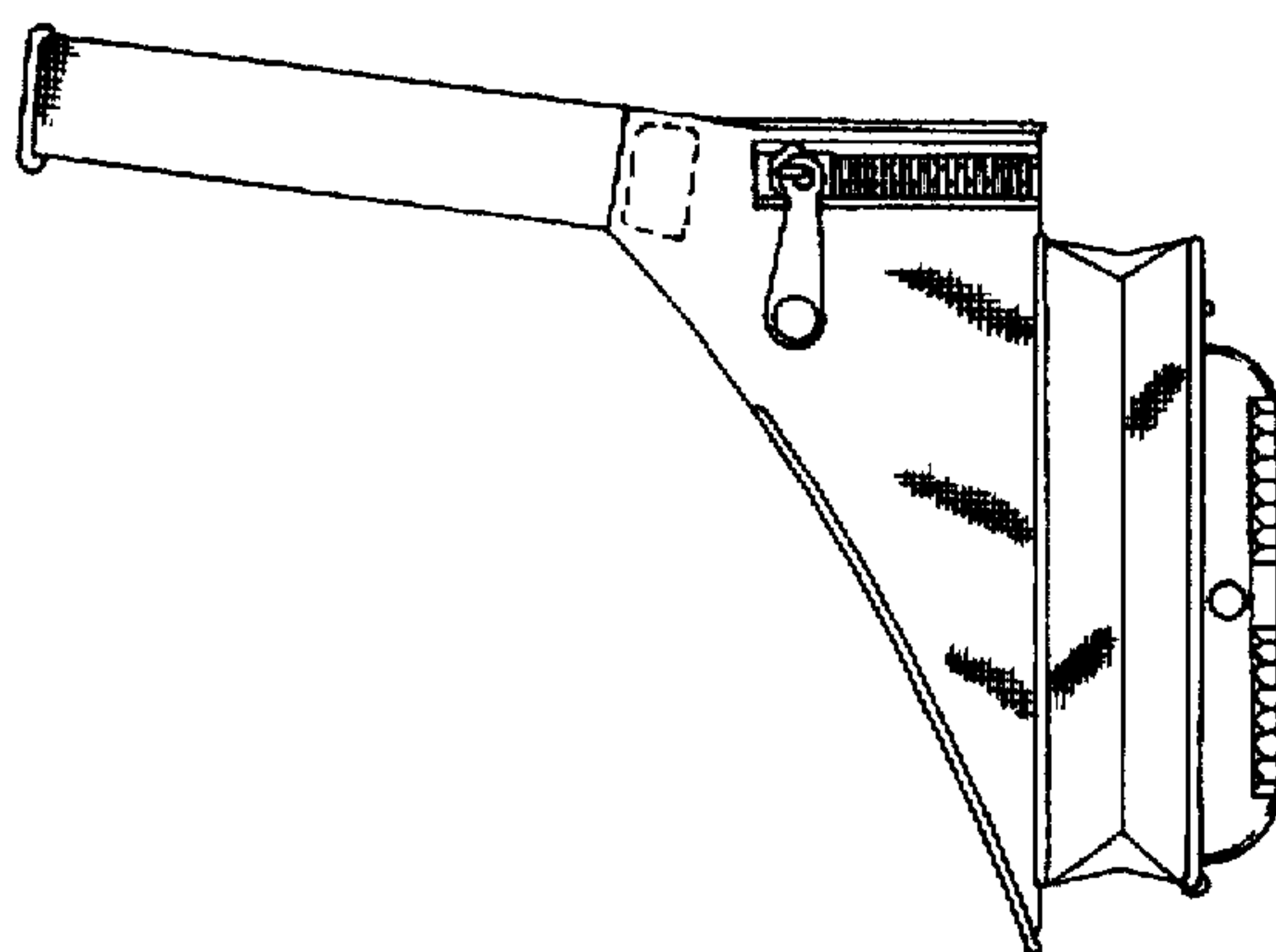


FIG. 4

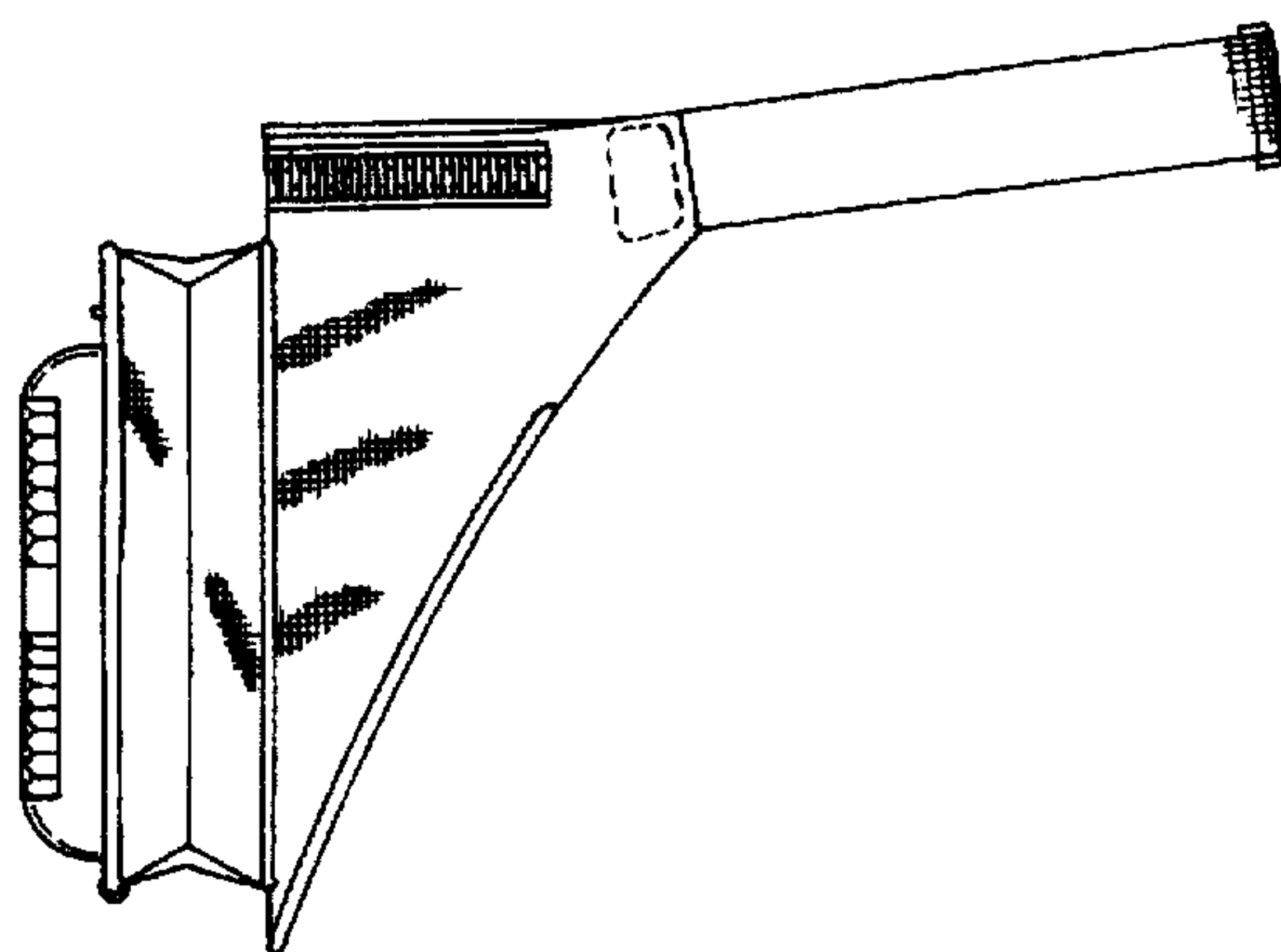


FIG. 5

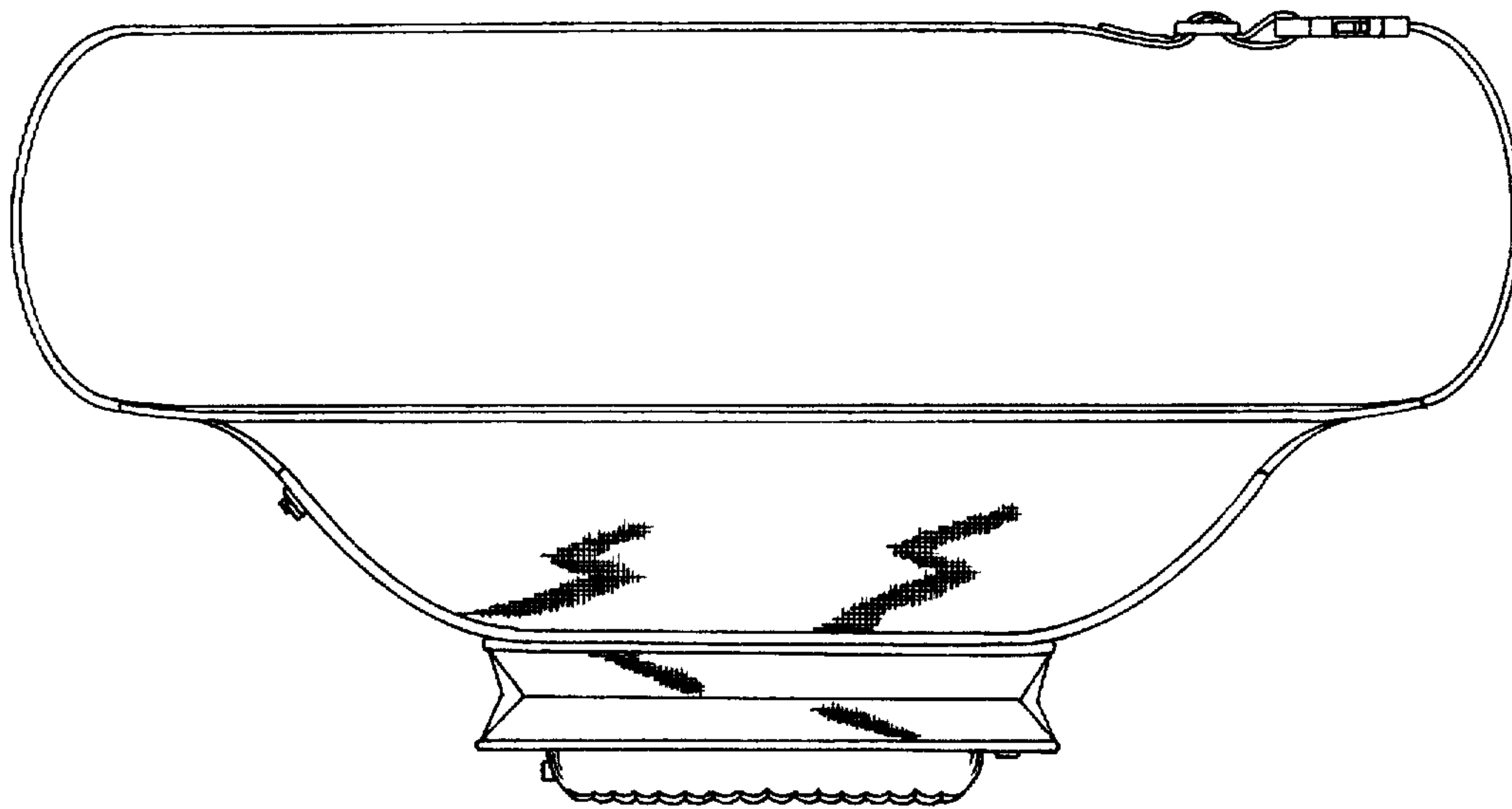


FIG. 6

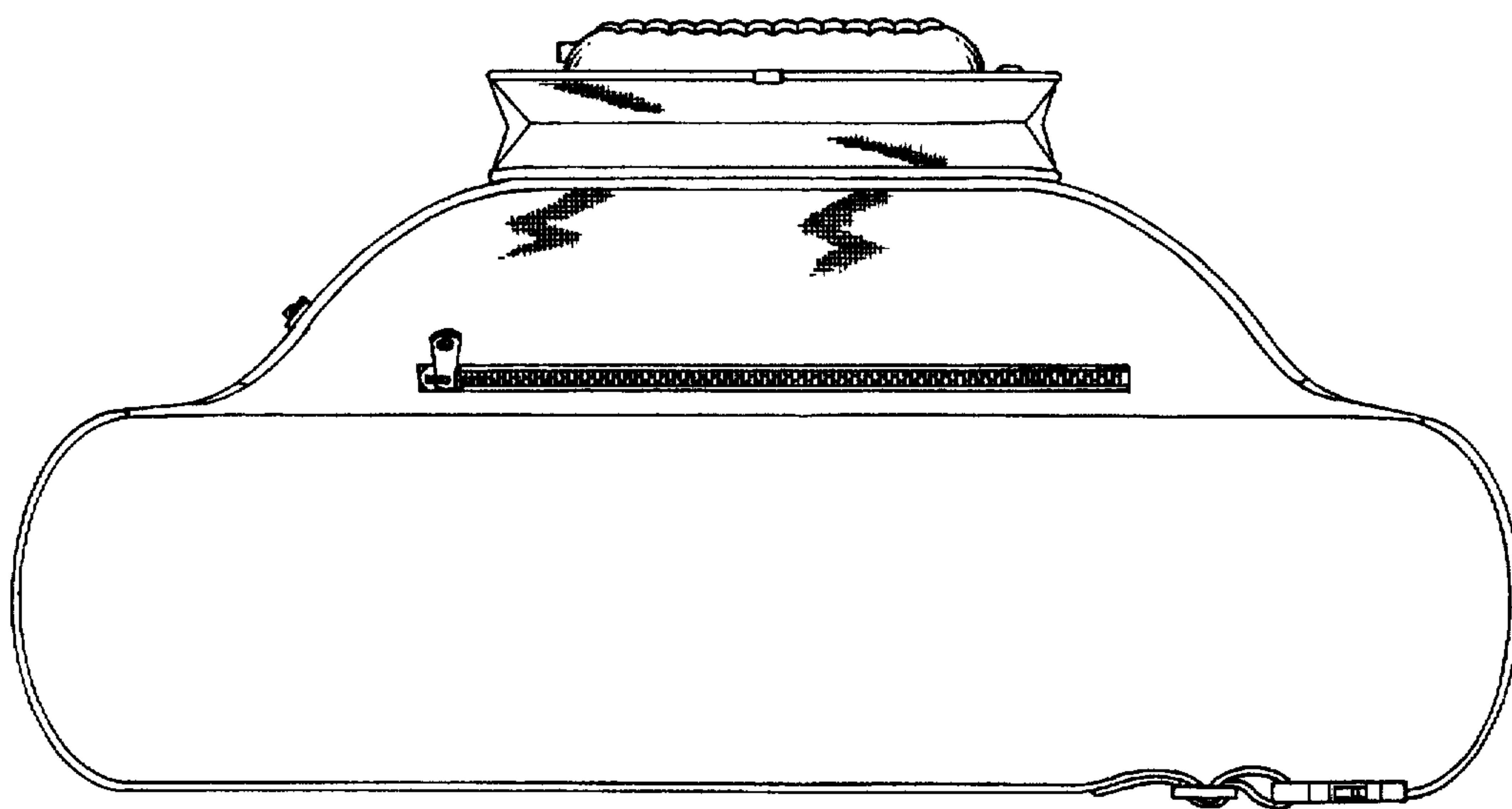


FIG. 7