



US00D395159S

United States Patent [19]
Santos

[11] **Patent Number: Des. 395,159**

[45] **Date of Patent: **Jun. 16, 1998**

[54] **FLASHING LIGHT TAXI ALERT UMBRELLA**

D. 353,041 12/1994 Stenberg D3/5
4,872,468 10/1989 Cole 135/33.2

[76] **Inventor: Juan Santos, 39 Driftwood Dr., Parlin, N.J. 08859**

Primary Examiner—Doris V. Coles
Assistant Examiner—Catherine R. Oliver

[**] **Term: 14 Years**

[57] **CLAIM**

[21] **Appl. No.: 64,401**

The ornamental design for a flashing light taxi alert umbrella, as shown.

[22] **Filed: Dec. 31, 1996**

DESCRIPTION

[51] **LOC (6) Cl. 03-03**

[52] **U.S. Cl. D3/5**

[58] **Field of Search D3/5, 6, 14, 17, D3/12; 135/15.1, 16, 17, 18, 19.5, 44, 25.4**

FIG. 1 is a front elevational view of the flashing light taxi alert umbrella showing my new design;
FIG. 2 is a rear elevational view thereof;
FIG. 3 is a left side view thereof;
FIG. 4 is a right side view thereof;
FIG. 5 is a top plan view thereof; and,
FIG. 6 is a bottom plan view.

[56] **References Cited**

U.S. PATENT DOCUMENTS

- D. 272,676 2/1984 MacDonald D3/5
- D. 336,361 6/1993 Stanwood et al. D3/5
- D. 341,831 11/1993 Mozdzanowski D3/5

1 Claim, 3 Drawing Sheets

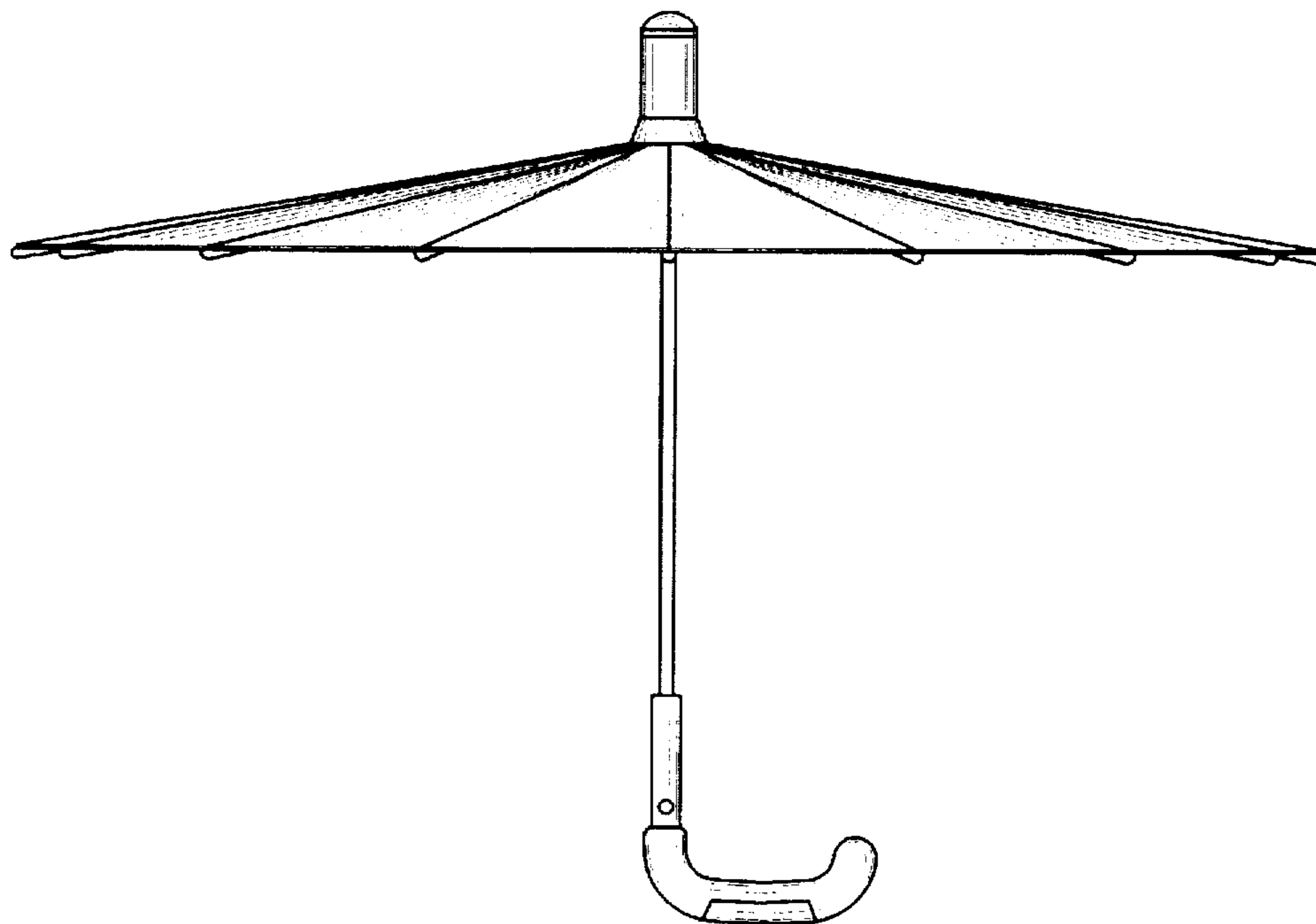


FIG. 1

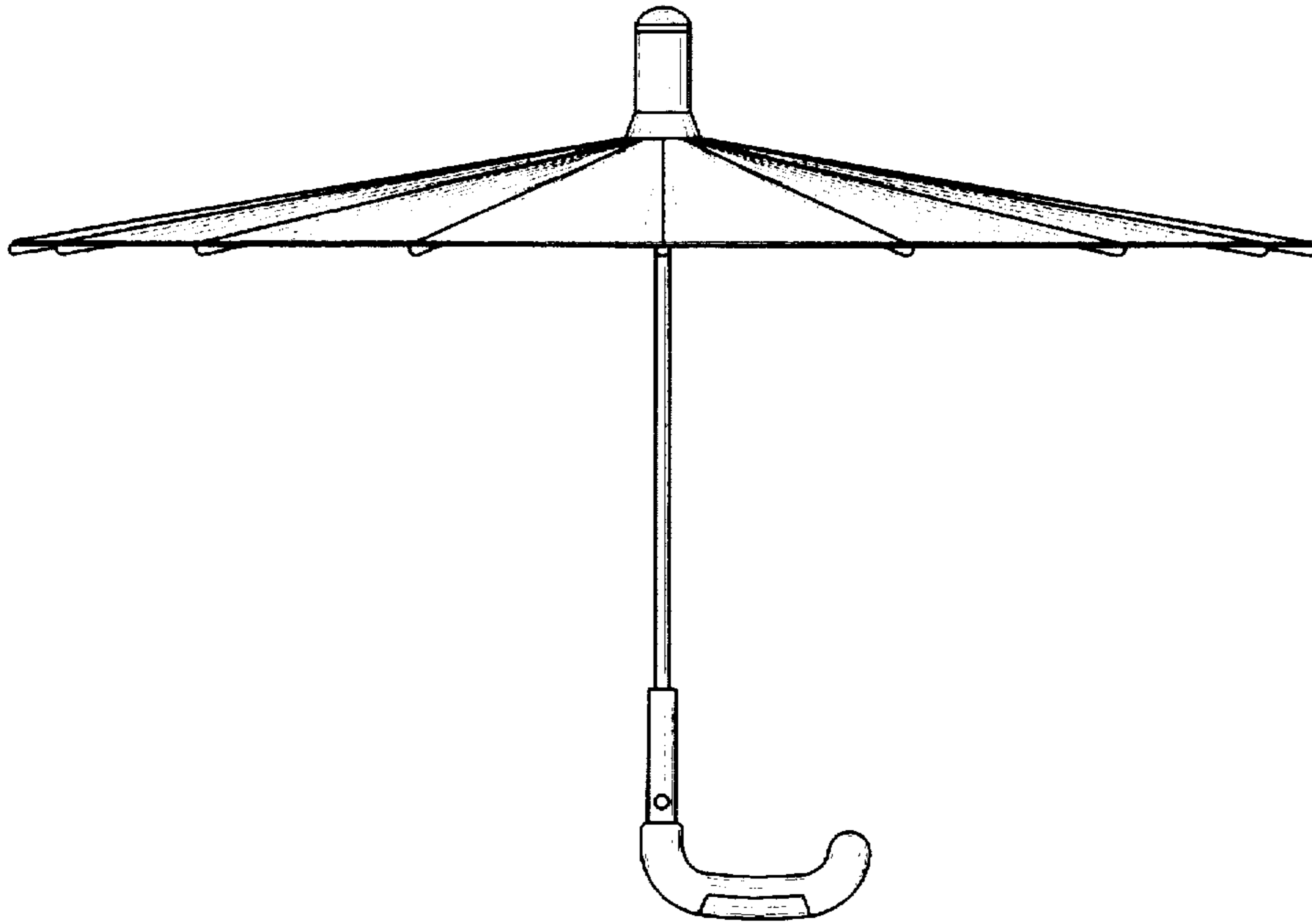


FIG. 2

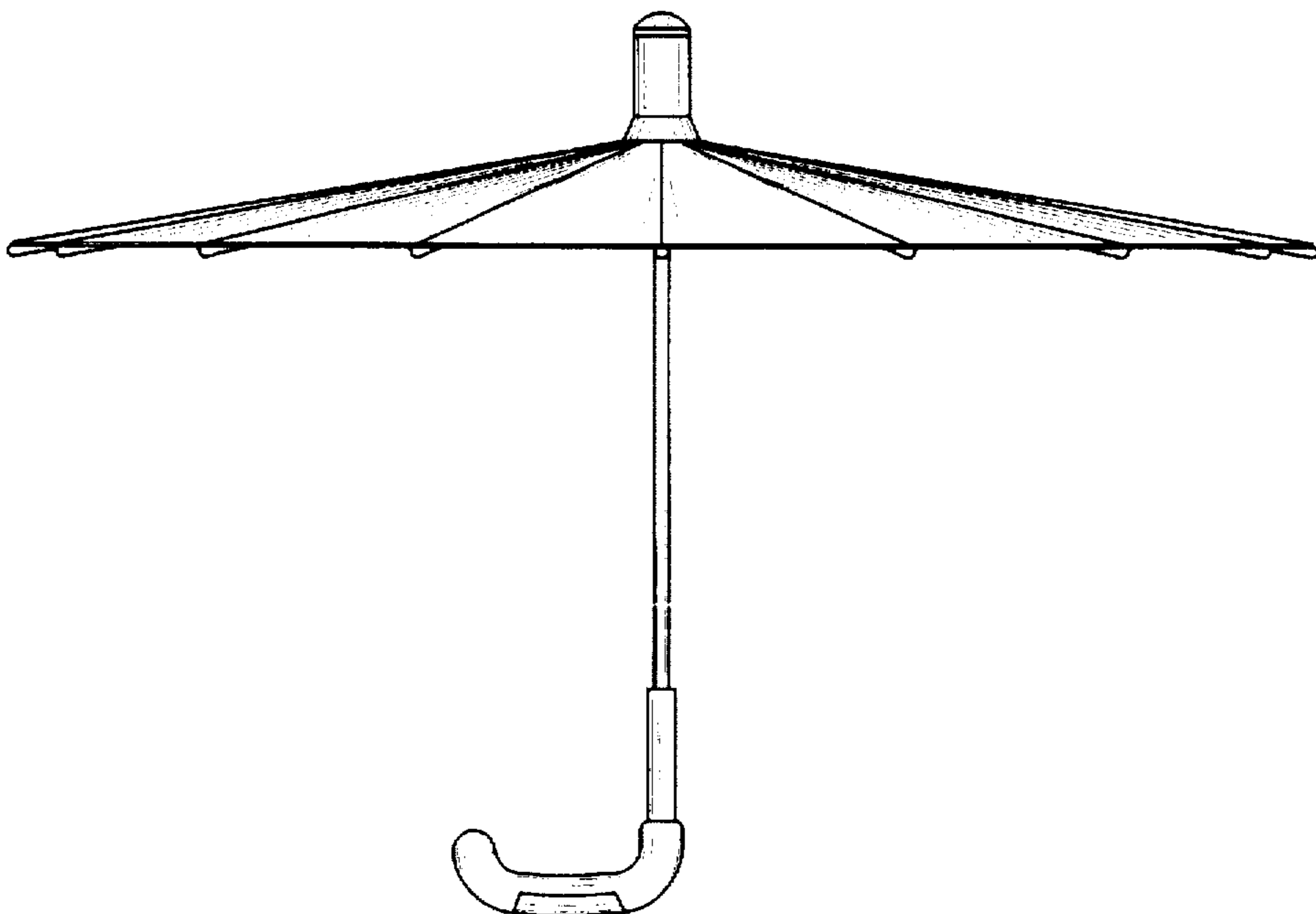


FIG. 3

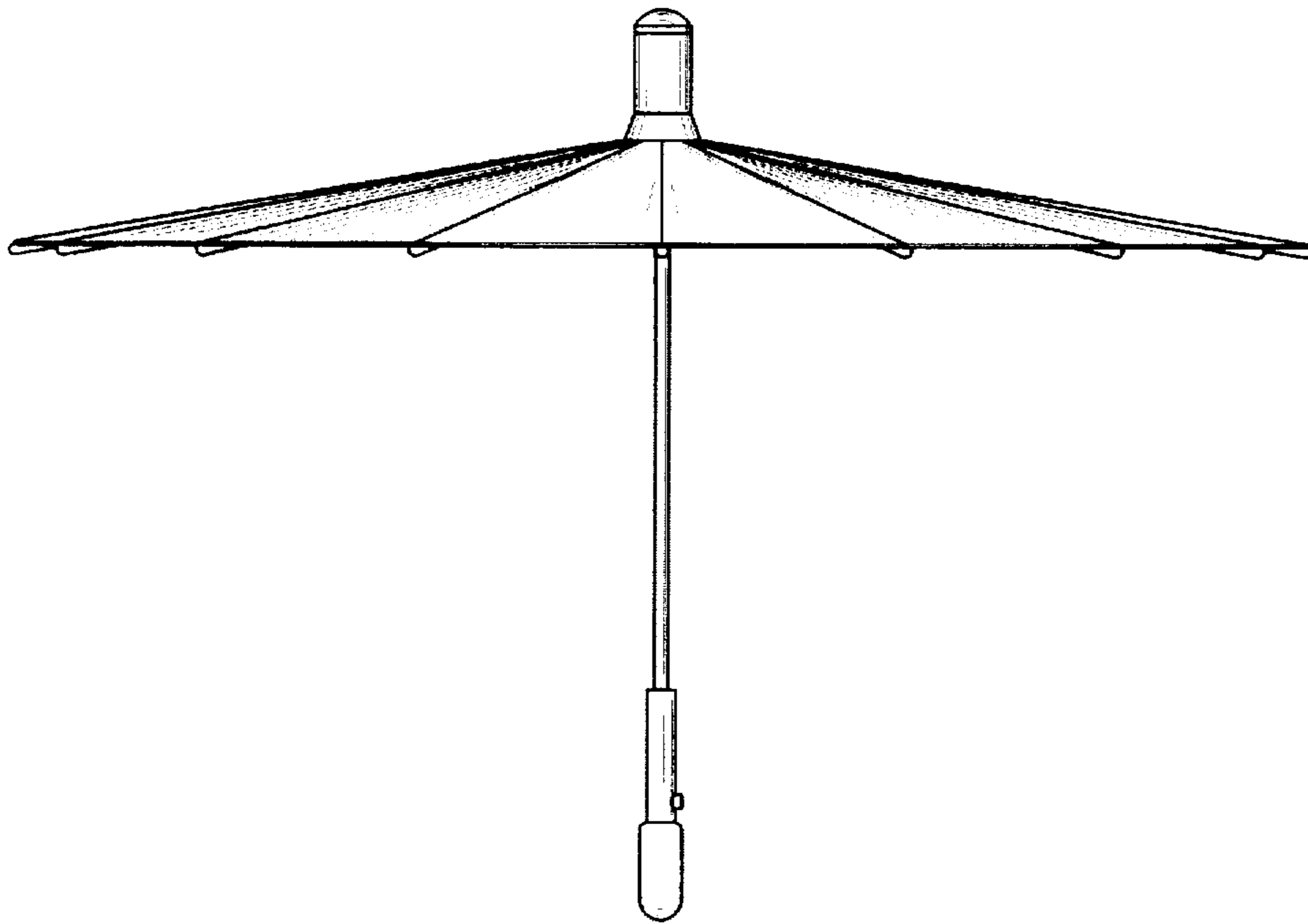


FIG. 4

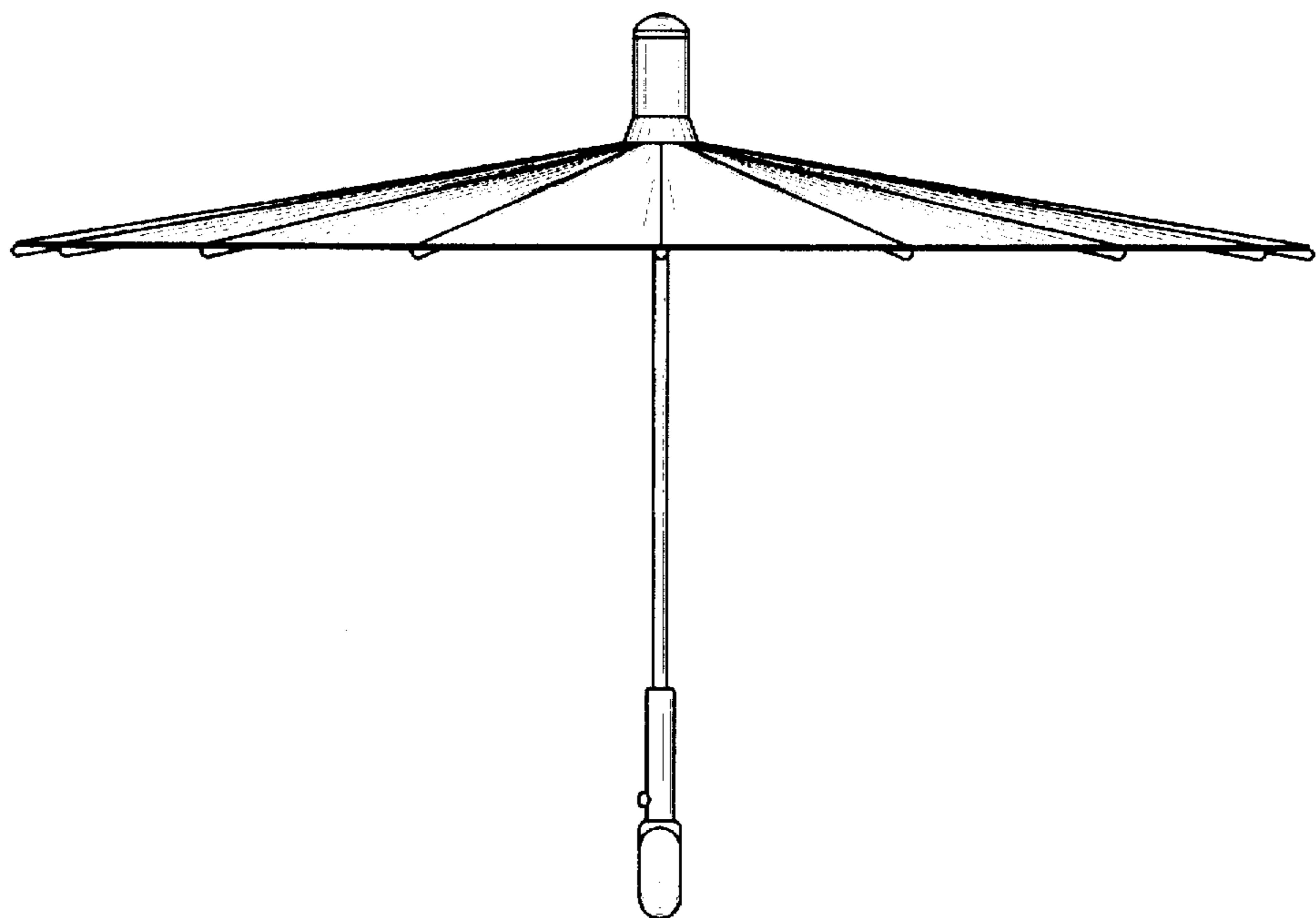


FIG. 5

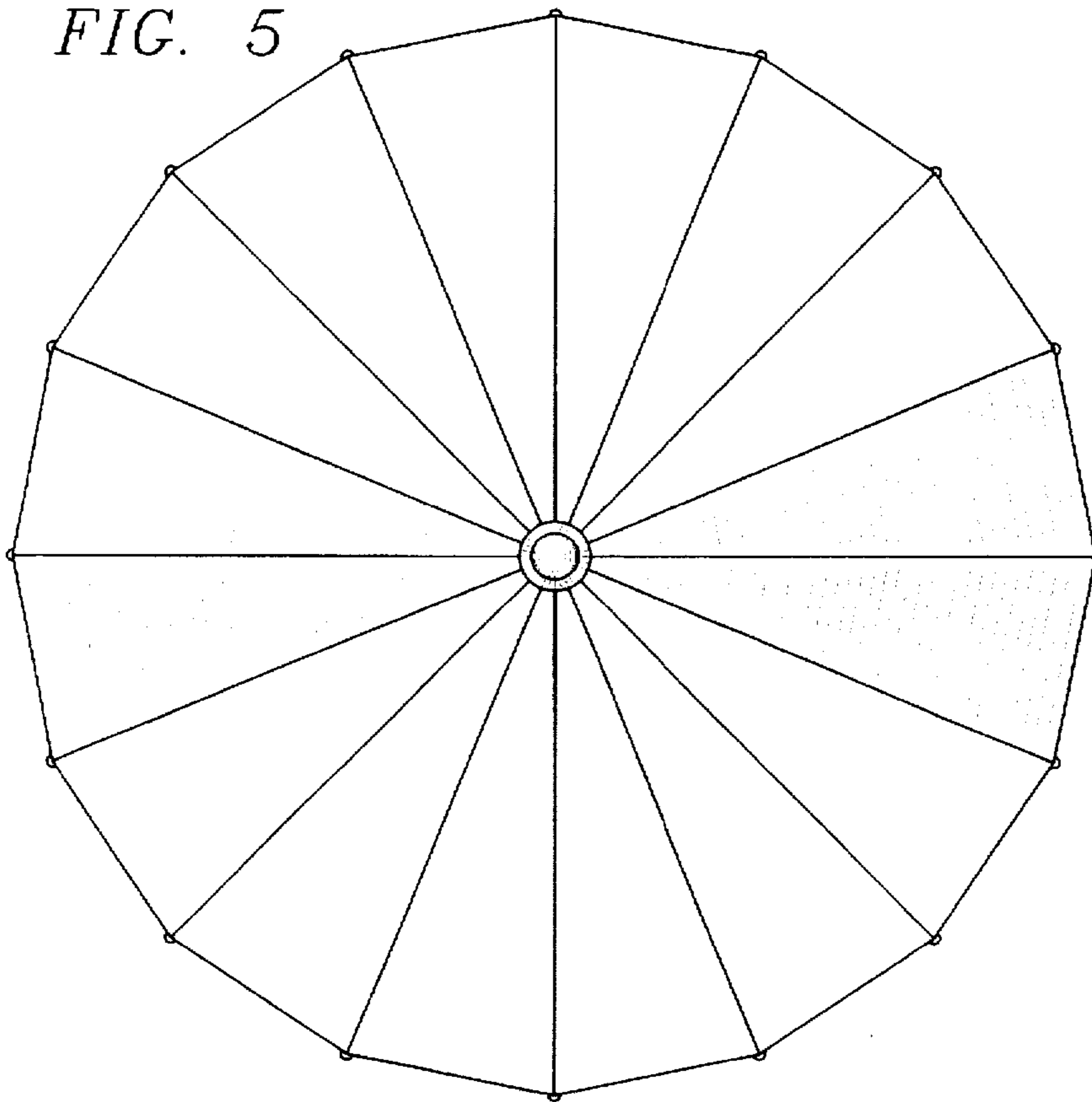


FIG. 6

