



US00D395136S

United States Patent [19]

[11] Patent Number: Des. 395,136

Ropiak et al.

[45] Date of Patent: **Jun. 16, 1998

[54] FLEXIBLE MEDICAL FLUID CONTAINER

[75] Inventors: Irene K. Ropiak, Somerset; John J. Niedospial, Jr., Burlington, both of N.J.

[73] Assignee: Bracco Diagnostics, Inc., Princeton, N.J.

[**] Term: 14 Years

[21] Appl. No.: 61,709

[22] Filed: Oct. 29, 1996

[51] LOC (6) Cl. 10-05

[52] U.S. Cl. D24/118

[58] Field of Search D24/118, 207, D24/111, 117, 108; D9/305; 206/438; 604/327, 317, 322, 403, 408, 410; 222/107, 105, 92; 128/DIG. 24, 295, 296; 383/96

D. 303,574	9/1989	Steer .	
D. 303,575	9/1989	Steer .	
D. 306,759	3/1990	D'Alo .	
D. 323,389	1/1992	Aoki et al. .	
D. 347,993	6/1994	Lane et al. .	
D. 354,129	1/1995	Salvadori .	
D. 354,906	1/1995	Lane, Jr. et al. .	
D. 380,543	7/1997	Piontele et al.	D24/108
D. 385,032	10/1997	Niedospial, Jr. et al.	D24/118
4,029,097	6/1977	LeRoy	128/276
5,234,420	8/1993	Horton et al.	604/327
5,480,394	1/1996	Ishikawa	604/327

Primary Examiner—Pamela Burgess
Attorney, Agent, or Firm—Imre Balogh

[57] CLAIM

The ornamental design for a flexible medical fluid container, as shown and described.

DESCRIPTION

FIG. 1 is a front elevational view of a flexible medical fluid container showing our new design; FIG. 2 is a right side elevational view thereof; FIG. 3 is a left side elevational view thereof; FIG. 4 is a rear elevational view thereof; FIG. 5 is a top plan view thereof; and, FIG. 6 is a bottom plan view thereof.

[56] References Cited

U.S. PATENT DOCUMENTS

D. 192,987	1/1962	Waldman .
D. 200,034	1/1965	Zytke et al. .
D. 229,786	1/1974	Kinkel et al. .
D. 284,035	5/1986	Leeuwe et al. .
D. 298,567	11/1988	Morris .
D. 302,306	7/1989	Steer .
D. 302,307	7/1989	Steer .

1 Claim, 2 Drawing Sheets

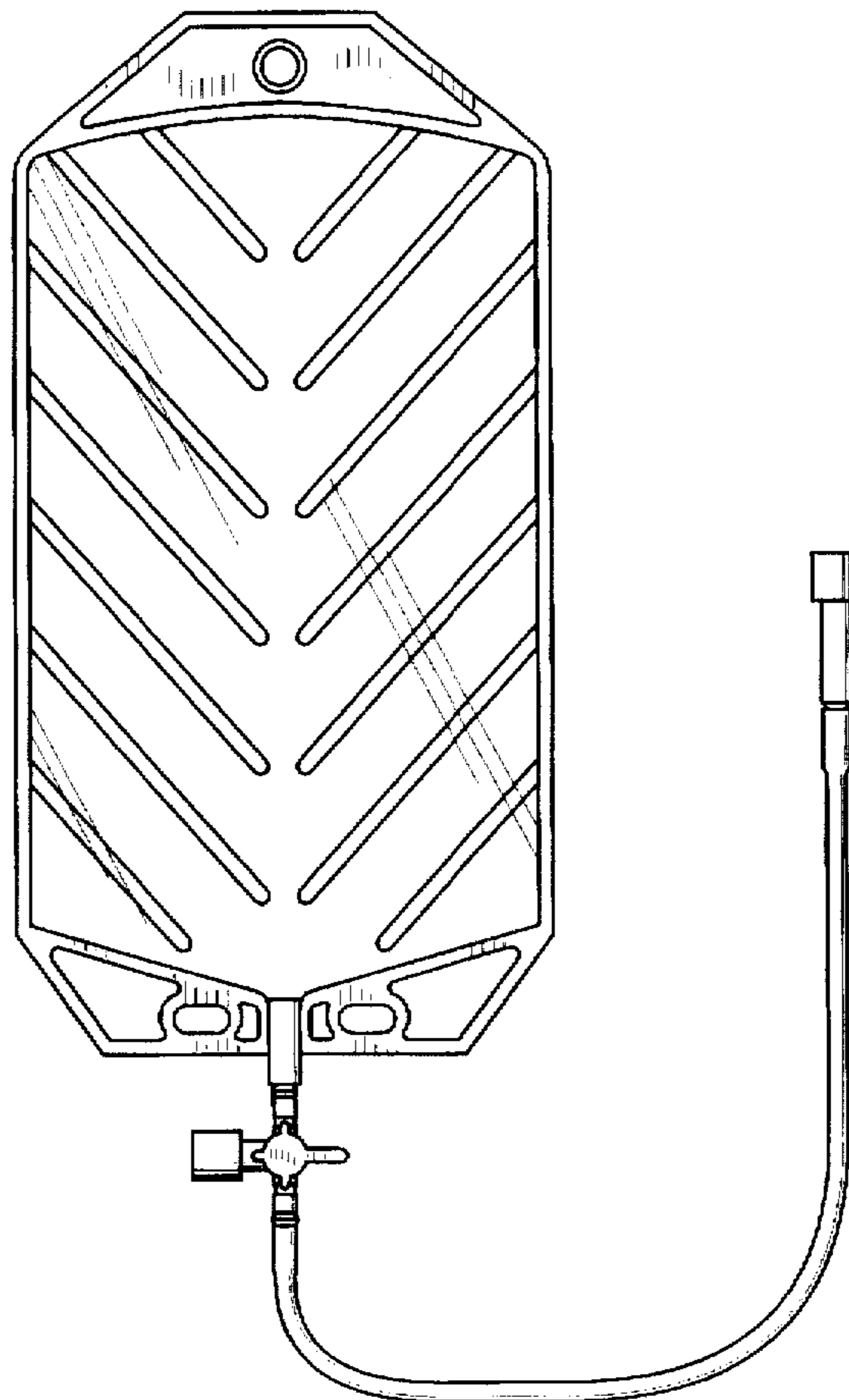


FIG. 1

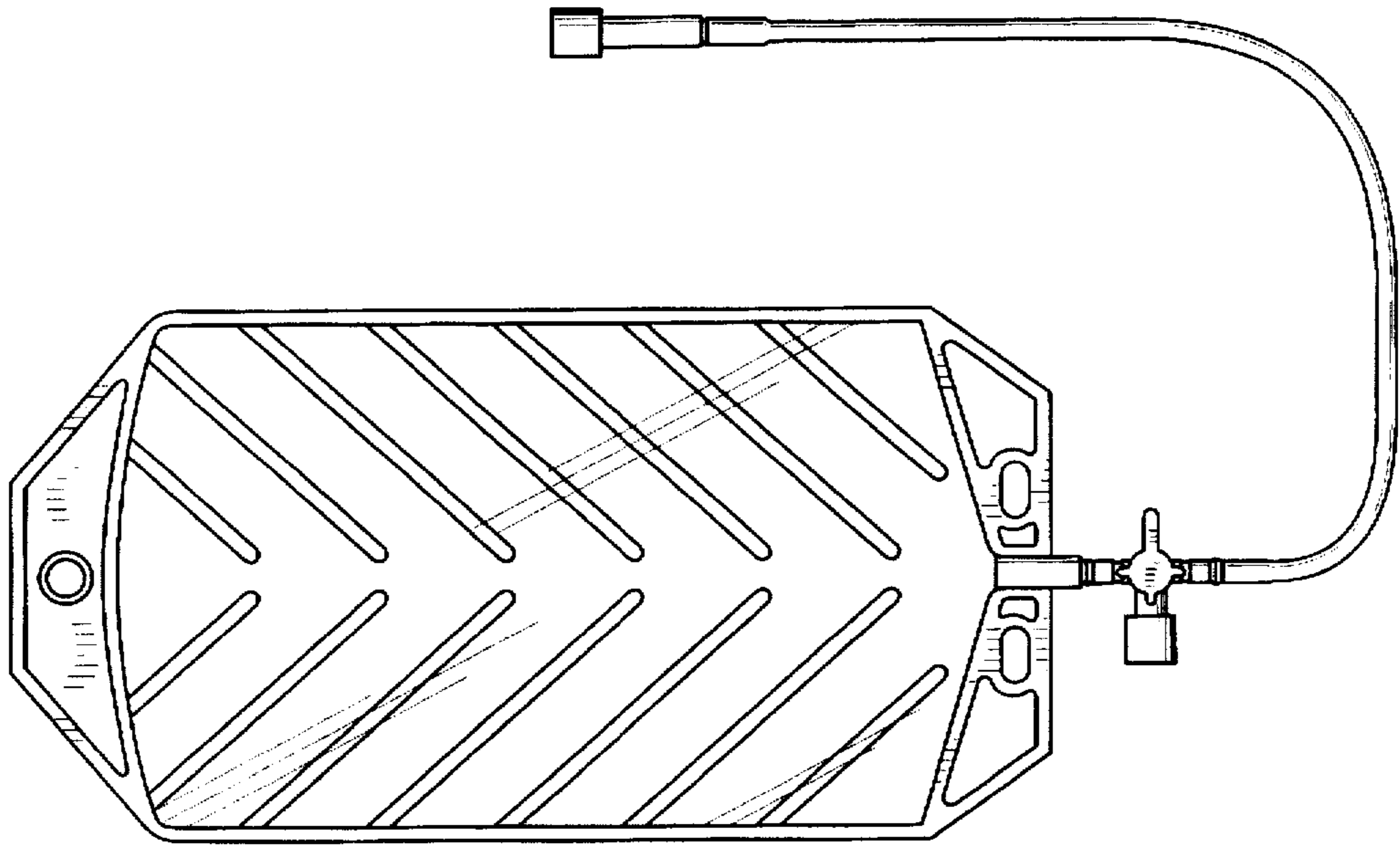


FIG. 2

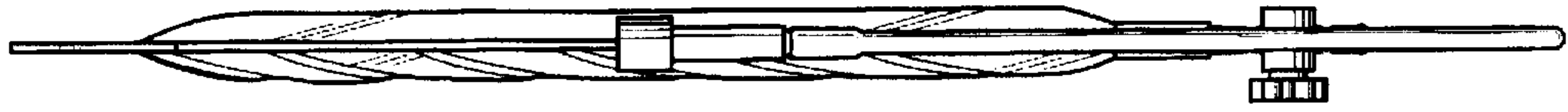


FIG. 3

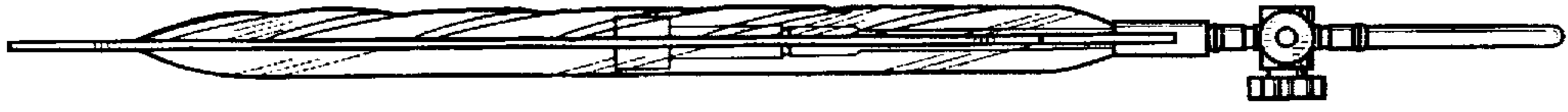


FIG. 5



FIG. 4

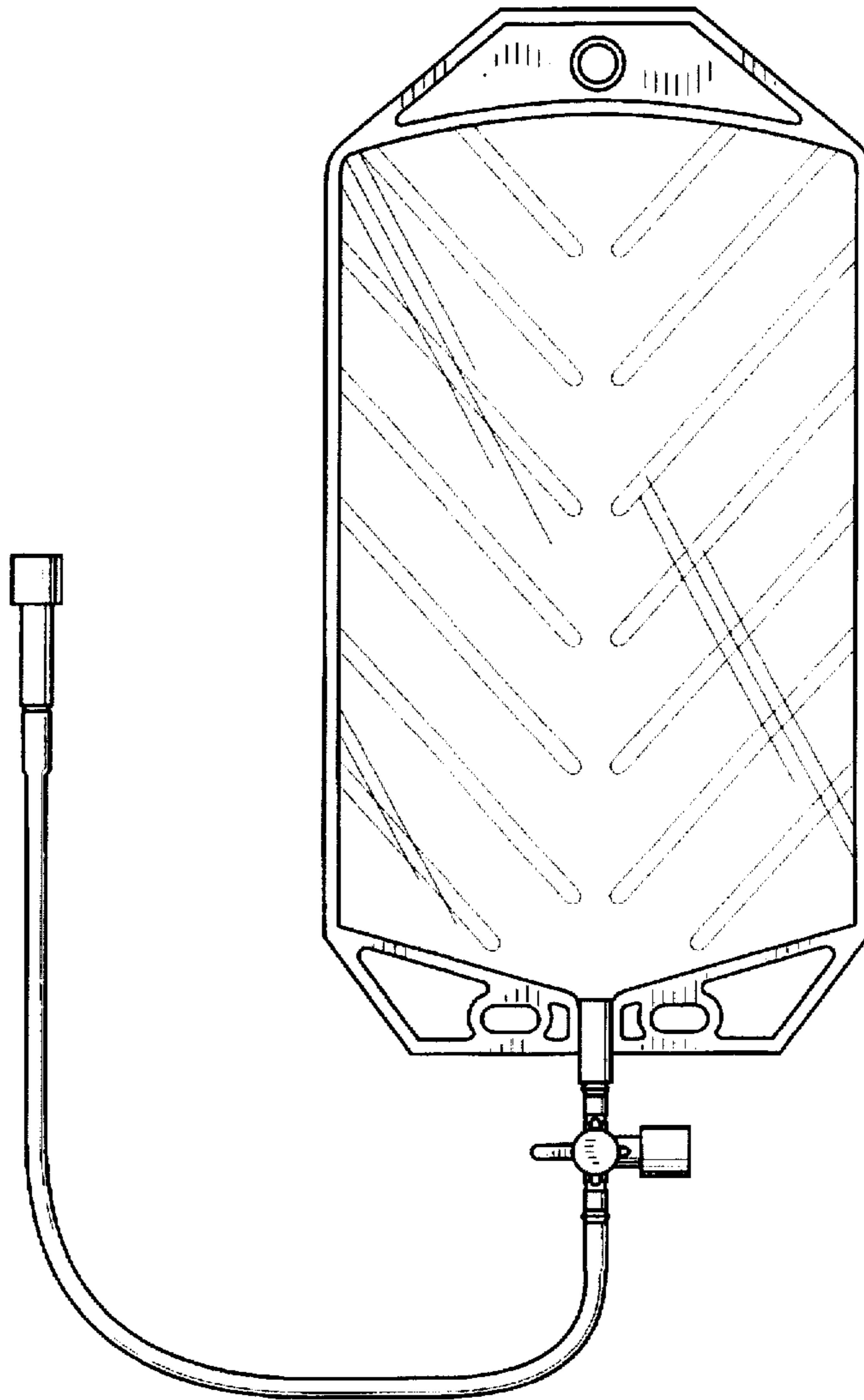


FIG. 6

