



US00D395133S

United States Patent [19]

Mikami et al.

[11] Patent Number: **Des. 395,133**

[45] Date of Patent: ****Jun. 9, 1998**

[54] **COIN DOOR ASSEMBLY**

[75] Inventors: **Mitsugu Mikami; Takashi Imaisumi,**
both of Saitama-Ken, Japan

[73] Assignee: **Kabushiki Kaisha Nippon Conlux,**
Tokyo, Japan

[**] Term: **14 Years**

[21] Appl. No.: **43,321**

[22] Filed: **Aug. 31, 1995**

[51] LOC (6) Cl. **99-00**

[52] U.S. Cl. **D99/43**

[58] Field of Search D99/34, 43; D20/1,
D20/9; 194/350, 217, 346, 344

[56] **References Cited**

U.S. PATENT DOCUMENTS

D. 272,367	1/1984	Bartlett	D20/9
D. 276,924	12/1984	Bellis	D20/9
D. 317,019	5/1991	Yukimoto et al.	D20/9
D. 351,193	10/1994	Abe	D20/9
D. 351,194	10/1994	Gorst et al.	D20/9
D. 351,421	10/1994	Abe	D20/9

D. 354,835	1/1995	Brendel	D99/43
4,509,631	4/1985	Kim	194/350
4,629,051	12/1986	Abe	194/346
5,284,235	2/1994	Tanaka	194/344
5,321,961	6/1994	Barberi	194/350 X

OTHER PUBLICATIONS

"Coin Selector", Asahi Seiko Co., Ltd., 6 photograph views.

Primary Examiner—Doris V. Coles

Attorney, Agent, or Firm—Loeb & Loeb LLP

[57] **CLAIM**

The ornamental design for coin door assembly, as shown and described.

DESCRIPTION

FIG. 1 is a front perspective view of a coin door assembly, showing our new design;
 FIG. 2 is a front view thereof;
 FIG. 3 is a right side view thereof;
 FIG. 4 is a rear view thereof;
 FIG. 5 is a left side view thereof;
 FIG. 6 is a top view thereof; and,
 FIG. 7 is a bottom view thereof.

1 Claim, 4 Drawing Sheets

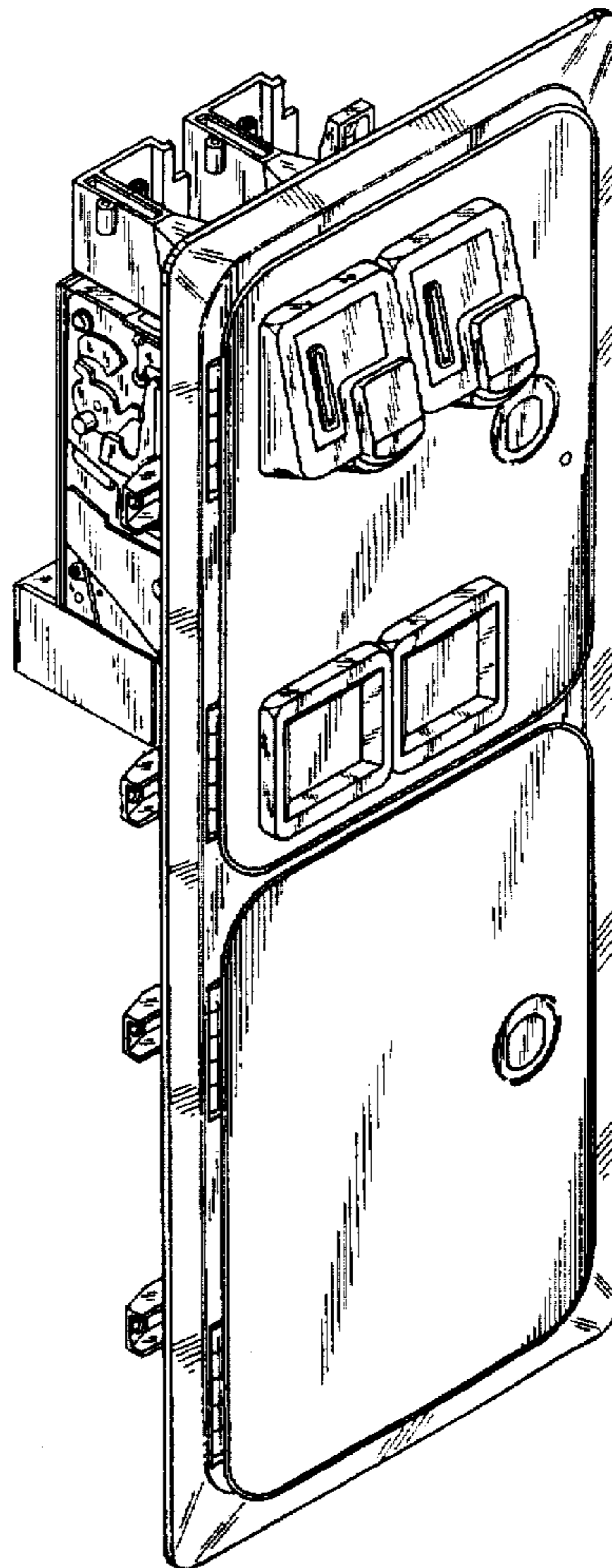


FIG. 1

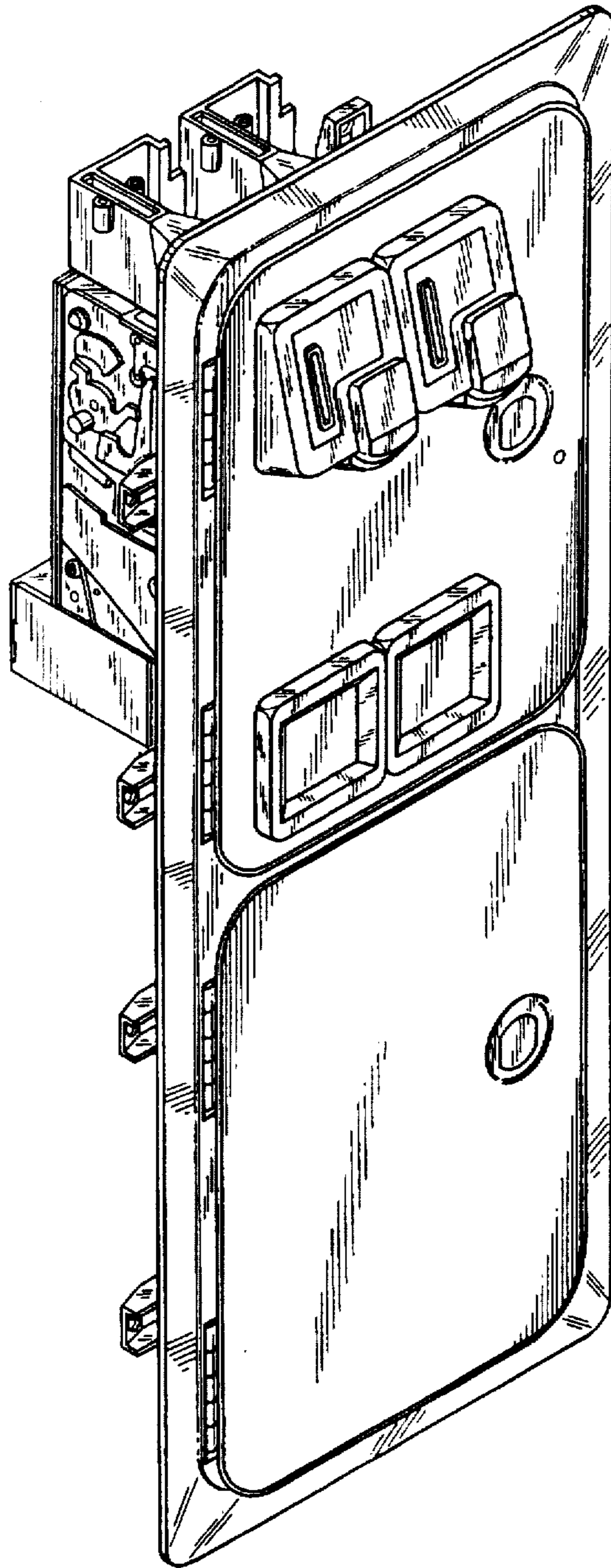


FIG. 2

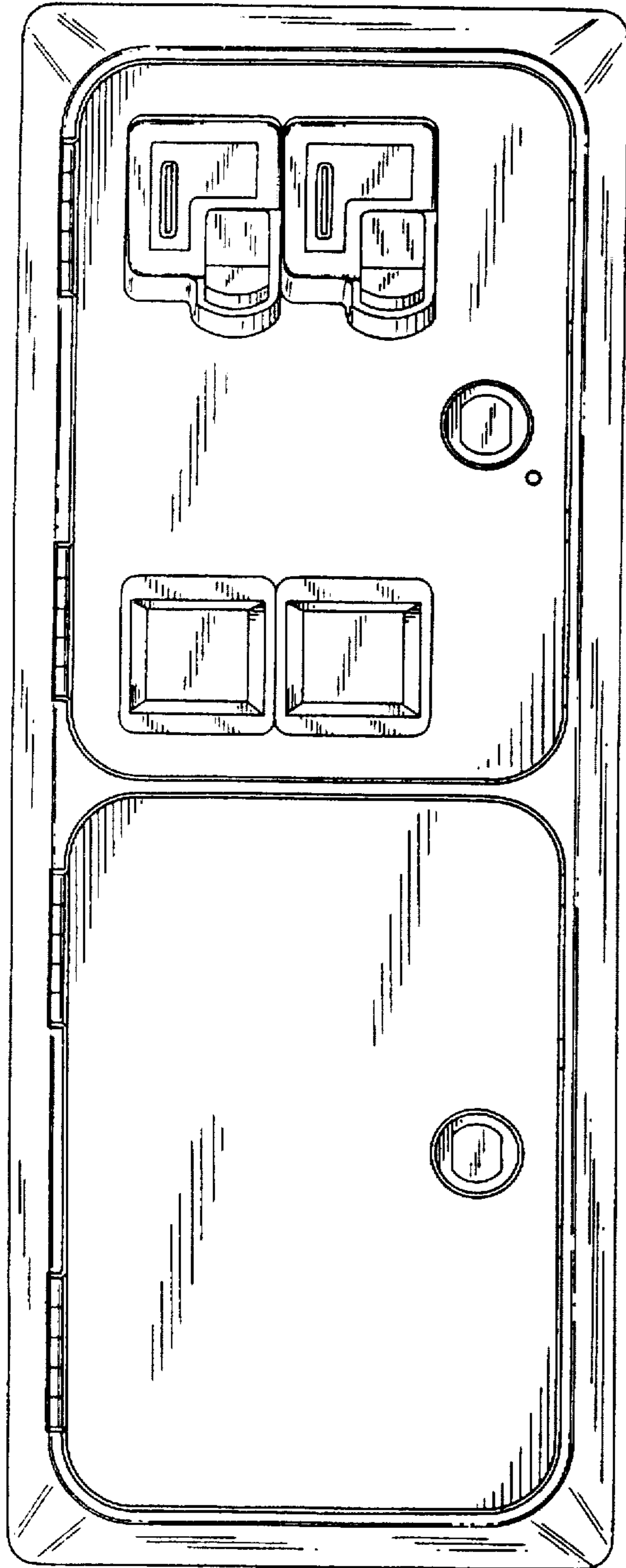


FIG. 3

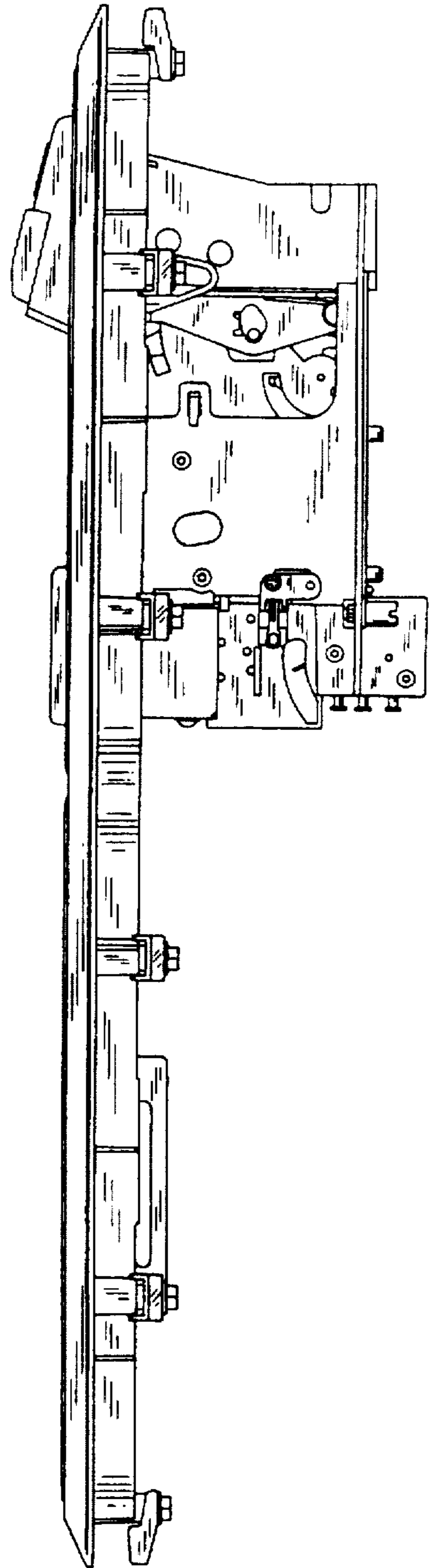


FIG. 4

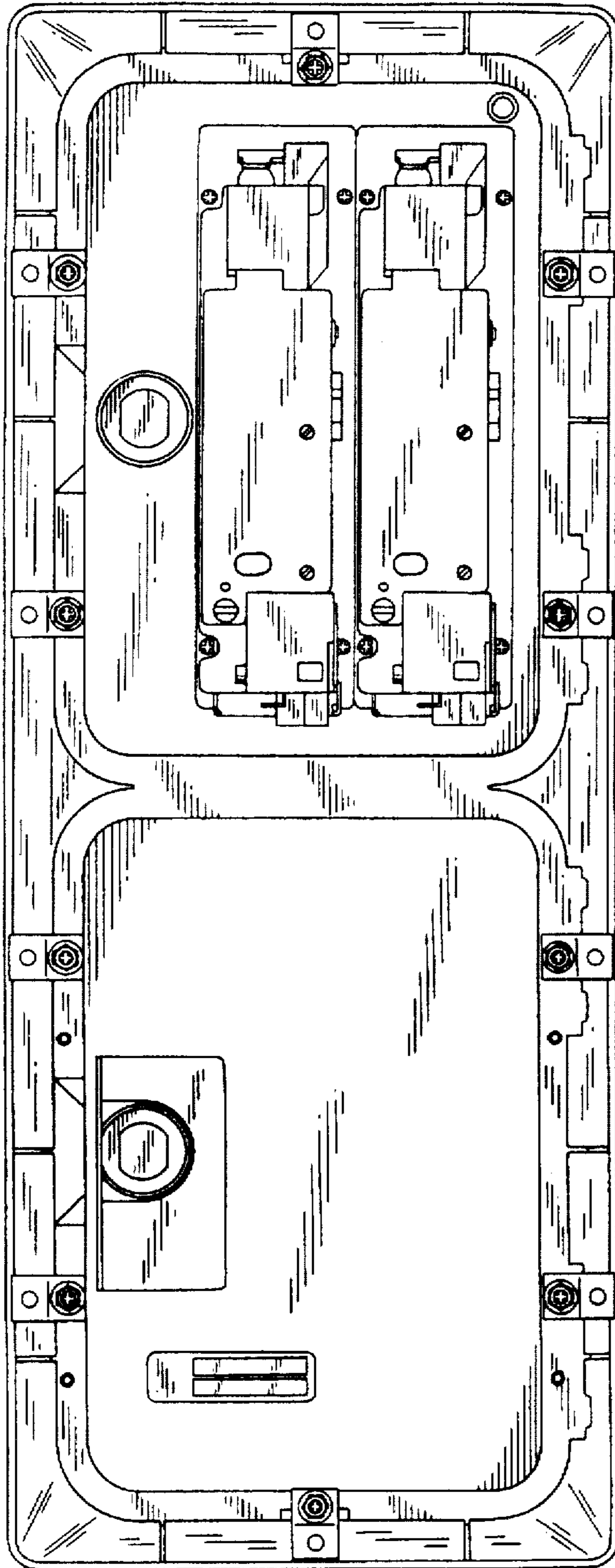


FIG. 5

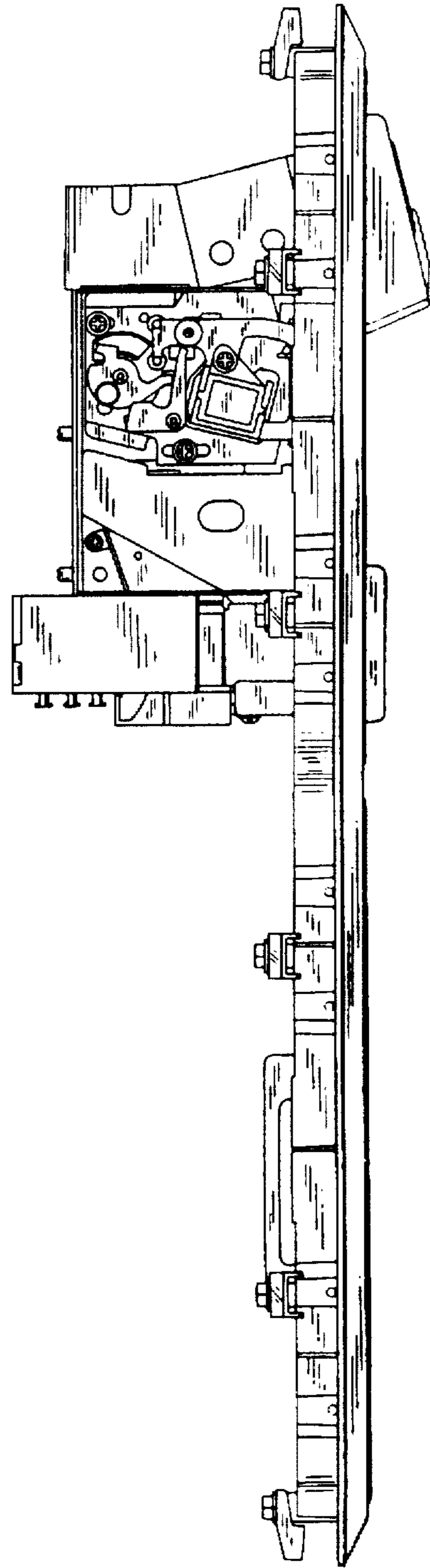


FIG. 6

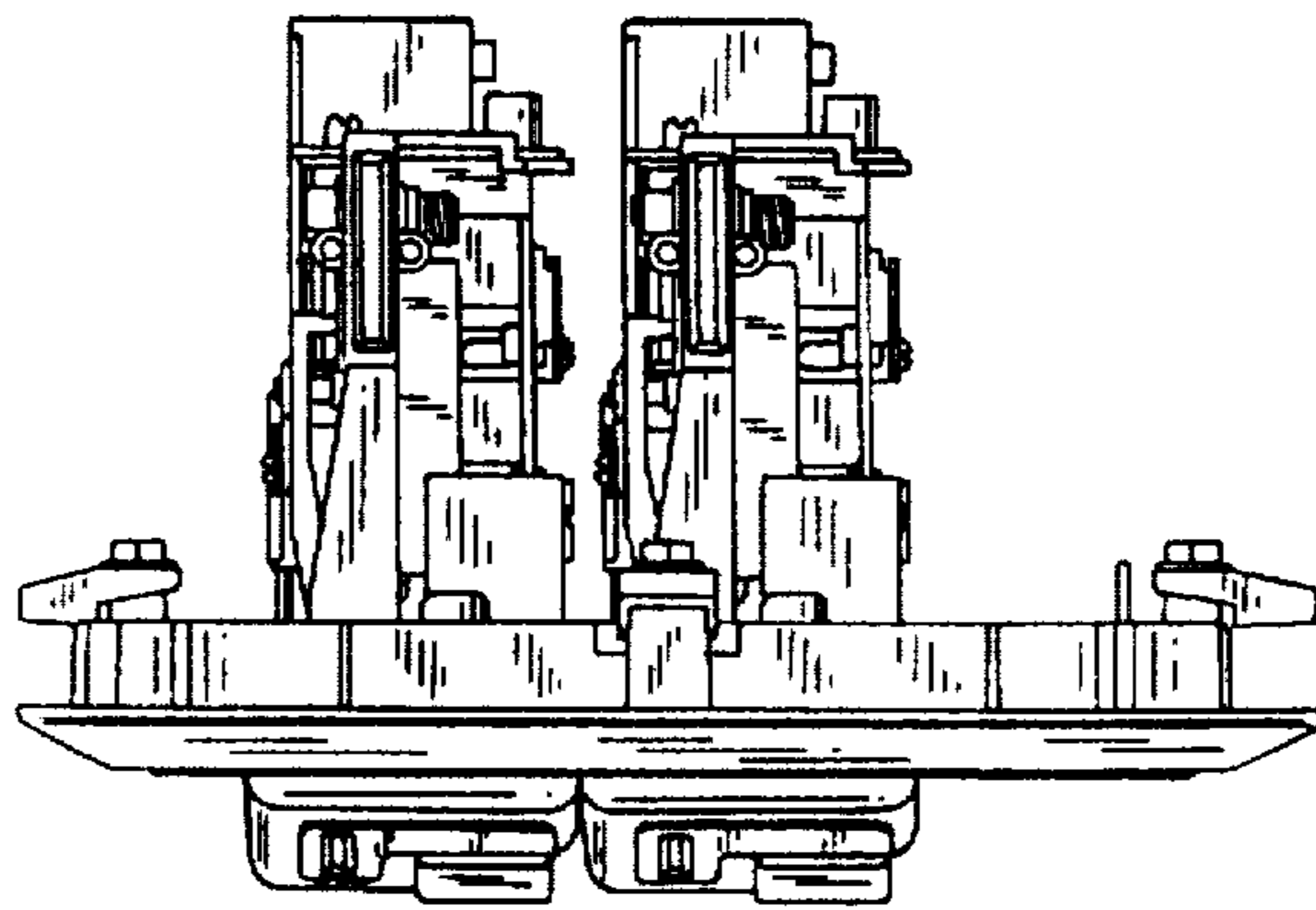


FIG. 7

