



US00D395132S

# United States Patent [19]

[11] Patent Number: **Des. 395,132**

Drew

[45] Date of Patent: **\*\*Jun. 9, 1998**

[54] **COMBINED CANDY CONTAINER AND SAVINGS BANK**

D. 339,890 9/1993 Montgomery ..... D21/201 X  
3,244,420 4/1966 Poynter ..... D21/201 X

[76] Inventor: **David Drew**, 240 N. Branch Rd.,  
Glenview, Ill. 60025

*Primary Examiner*—Paula A. Mortimer  
*Attorney, Agent, or Firm*—Weintraub & Brady

[\*\*] Term: **14 Years**

[57] **CLAIM**

[21] Appl. No.: **64,990**

The ornamental design for a combined candy container and savings bank, as shown.

[22] Filed: **Jan. 16, 1997**

### DESCRIPTION

[51] **LOC (6) Cl.** ..... **99-00**

[52] **U.S. Cl.** ..... **D99/37; D7/623; D21/201**

[58] **Field of Search** ..... **D99/35, 36, 37, D99/34; D7/620, 622, 623; D21/201**

FIG. 1 is a perspective view of a combined candy container and savings bank showing my new design;  
FIG. 2 is a first front elevational view thereof;  
FIG. 3 is a first side elevational view thereof;  
FIG. 4 is a rear elevational view thereof, as seen 180° from that of FIG. 2;  
FIG. 5 is a second side elevational view thereof, as seen 180° from that of FIG. 3;  
FIG. 6 is a top plan view thereof; and  
FIG. 7 is a bottom plan view thereof.

### [56] **References Cited**

#### U.S. PATENT DOCUMENTS

D. 53,954 10/1919 Yates ..... D99/37  
D. 289,218 4/1987 Divnick ..... D99/35 X  
D. 299,482 1/1989 Pearson ..... D99/36 X  
D. 333,373 2/1993 Pacelli ..... D99/37  
D. 334,455 3/1993 Dworman et al. .... D99/37

**1 Claim, 1 Drawing Sheet**

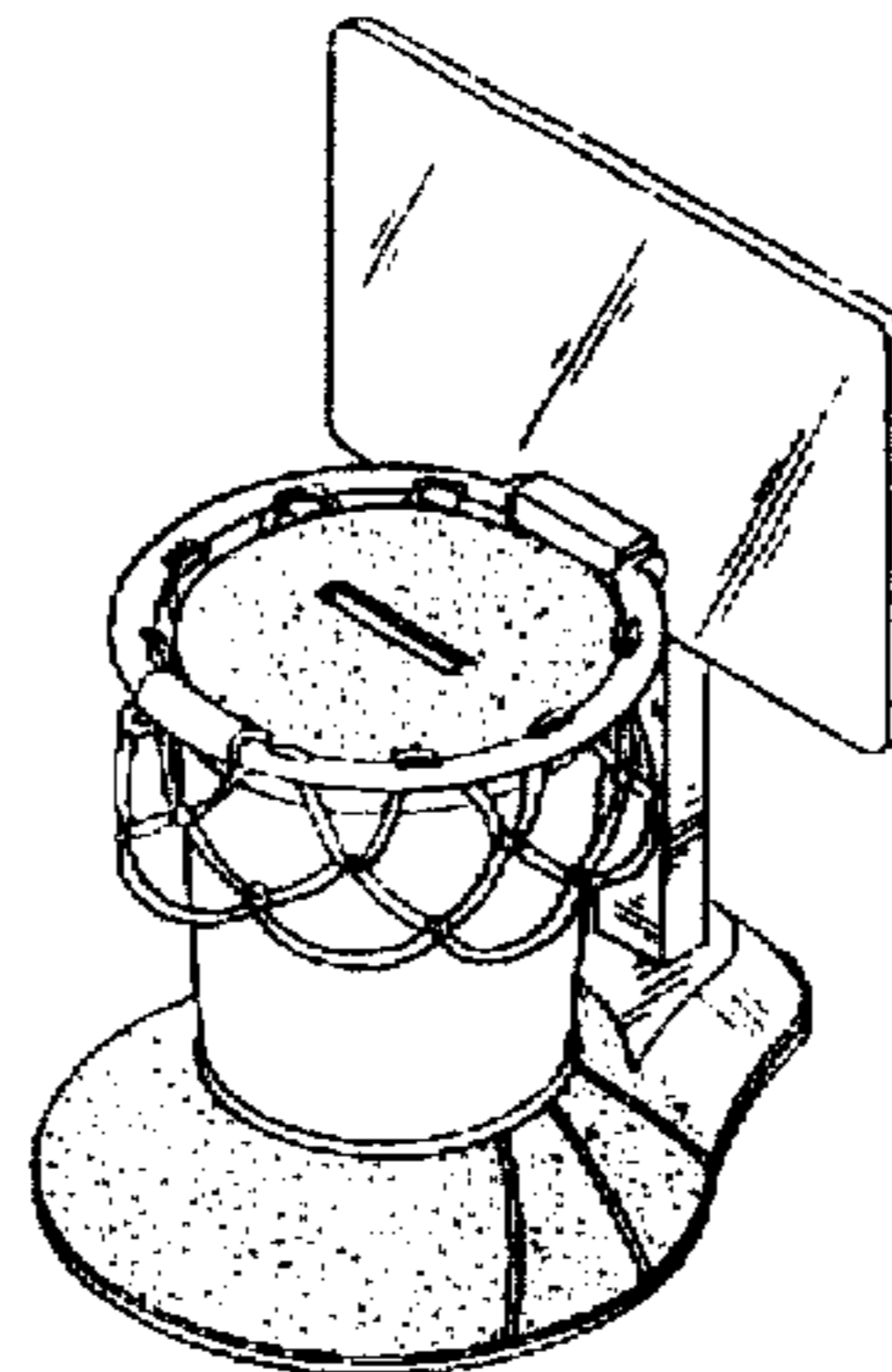


FIG 1

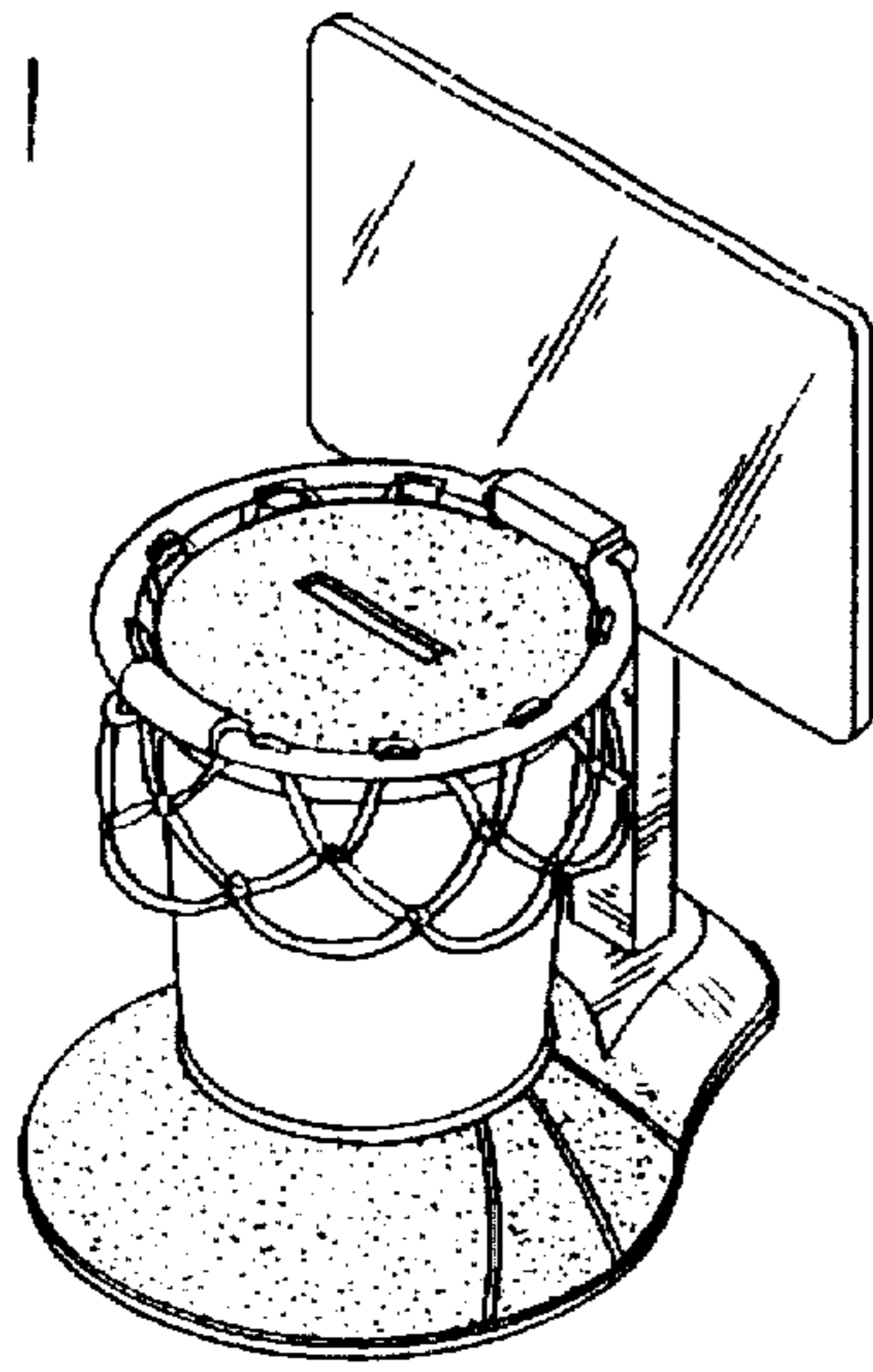


FIG 6

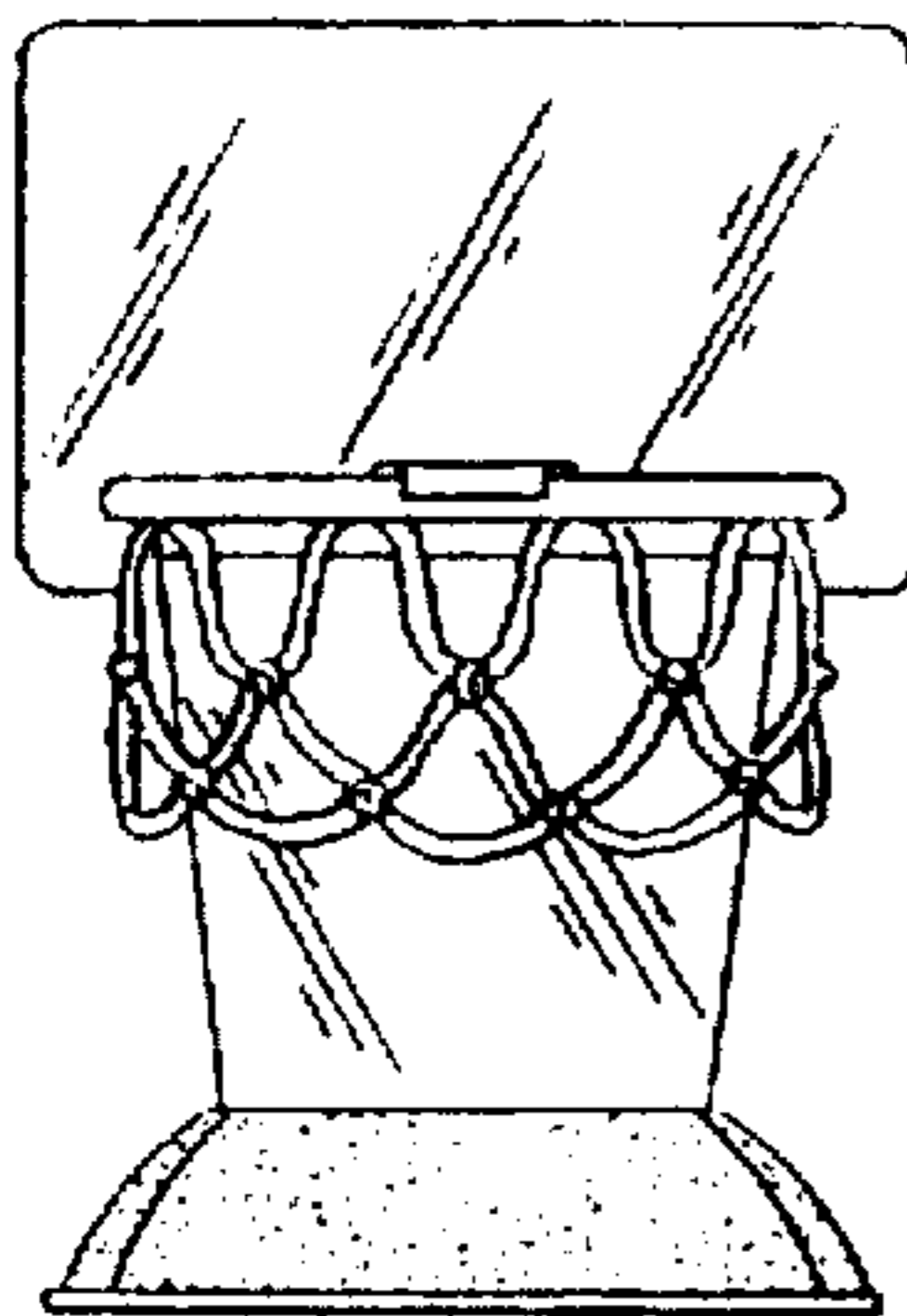
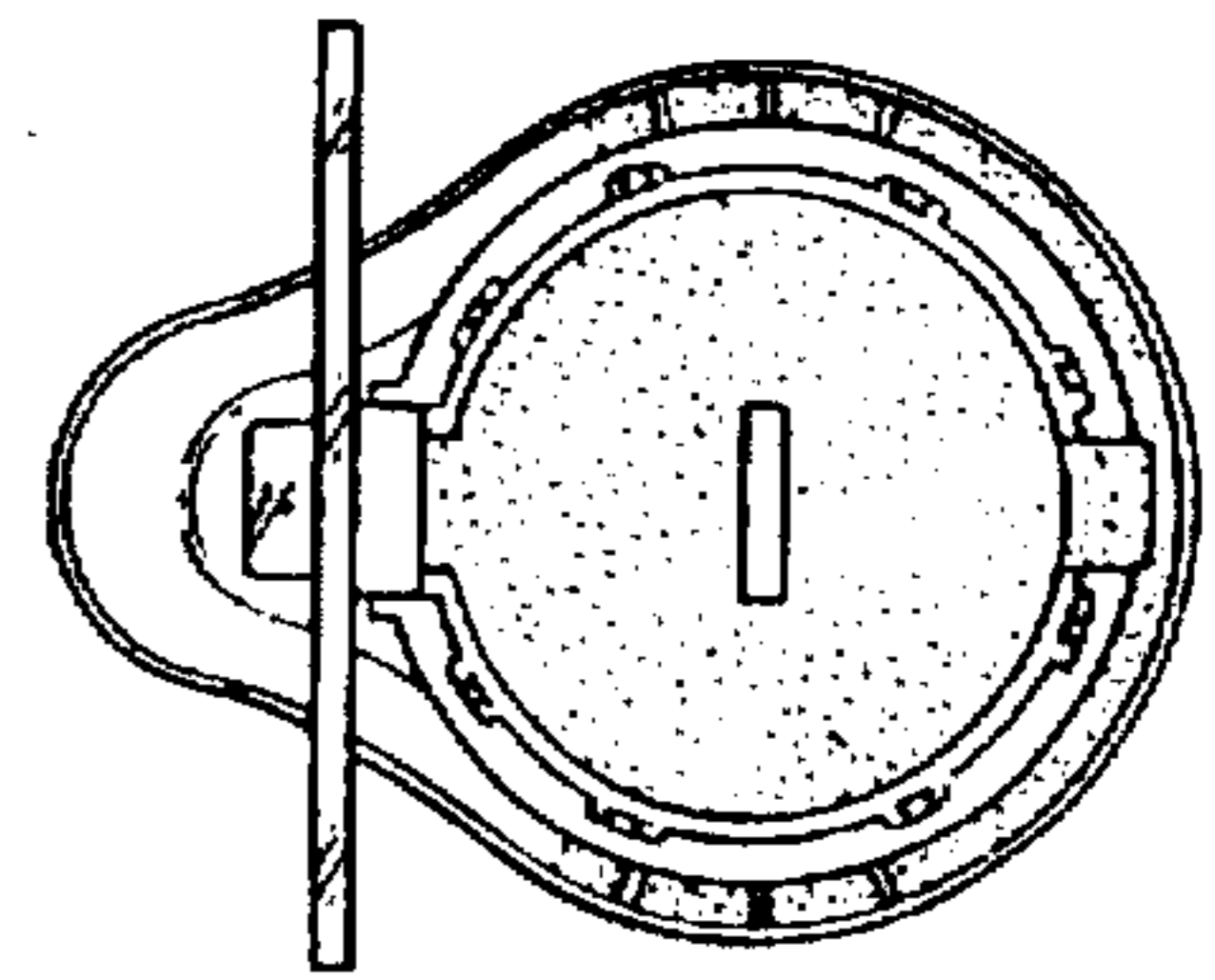


FIG 2

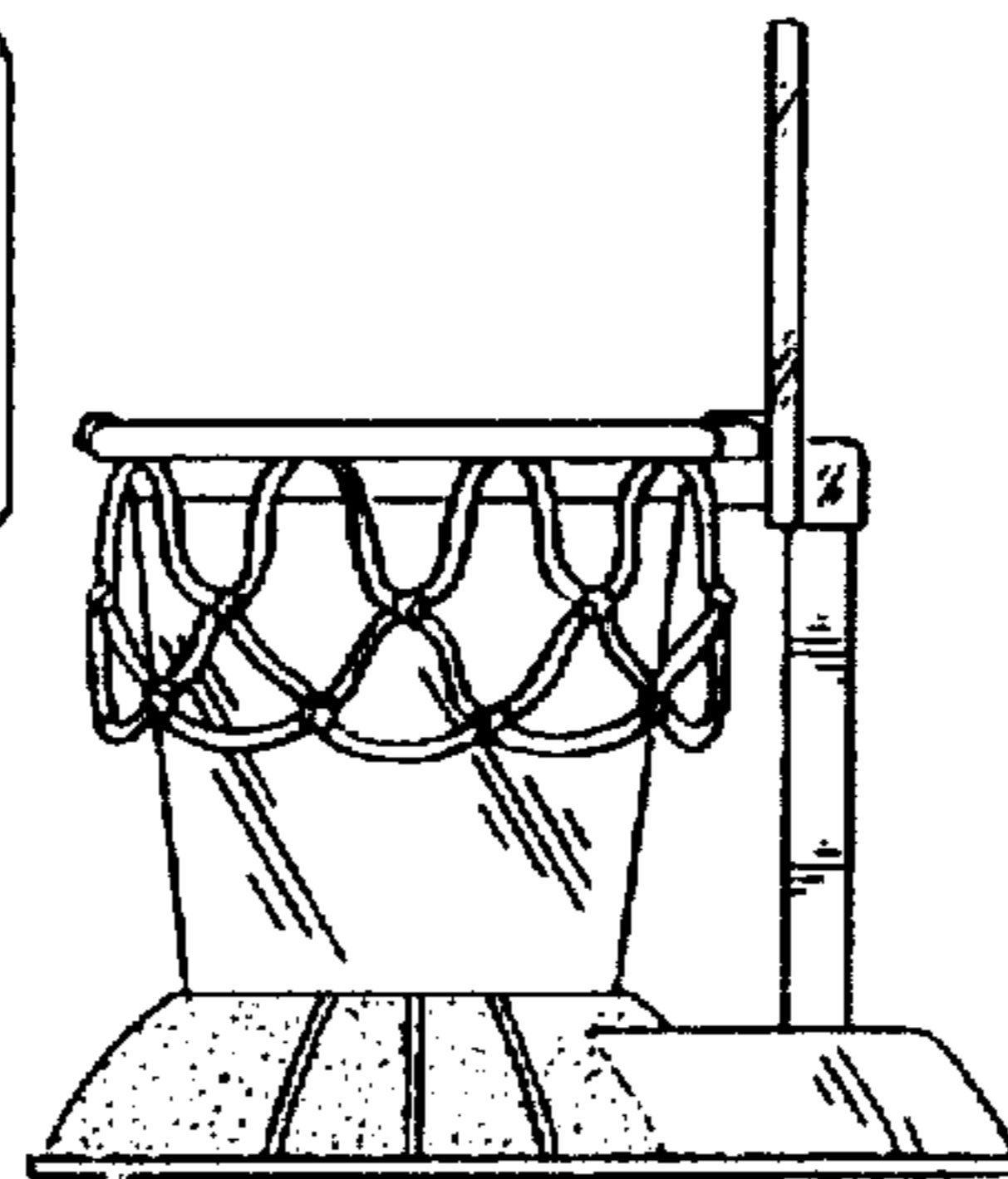


FIG 3

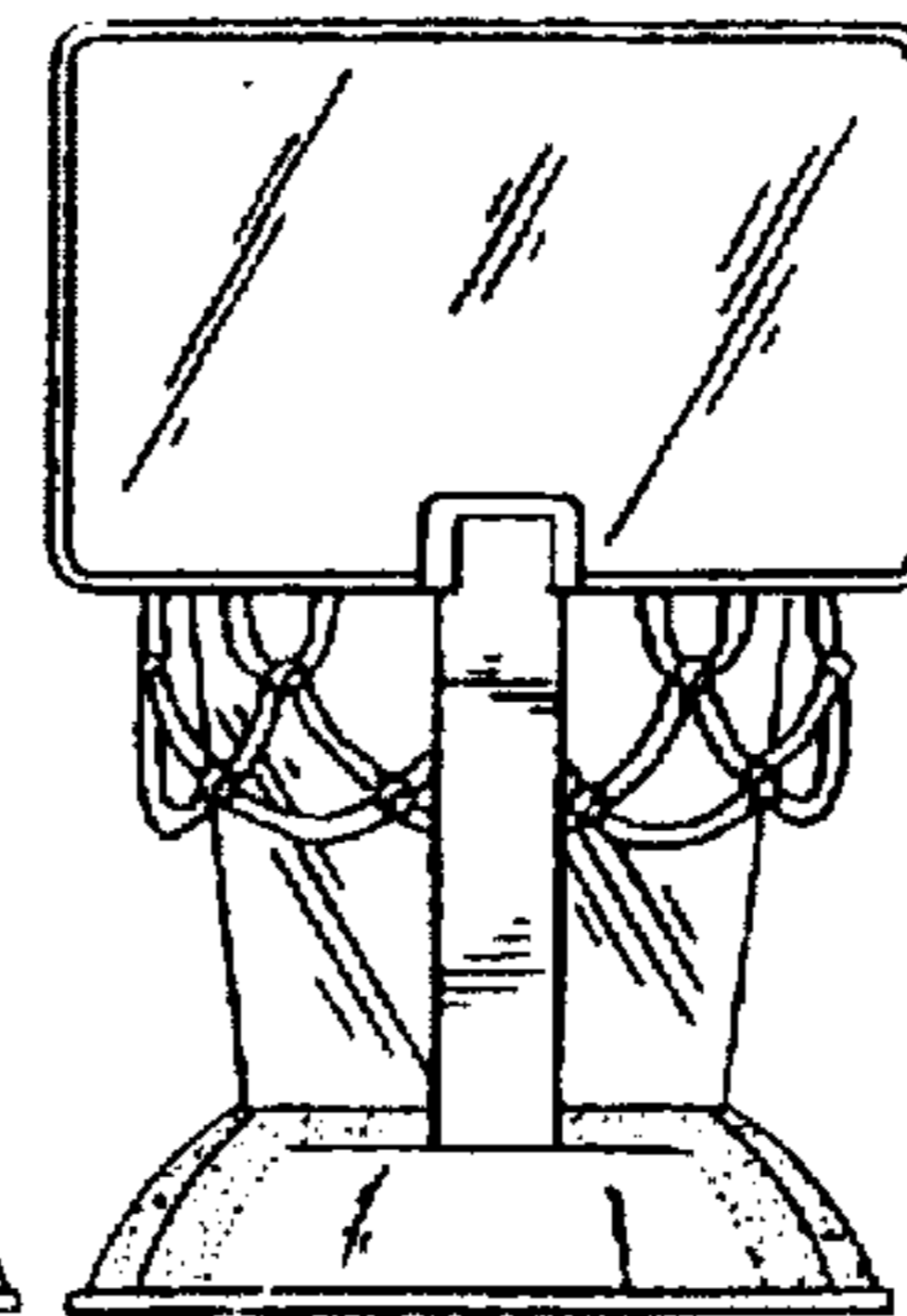


FIG 4

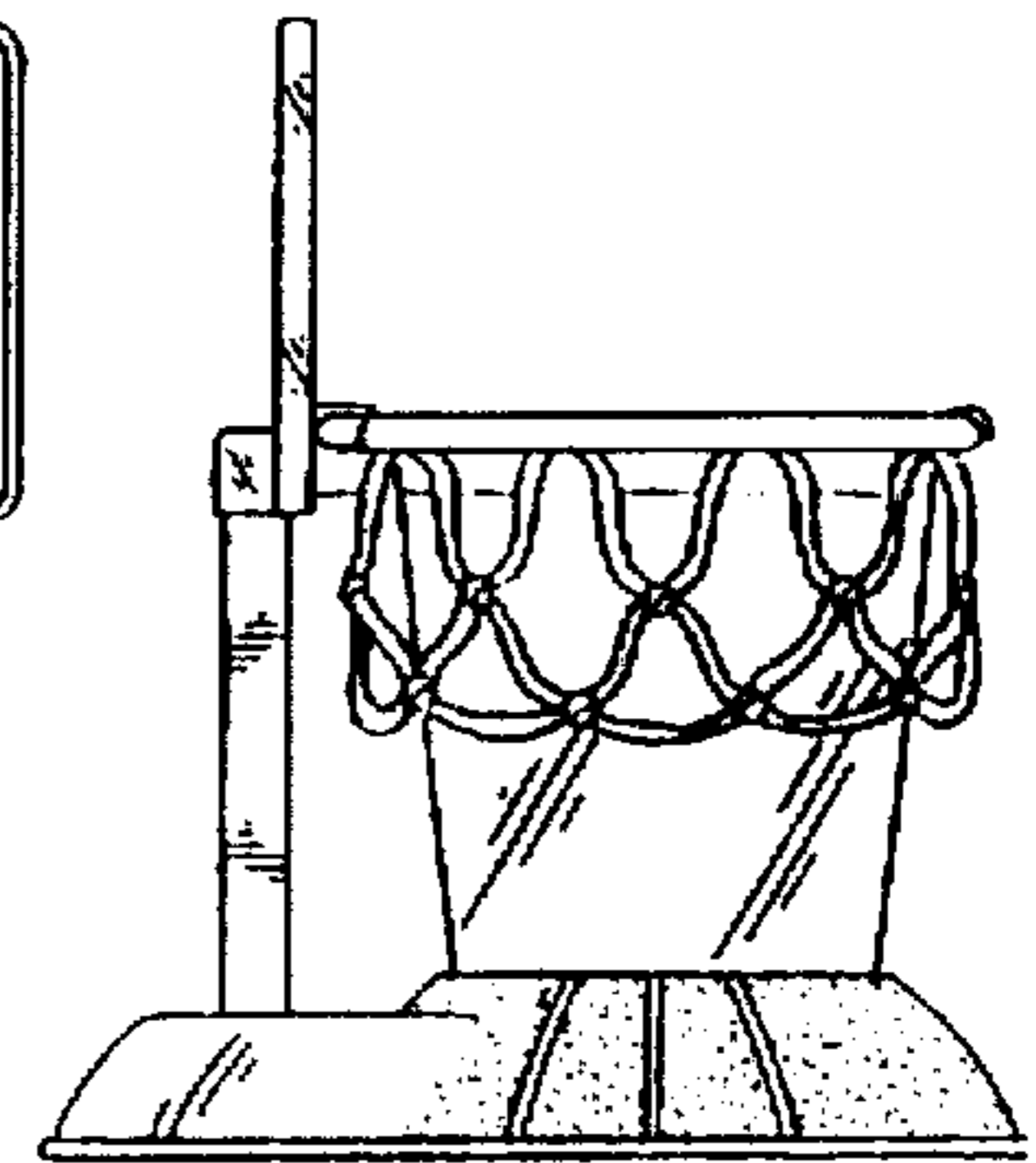


FIG 5

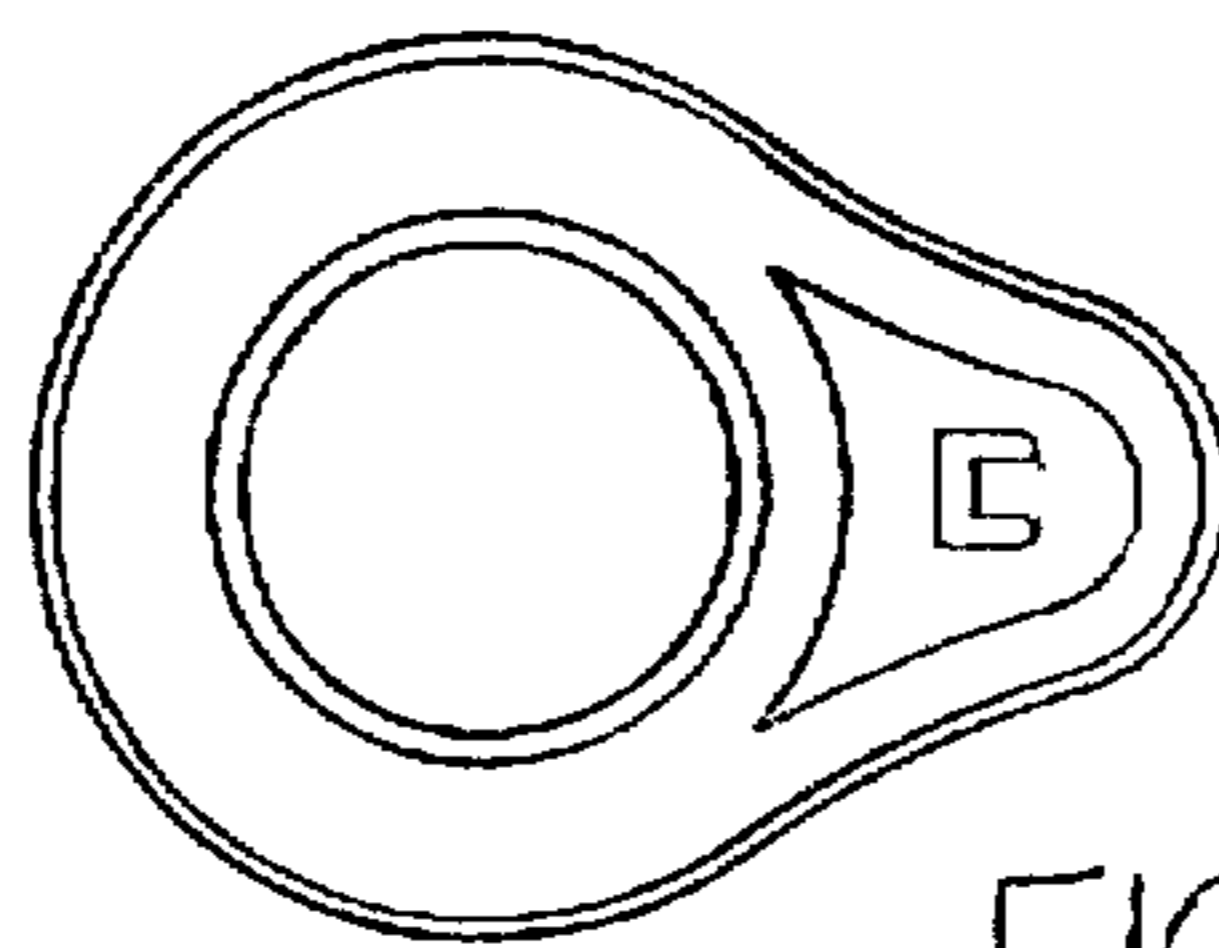


FIG 7