



US00D395130S

United States Patent [19]
Rothrock

[11] **Patent Number: Des. 395,130**

[45] **Date of Patent: **Jun. 9, 1998**

[54] **PAPER BOX FLAG**

4,412,646 11/1983 Hollenbach 232/34

[76] **Inventor: Dennis M. Rothrock, 5571 Pinchtown Rd., Dover, Pa. 17315**

Primary Examiner—Alan P. Douglas
Assistant Examiner—J. H. Musgrove
Attorney, Agent, or Firm—Leon Gilden

[**] **Term: 14 Years**

[57] **CLAIM**

[21] **Appl. No.: 476,650**

The ornamental design for a paper box flag, as shown and described.

[22] **Filed: Feb. 8, 1990**

[51] **LOC (6) Cl. 11-02**

[52] **U.S. Cl. D99/29; D10/23**

[58] **Field of Search D99/29; 232/17, 232/34, 35**

DESCRIPTION

FIG. 1 is a front elevational view of the paper box flag showing my new design;

FIG. 2 is a rear elevational view thereof;

FIG. 3 is a left side elevational view thereof;

FIG. 4 is a right side elevational view thereof;

FIG. 5 is a top plan view thereof; and,

FIG. 6 is a bottom plan view thereof; and,

FIG. 7 is a perspective view thereof.

[56] **References Cited**

U.S. PATENT DOCUMENTS

3,888,409	6/1975	Bolduc	232/35
4,002,291	1/1977	Hodge	232/17
4,007,870	2/1977	Hankis	232/34
4,308,989	1/1982	Elsinger	232/34

1 Claim, 4 Drawing Sheets

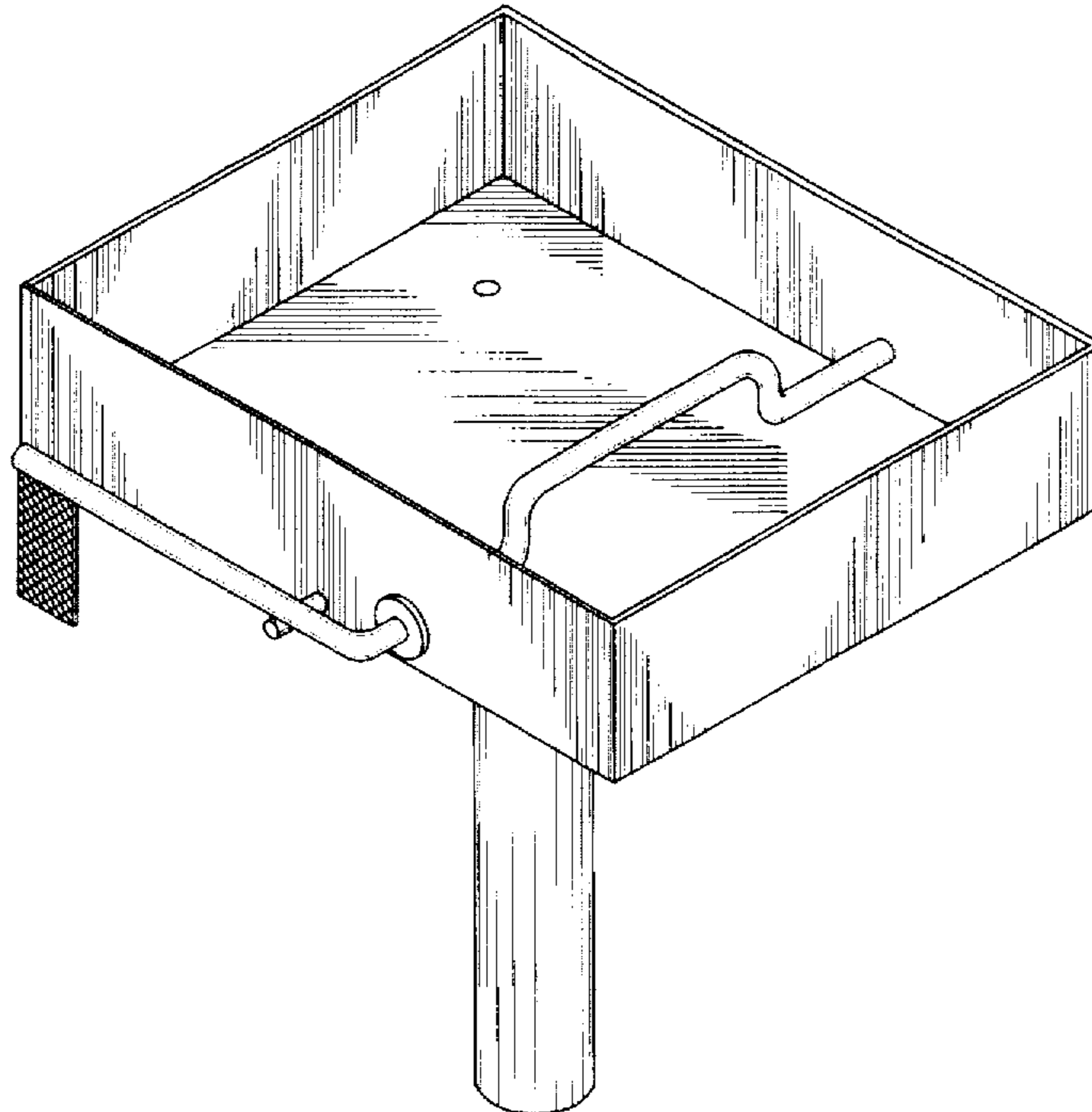


FIG. 1

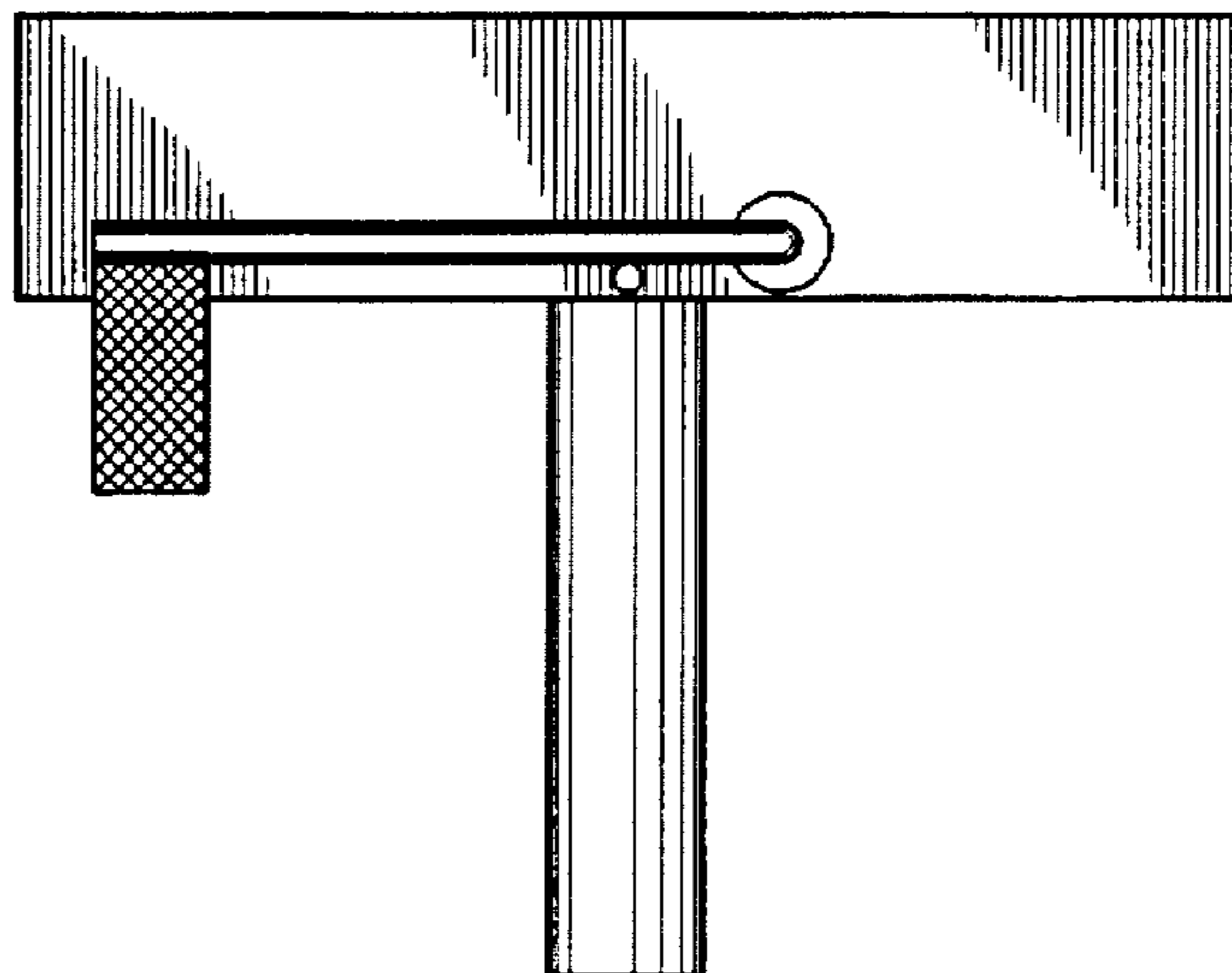


FIG. 2

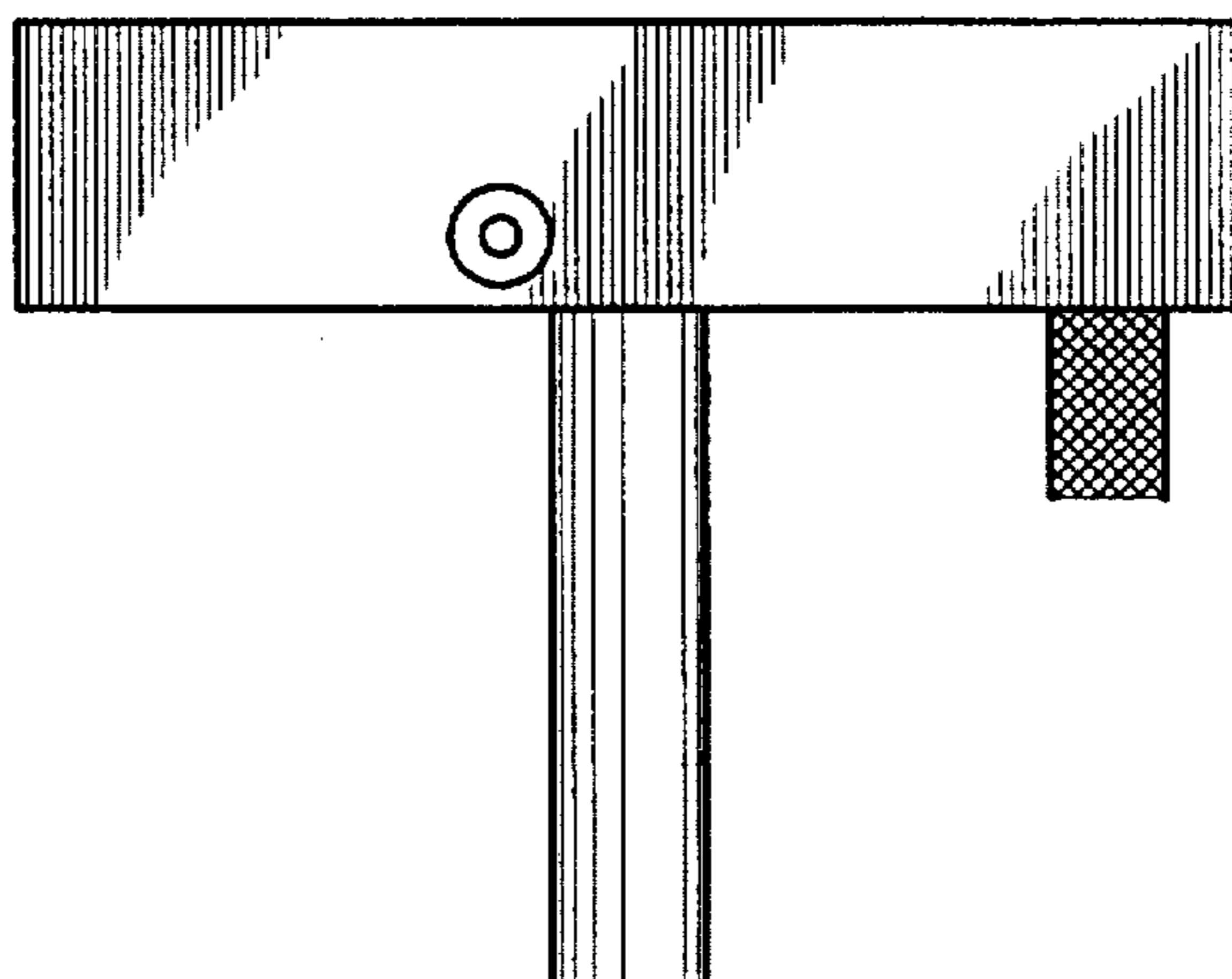


FIG. 3

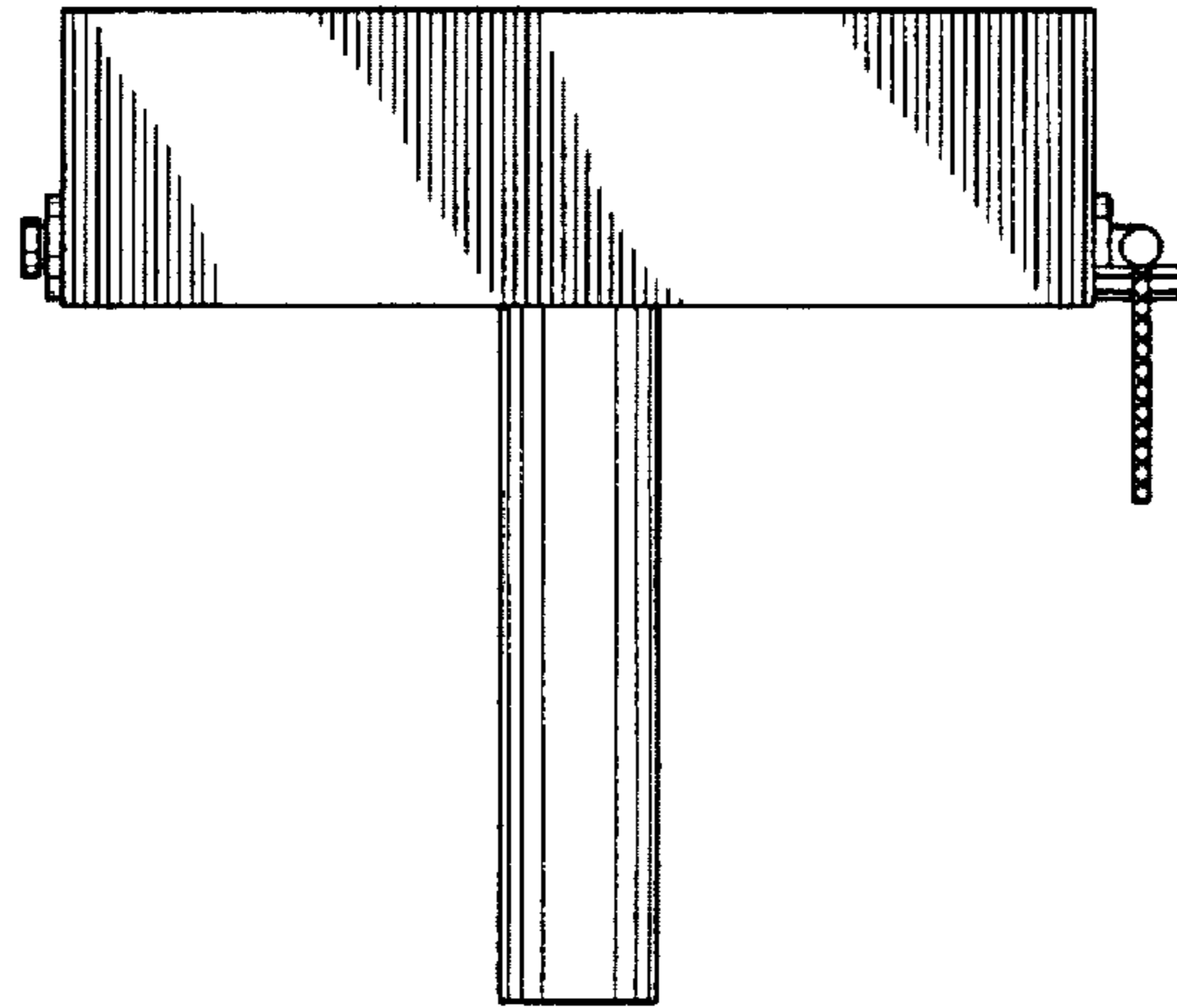


FIG. 4

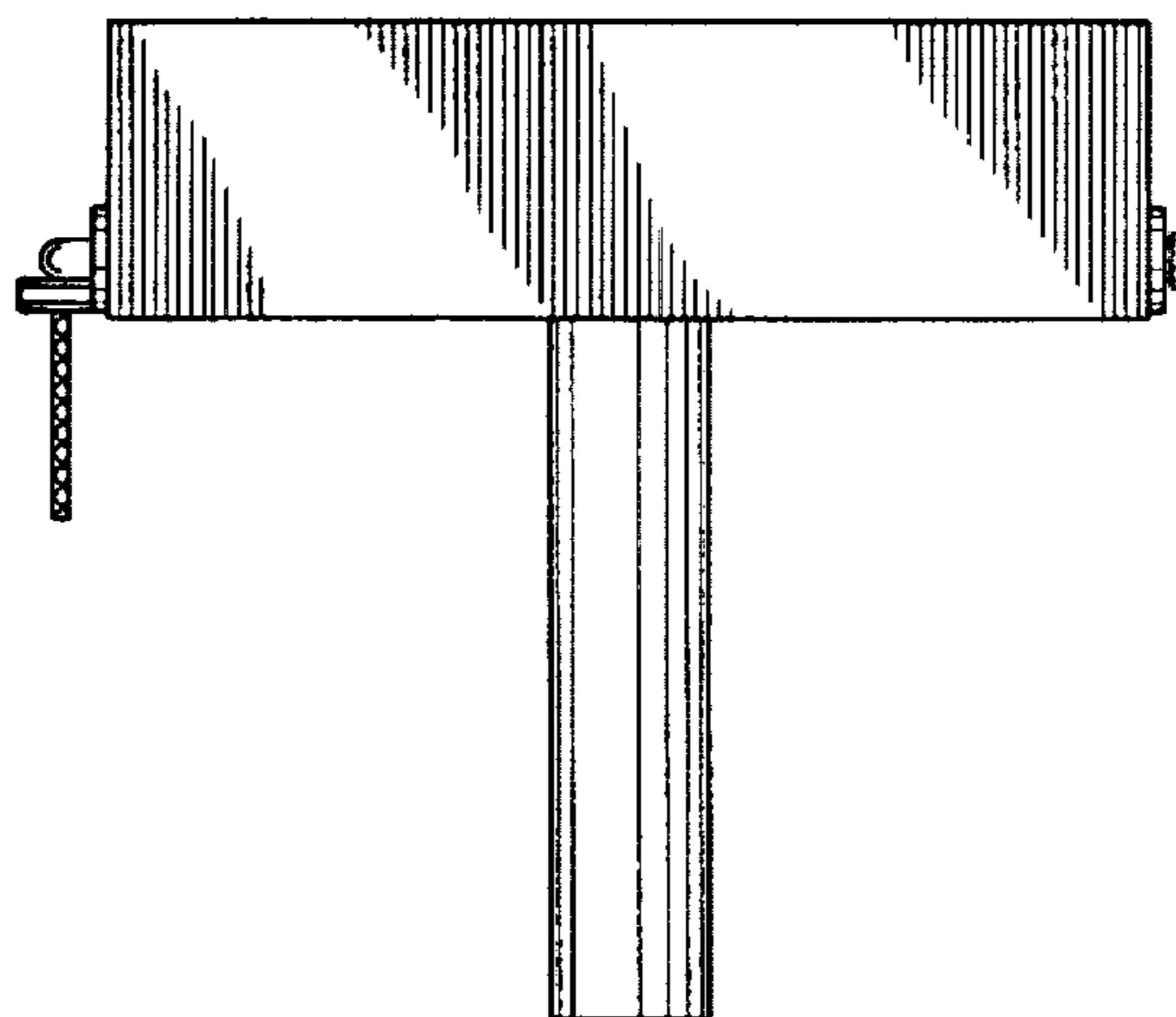


FIG. 5

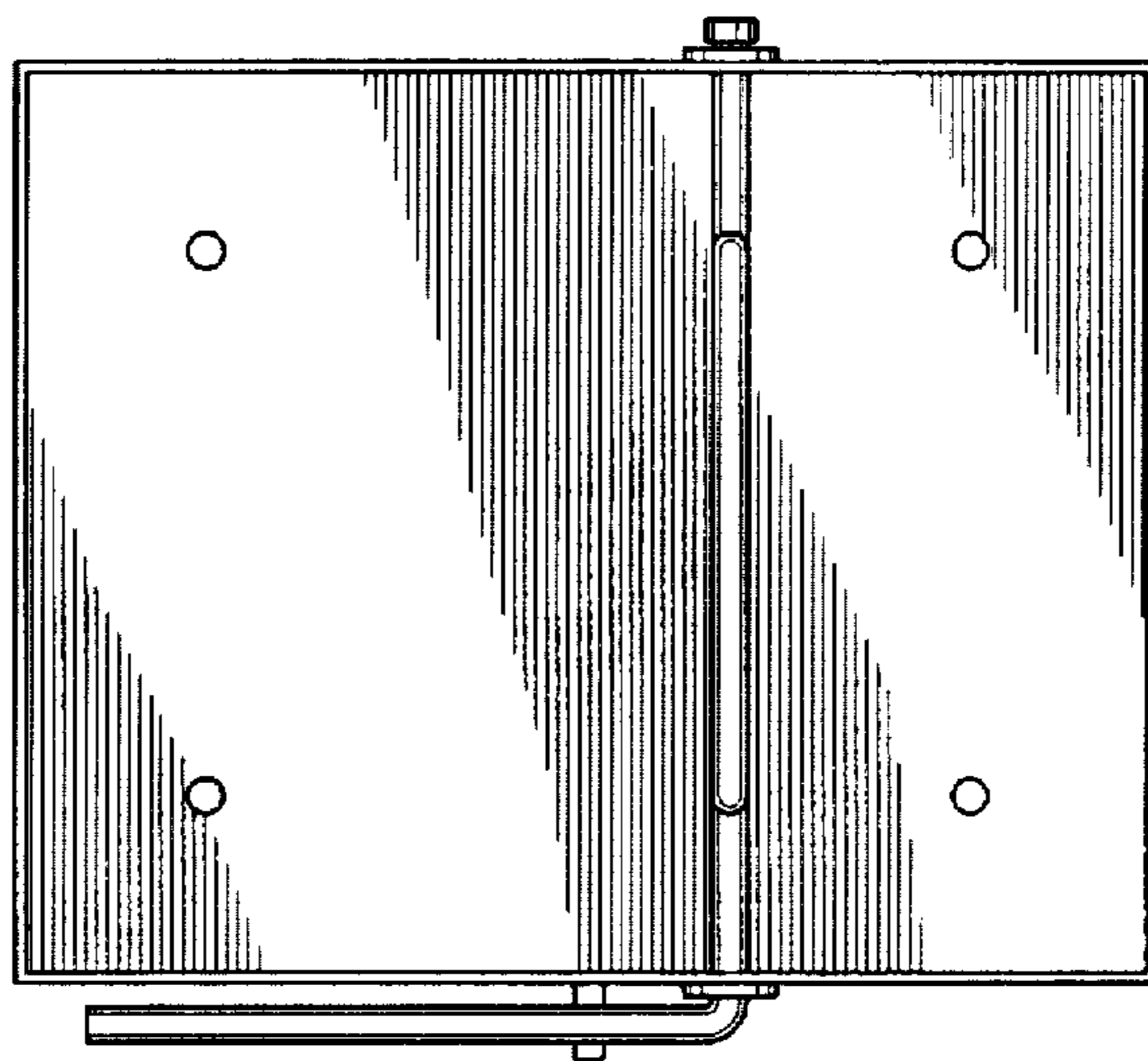


FIG. 6

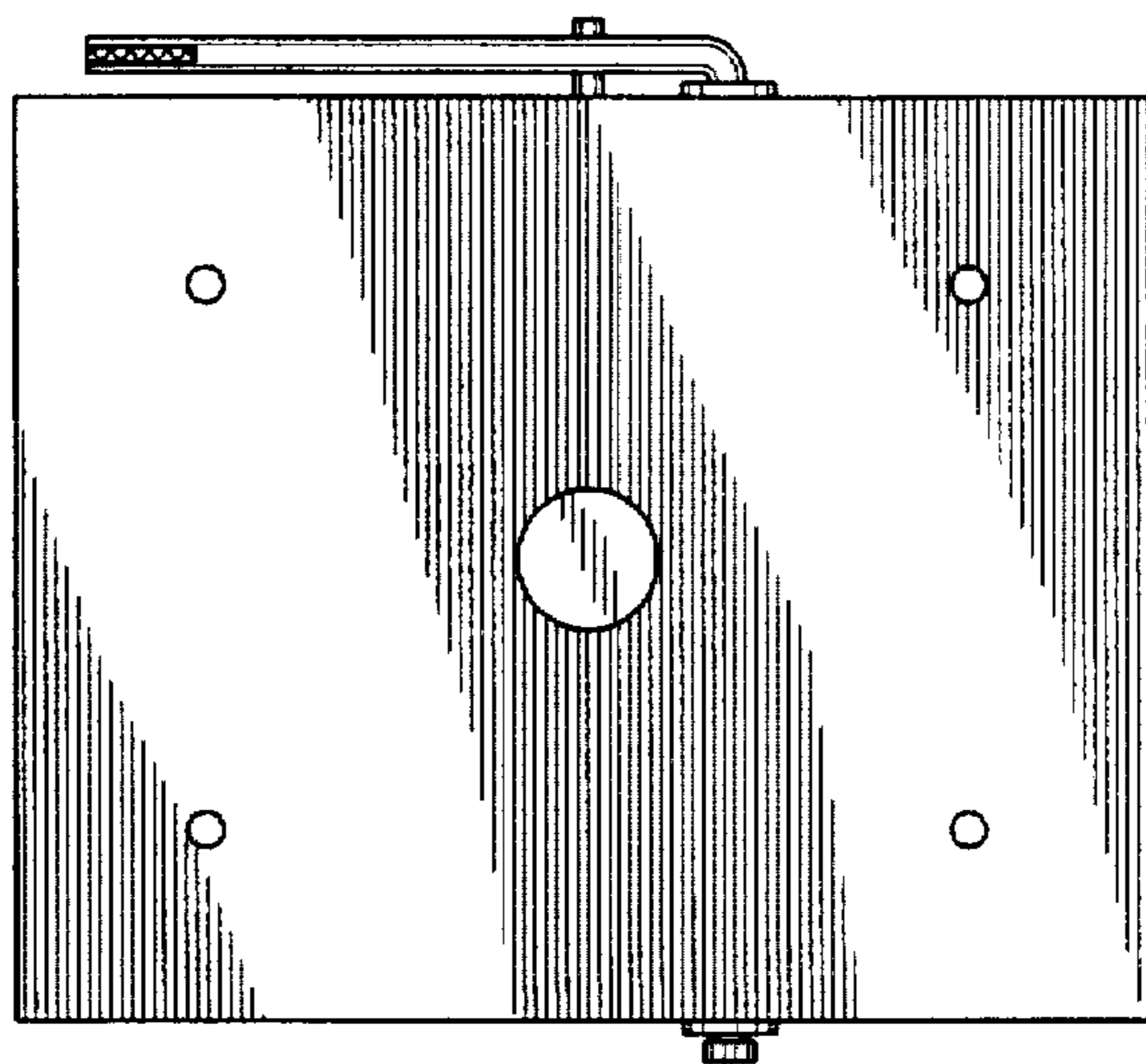


FIG. 7

