



US00D395127S

United States Patent [19]
Lakin

[11] **Patent Number:** **Des. 395,127**
[45] **Date of Patent:** ****Jun. 9, 1998**

[54] **RELIGIOUS ARTIFACT**

[76] **Inventor:** **Harry W. Lakin**, 6261 E. Gelding Dr.,
Scottsdale, Ariz. 85254

[**] **Term:** **14 Years**

[21] **Appl. No.:** **67,263**

[22] **Filed:** **Feb. 18, 1997**

[51] **LOC (6) Cl.** **11-02**

[52] **U.S. Cl.** **D99/27**

[58] **Field of Search** **D99/23, 25, 27,**
D99/26; 362/121; D11/96, 79, 80, 81; 434/246

[56] **References Cited**

U.S. PATENT DOCUMENTS

| | | | | |
|------------|--------|--------------|-------|----------|
| D. 299,779 | 2/1989 | Kohen et al. | | D99/27 |
| D. 300,079 | 2/1989 | Smith | | D99/27 |
| 1,032,257 | 7/1912 | Walrow | | D99/27 X |
| 1,052,980 | 2/1913 | Smith | | D99/27 X |
| 1,614,703 | 1/1927 | Wolfors | | 362/121 |
| 2,876,559 | 3/1959 | Sloan | | 434/246 |

Primary Examiner—Paula A. Mortimer
Attorney, Agent, or Firm—Meschkow & Gresham, P.L.C.;
Jordan M. Meschkow; Lowell W. Gresham

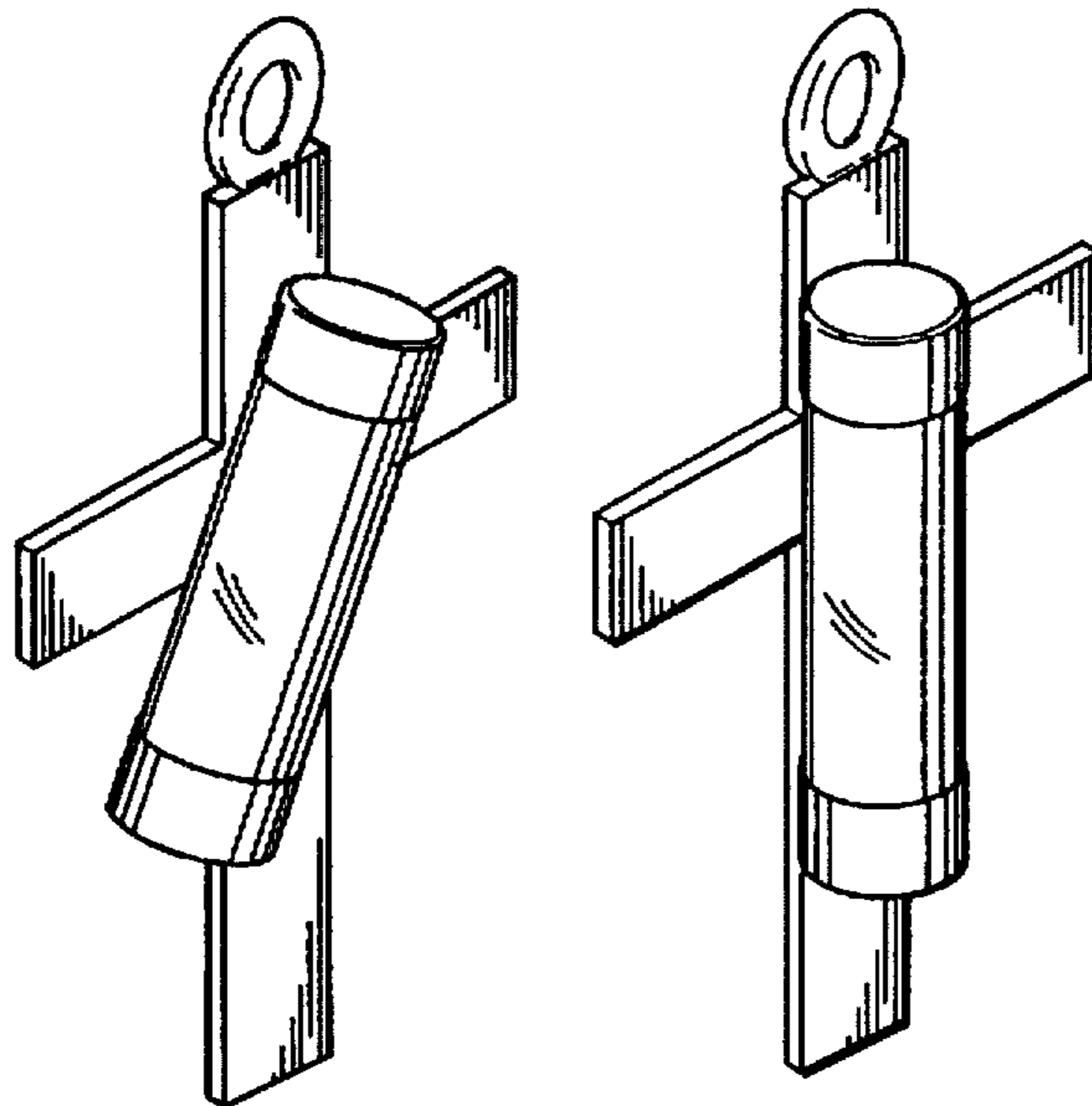
[57] **CLAIM**

The ornamental design for a religious artifact, as shown and described.

DESCRIPTION

FIG. 1 is a front perspective view of a religious artifact, showing my new design therefor;
FIG. 2 is a frontal view therefor;
FIG. 3 is a rear view therefor;
FIG. 4 is a side view therefor, showing the left side;
FIG. 5 is a side view therefor, showing the right side;
FIG. 6 is a top plan view therefor; and
FIG. 7 is a bottom plan view therefor;
FIG. 8 is a front perspective view of a first alternate embodiment of a religious artifact, showing my new design therefor;
FIG. 9 is a frontal view of the design shown in FIG. 8;
FIG. 10 is a rear view of the design shown in FIG. 8;
FIG. 11 is a side view of the design shown in FIG. 8, showing the left side;
FIG. 12 is a side view of the design shown in FIG. 8, showing the right side;
FIG. 13 is a top plan view of the design shown in FIG. 8; and
FIG. 14 is a bottom plan view of the design shown in FIG. 8.

1 Claim, 2 Drawing Sheets



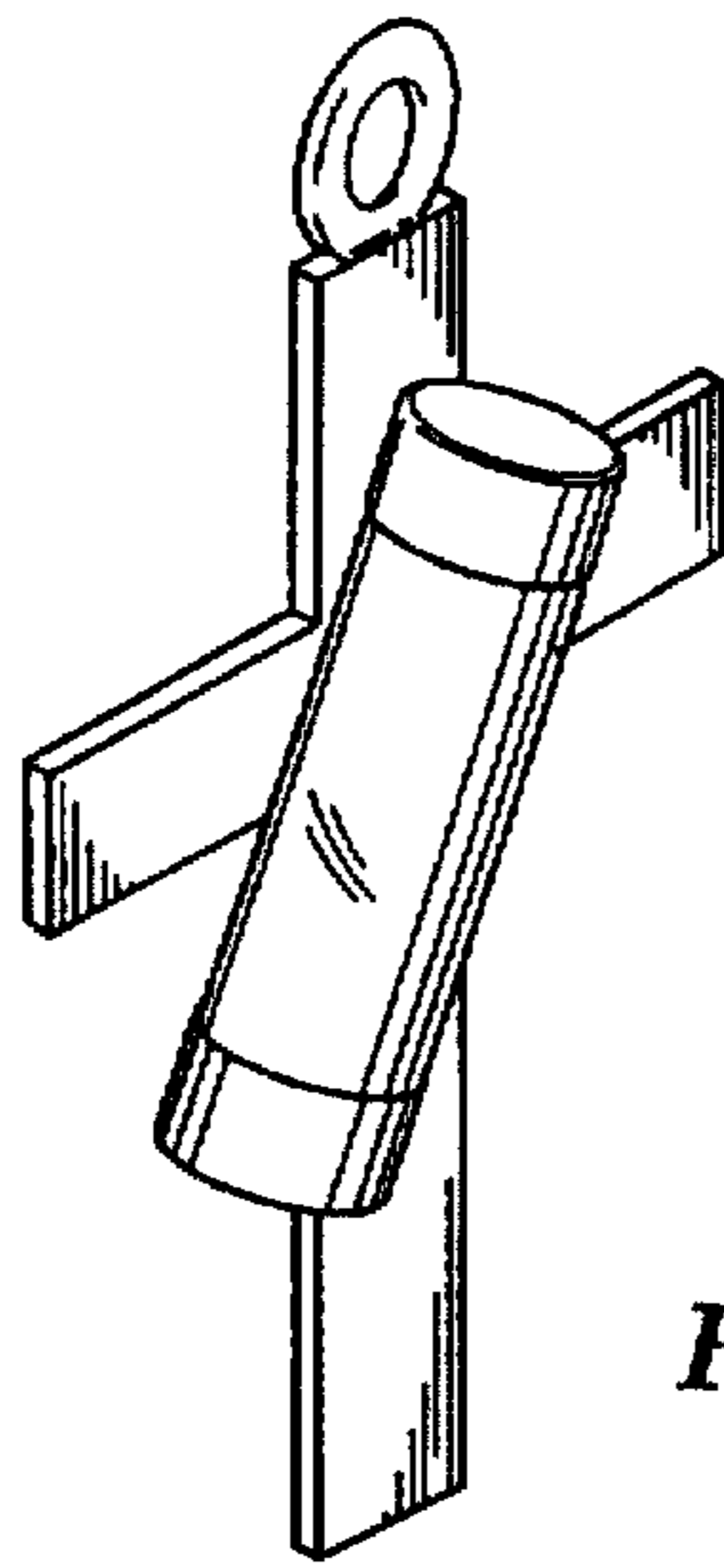


Fig. 1

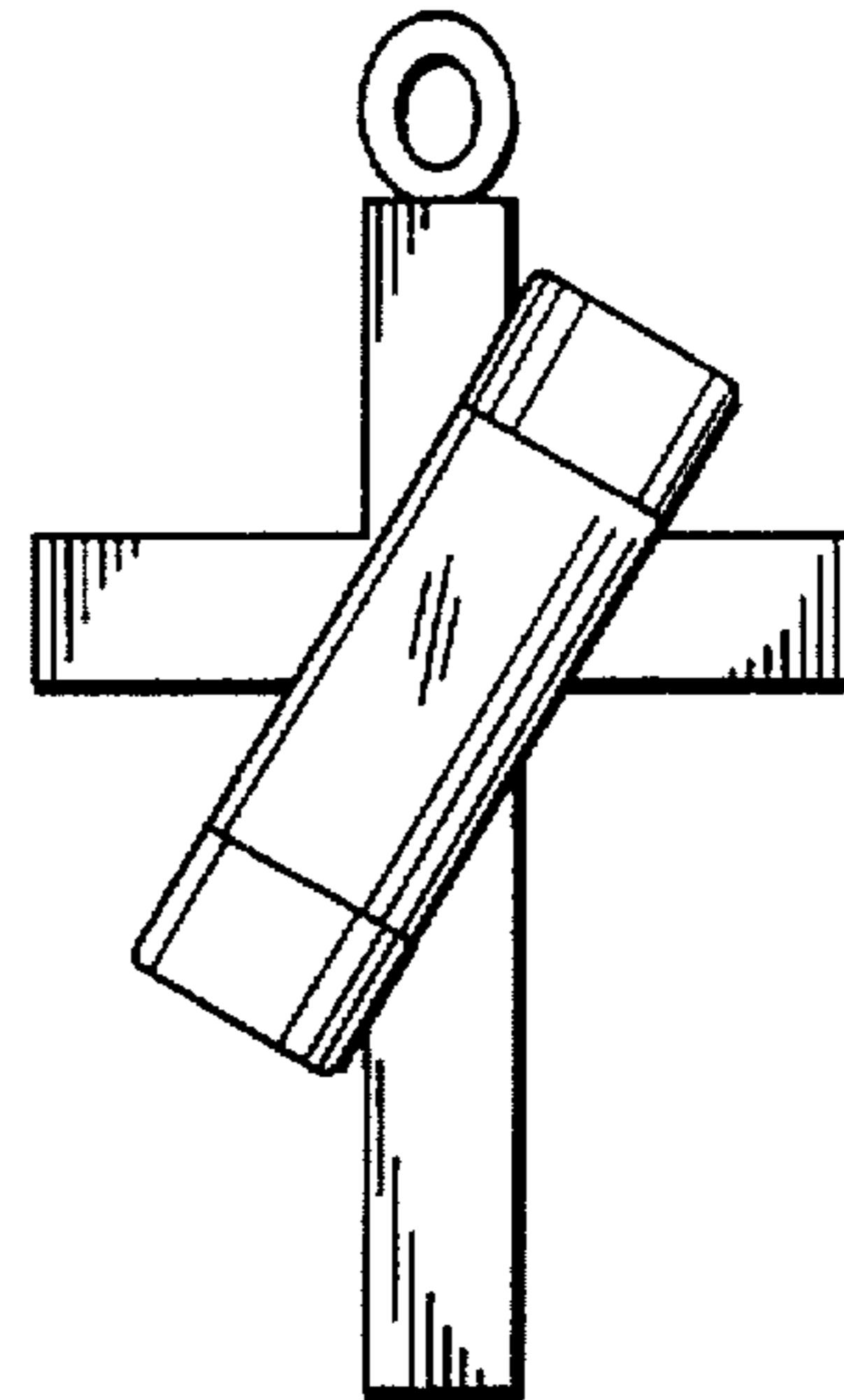


Fig. 2

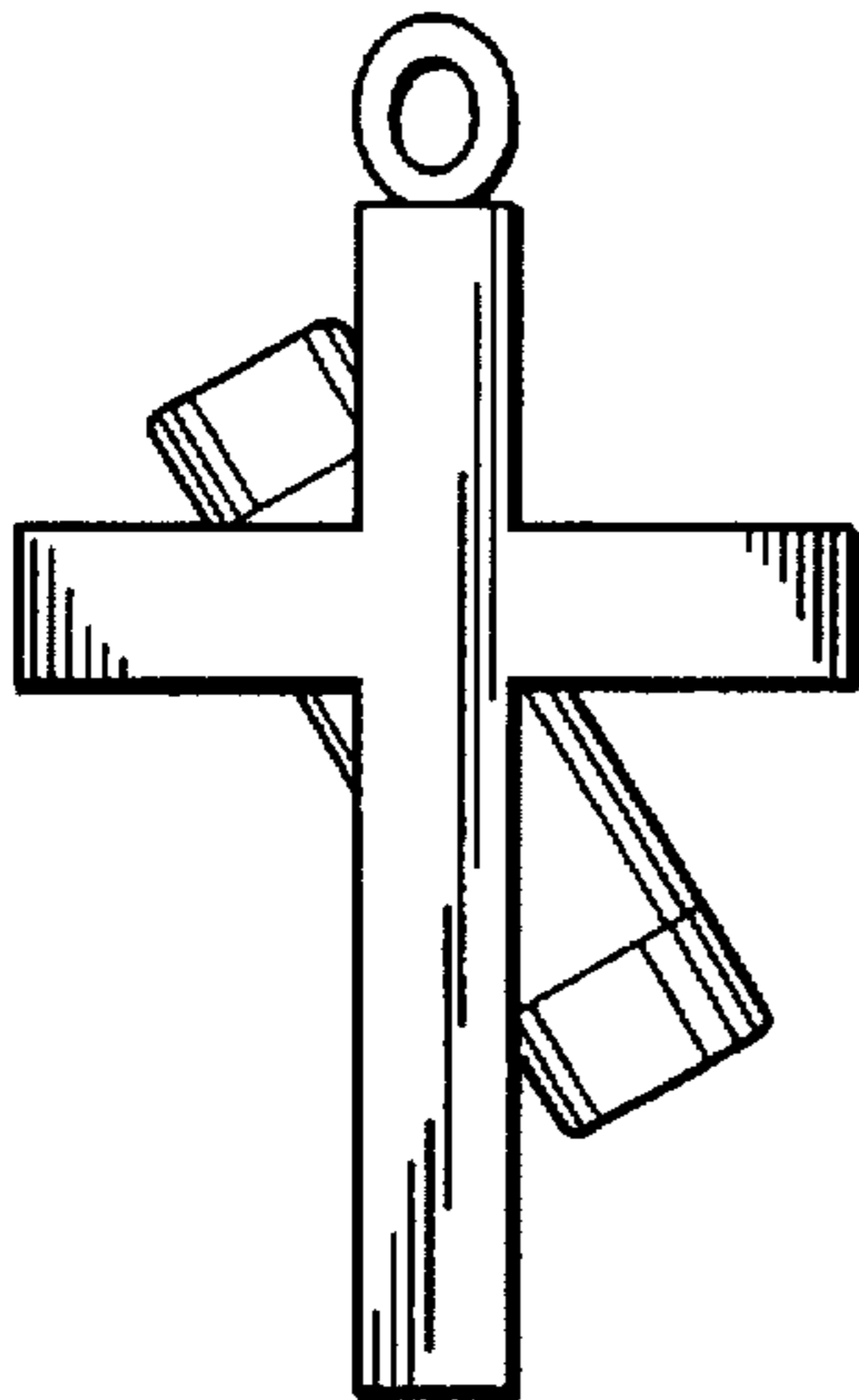


Fig. 3

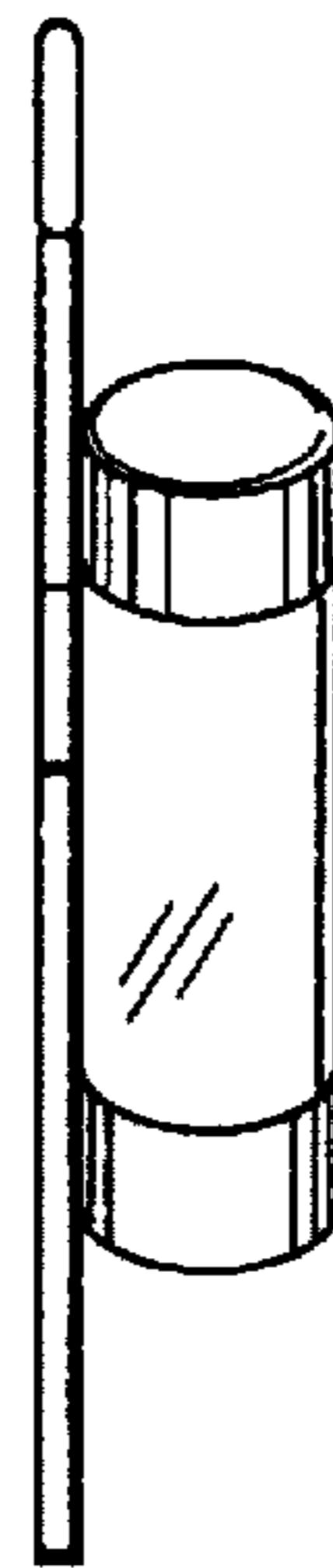


Fig. 4

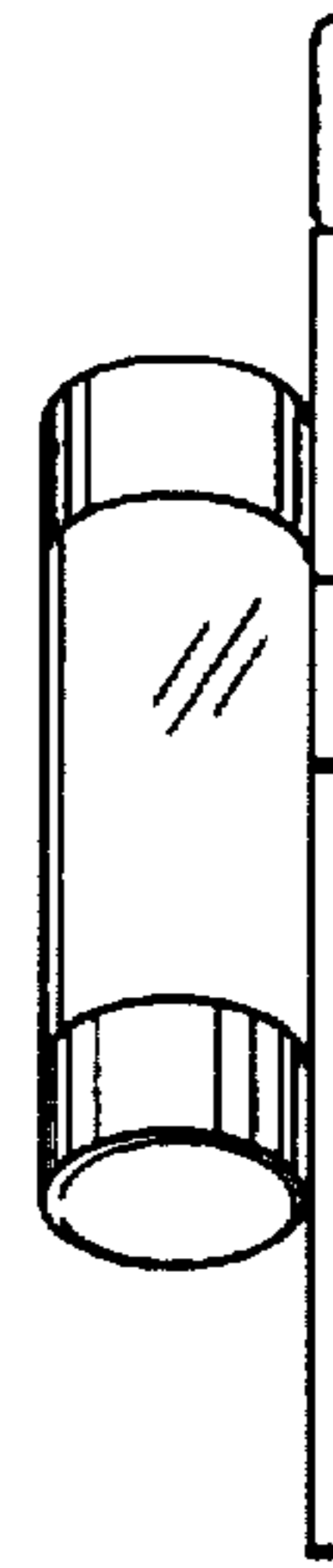


Fig. 5

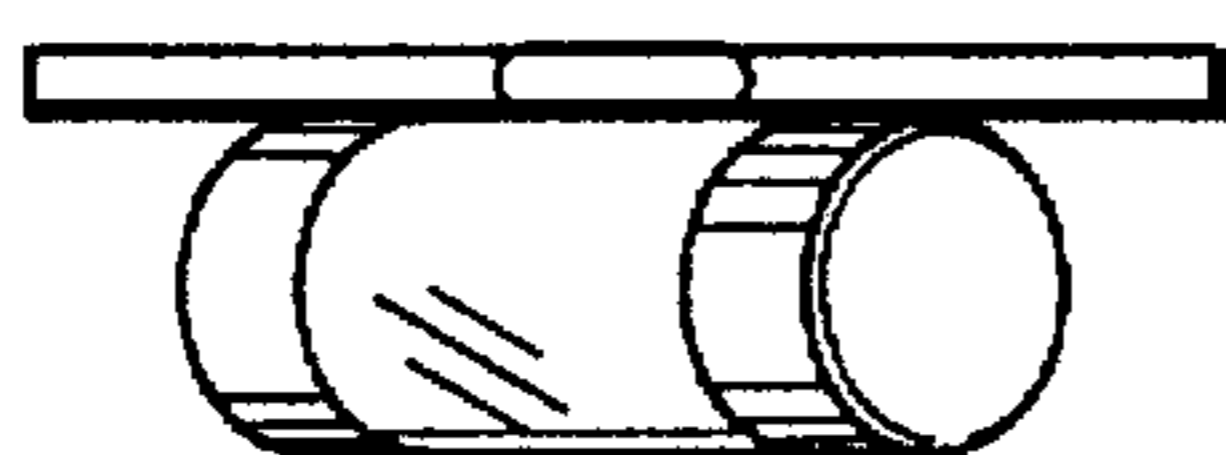


Fig. 6

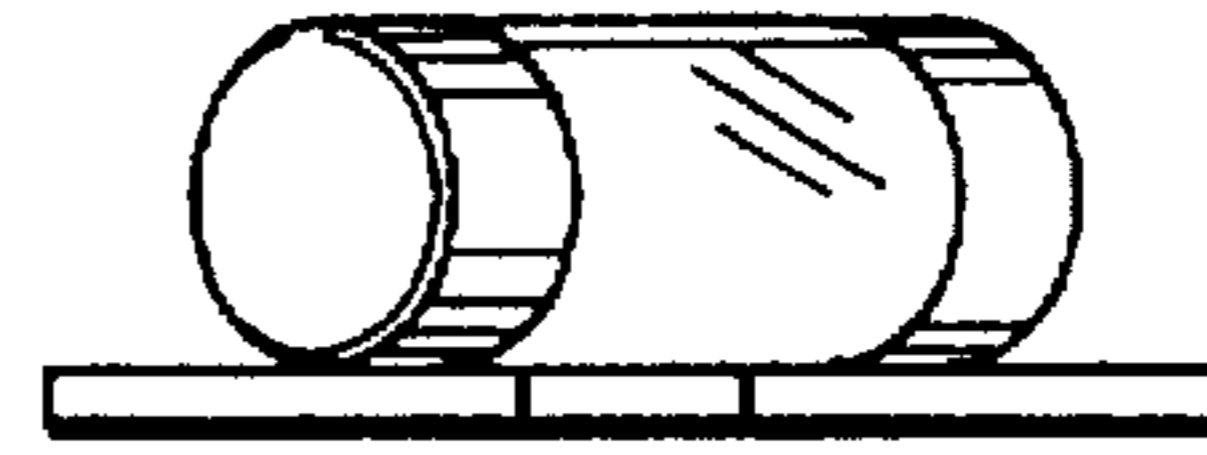


Fig. 7

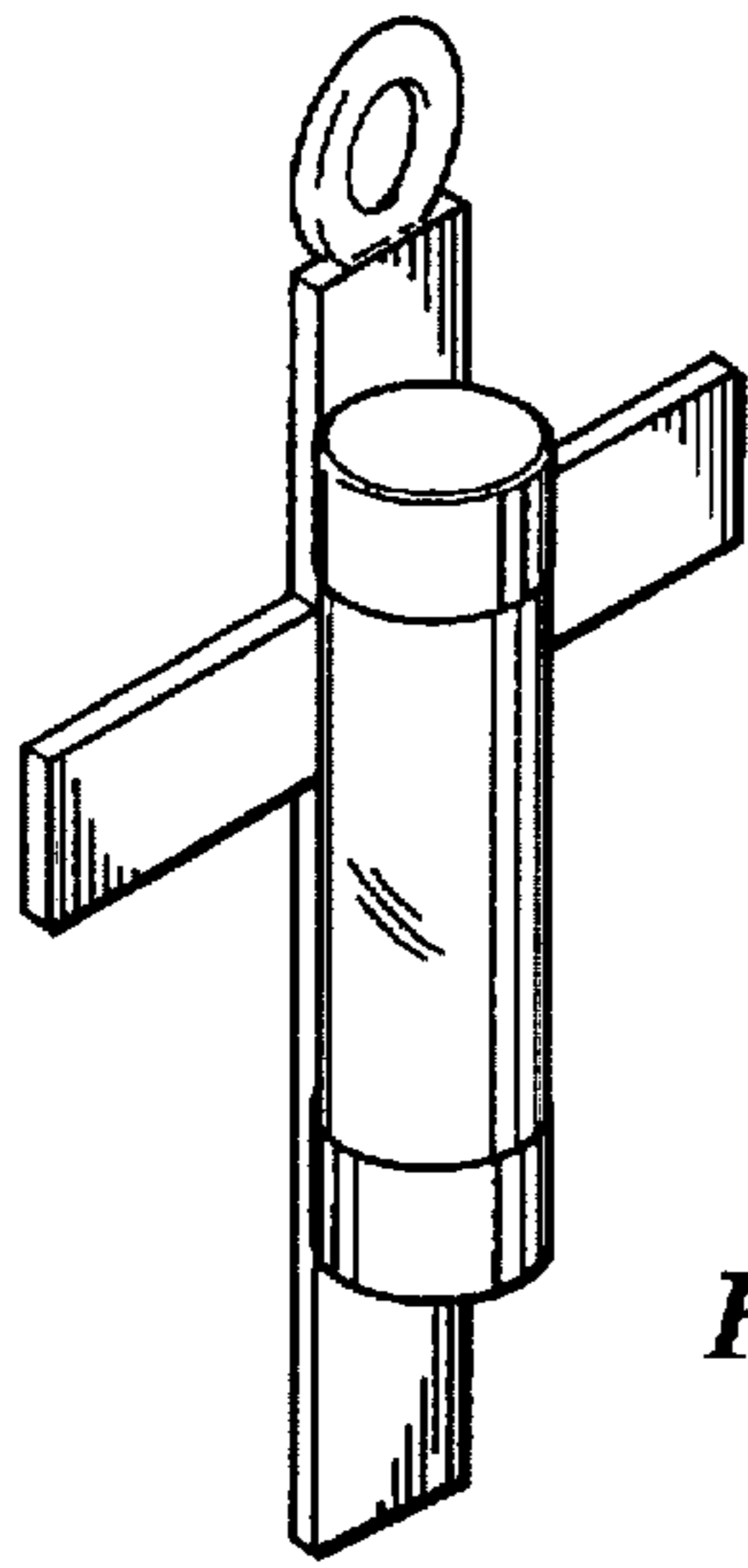


Fig. 8

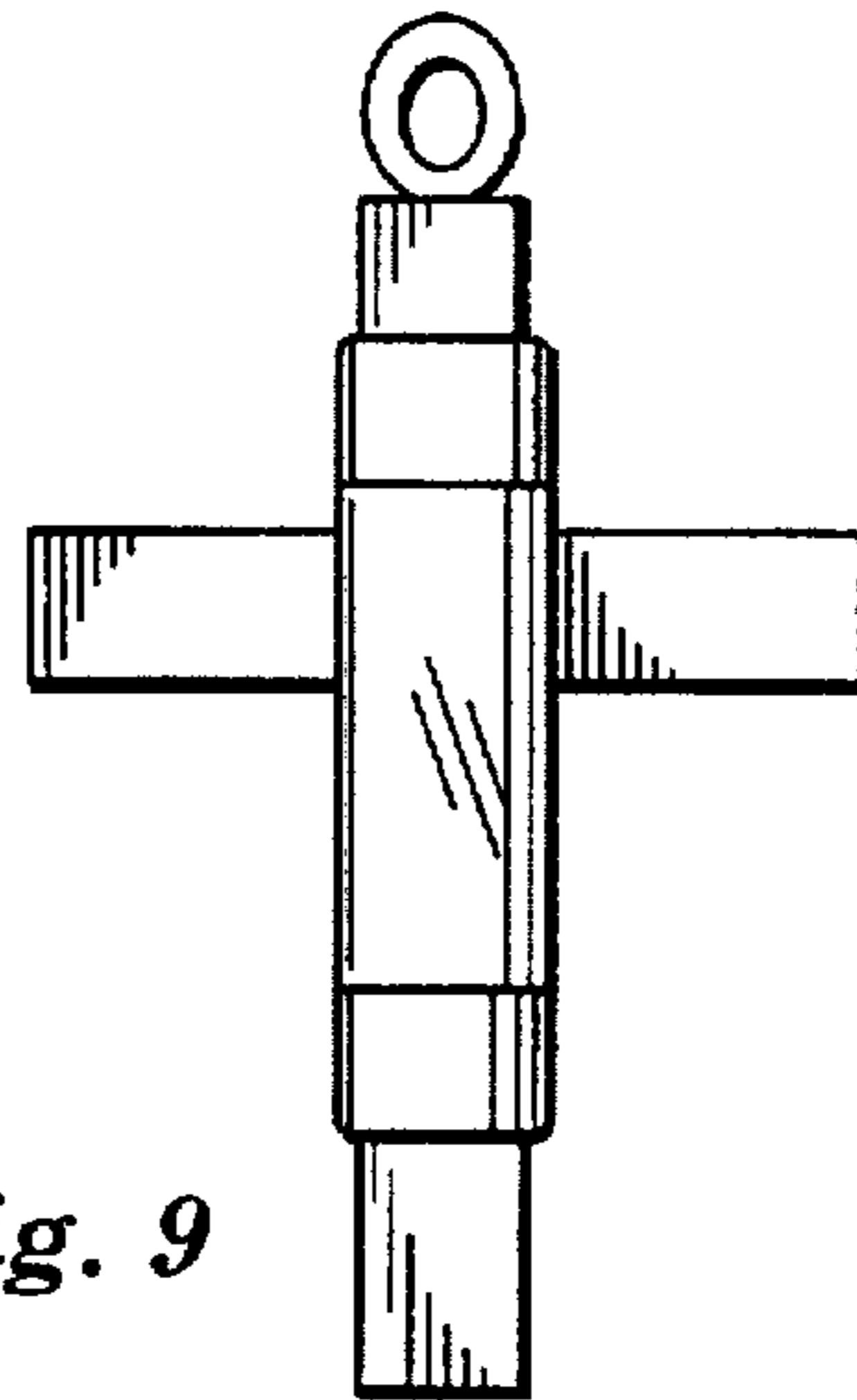


Fig. 9

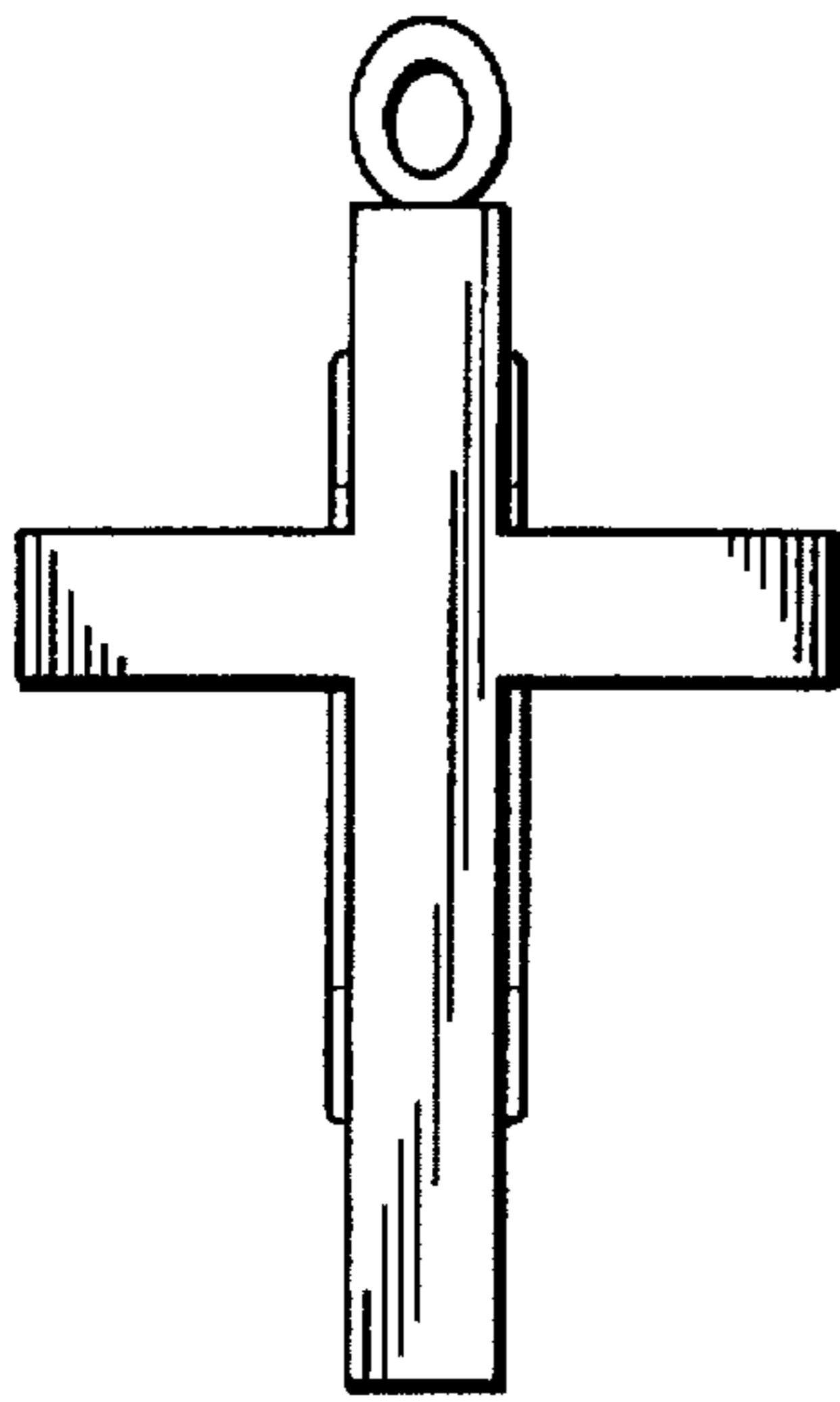


Fig. 10

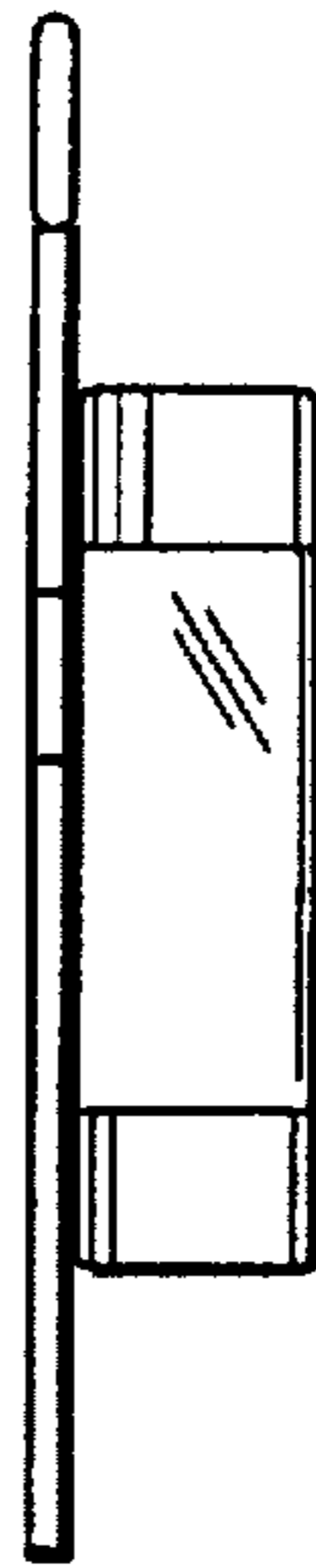


Fig. 11



Fig. 12

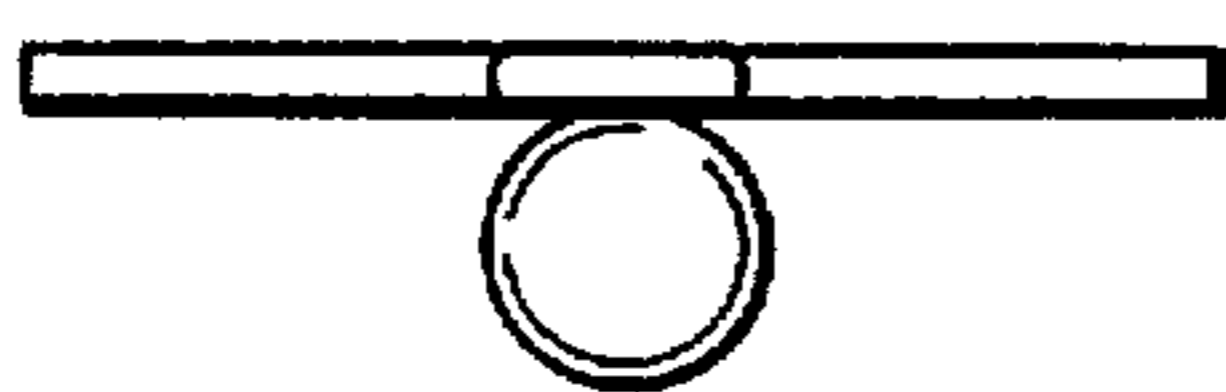


Fig. 13



Fig. 14