



US00D395124S

United States Patent [19]

[11] Patent Number: Des. 395,124

Warren

[45] Date of Patent: **Jun. 9, 1998

[54] TOMBSTONE MEMORIAL PLAQUE AND SUPPORT BRACKET

Primary Examiner—Paula A. Mortimer
Attorney, Agent, or Firm—Miller, Morriss and Pappas

[76] Inventor: David O. Warren, 4302 Ballantine Rd.,
Dewitt, Mich. 48820

[57] CLAIM

[**] Term: 14 Years

The ornamental design for tombstone memorial plaque and support bracket, as shown and described.

[21] Appl. No.: 60,008

DESCRIPTION

[22] Filed: Sep. 19, 1996

FIG. 1 is a front elevational view of the tombstone memorial plaque and support bracket showing my new design;

[51] LOC (6) Cl. 08-05

FIG. 2 is a left side elevational view thereof;

[52] U.S. Cl. D99/17; D8/380

FIG. 3 is a top plan view thereof;

[58] Field of Search D99/17; D20/40,
D20/41; D8/354, 380, 381, 394; 52/38,
105; 40/124.5, 585, 606, 658, 651

FIG. 4 is a rear elevational view thereof;

FIG. 5 is a left side elevational view thereof of a second embodiment of a tombstone memorial plaque and support bracket showing my new design, the right side is a mirror image;

[56] References Cited

FIG. 6 is a front elevational view thereof;

U.S. PATENT DOCUMENTS

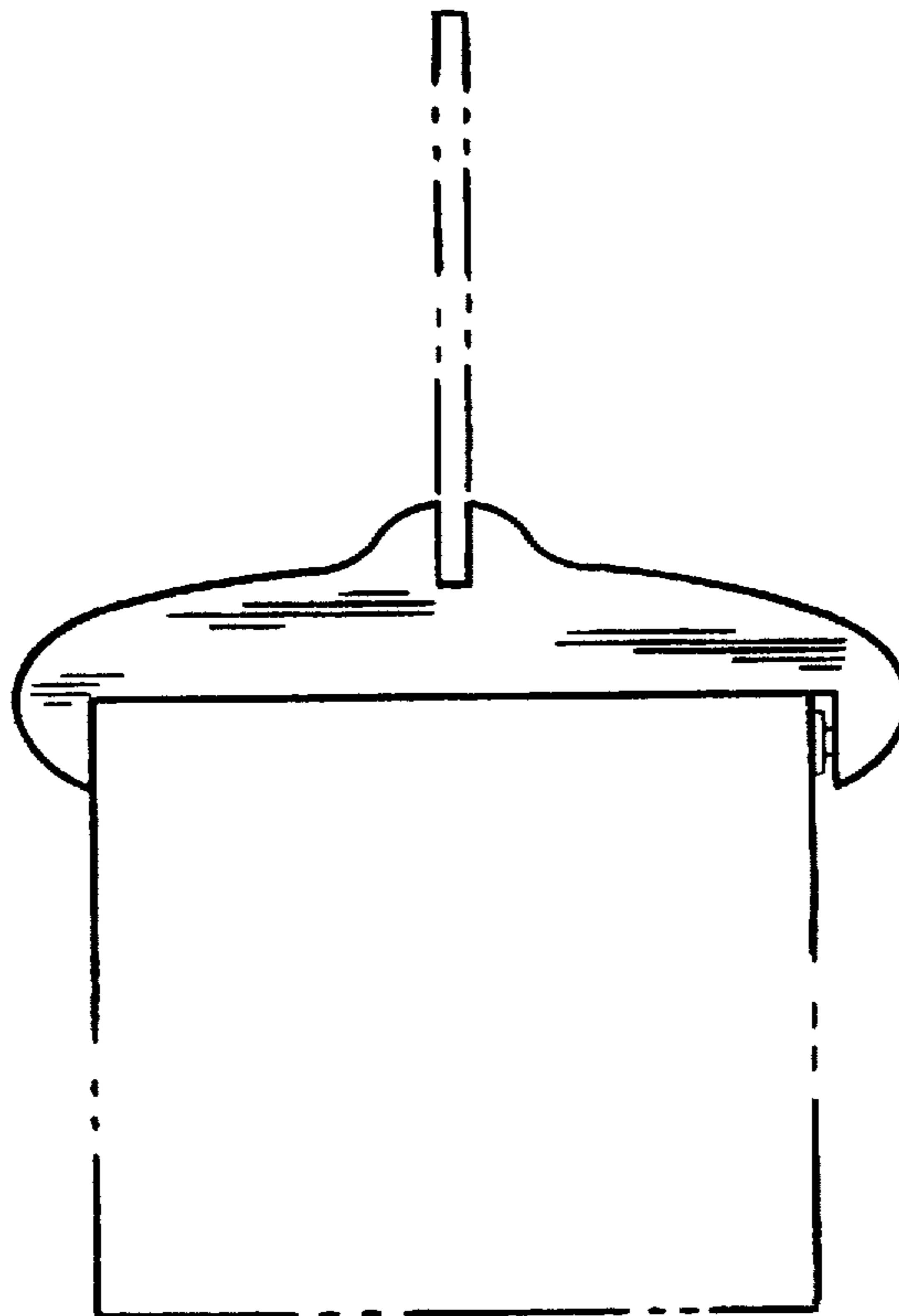
FIG. 7 is a top plan view thereof; and,

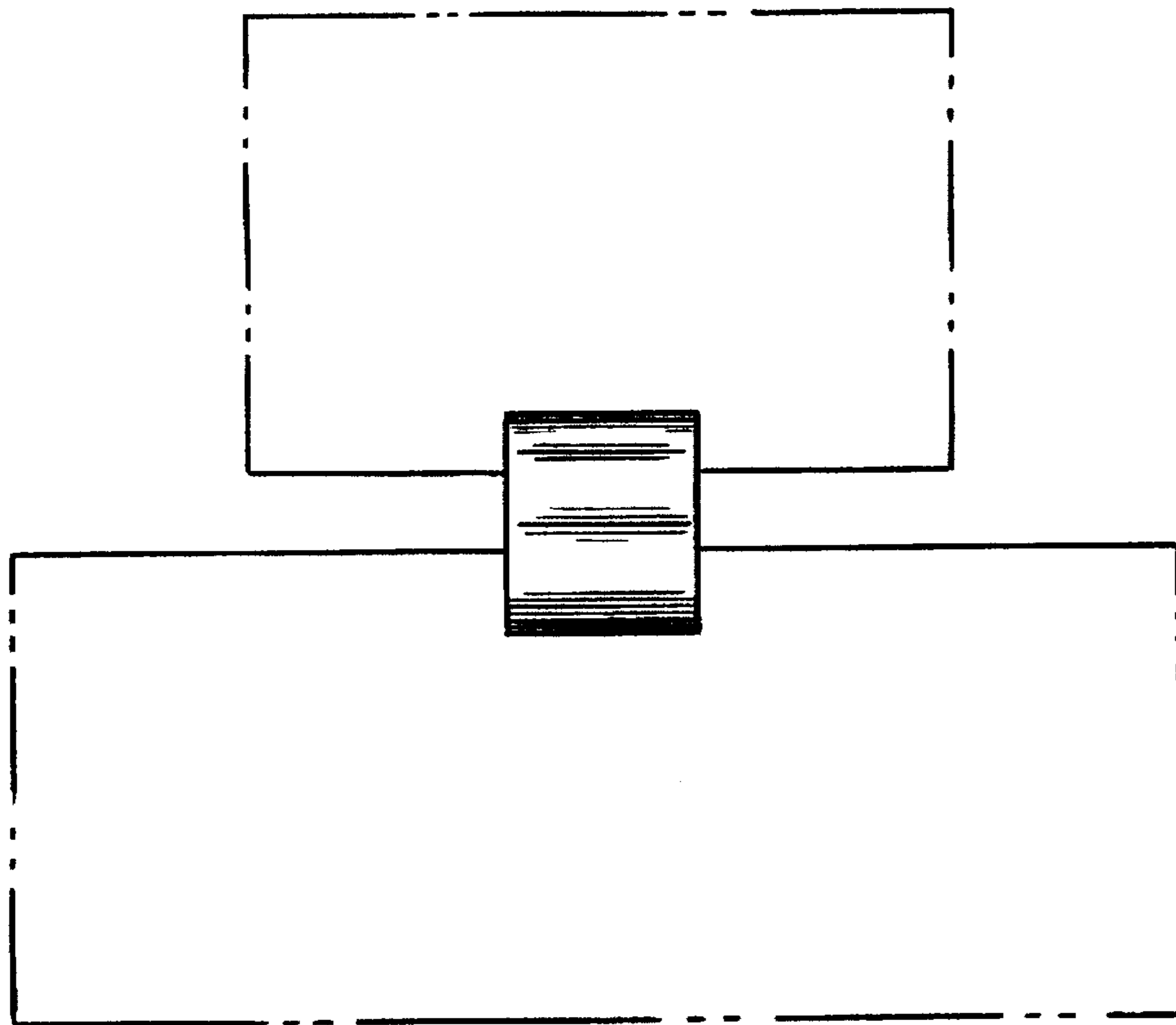
D. 216,497	1/1970	Dorris	D8/380
337,769	3/1886	Huston	40/124.5
2,552,685	5/1951	McCarthy	52/38 X
2,800,732	7/1957	Duran	40/658
3,172,220	3/1965	Christensen	D20/41 X

FIG. 8 is a rear elevational view thereof.

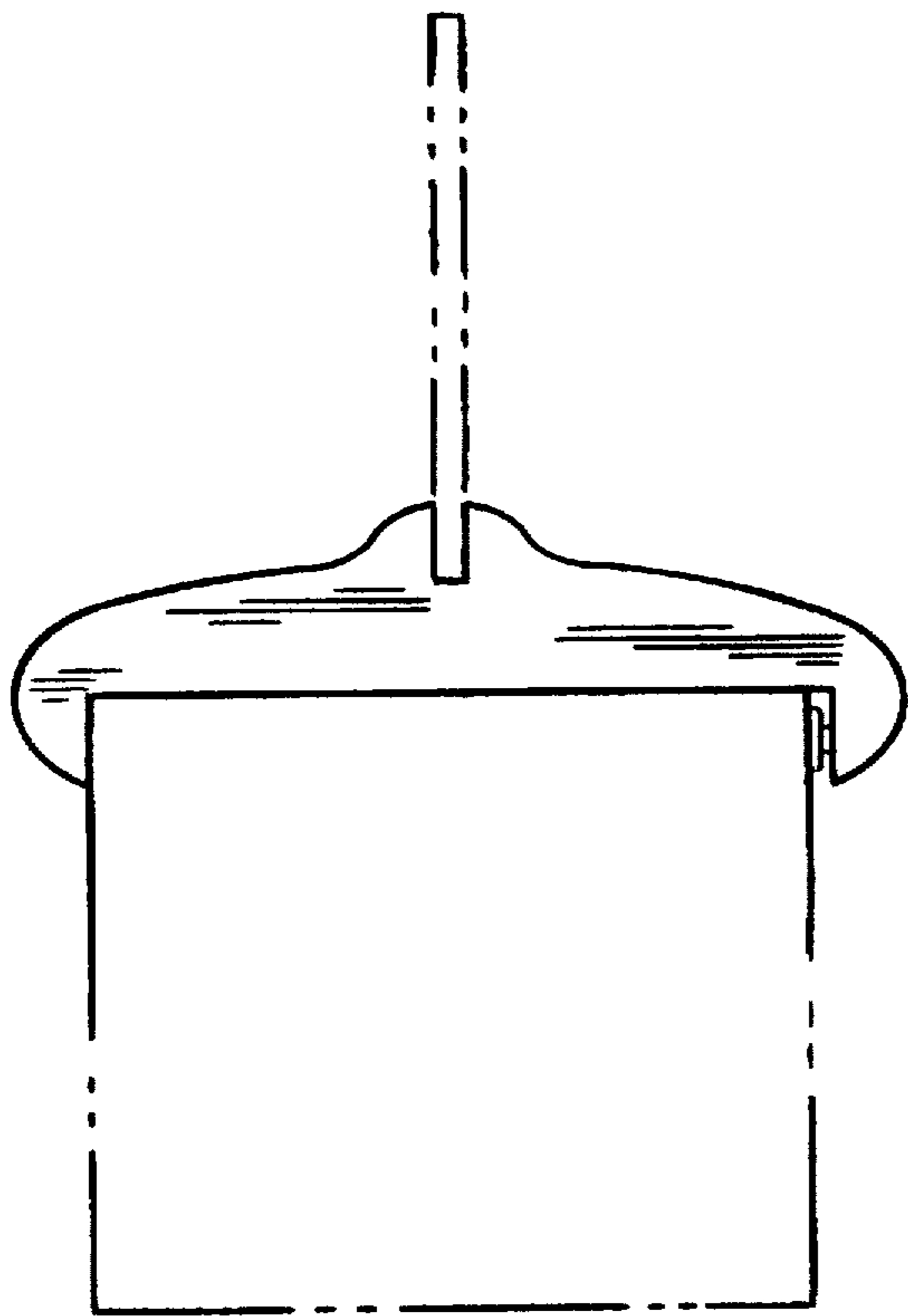
The broken line showing of the tombstone and plaque in FIGS. 1 and 2 is for illustrative purposes only and forms no part of the claimed design.

1 Claim, 2 Drawing Sheets

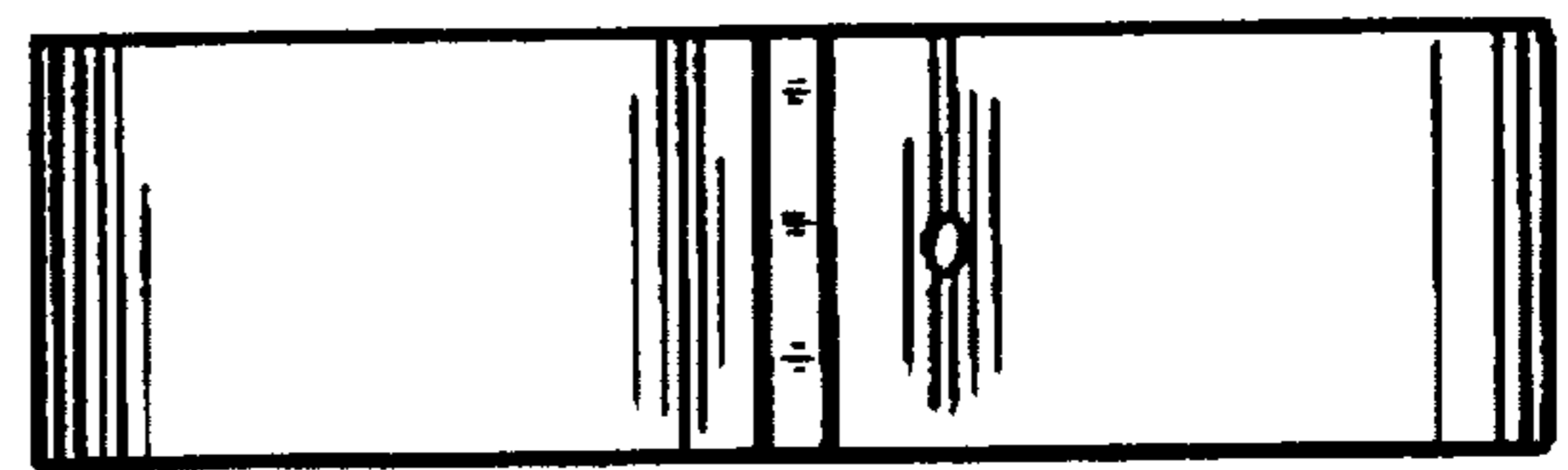




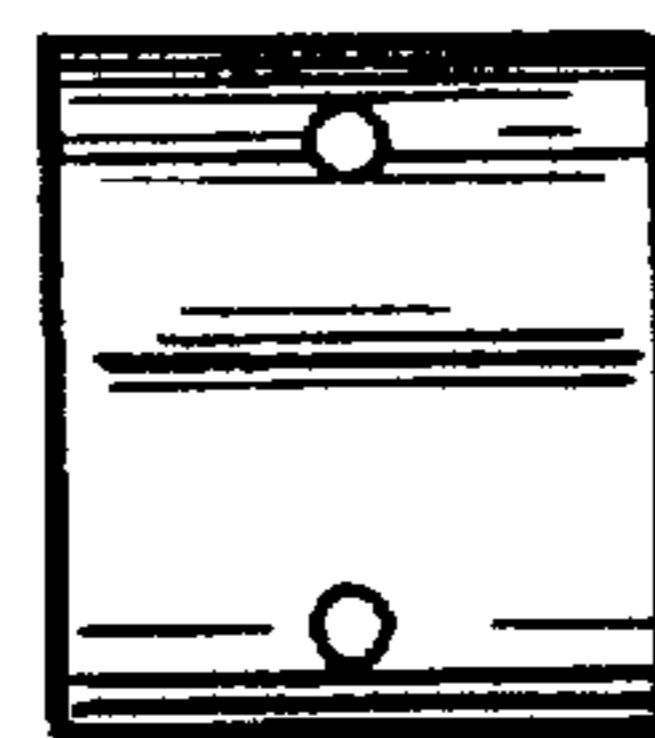
—FIG. 1



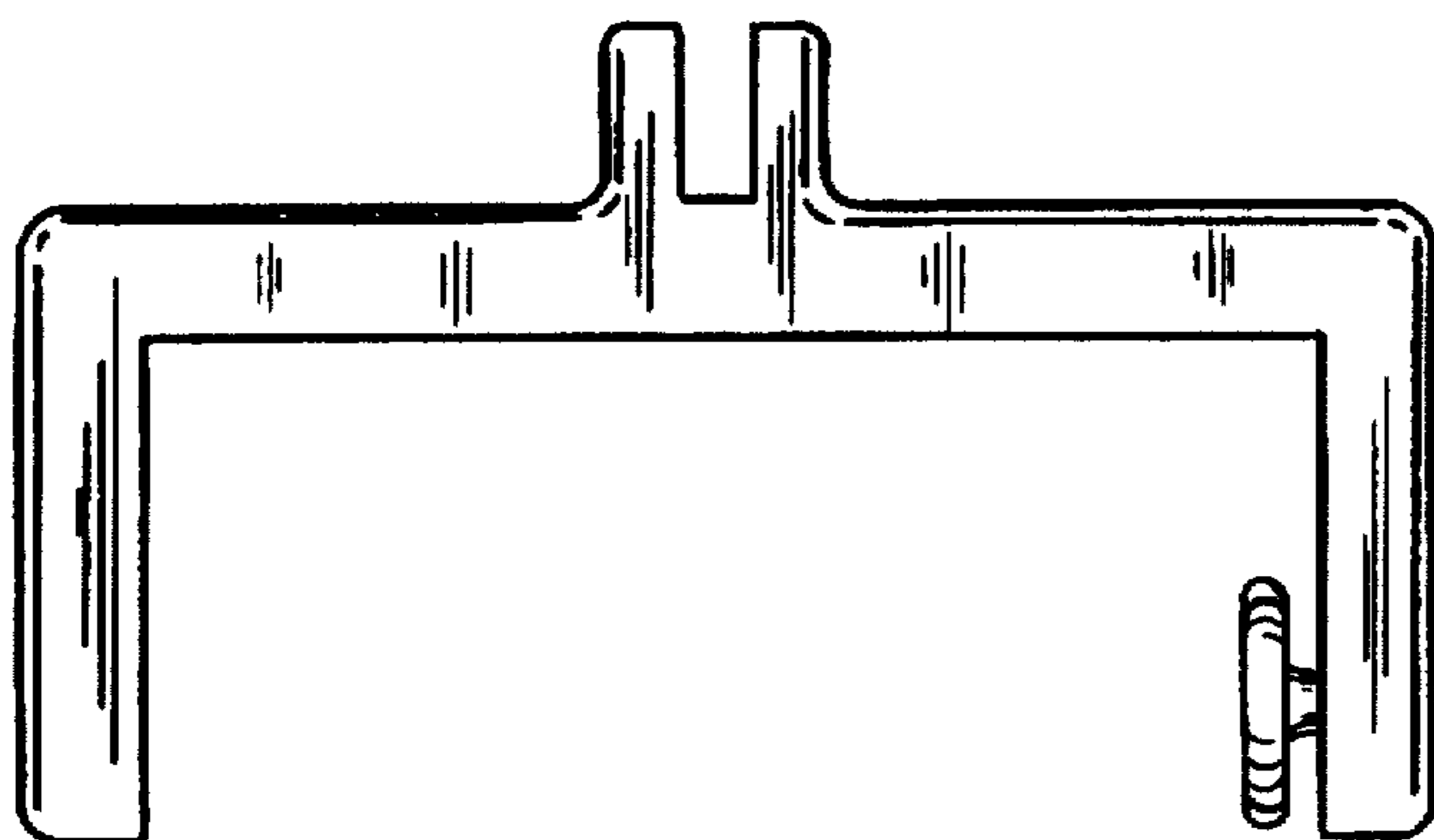
—FIG. 2



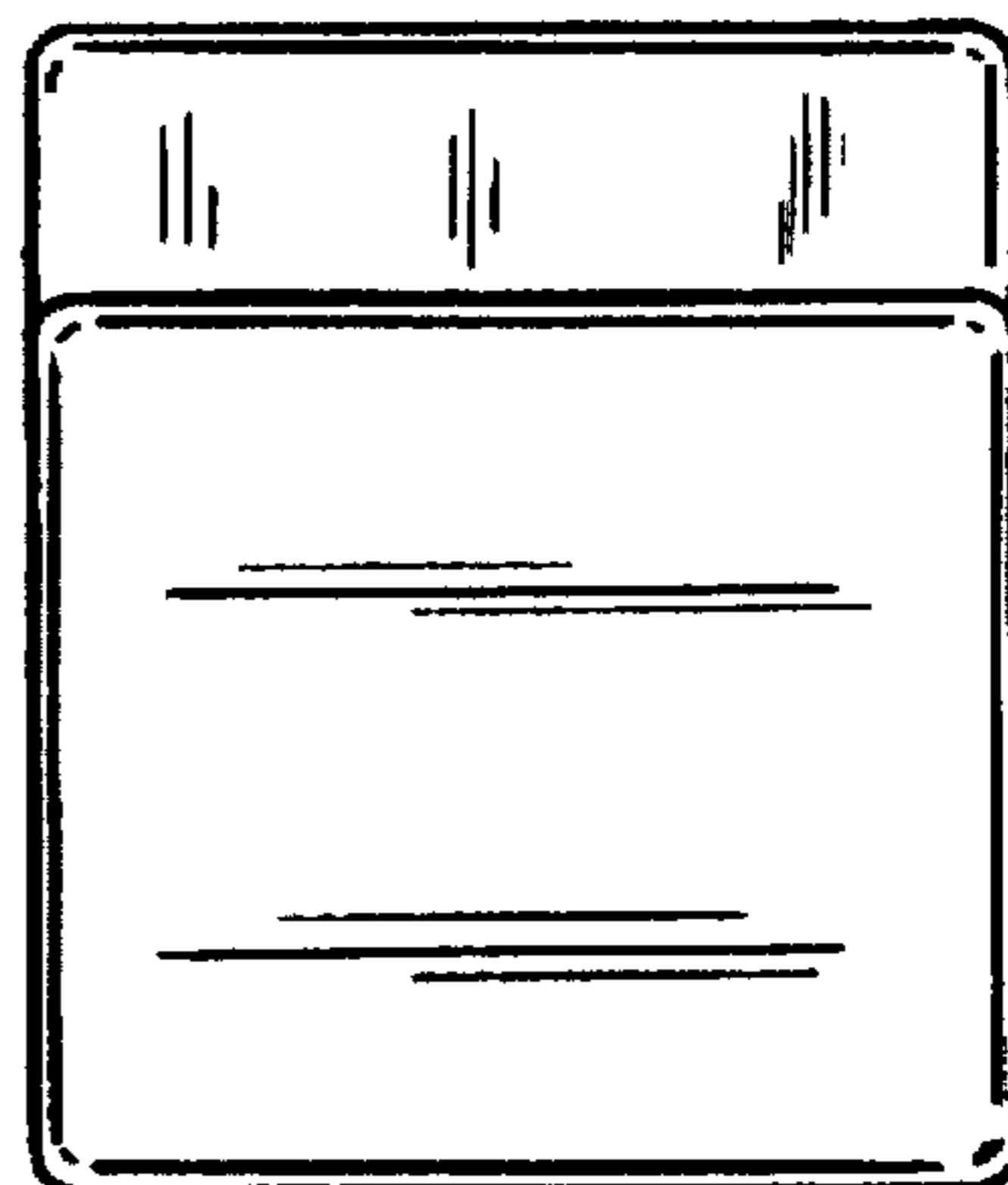
—FIG. 3



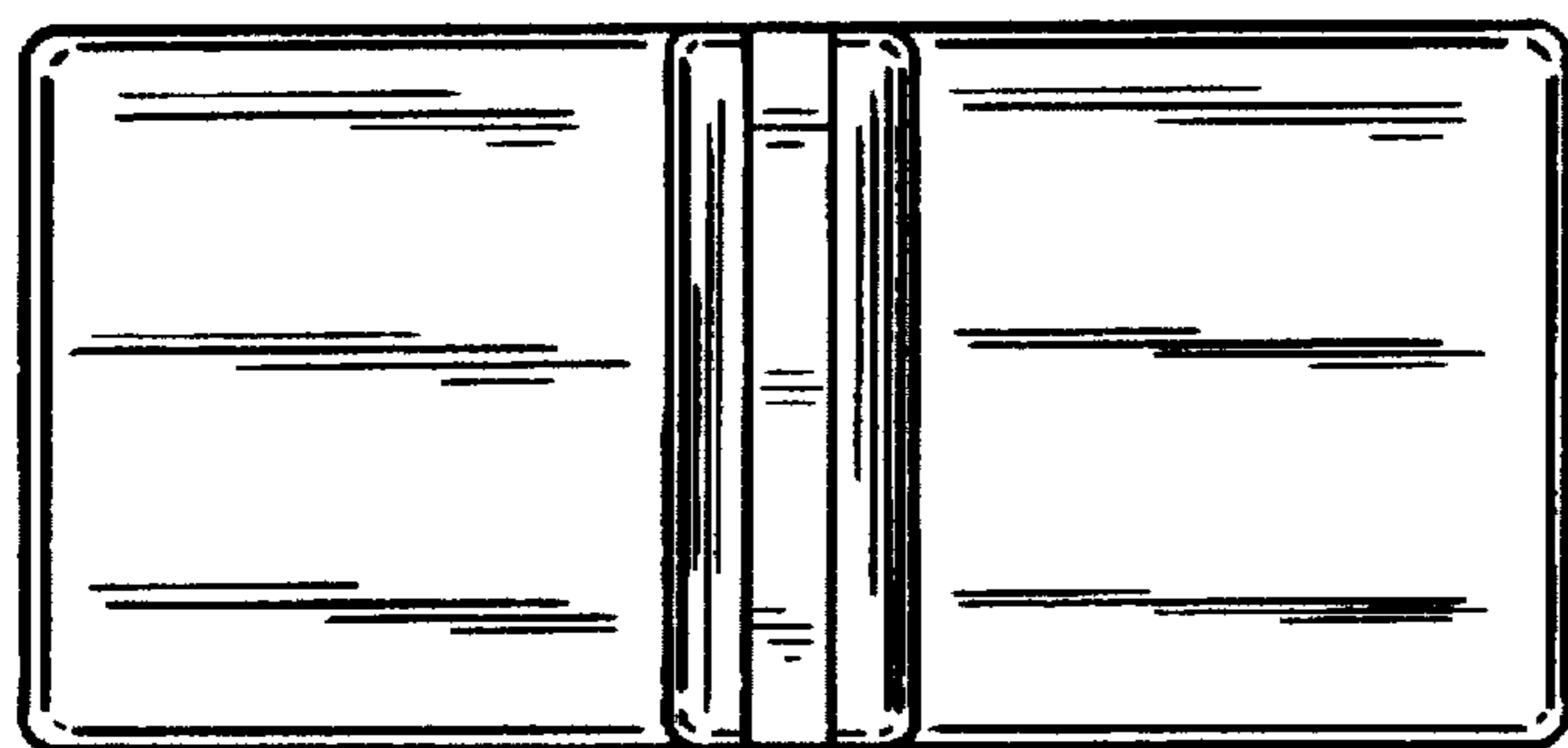
—FIG. 4



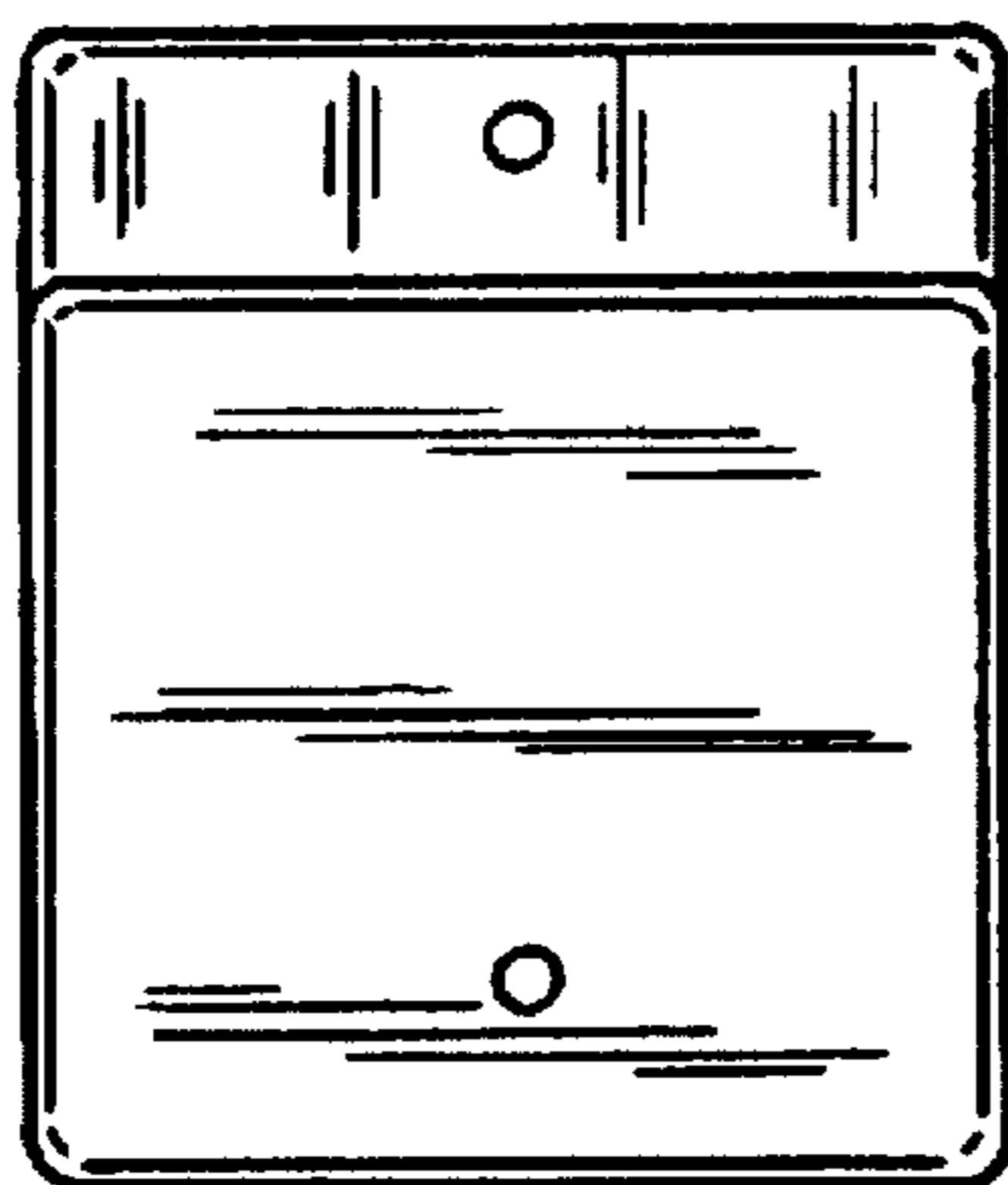
—FIG. 5



—FIG. 6



—FIG. 7



—FIG. 8