



US00D395123S

# United States Patent [19]

Barretto

[11] Patent Number: Des. 395,123

[45] Date of Patent: \*\*Jun. 9, 1998

[54] URN

[76] Inventor: **Teresa P. Barretto**, 11830 Pasedo Lucido, #2028, San Diego, Calif. 92128

[\*\*] Term: 14 Years

[21] Appl. No.: 69,825

[22] Filed: Apr. 17, 1997

[51] LOC (6) Cl. .... 99-00

[52] U.S. Cl. .... D99/5; D9/432

[58] Field of Search ..... D99/1, 5, 8, 15; D9/401, 414, 424, 430, 431, 432; 229/108, 108.1; 27/1, 2, 3, 4

[56] **References Cited**

**U.S. PATENT DOCUMENTS**

- D. 121,995 8/1940 May ..... D9/432
- D. 213,777 4/1969 Chandler ..... D99/5
- D. 248,171 6/1978 Sugarman ..... D99/5
- D. 266,619 10/1982 Krech ..... D99/5

- D. 268,623 4/1983 Dercks et al. .... D99/5
- D. 272,577 2/1984 Dercks ..... D99/5
- D. 272,605 2/1984 Pelletier ..... D9/432 X
- D. 359,831 6/1995 Parker ..... D99/5
- D. 374,962 10/1996 Allen et al. .... D99/5
- 3,174,675 3/1965 Rosenberg, Jr. .... 229/108

*Primary Examiner*—Paula A. Mortimer  
*Attorney, Agent, or Firm*—John P. Sumner

[57] **CLAIM**

The ornamental design for an urn, as shown and described.

**DESCRIPTION**

FIG. 1 is a perspective view of an urn showing my new design;  
FIG. 2 is a right side elevation view thereof;  
FIG. 3 is a front elevation view thereof;  
FIG. 4 is a top view of thereof;  
FIG. 5 is a back elevation view thereof; and,  
FIG. 6 is a bottom view thereof.

**1 Claim, 2 Drawing Sheets**

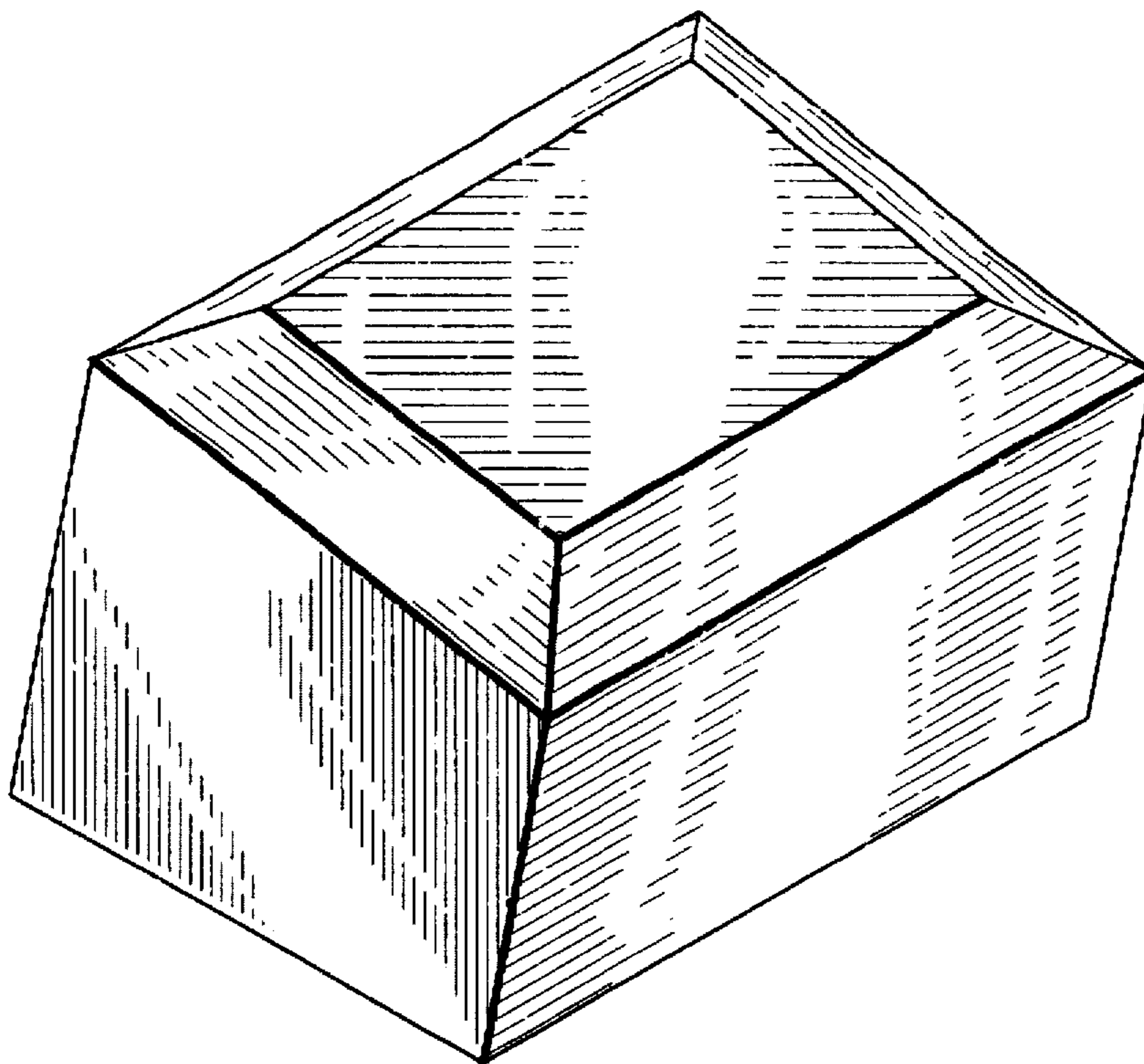


FIG. 1

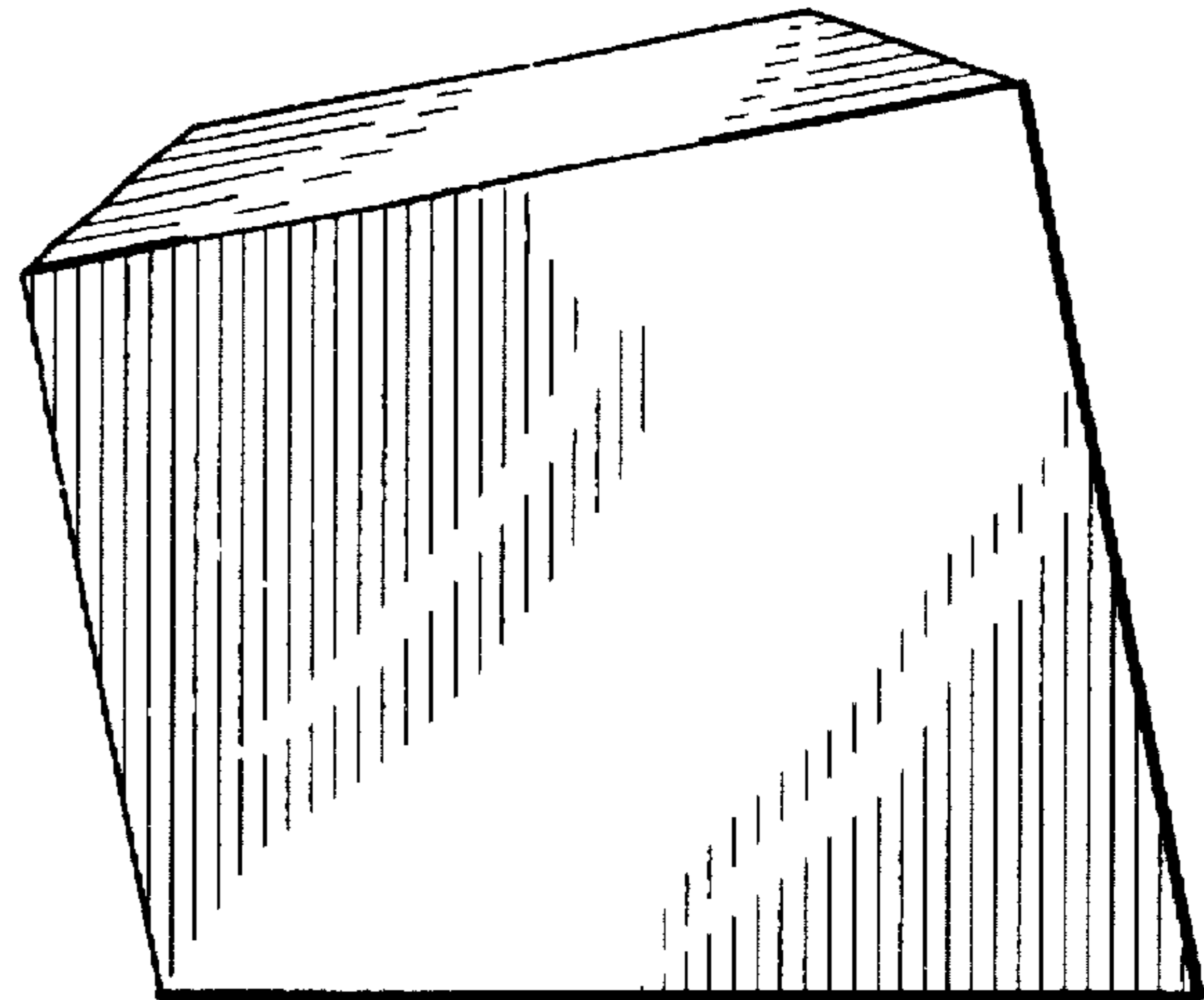
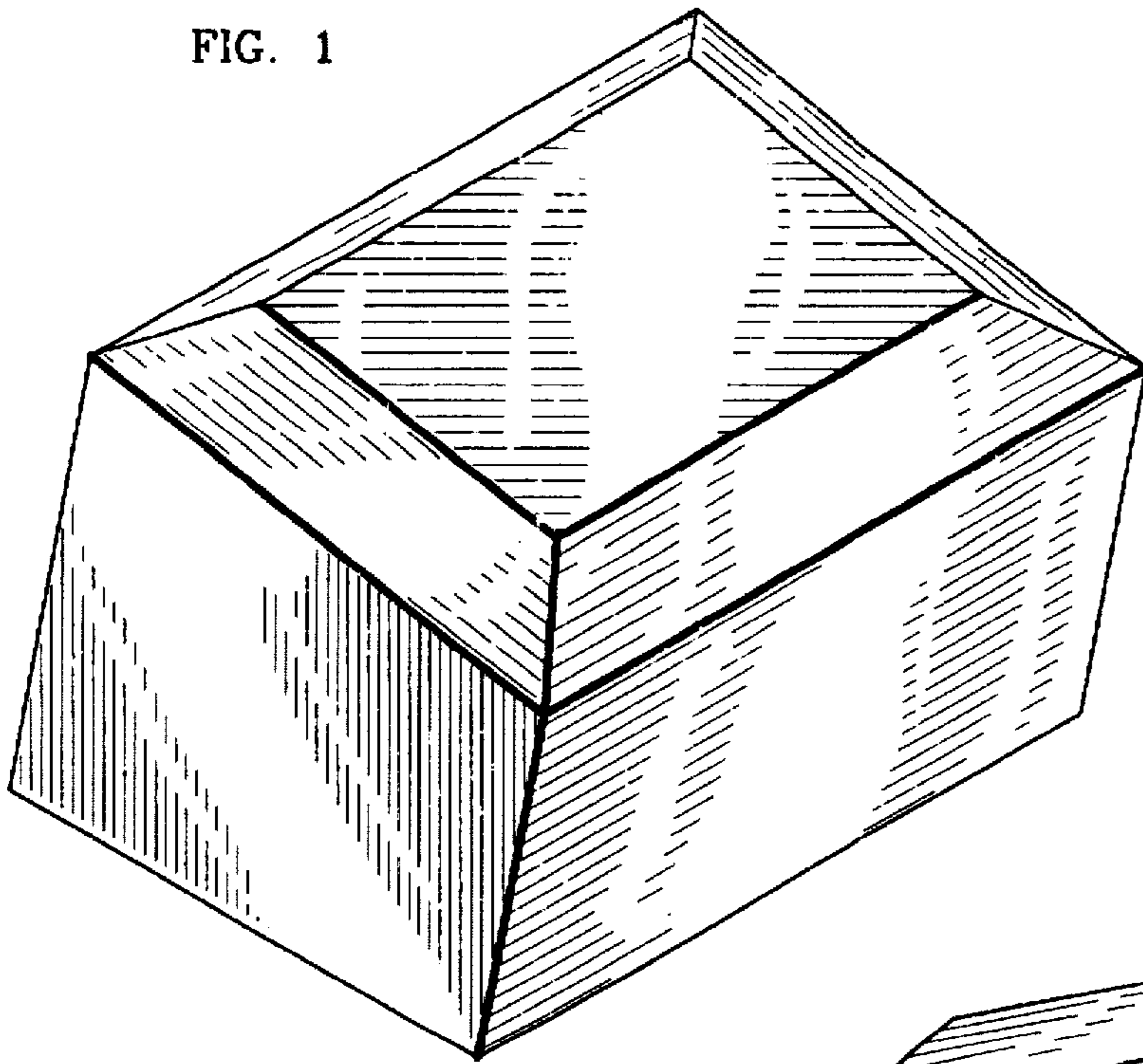


FIG. 2

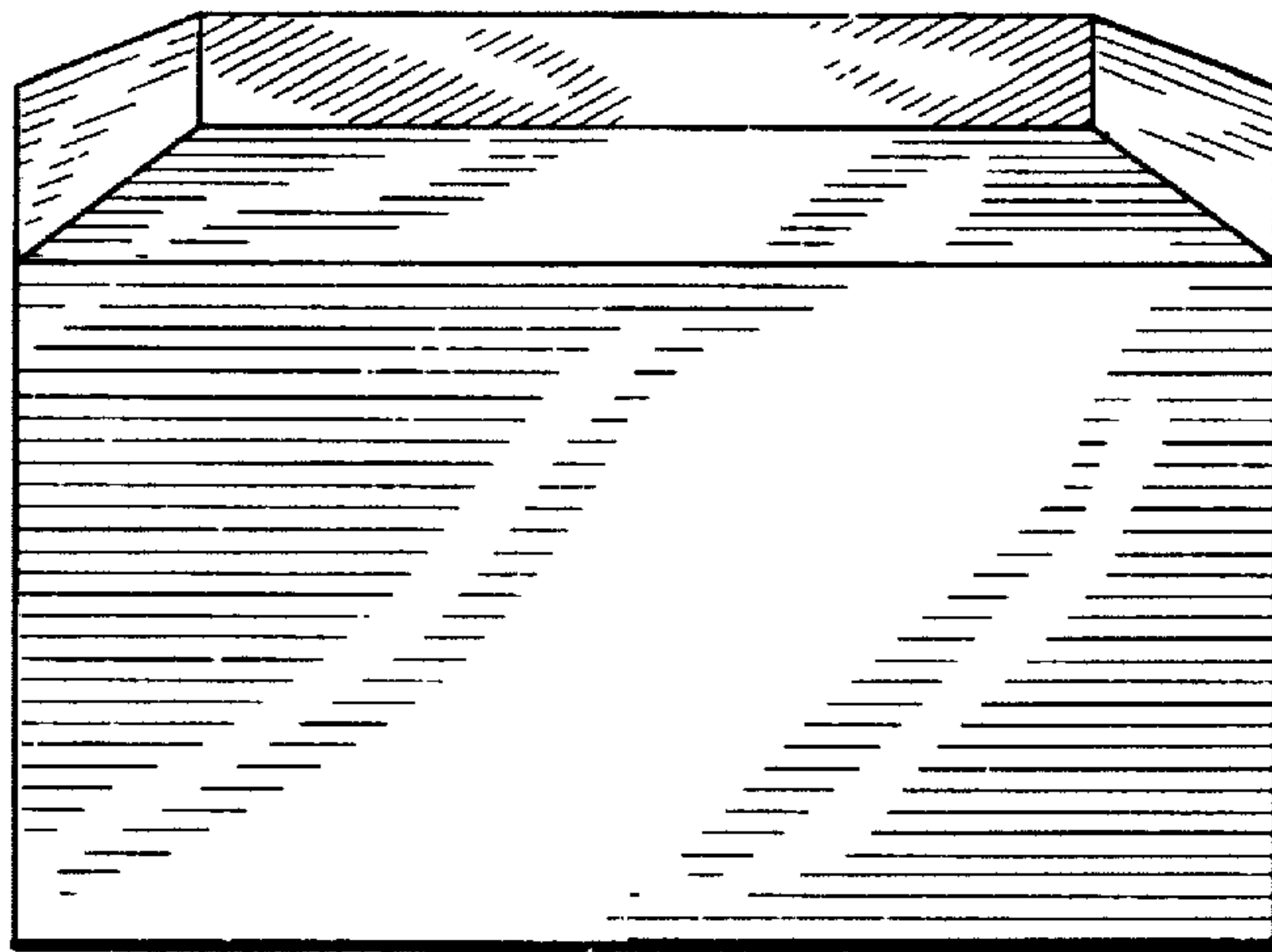


FIG. 3

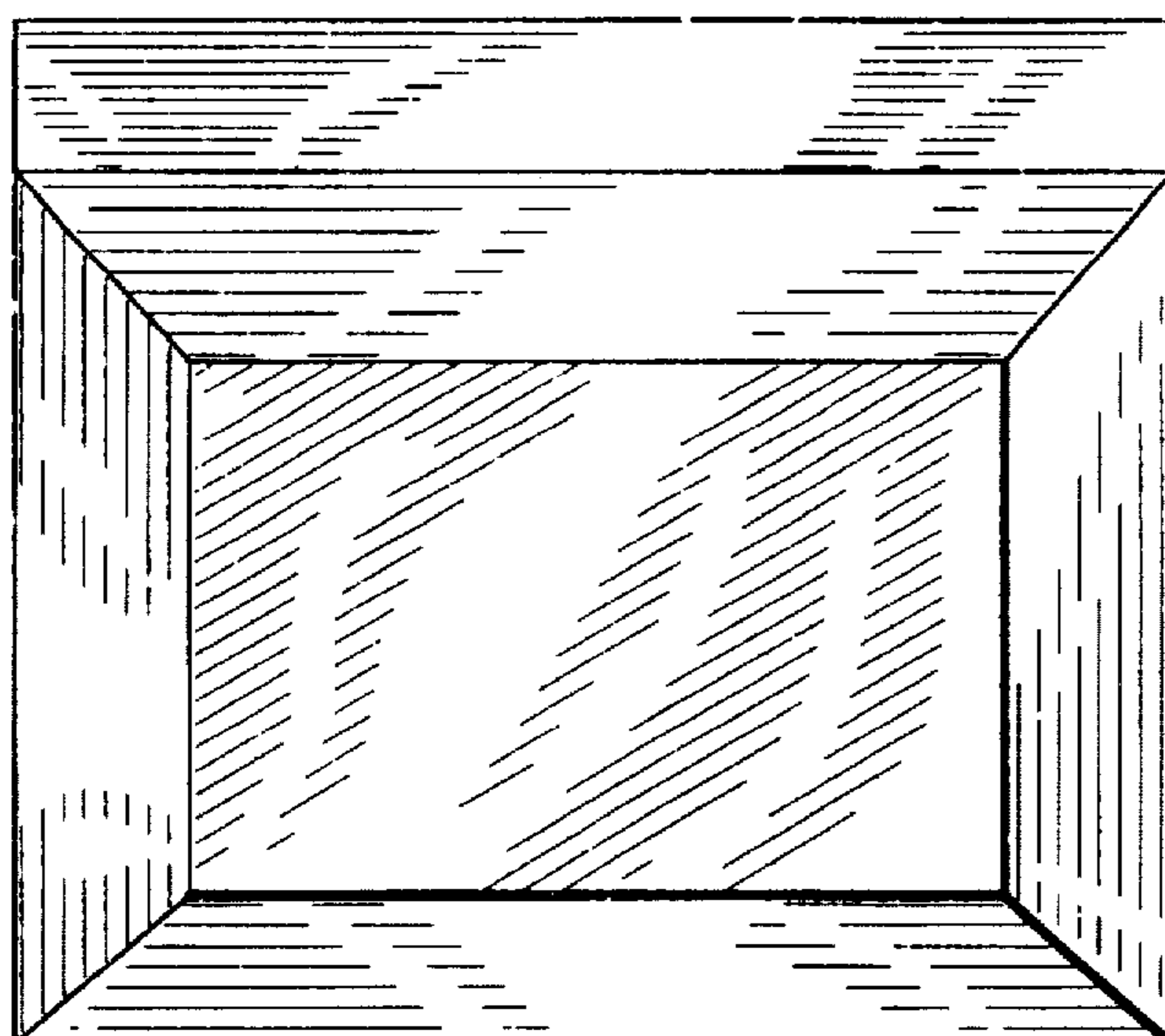


FIG. 4

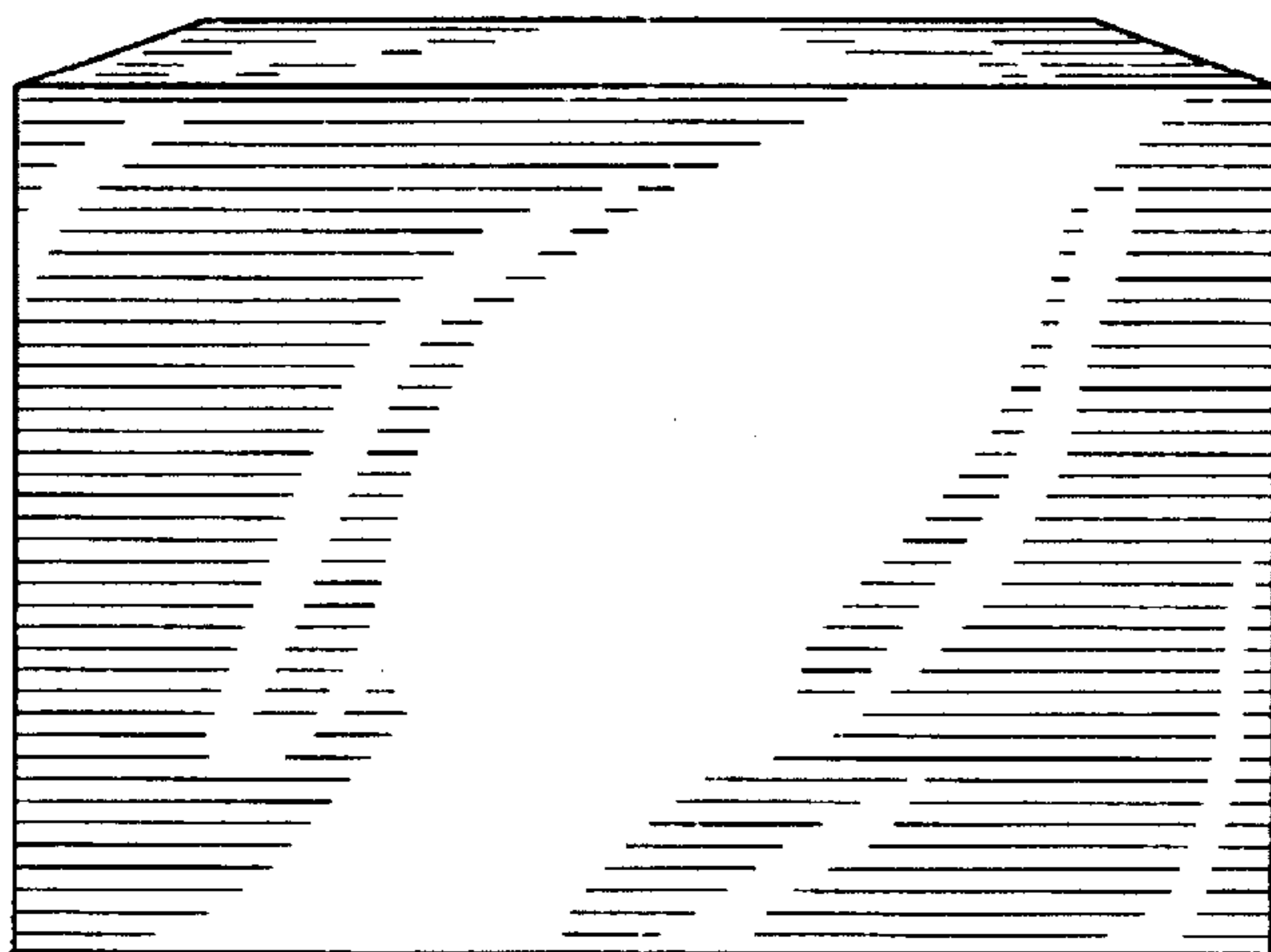


FIG. 5

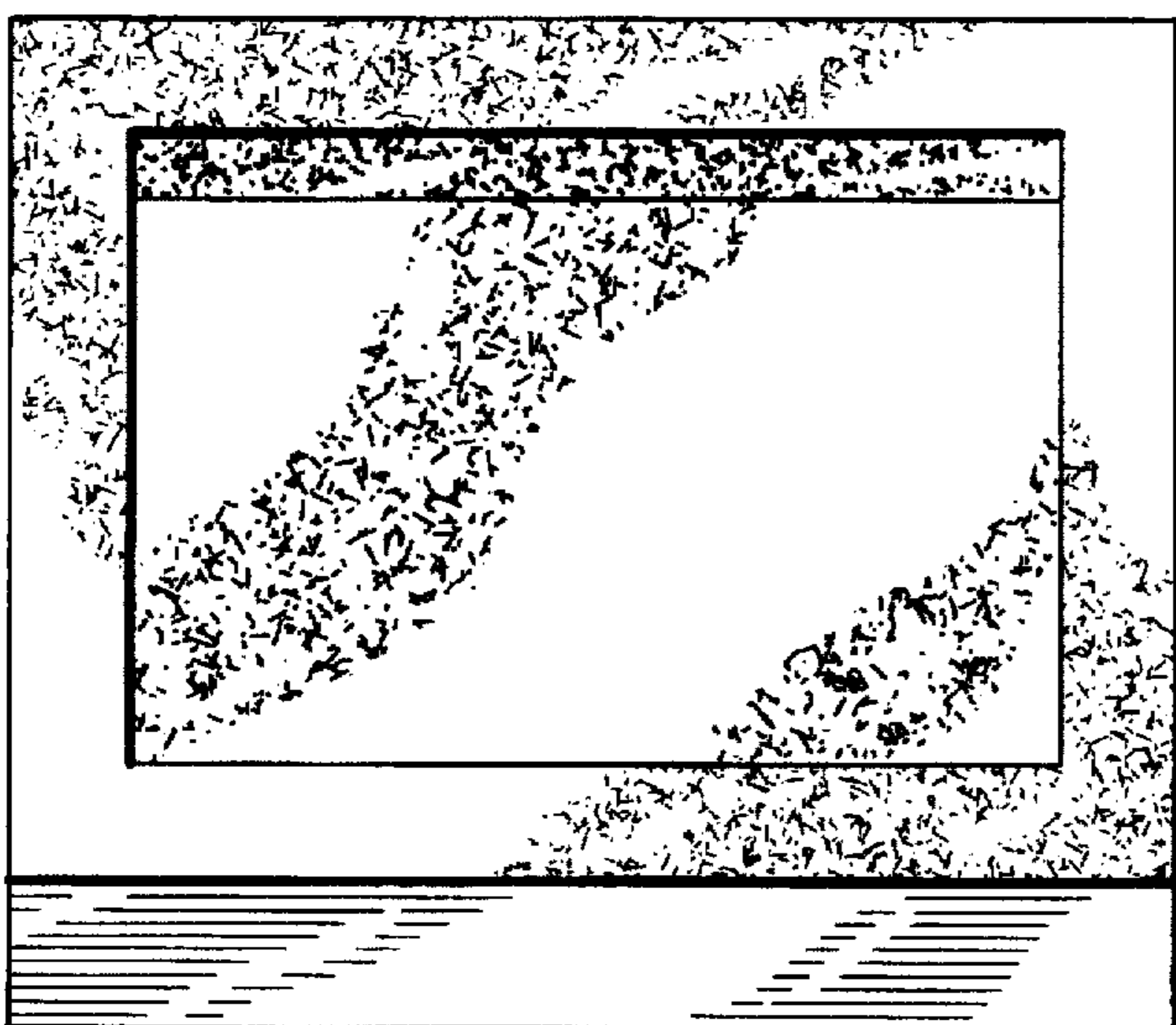


FIG. 6