



US00D395122S

United States Patent [19]
Dunlop

[11] **Patent Number: Des. 395,122**

[45] **Date of Patent: **Jun. 9, 1998**

[54] **BURIAL URN**

[76] **Inventor: Angela Dunlop, 3640 Meriden Ave.,
Apt. B, Oldsmar, Hillsborough County,
Fla. 34677**

[**] **Term: 14 Years**

[21] **Appl. No.: 67,690**

[22] **Filed: Mar. 12, 1997**

[51] **LOC (6) Cl. 99-00**

[52] **U.S. Cl. D99/5; D99/19**

[58] **Field of Search D99/17, 19; D11/131,
D11/132, 140; D19/26; D6/486, 400; D26/9;
40/124.5; 27/1; 52/38**

[56] **References Cited**

U.S. PATENT DOCUMENTS

- D. 19,648 2/1890 Sweet D9/26
- D. 29,877 12/1898 Miller et al. D26/9
- D. 44,530 8/1913 Hanold D99/17
- D. 182,849 5/1958 Rettman D99/19
- D. 290,796 7/1987 Becker D6/486 X

- D. 293,956 1/1988 Miller D99/19 X
- D. 359,151 6/1995 Stewart D99/17
- D. 381,182 7/1997 Whited D99/17
- 1,844,048 2/1932 Spreer 52/38
- 1,940,771 12/1933 Prier 27/1
- 2,075,859 4/1937 Martin 52/38

Primary Examiner—Paula A. Mortimer
Attorney, Agent, or Firm—A. W. Fisher, III

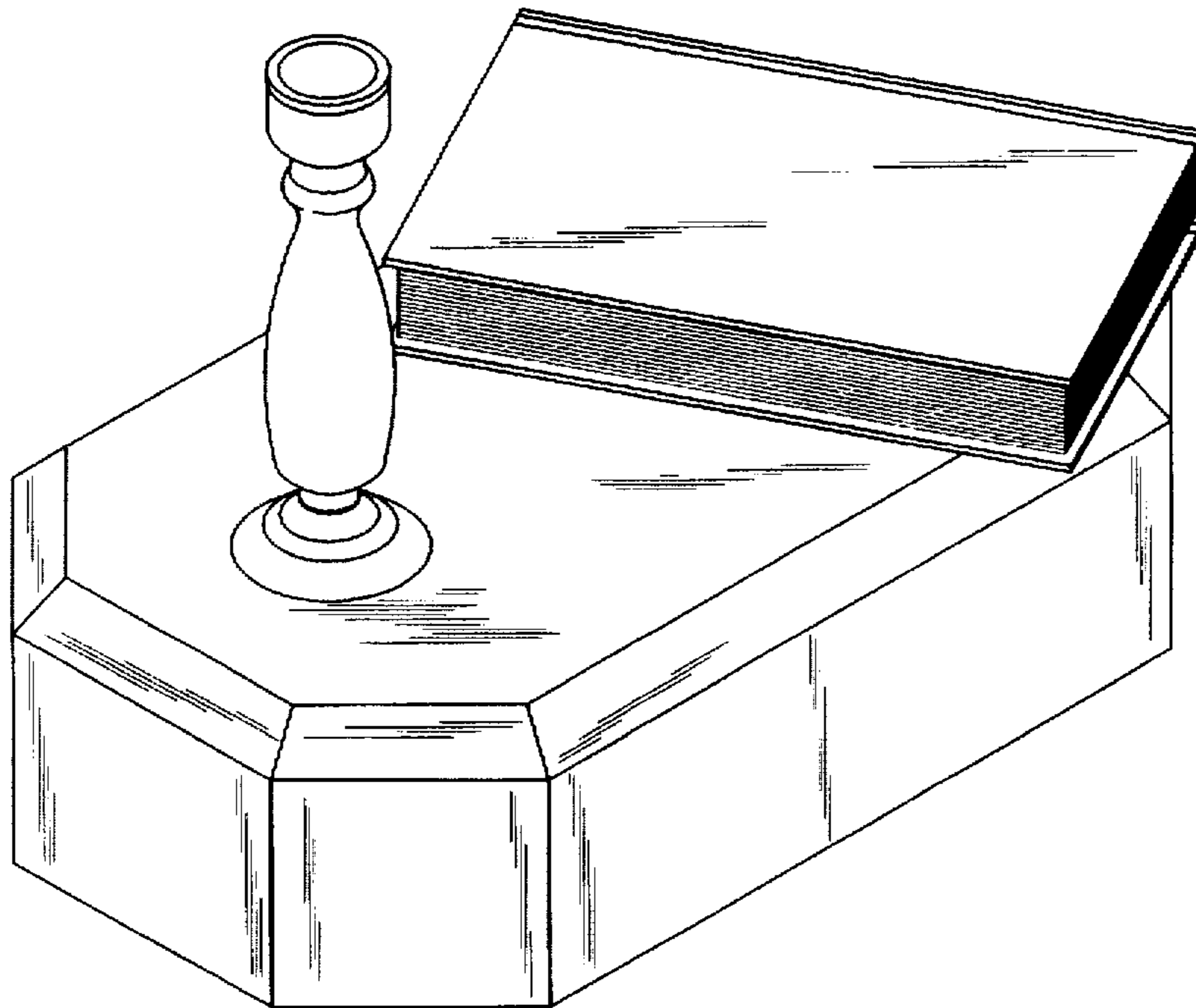
[57] **CLAIM**

The ornamental design for a burial urn, as shown and described.

DESCRIPTION

FIG. 1 is an isometric view of a burial urn showing my new design;
FIG. 2 is a front elevation view of the burial urn thereof;
FIG. 3 is a rear elevational view of the burial urn thereof;
FIG. 4 is a left side elevational view of the burial urn thereof;
FIG. 5 is a right elevational view of the burial urn thereof;
FIG. 6 is a top elevational view of the burial urn thereof; and,
FIG. 7 is a bottom view of the burial urn thereof.

1 Claim, 4 Drawing Sheets



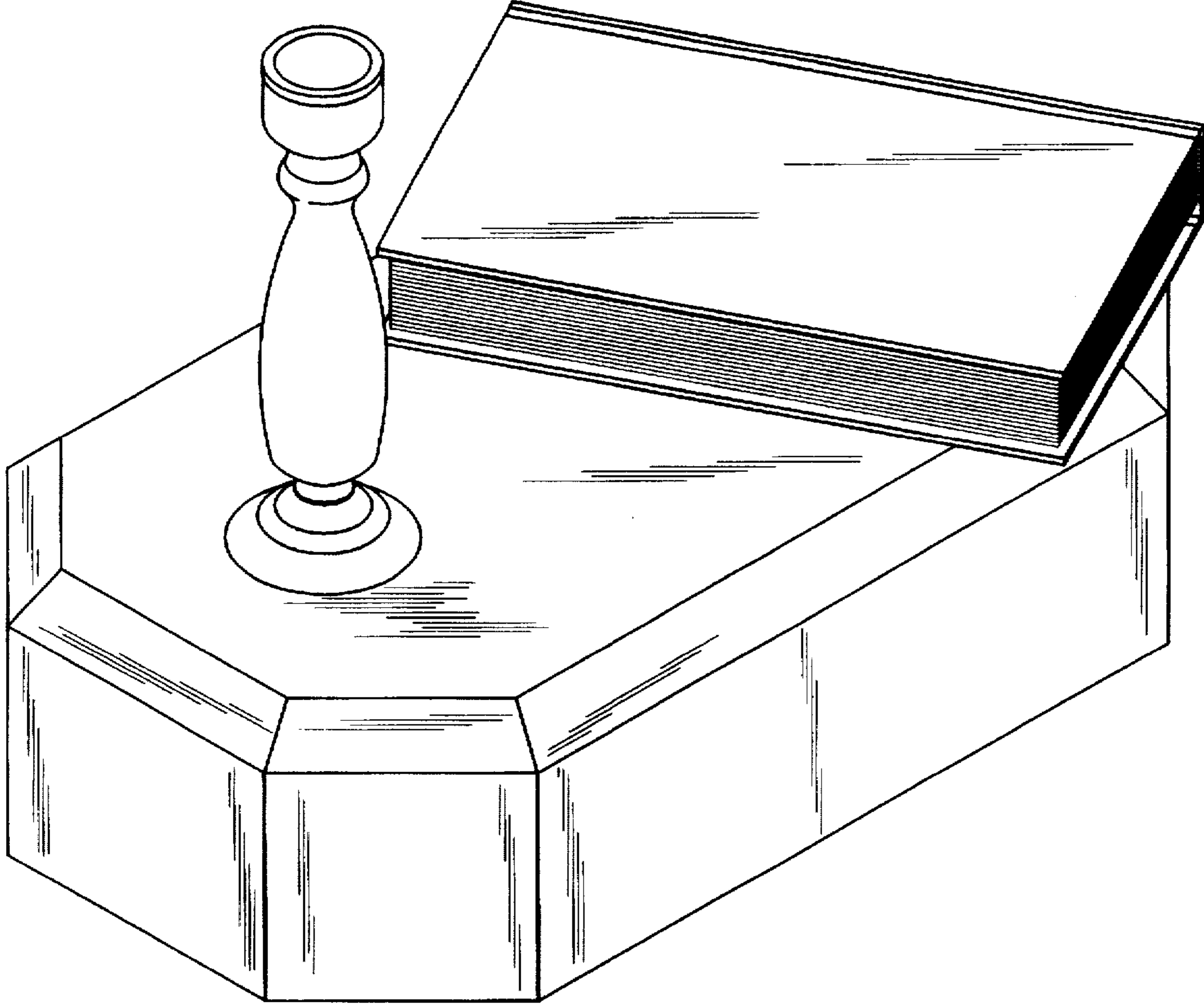


Fig. 1

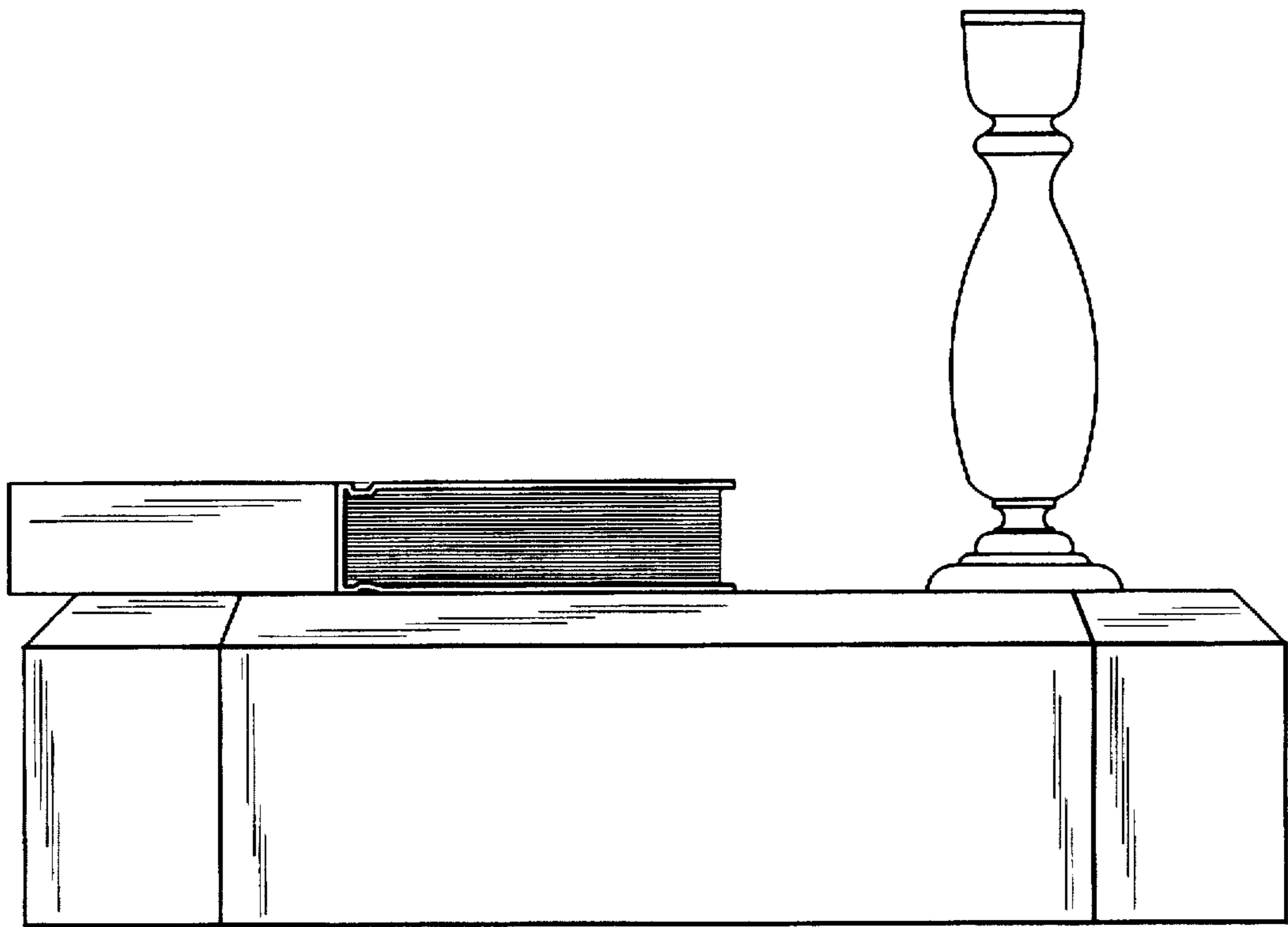


Fig. 3

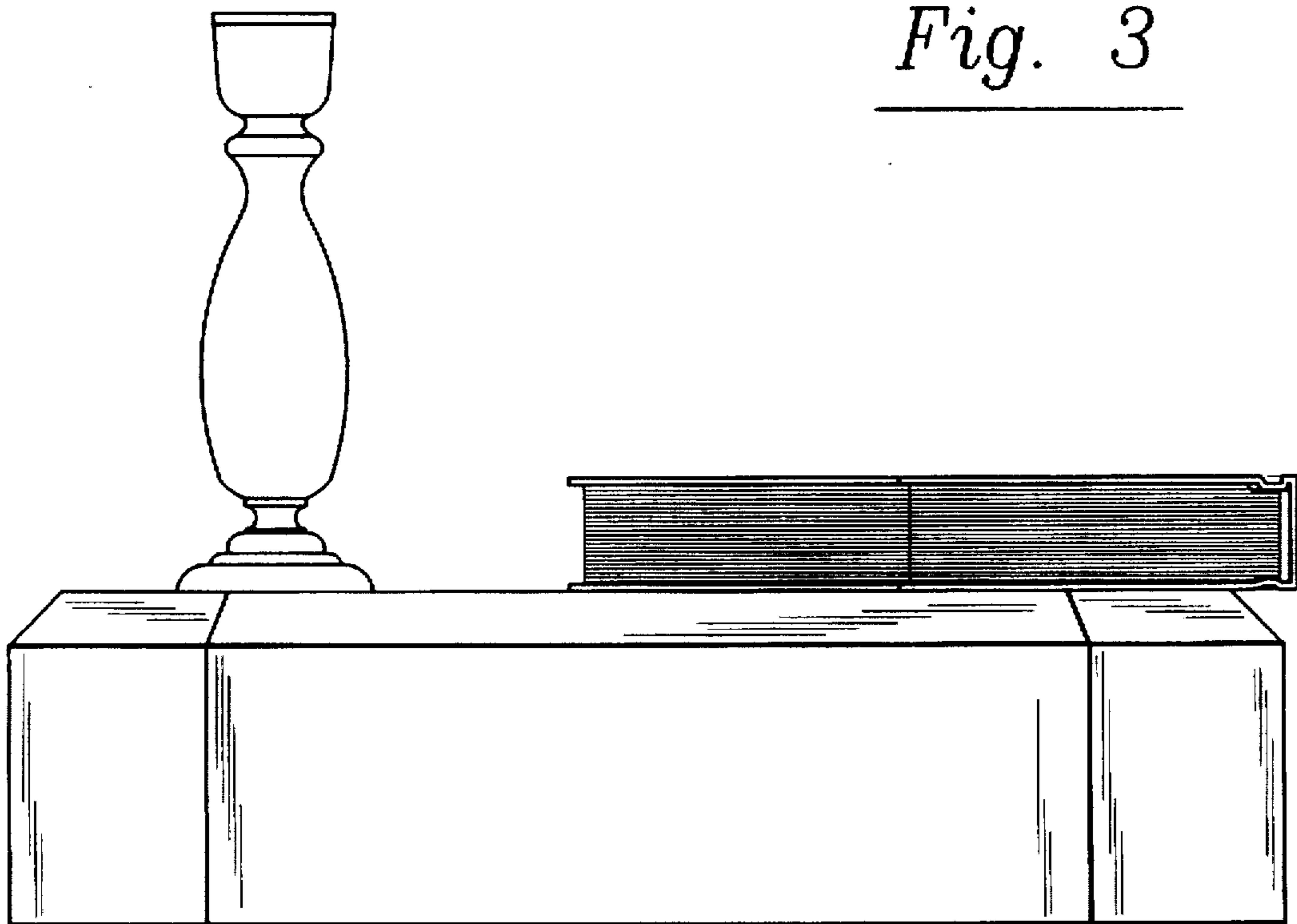


Fig. 2

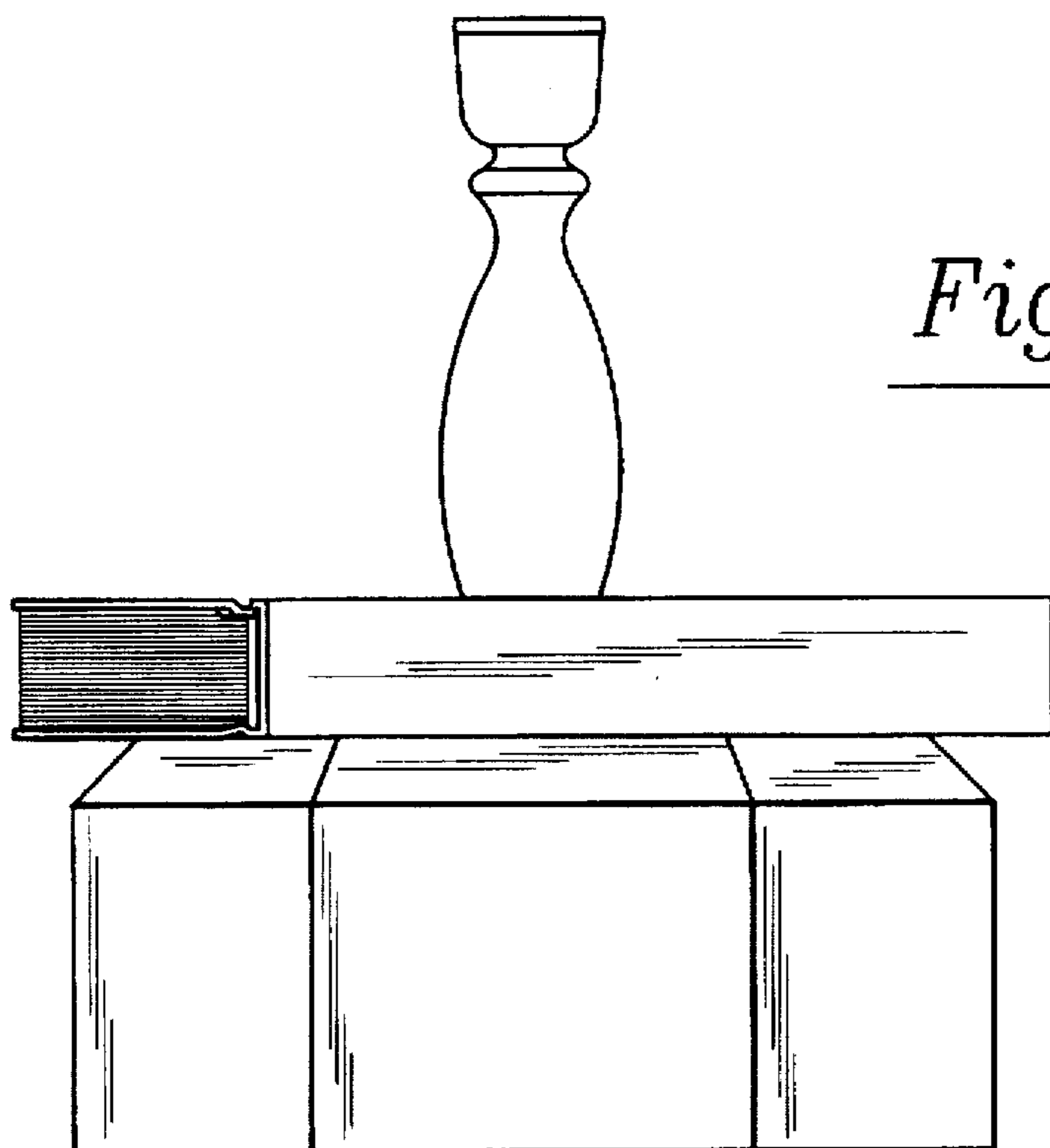


Fig. 4

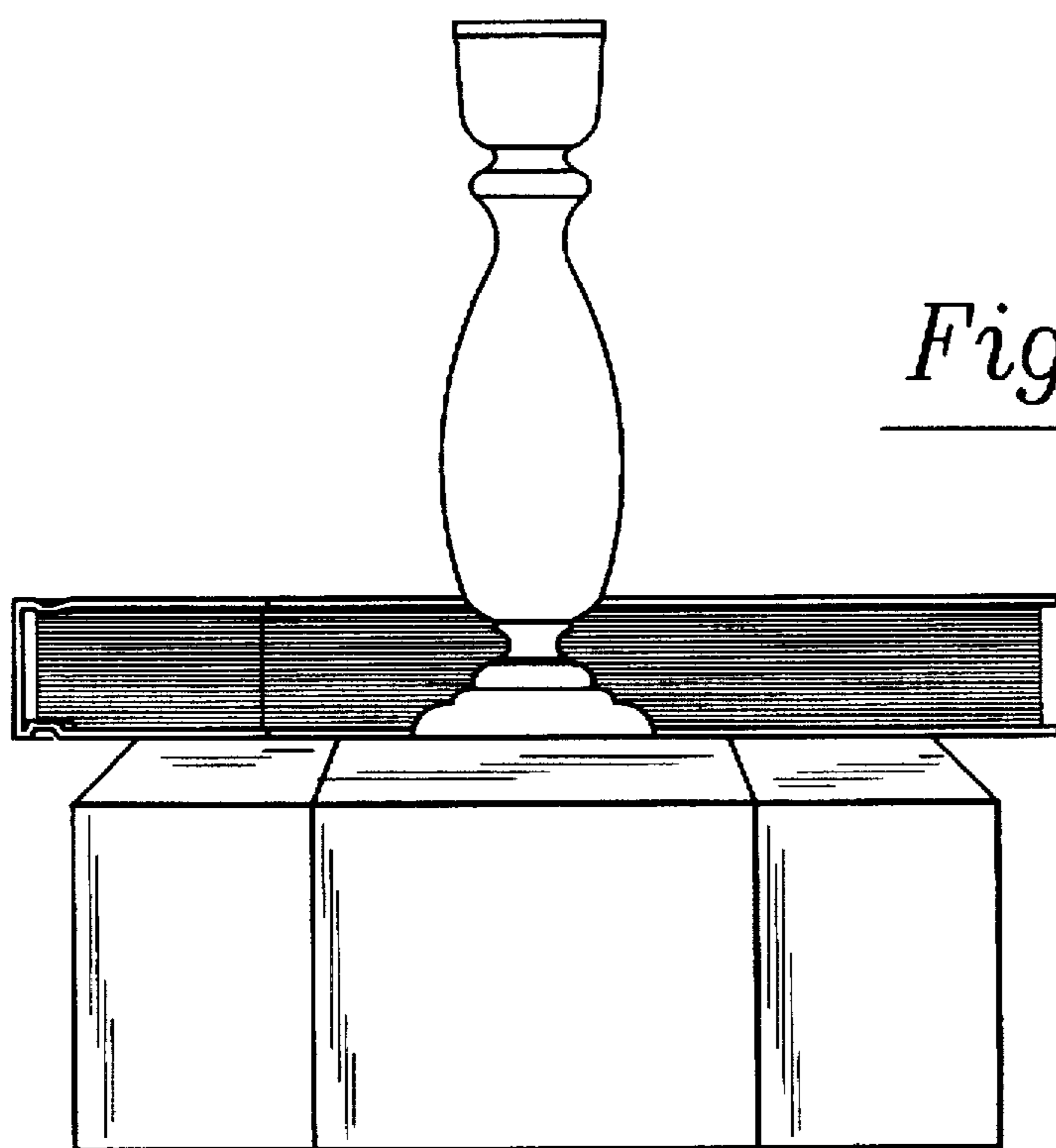


Fig. 5

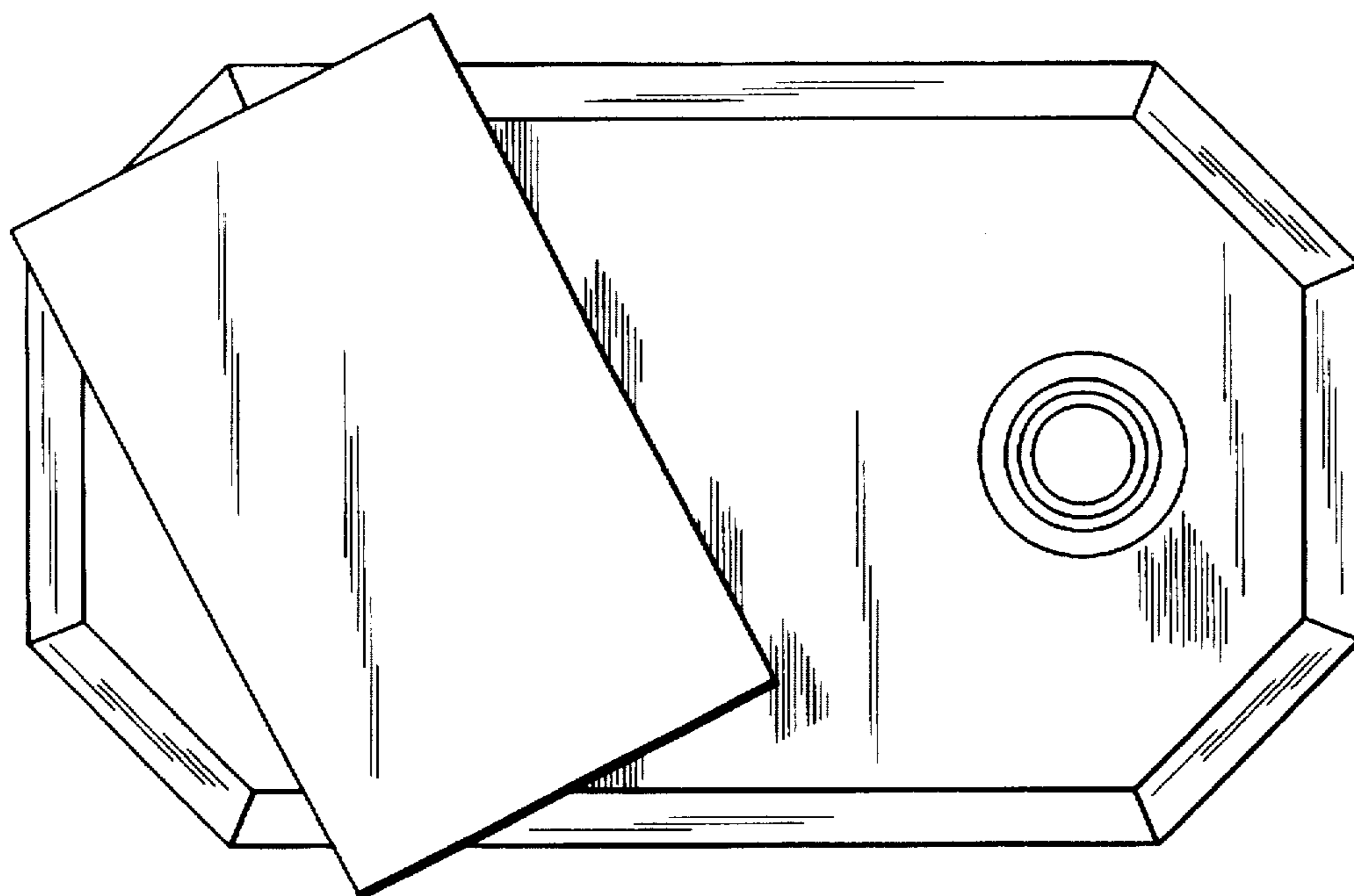


Fig. 6

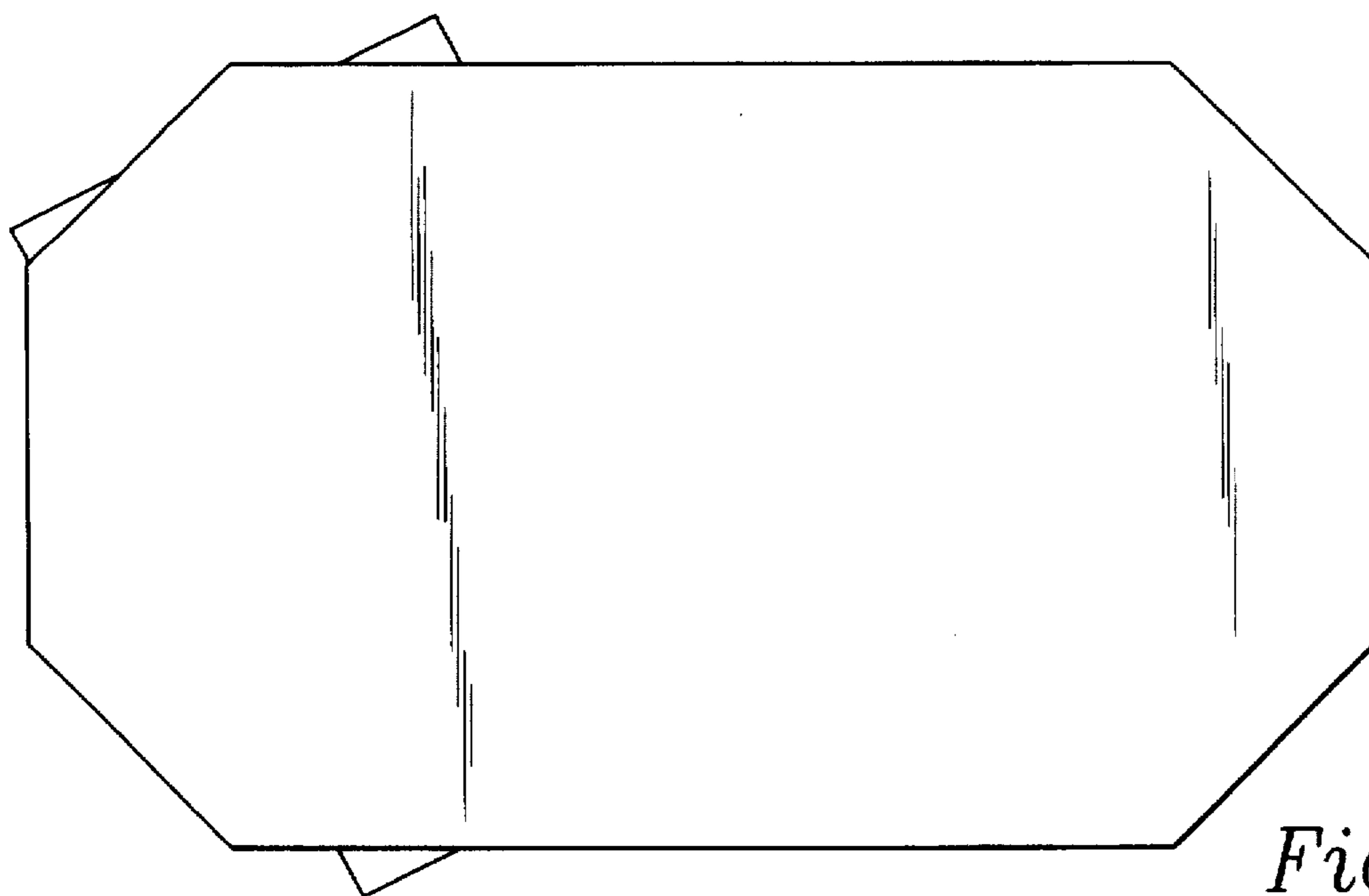


Fig. 7