



US00D395120S

United States Patent [19]

Newman et al.

[11] Patent Number: **Des. 395,120**

[45] Date of Patent: ****Jun. 9, 1998**

[54] **RECYCLE CONTAINER CART**

[76] Inventors: **Dennis Newman**, 3519 Grennoch, Houston, Tex. 77025; **Ronald B. Stein**, 8810 Weymouth Dr., Houston, Tex. 77031

[**] Term: **14 Years**

[21] Appl. No.: **58,571**

[22] Filed: **Aug. 19, 1996**

[51] LOC (6) Cl. **12-05**

[52] U.S. Cl. **D34/24; 280/47.24**

[58] Field of Search **D34/24, 15, 12, D34/26; 280/47.13, 47.16, 47.17, 47.24, 63**

[56] **References Cited**

U.S. PATENT DOCUMENTS

- D. 174,307 3/1955 Anderson D34/24
- D. 185,239 5/1959 Rutkowski D34/24
- D. 213,044 12/1968 Brown et al. D34/27

- D. 232,018 7/1974 Anderson D34/24
- 3,386,749 6/1968 Roudanez 280/47.24 X
- 5,356,163 10/1994 Suggs, Sr. 280/47.24 X
- 5,401,043 3/1995 Myron 280/47.24 X

Primary Examiner—Susan J. Lucas
Assistant Examiner—Cynthia E. Ramirez
Attorney, Agent, or Firm—Harrison & Egbert

[57] **CLAIM**

The ornamental design for a recycle container cart, as shown and described.

DESCRIPTION

FIG. 1 is a frontal perspective view of a recycle container cart showing our design;
FIG. 2 is a frontal view thereof;
FIG. 3 is a rear view thereof;
FIG. 4 is a side elevational view thereof, the opposite side being a mirror image thereof;
FIG. 5 is a top plan view thereof; and,
FIG. 6 is a bottom plan view thereof.

1 Claim, 3 Drawing Sheets

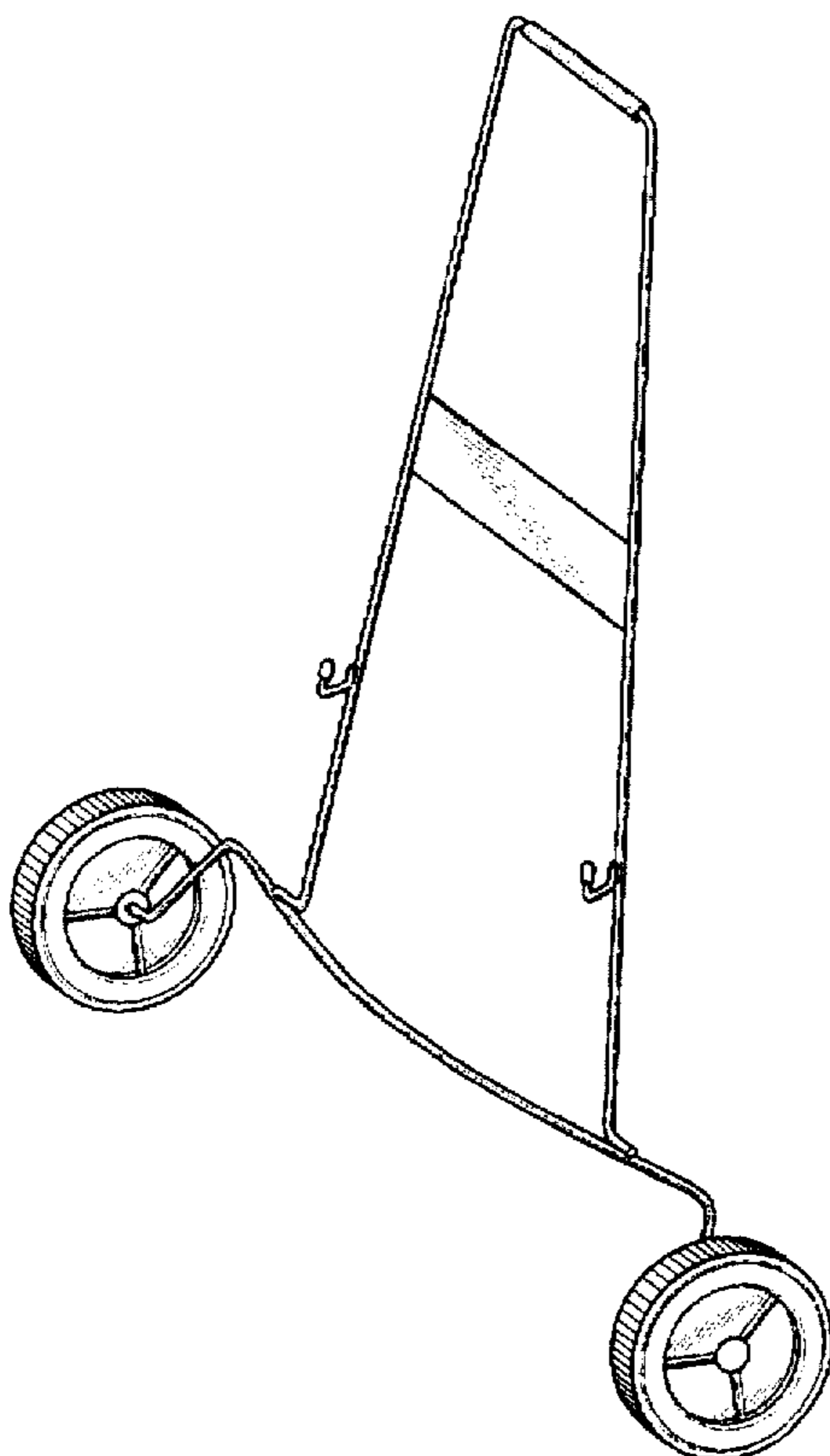


FIG. 1

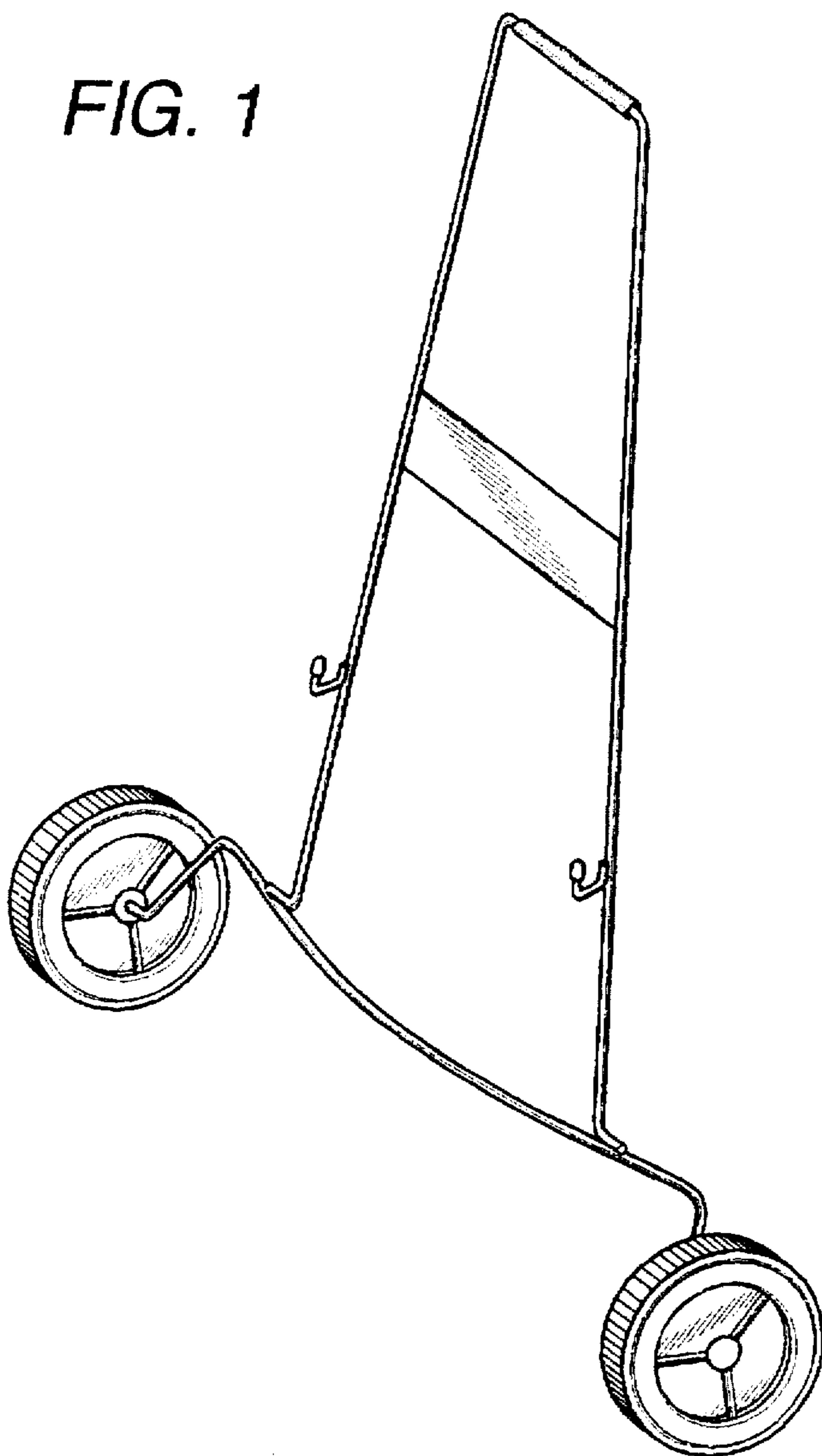


FIG. 3

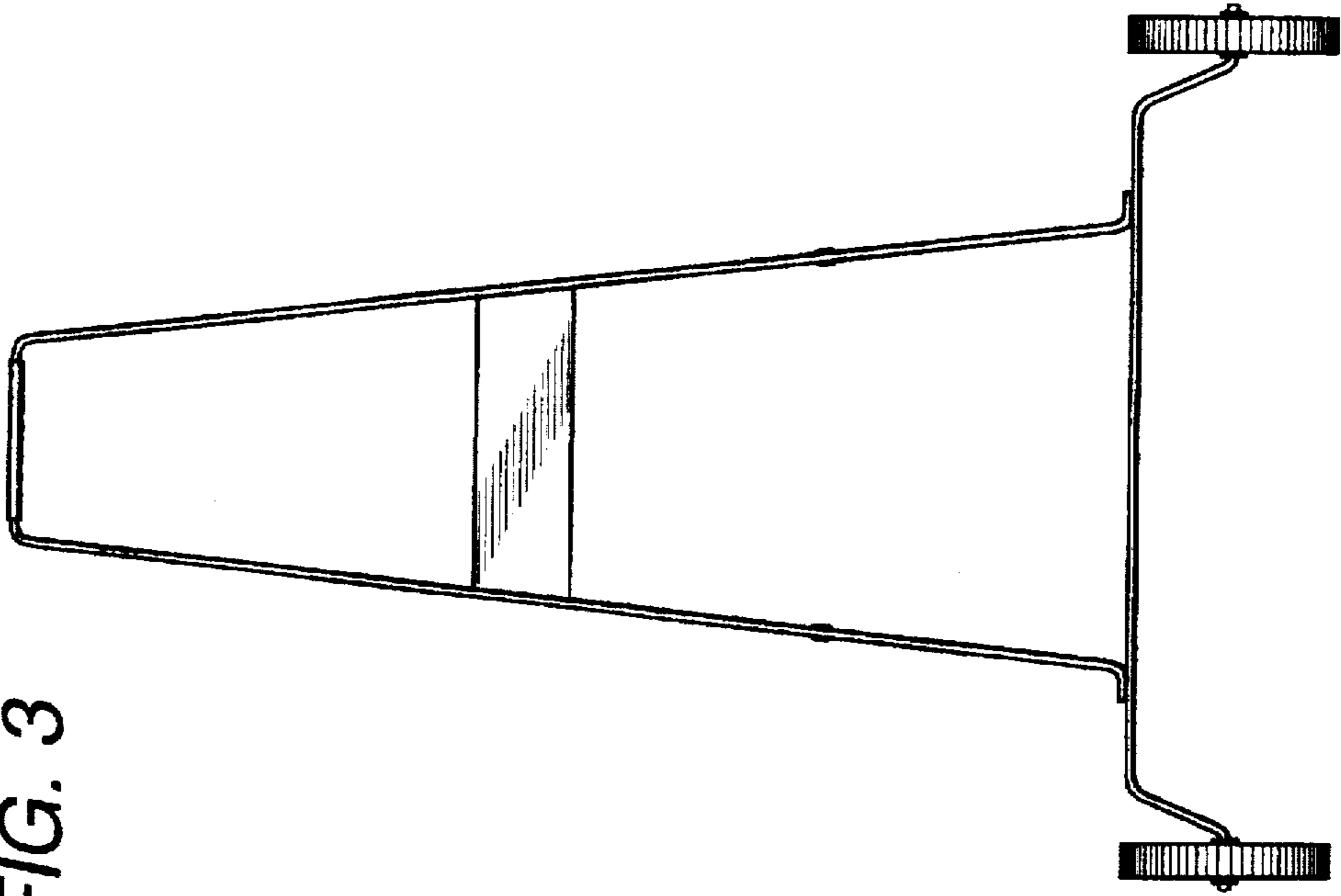
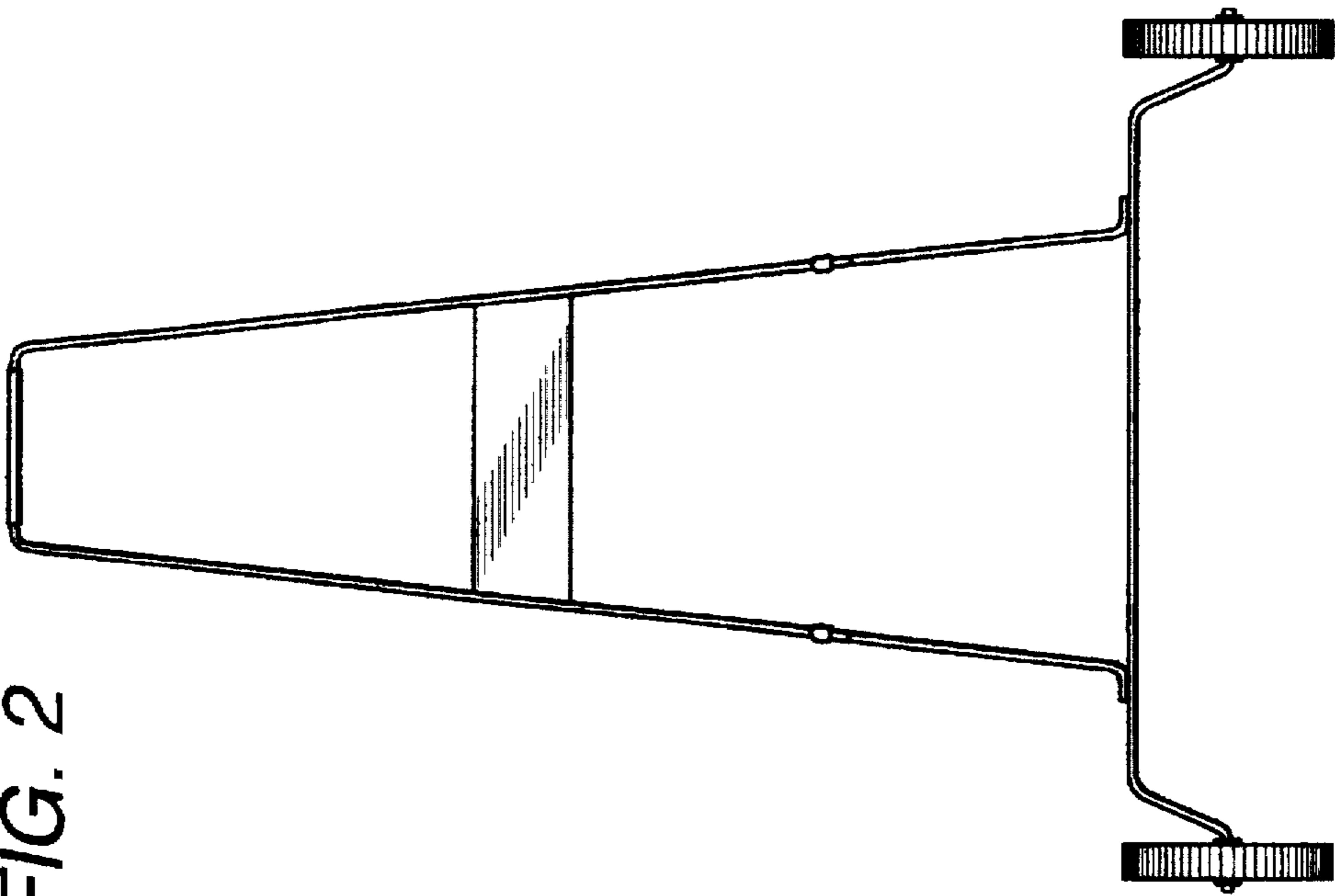


FIG. 2



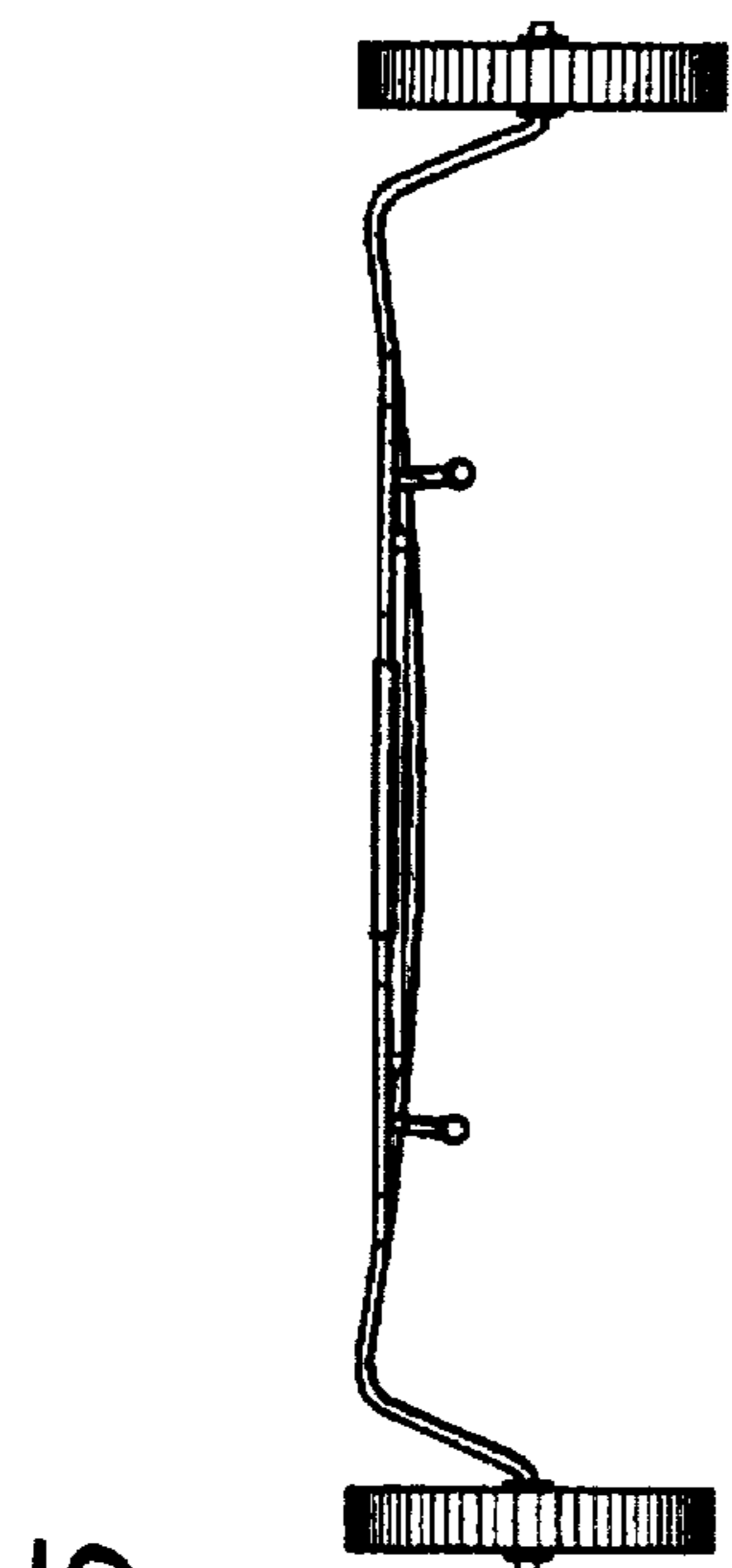


FIG. 5

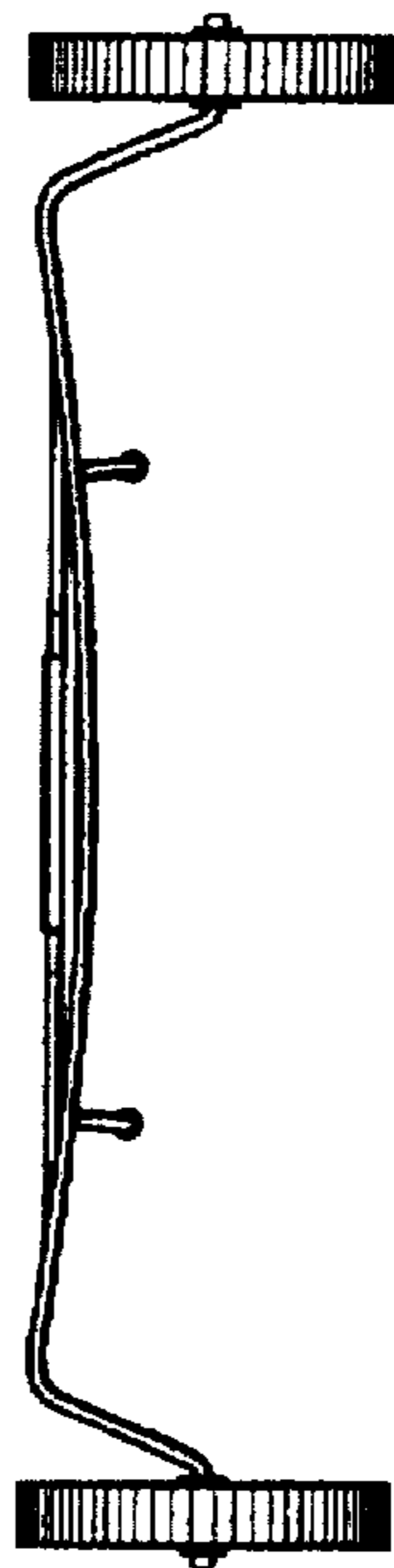


FIG. 6

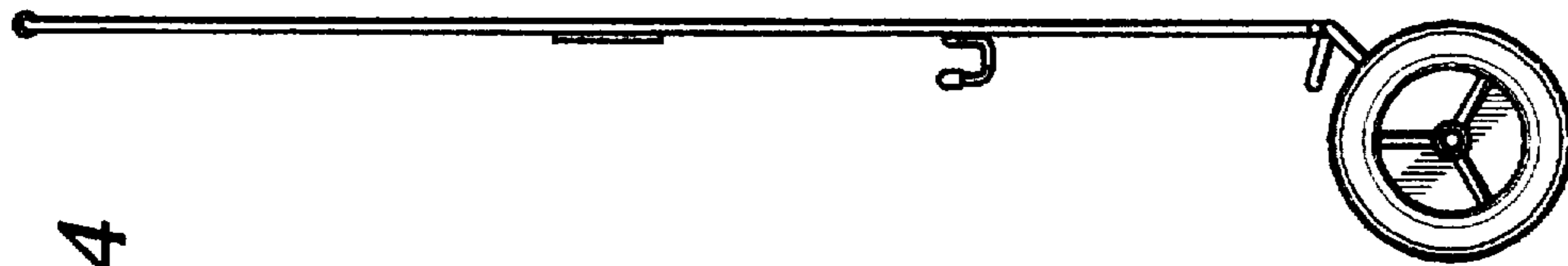


FIG. 4