



US00D395119S

**United States Patent** [19]  
**Berfield**

[11] **Patent Number:** **Des. 395,119**  
[45] **Date of Patent:** **\*\*Jun. 9, 1998**

[54] **DOLLY**  
[75] **Inventor:** **Robert C. Berfield, Jersey Shore, Pa.**  
[73] **Assignee:** **Shop Vac Corporation, Williamsport, Pa.**  
[\*\*] **Term:** **14 Years**

D. 276,948	12/1984	Wacek et al.	.....	D34/23
D. 302,944	8/1989	Mount	.....	D34/23
D. 309,811	8/1990	Terrizzi	.....	D34/23
D. 310,746	9/1990	Berfield et al.	.....	D34/23
D. 335,374	5/1993	Schulze et al.	.....	D34/23
4,640,521	2/1987	Berfield	.....	280/47.34
4,650,200	3/1987	Berfield et al.	.....	280/47.26
5,472,220	12/1995	Stephan	.....	280/7.5

[21] **Appl. No.:** **71,297**  
[22] **Filed:** **May 27, 1997**

*Primary Examiner*—Kay H. Chin  
*Attorney, Agent, or Firm*—Marshall, O'Toole, Gerstein, Murray & Borun

[51] **LOC (6) Cl.** ..... **12-02**  
[52] **U.S. Cl.** ..... **D34/23; D34/27**  
[58] **Field of Search** ..... **D34/12-27; 280/79.11,**  
**280/79.5, 47.34, 35, 87.01; 248/346.1;**  
**220/DIG. 1**

[57] **CLAIM**  
The ornamental design for a dolly, as shown and described.

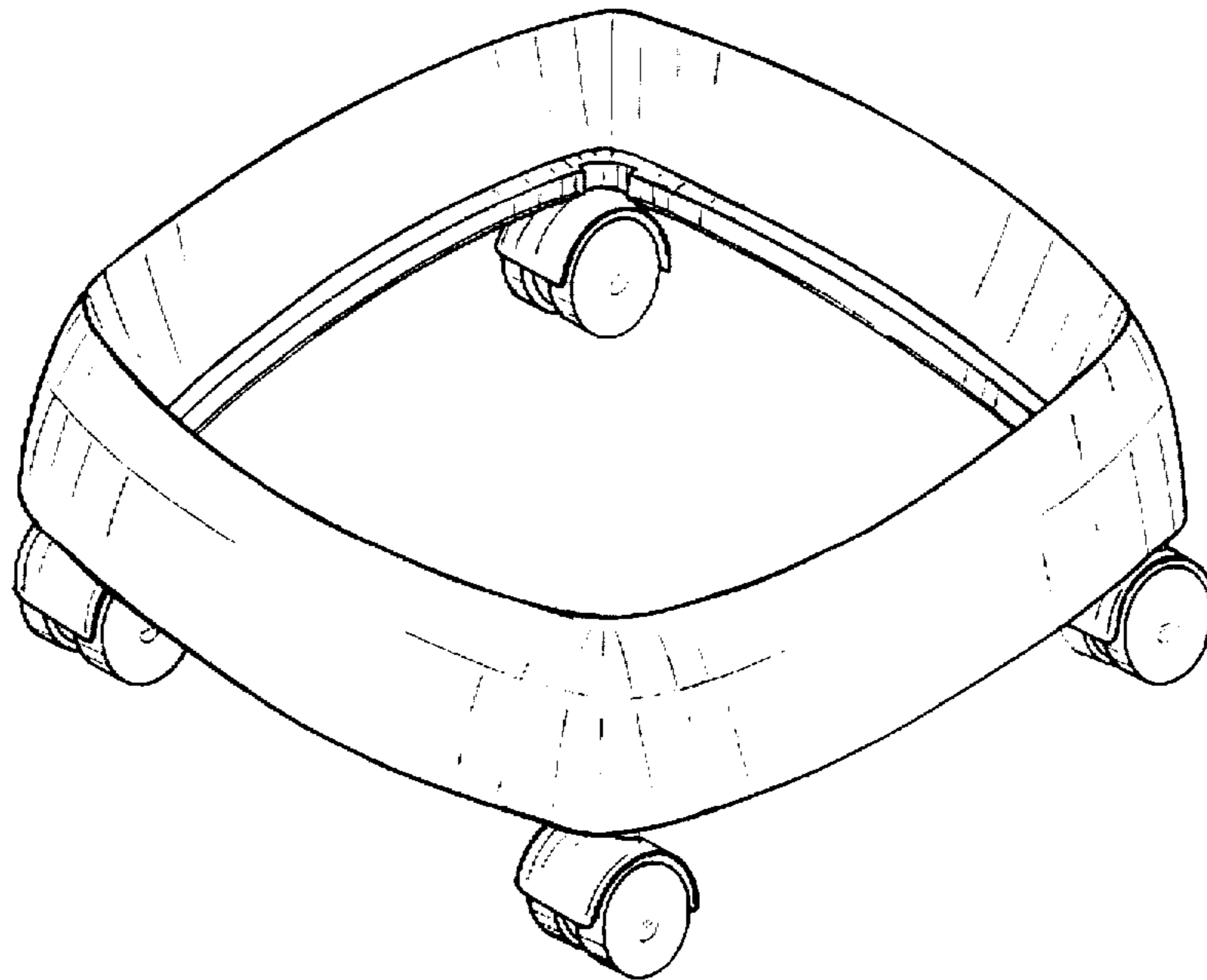
**DESCRIPTION**

**FIG. 1** is plan view of a dolly showing my new design;  
**FIG. 2** is a bottom elevational view thereof;  
**FIG. 3** is a side elevational view thereof; and,  
**FIG. 4** is an isometric view thereof.

[56] **References Cited**  
**U.S. PATENT DOCUMENTS**

Re. 34,130 11/1992 Berfield et al. .... 280/79.5

**1 Claim, 3 Drawing Sheets**



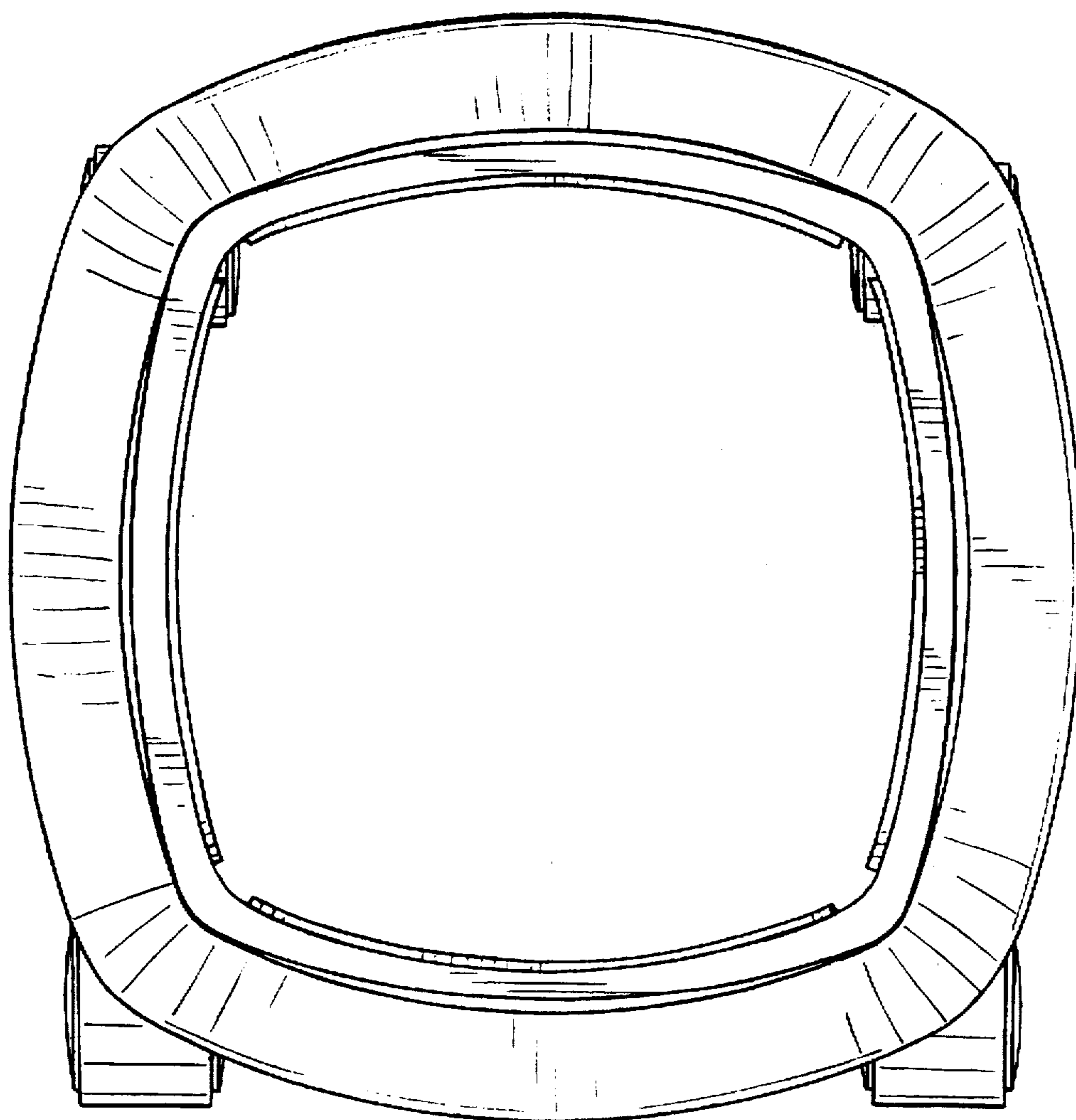


FIG. 1

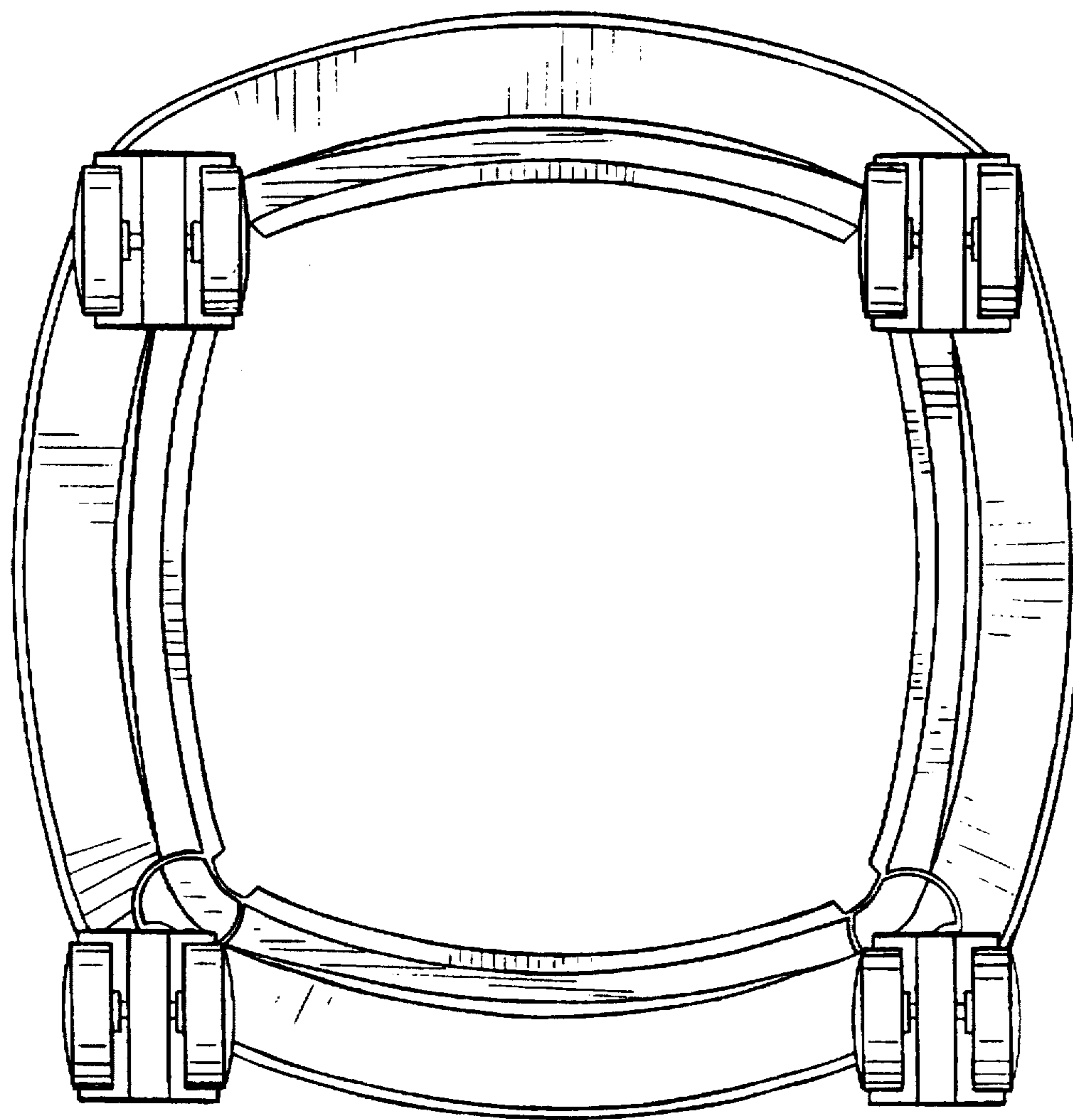


FIG. 2

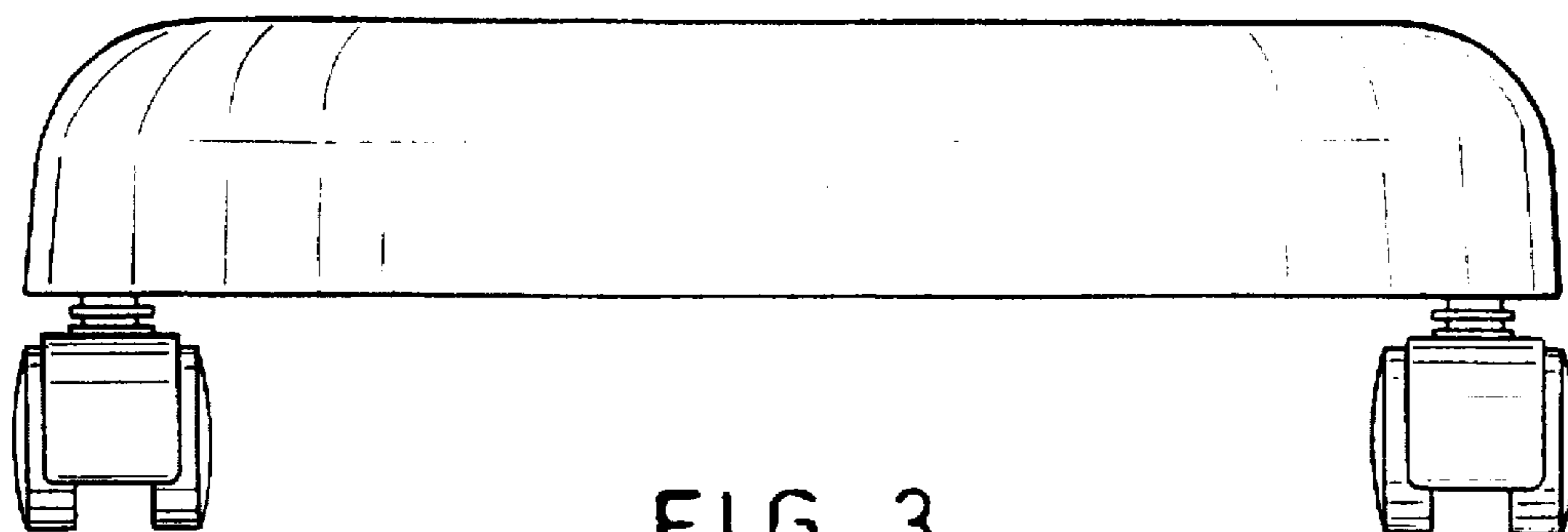


FIG. 3

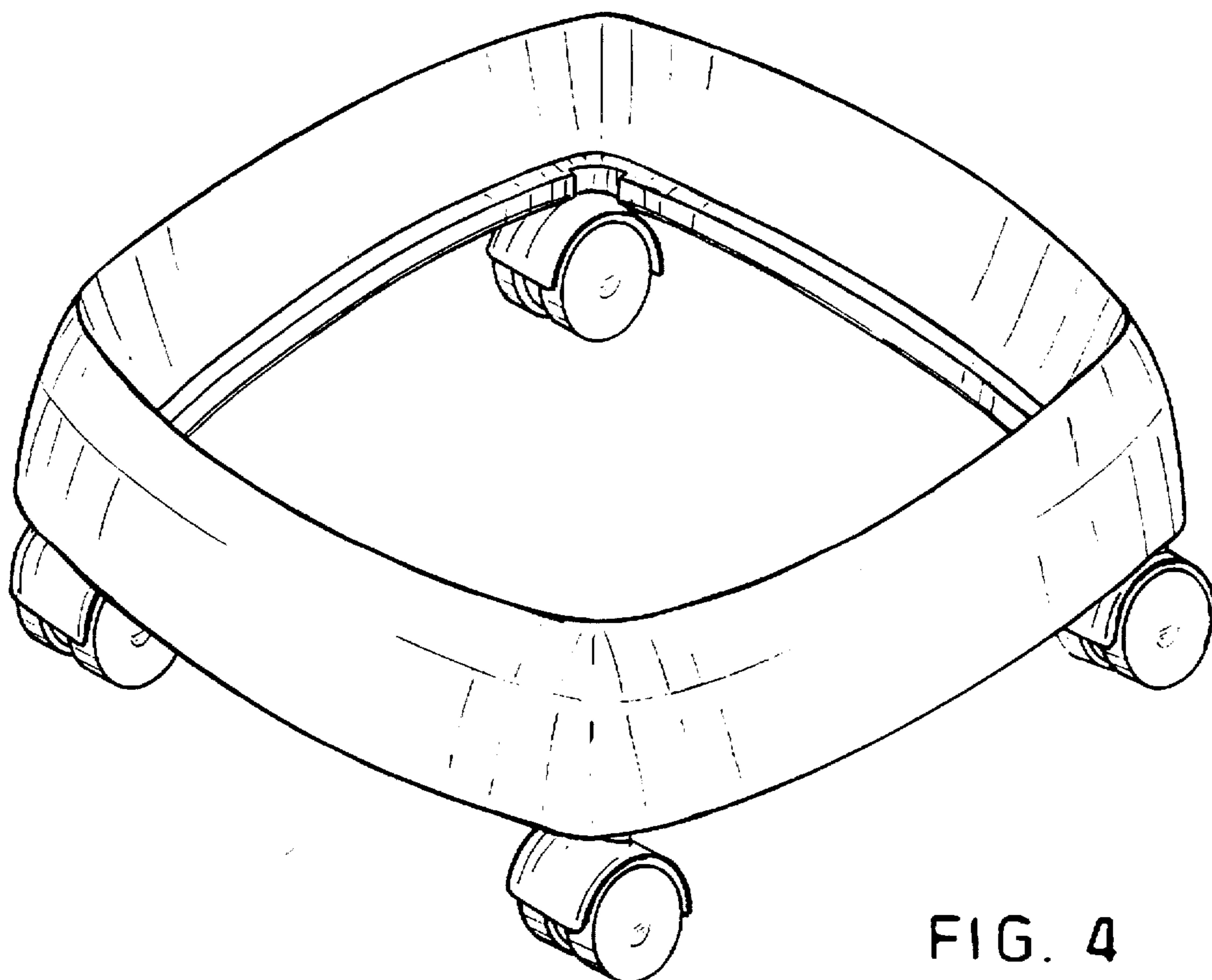


FIG. 4