



US00D395117S

United States Patent [19]
Persson

[11] **Patent Number:** **Des. 395,117**
[45] **Date of Patent:** ****Jun. 9, 1998**

[54] **FRAME FOR STACKING PACKAGING OR PARTS THEREOF**

[75] Inventor: **Per Persson**, Alfta, Sweden

[73] Assignee: **Nefab AB**, Alfta, Sweden

[**] Term: **14 Years**

[21] Appl. No.: **64,574**

[22] Filed: **Jan. 6, 1997**

[30] **Foreign Application Priority Data**

Jul. 4, 1996 [SE] Sweden 96-1496

[51] **LOC (6) Cl.** **09-08**

[52] **U.S. Cl.** **D34/38**

[58] **Field of Search** D34/38; 108/53.1,
108/51.1, 901, 563, 53.5, 56.1, 53.3

[56] **References Cited**

U.S. PATENT DOCUMENTS

2,738,564 3/1956 Guinane D34/38
4,491,076 1/1985 Forshee 108/53.1

4,703,702 11/1987 Speicher 108/53.1

Primary Examiner—Doris Clark
Attorney, Agent, or Firm—Notaro & Michalos P.C.

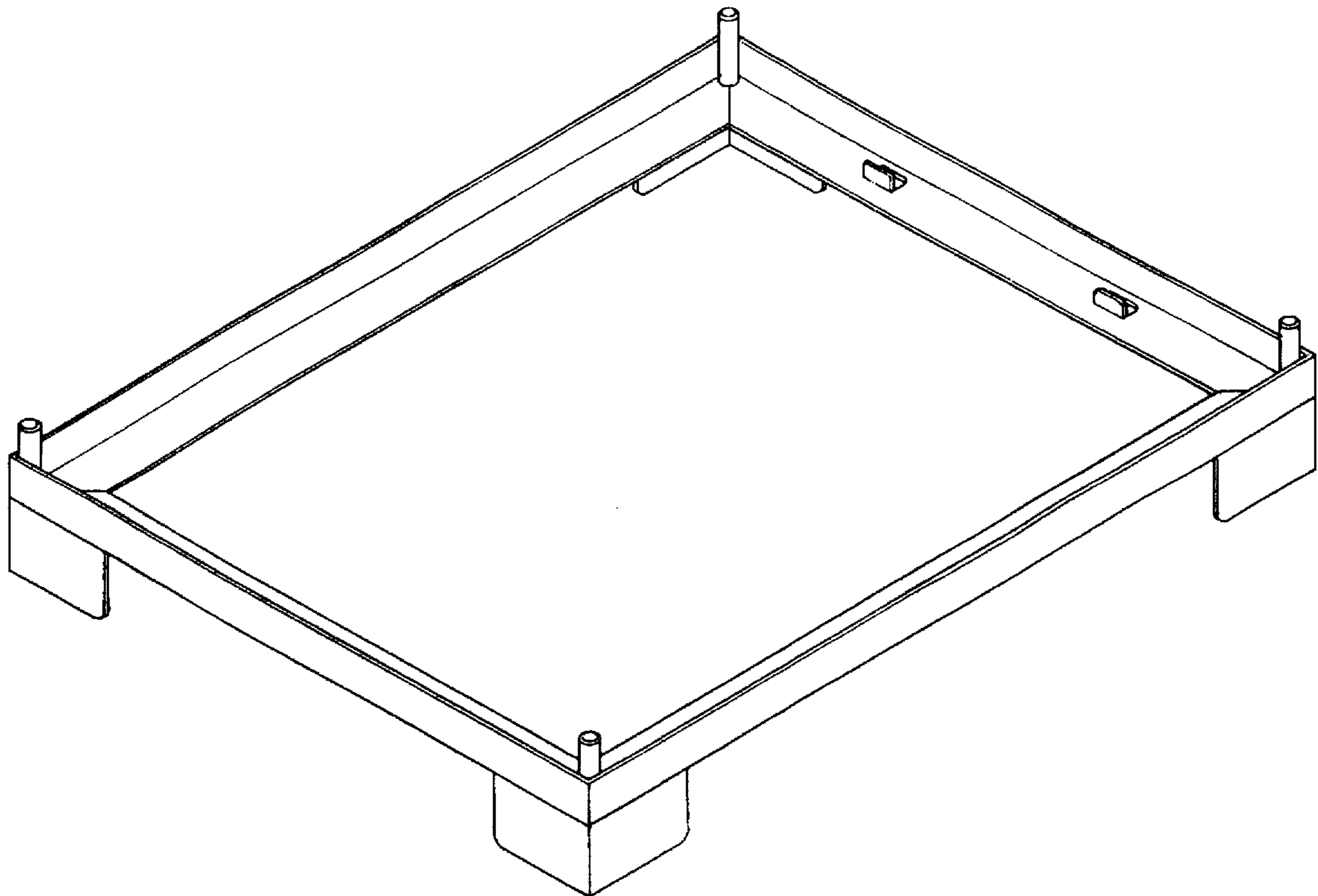
[57] **CLAIM**

The ornamental design for a frame for stacking packaging or parts thereof, as shown.

DESCRIPTION

FIG. 1 is a perspective view of the frame for stacking packaging or parts thereof viewed obliquely from above; FIG. 2 is a perspective view of the frame for stacking packaging or parts thereof of FIG. 1 as viewed obliquely from below; FIG. 3 is a plan view of the frame for stacking packaging or parts thereof viewed from above; FIG. 4 is a plan view of the frame for stacking packaging or parts thereof viewed from below; FIG. 5 is a side view of the frame for stacking packaging or parts thereof; and, FIG. 6 is an end view thereof.

1 Claim, 5 Drawing Sheets



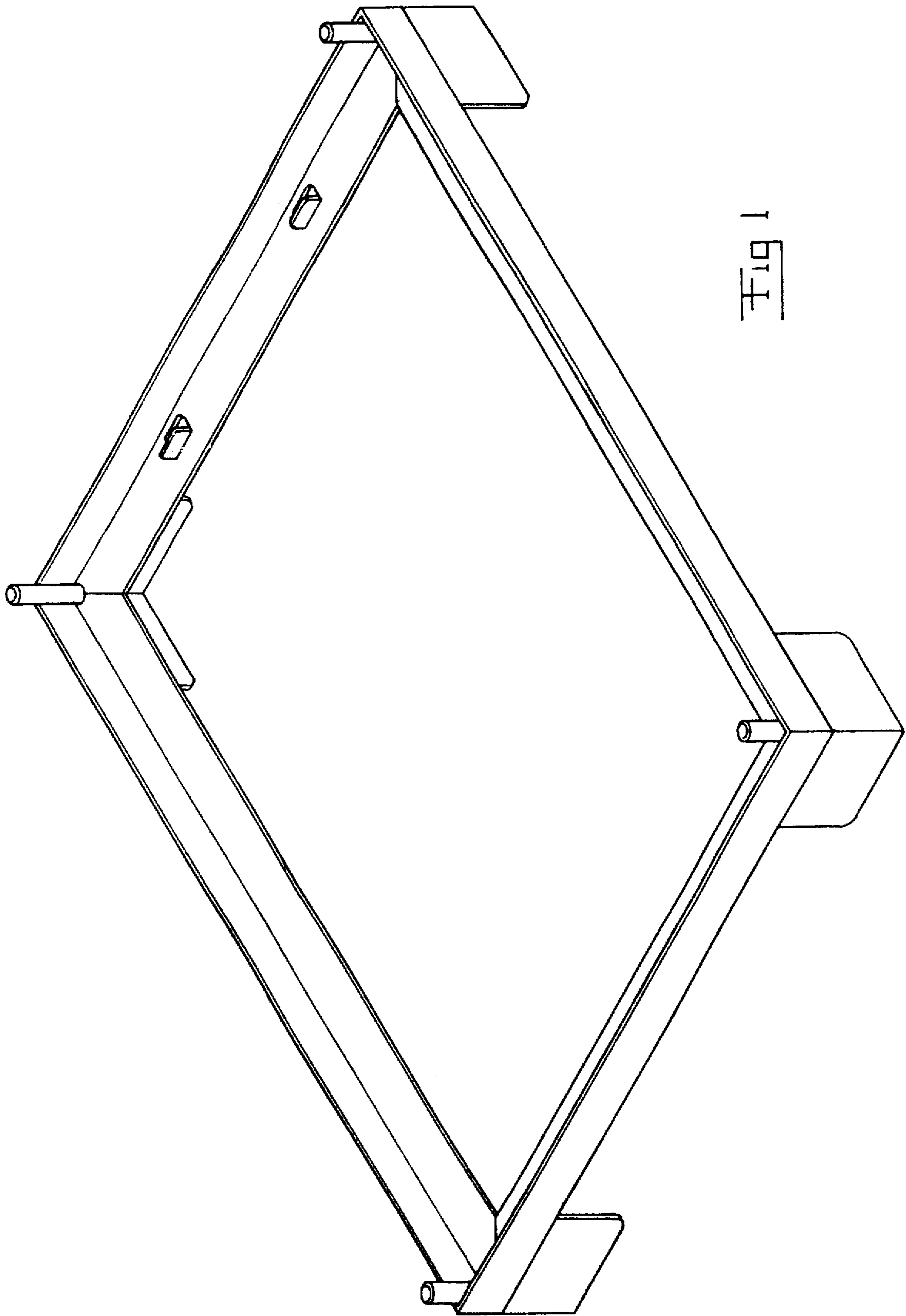


FIG. 1

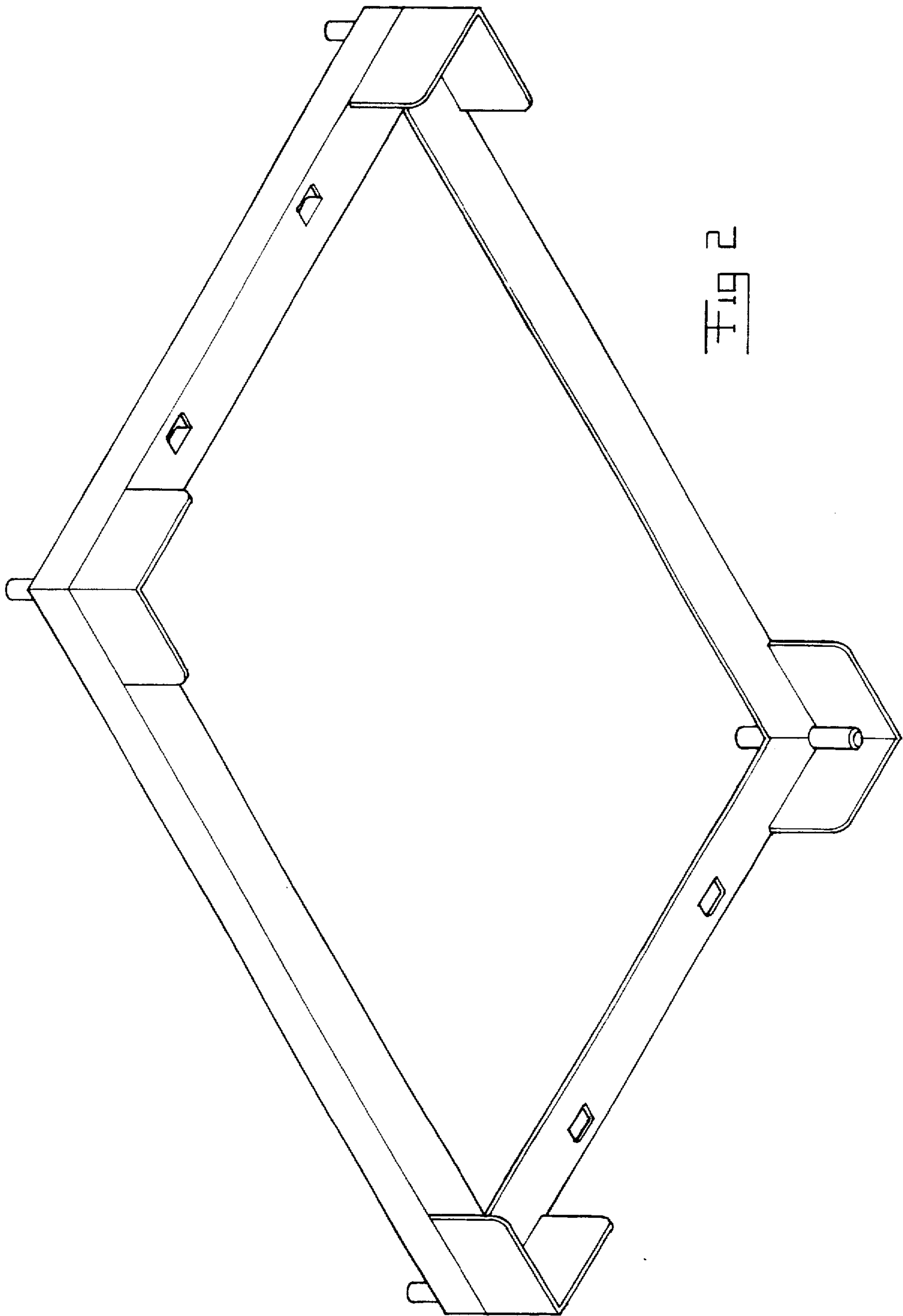


FIG 2

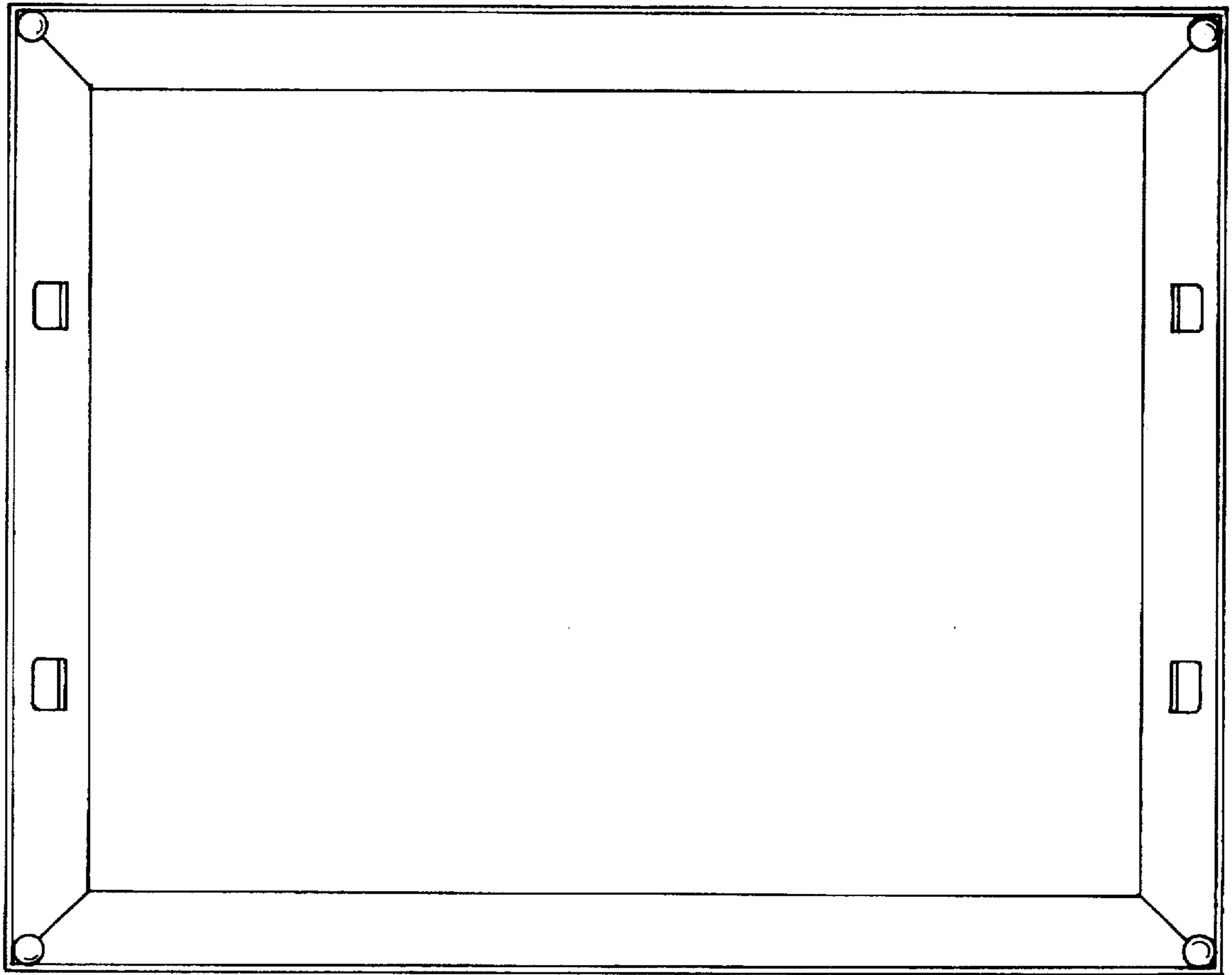


Fig 3

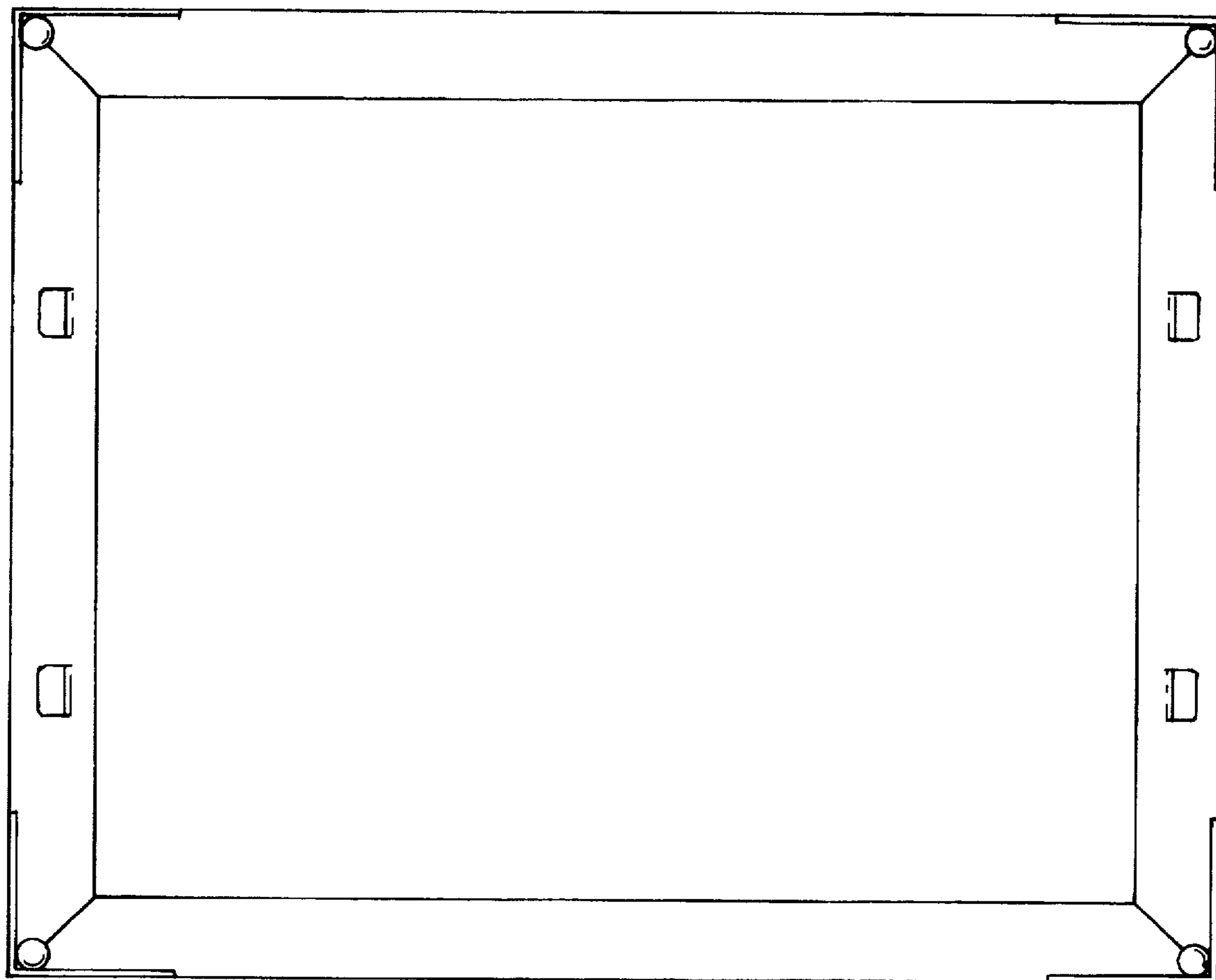


Fig 4

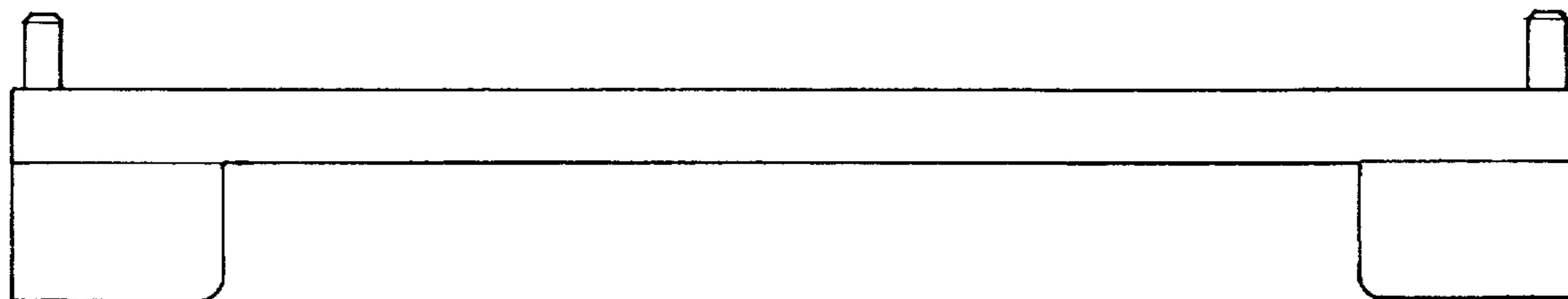


Fig 5

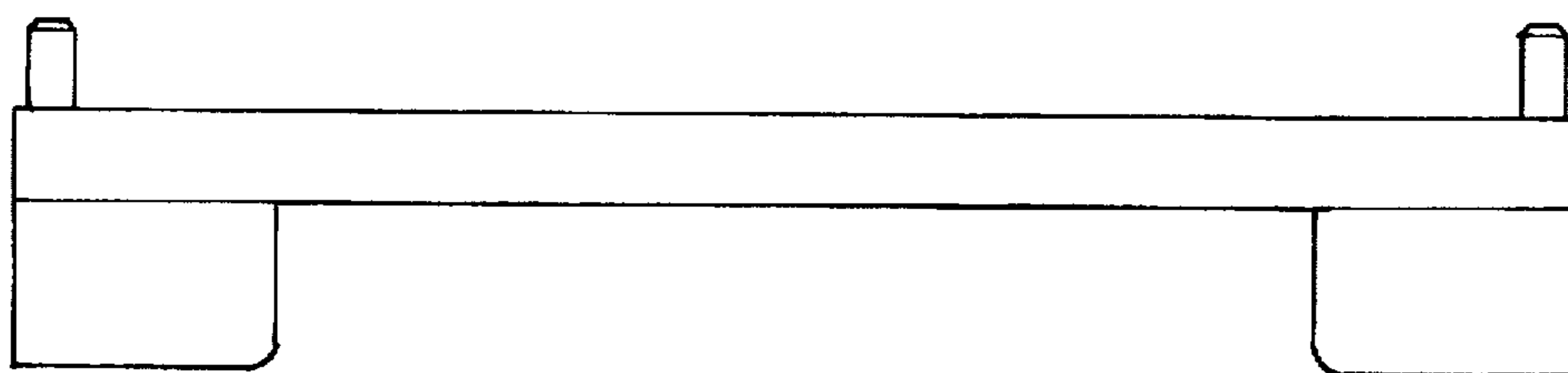


Fig 6