



US00D395115S

# United States Patent [19]

Russey et al.

[11] Patent Number: Des. 395,115

[45] Date of Patent: \*\*\*Jun. 9, 1998

[54] FORKLIFT

[75] Inventors: James W. Russey, Katy; Gary F. Burkholder, Houston, both of Tex.

[73] Assignee: Mitsubishi Caterpillar Forklift, America Inc., Houston, Tex.

[\*] Notice: The portion of the term of this patent subsequent to Nov. 25, 2011, has been disclaimed.

[\*\*] Term: 14 Years

[21] Appl. No.: 50,667

[22] Filed: Feb. 21, 1996

[51] LOC (6) Cl. .... 12-05

[52] U.S. Cl. .... D34/34

[58] Field of Search ..... D34/28, 34, 37; 180/89.13, 89.12, 89.17; 187/222, 237, 238

[56] References Cited

### U.S. PATENT DOCUMENTS

D. 327,356	6/1992	Laatsch .....	D34/34
D. 353,931	12/1994	Kobayakawa et al. ....	D34/34
D. 356,201	3/1995	Sato et al. ....	D34/28
2,480,066	8/1949	Weaver .....	187/238

Primary Examiner—Alan P. Douglas  
Assistant Examiner—Robin V. Taylor  
Attorney, Agent, or Firm—Fish & Richardson P.C.

[57] CLAIM

The ornamental design for a forklift, as shown and described.

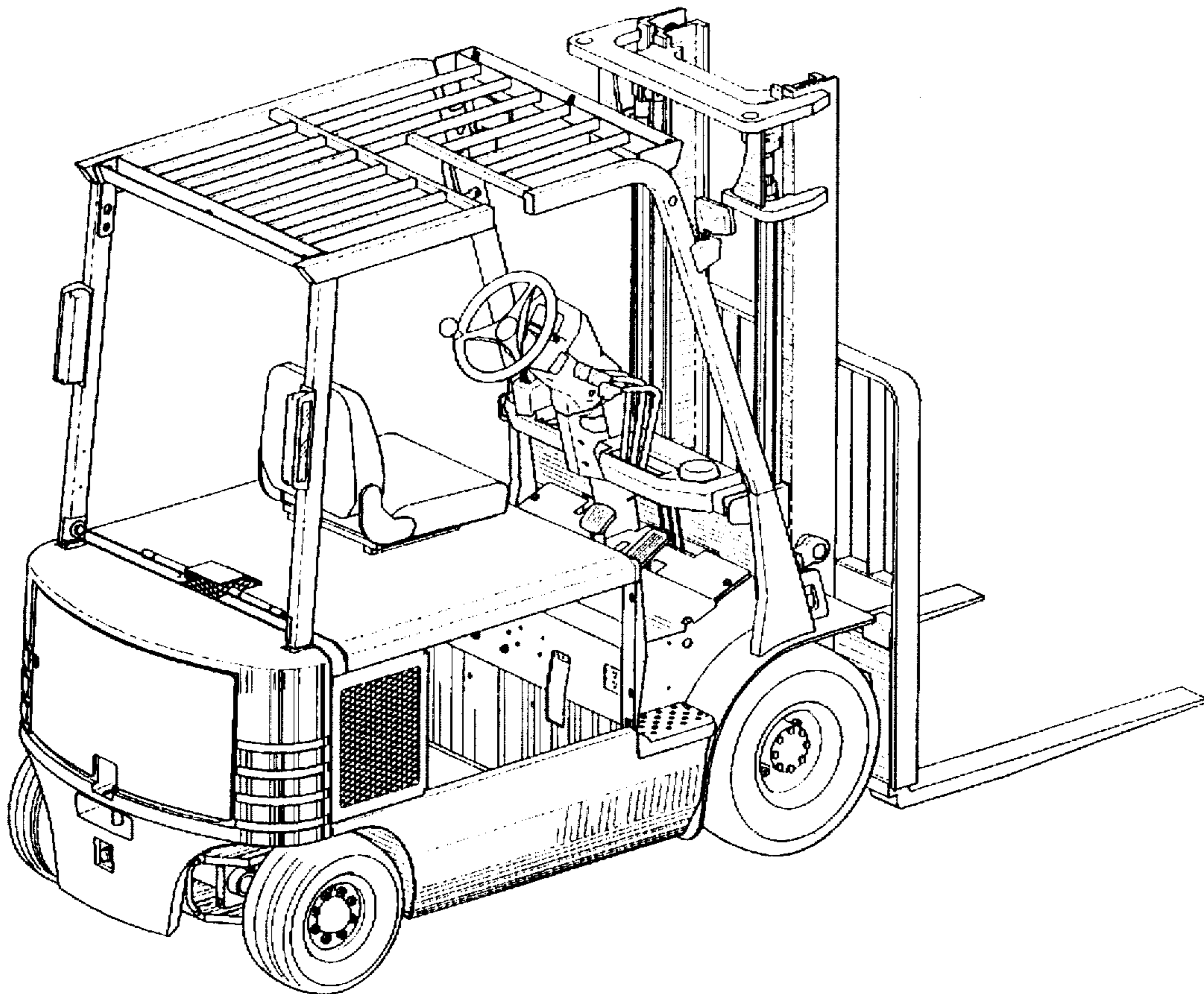
### DESCRIPTION

FIG. 1 is a front perspective view of the design according to the invention;

FIG. 2 is a rear perspective view of the design according to the invention; and,

FIG. 3 is a top view of the design according to the invention.

1 Claim, 3 Drawing Sheets



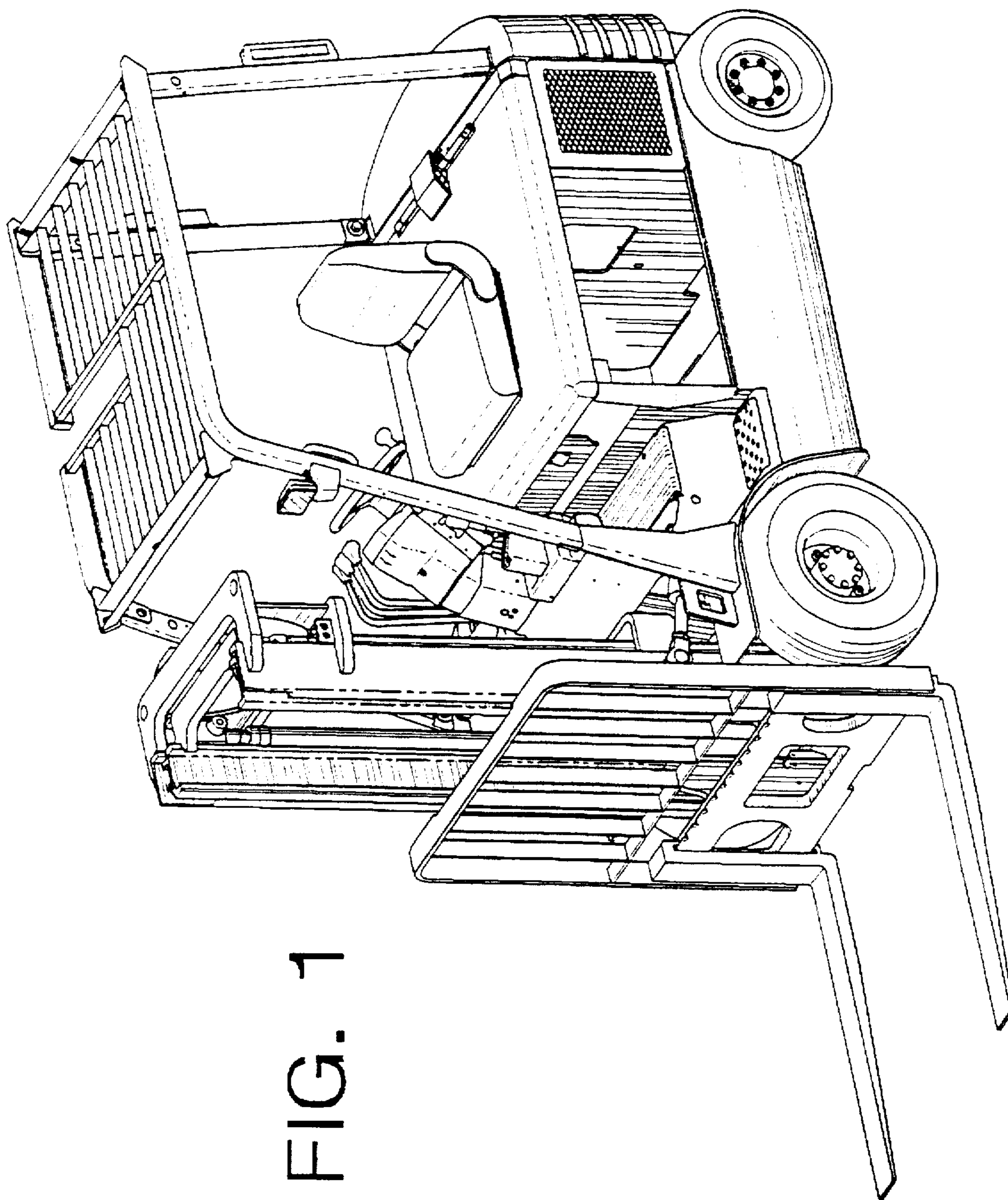
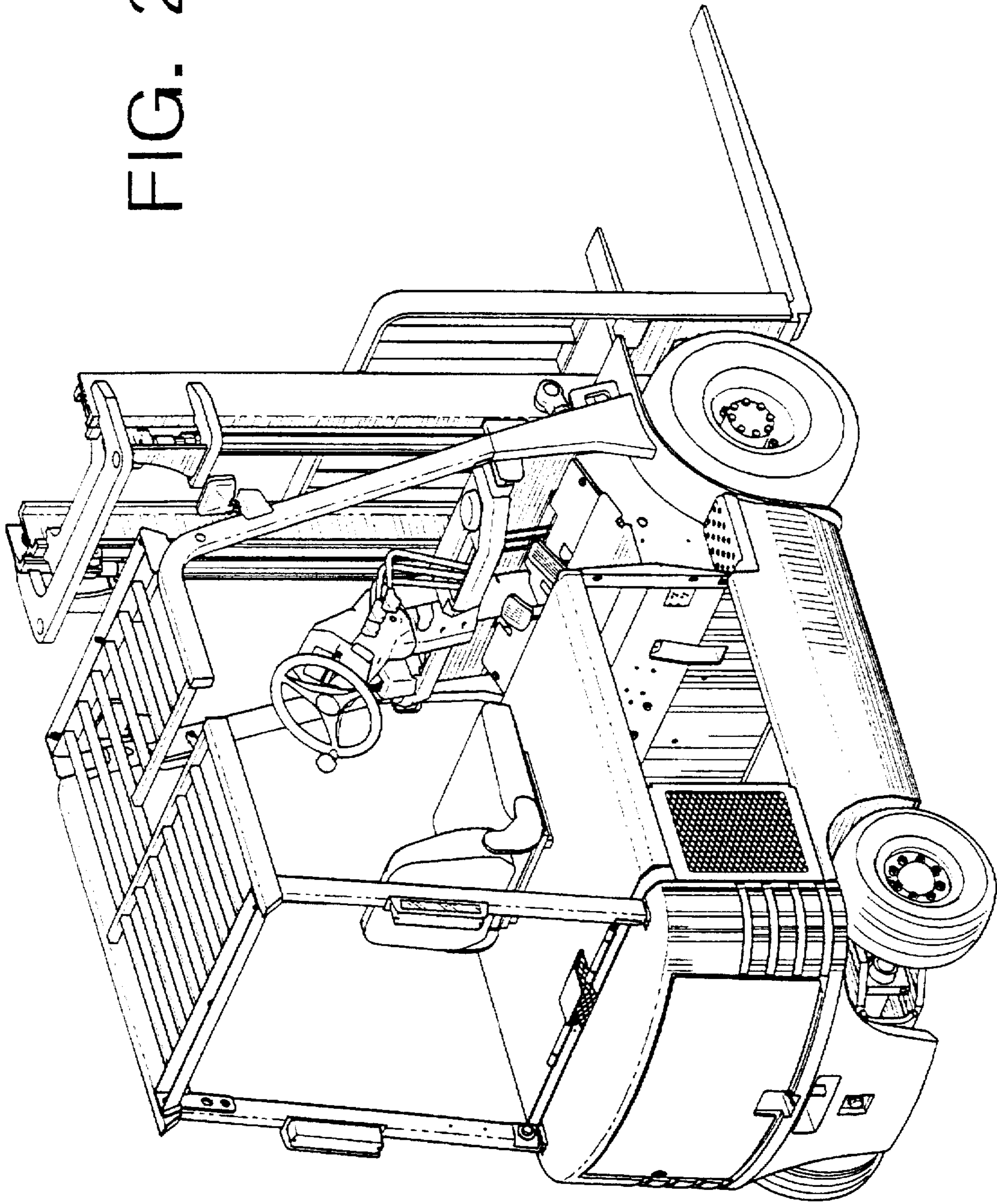


FIG. 1

FIG. 2



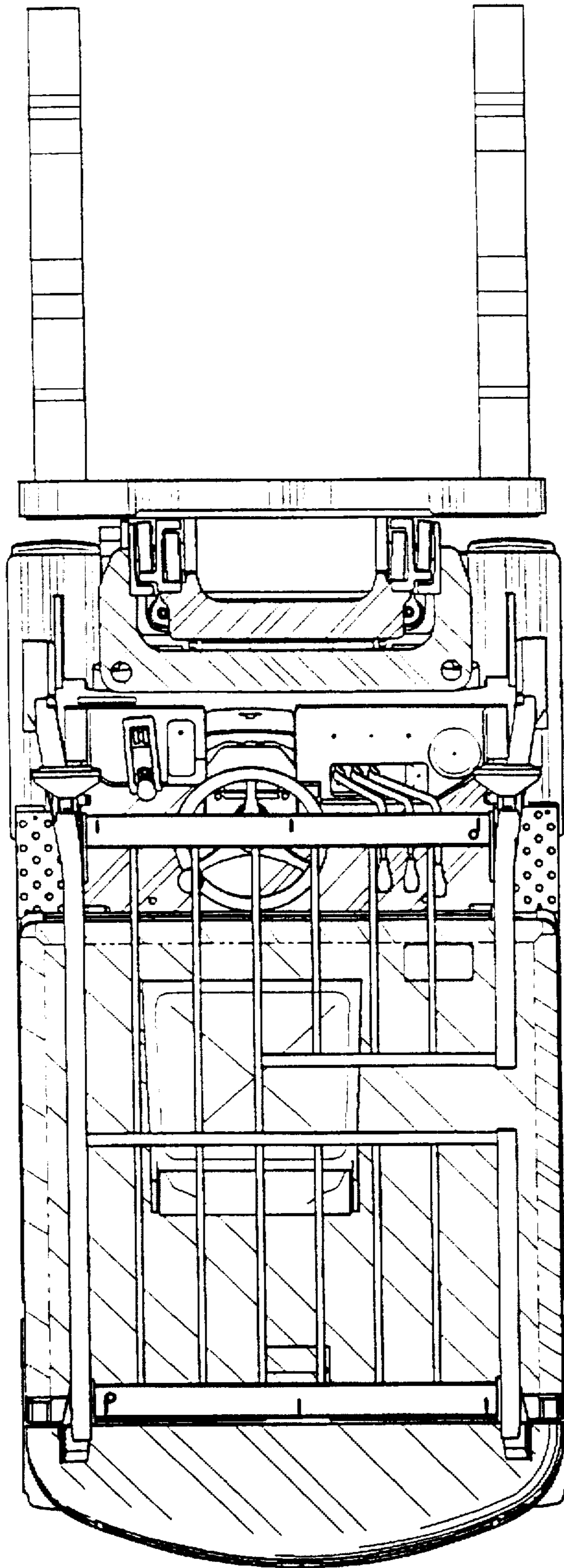


FIG. 3