



US00D395114S

United States Patent [19]
Wullimann

[11] **Patent Number:** **Des. 395,114**
[45] **Date of Patent:** ****Jun. 9, 1998**

[54] **HAND WINCH**

3,946,990 3/1976 Tanner 254/266

[75] **Inventor:** **Frank Wullimann, Bettlach, Switzerland**

Primary Examiner—Alan P. Douglas
Assistant Examiner—Robin V. Taylor

[73] **Assignee:** **Rollgliss AG, Selzach, Switzerland**

[57] **CLAIM**

[**] **Term:** **14 Years**

The ornamental design of hand winch, as shown and described.

[21] **Appl. No.:** **53,224**

DESCRIPTION

[22] **Filed:** **Apr. 17, 1996**

FIG. 1 is a front view in elevation of a hand winch of the present invention;

[30] **Foreign Application Priority Data**

FIG. 2 is a side view in elevation of the hand winch of FIG. 1 as seen from the right-hand side FIG. 1;

Oct. 27, 1995 [CH] Switzerland 122.763

FIG. 3 is a side view in elevation of the hand winch of FIG. 1 as seen from the left-hand side of FIG. 1;

[51] **LOC (6) Cl.** **12-05**

FIG. 4 is a bottom plan view of the hand winch of FIG. 1;

[52] **U.S. Cl.** **D34/33**

FIG. 5 is a top plan view of the hand winch of FIG. 1;

[58] **Field of Search** D34/28, 33; D8/359, D8/306, 309; 254/1, 8 B, 120, 124, 126, 133, 134, 266; D7/376, 378; 192/19

FIG. 6 is a rear view in elevation of the hand winch of FIG. 1;

[56] **References Cited**

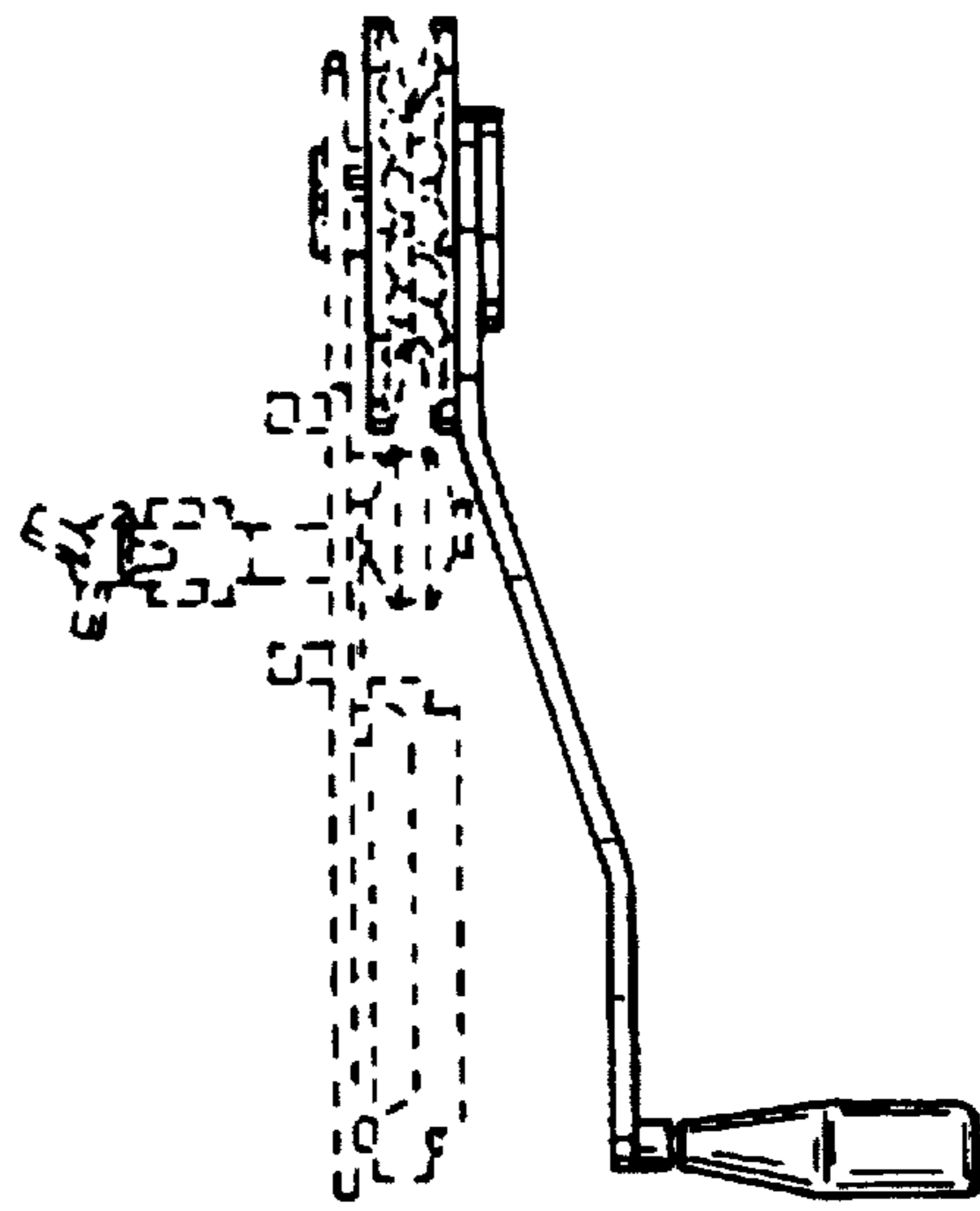
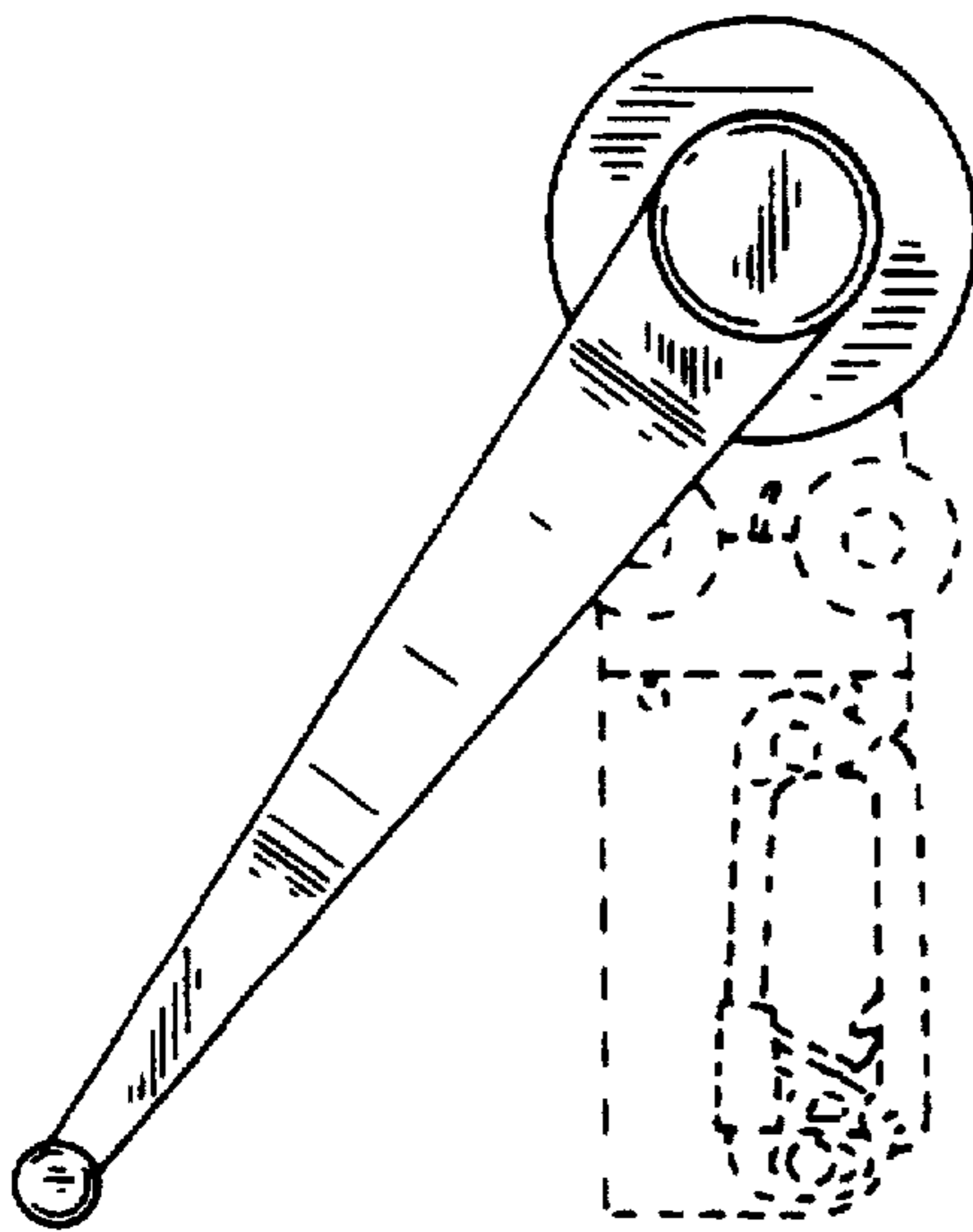
FIG. 7 is a front elevation of the hand winch of the present invention with a handle attached to the hand winch base plate, the latter being indicated in broken lines; and,

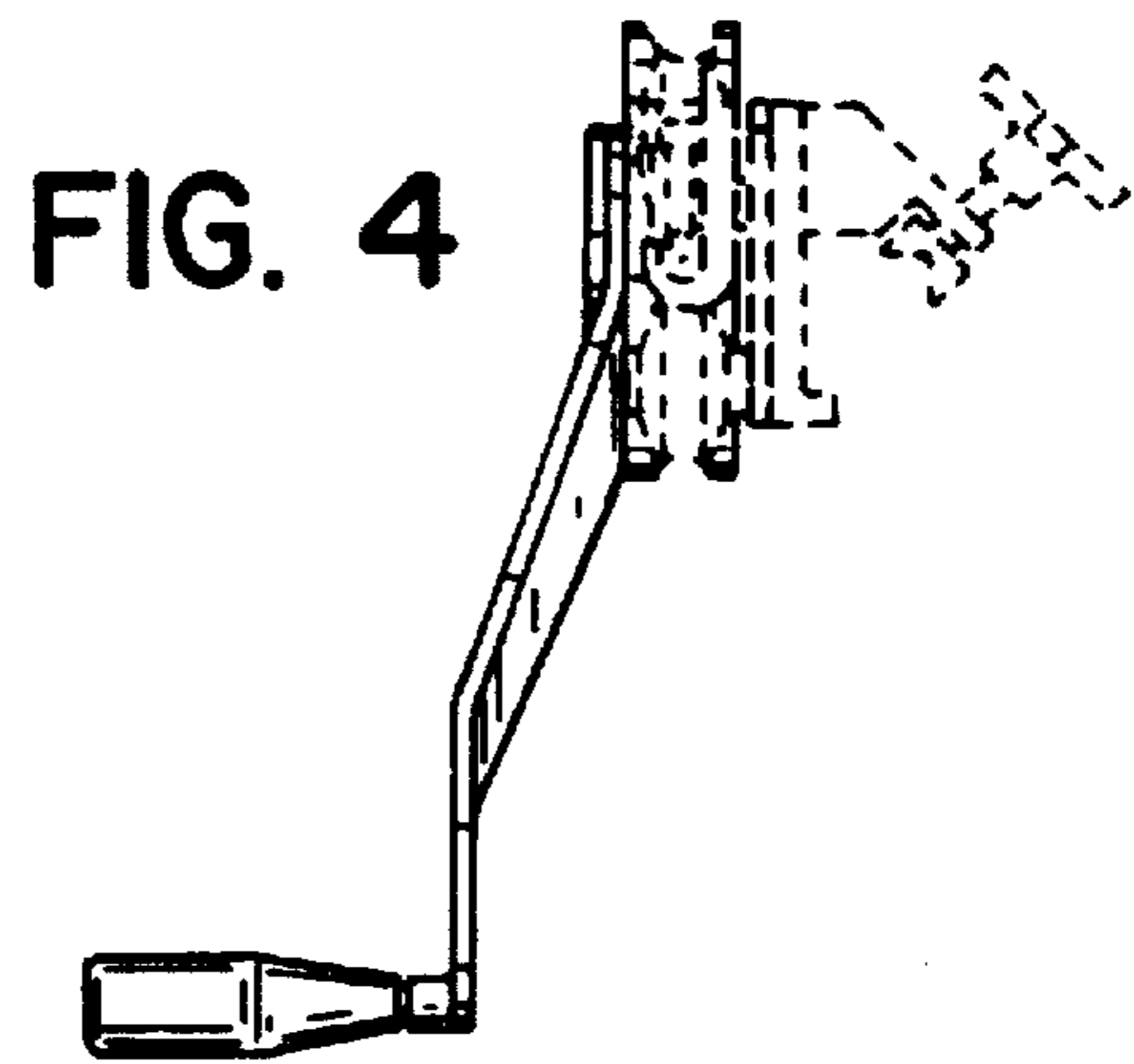
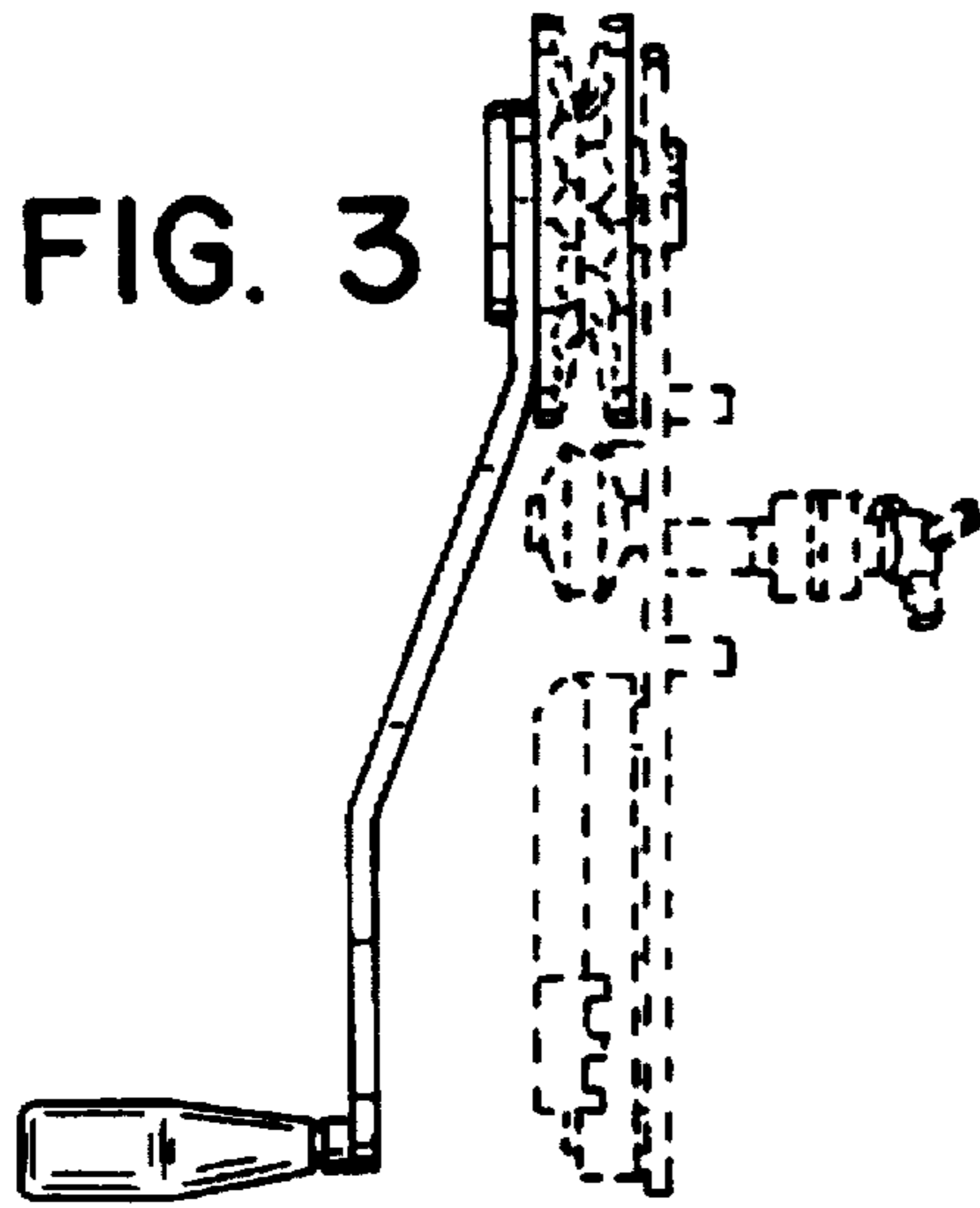
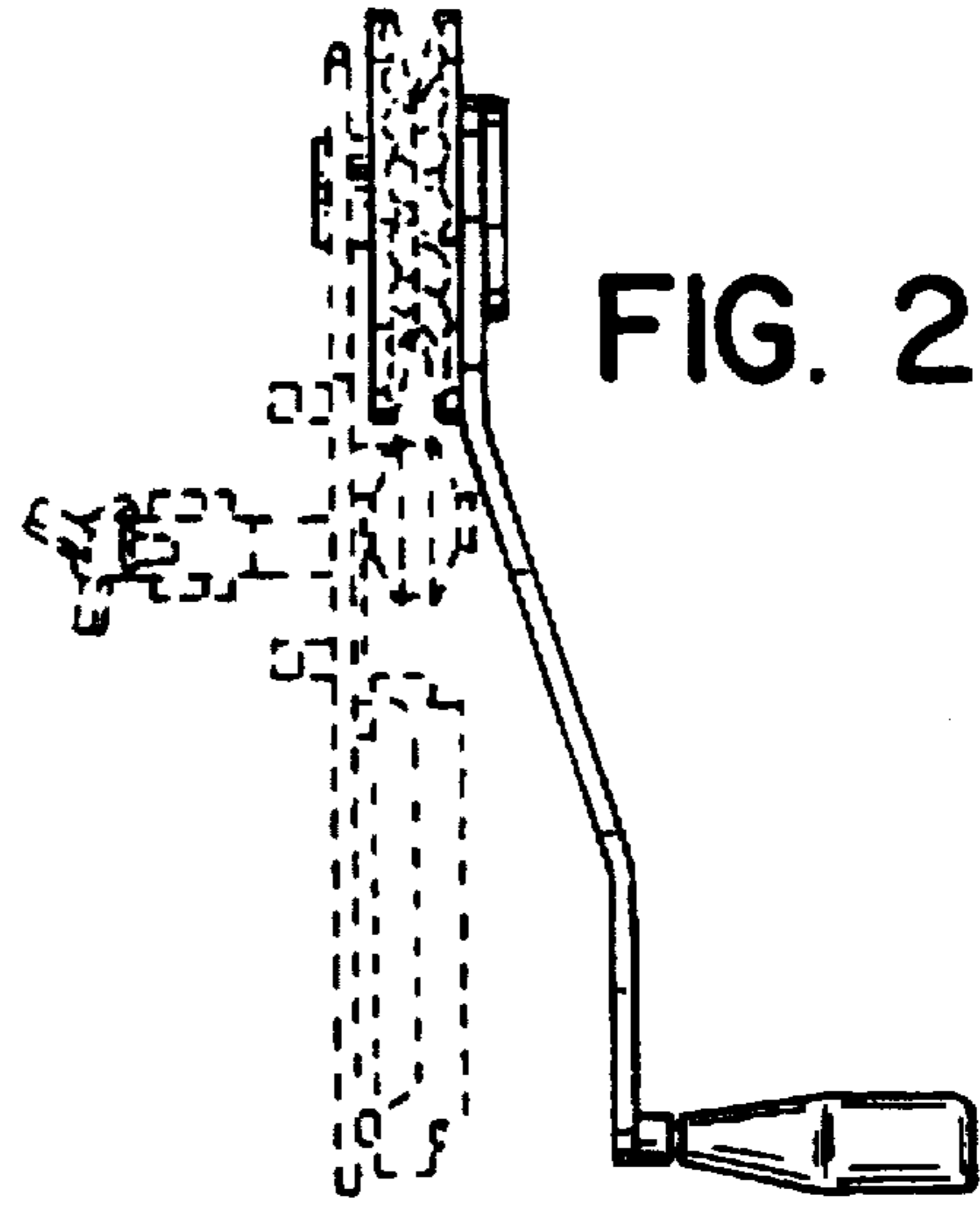
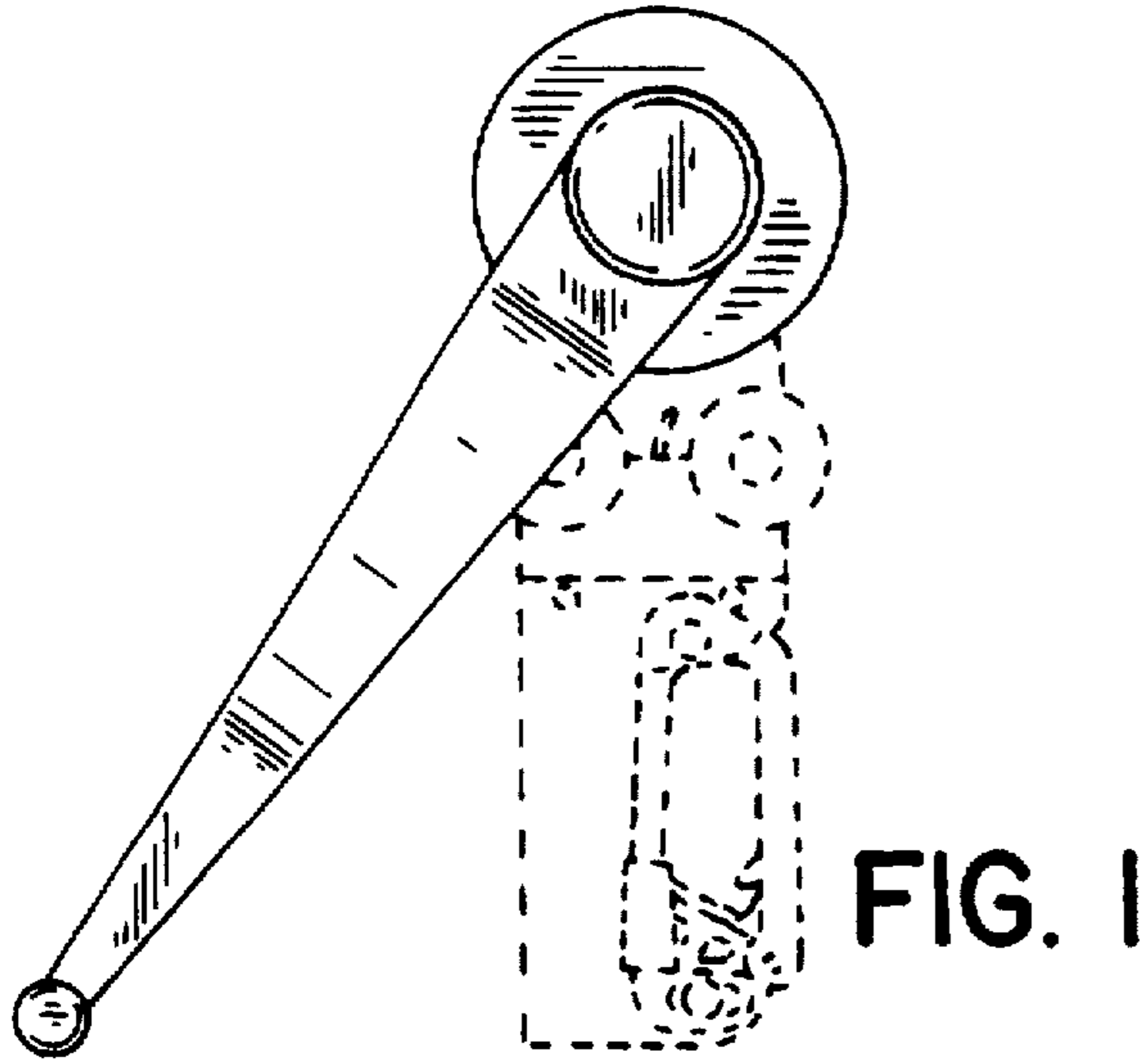
U.S. PATENT DOCUMENTS

FIG. 8 is a rear view in elevation of the hand winch of FIG. 1 without the base plate.
In the above illustrations, the broken line showing a hand winch base plate is for illustrative purposes only and forms no part of the claimed design.

D. 260,754	9/1981	Gunnels	D34/33
D. 298,078	10/1988	Stoker	D34/33
982,586	1/1911	Gellert	D8/359
2,530,586	11/1950	Smith	254/266
2,961,218	11/1960	Fulton	192/19
3,361,411	1/1968	Reigh	254/266

1 Claim, 3 Drawing Sheets





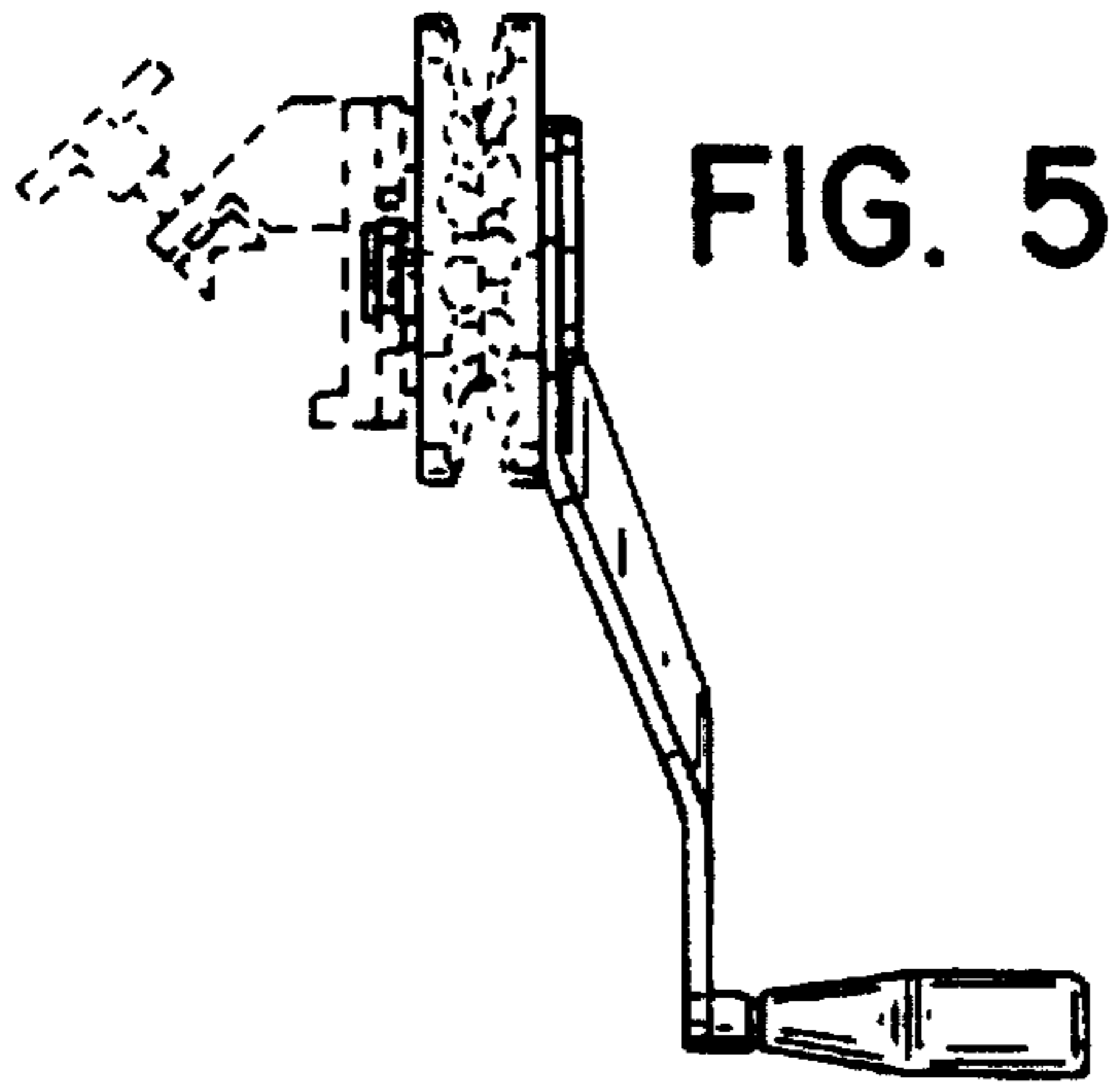


FIG. 5

FIG. 6

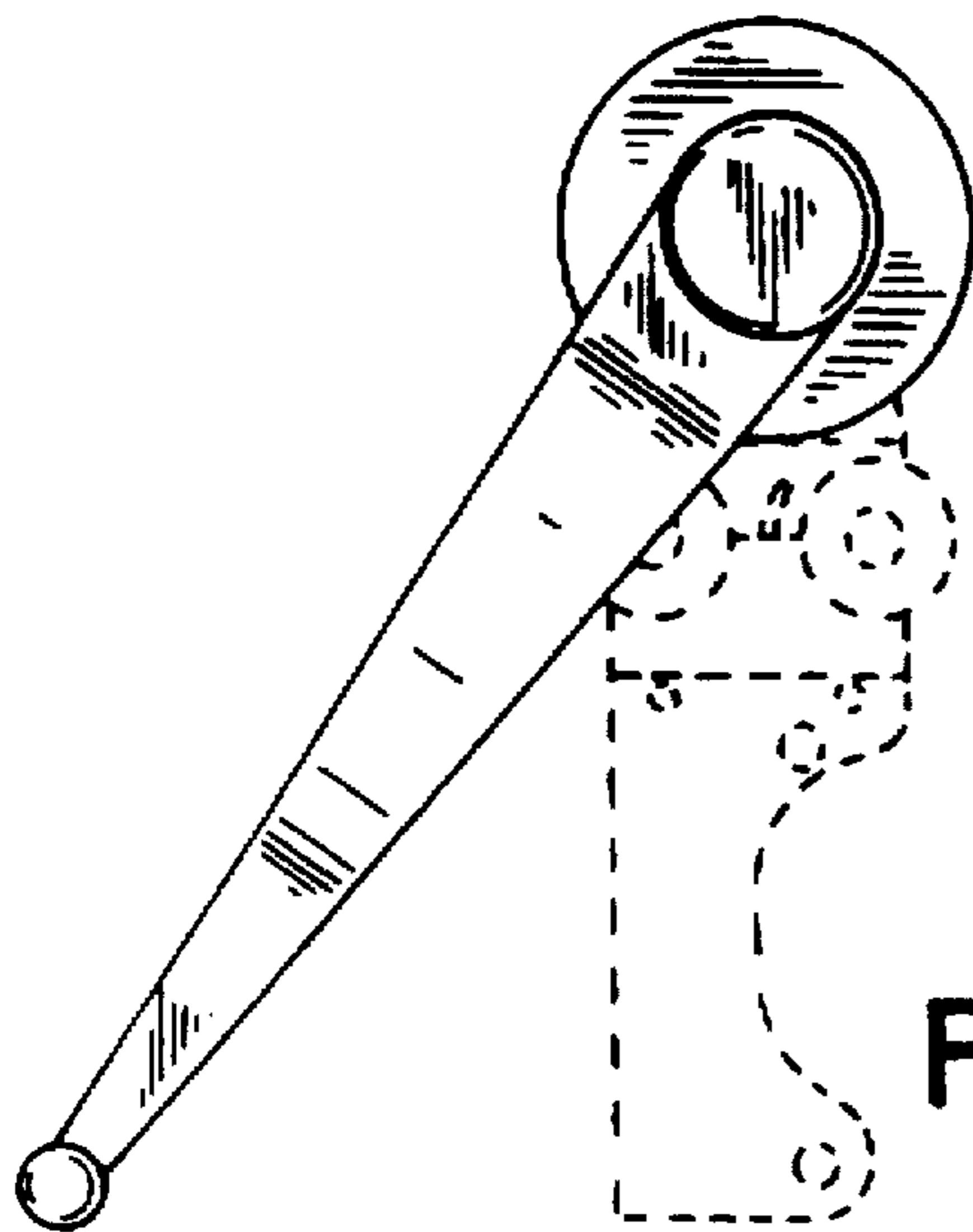
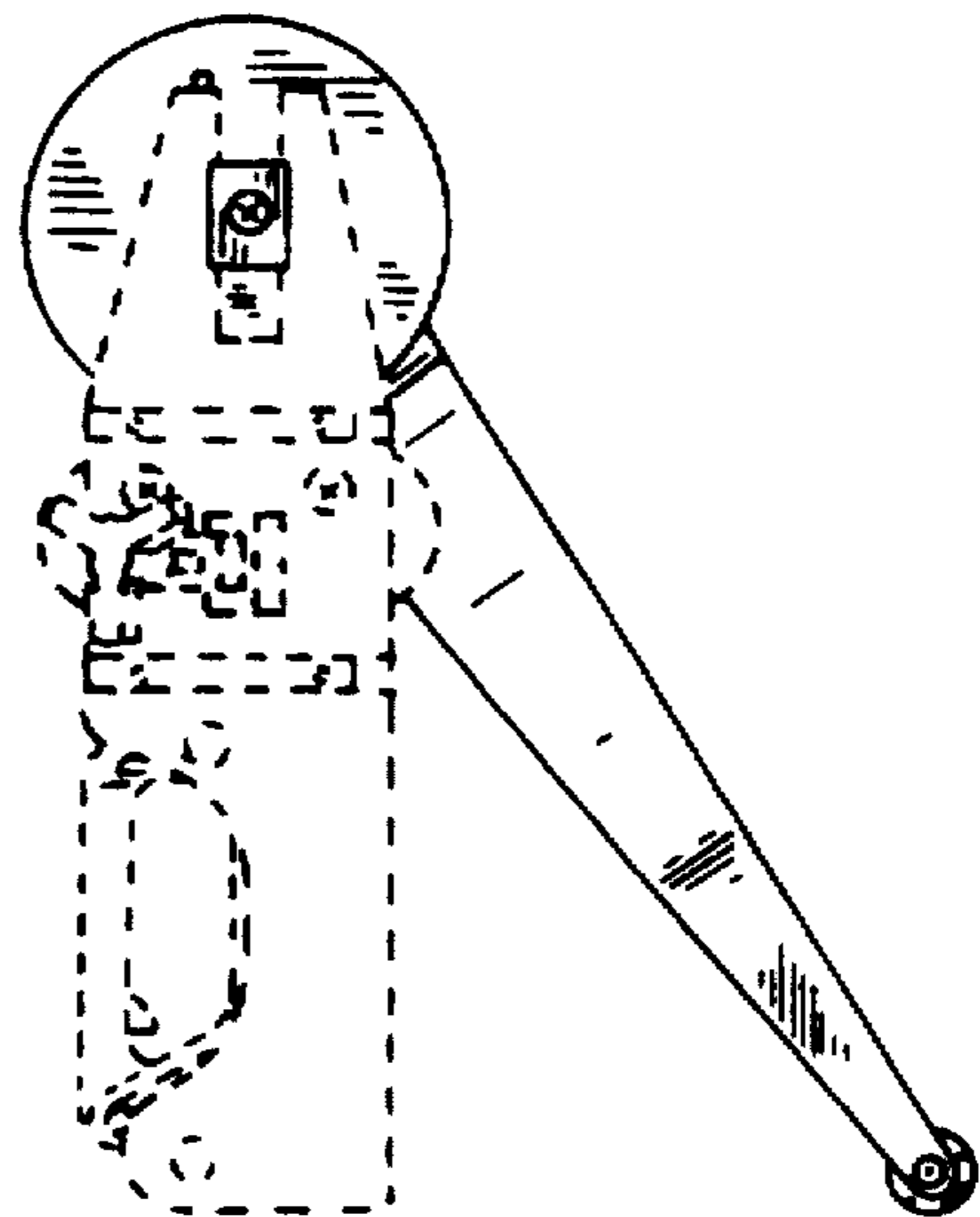


FIG. 7

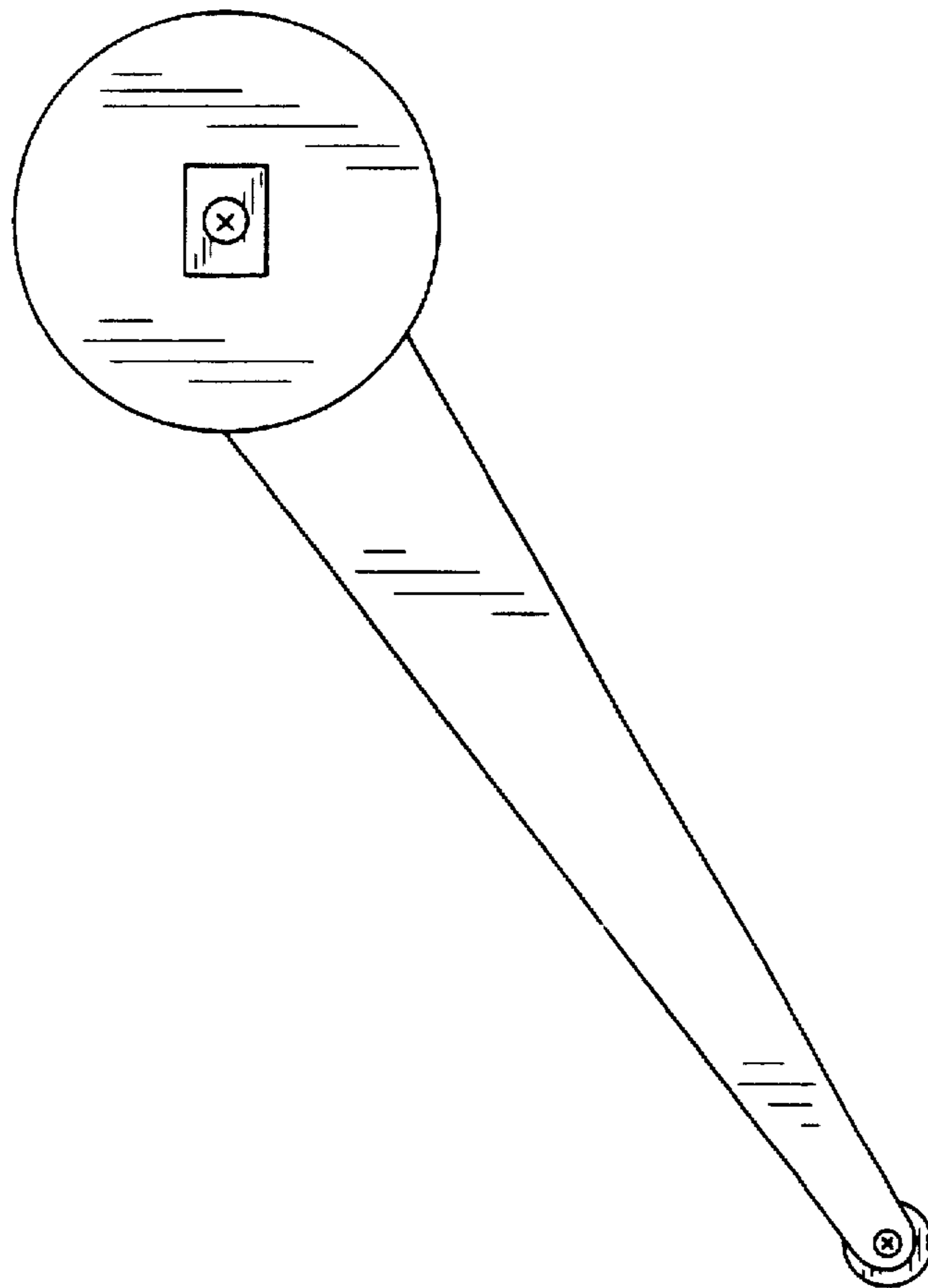


FIG. 8