



US00D395112S

United States Patent [19]

Puhl

[11] Patent Number: **Des. 395,112**

[45] Date of Patent: ****Jun. 9, 1998**

[54] **FOOD SERVICE TRAILER**

3,542,396 11/1970 Hill 296/22

[76] Inventor: **Gregg F. Puhl**, 260 Lake Terrace Dr., Hendersonville, Tenn. 37075

Primary Examiner—Susan J. Lucas
Assistant Examiner—Cynthia E. Ramirez
Attorney, Agent, or Firm—Collier, Shannon, Rill & Scott, PLLC

[**] Term: **14 Years**

[21] Appl. No.: **61,010**

[57] **CLAIM**

[22] Filed: **Oct. 15, 1996**

The ornamental design for a food service trailer, as shown and described.

[51] LOC (6) Cl. **12-02**

DESCRIPTION

[52] U.S. Cl. **D34/25**

[58] Field of Search D34/12-27; 296/22, 296/1.1; 280/47.131, 47.15, 47.24, 47.35, 79.11, 79.4

FIG. 1 is a left, front perspective view of a food service trailer showing my new design;
FIG. 2 is a top plan view thereof;
FIG. 3 is a front elevational view thereof;
FIG. 4 is a left side elevational view thereof, the right side being symmetrical; and,
FIG. 5 is a rear elevational view thereof.

[56] **References Cited**

U.S. PATENT DOCUMENTS

| | | | | |
|------------|---------|---------------|-------|----------|
| D. 223,150 | 3/1972 | Gonzalez | | D34/25 |
| D. 265,374 | 7/1982 | Hamilton, Jr. | | D34/25 X |
| D. 345,839 | 4/1994 | Senese | | D34/25 X |
| D. 345,840 | 4/1994 | Serrano | | D34/25 |
| D. 374,532 | 10/1996 | Pool | | D34/25 X |
| 1,821,593 | 9/1931 | Vorst | | 296/1.1 |
| 3,495,865 | 2/1970 | Hill | | 296/22 |

The bottom plan view is omitted, the trailer bottom being plain and unornamented.

The elements shown in broken lines in the disclosure are for illustrative purposes only and form no part of the claimed design.

1 Claim, 3 Drawing Sheets

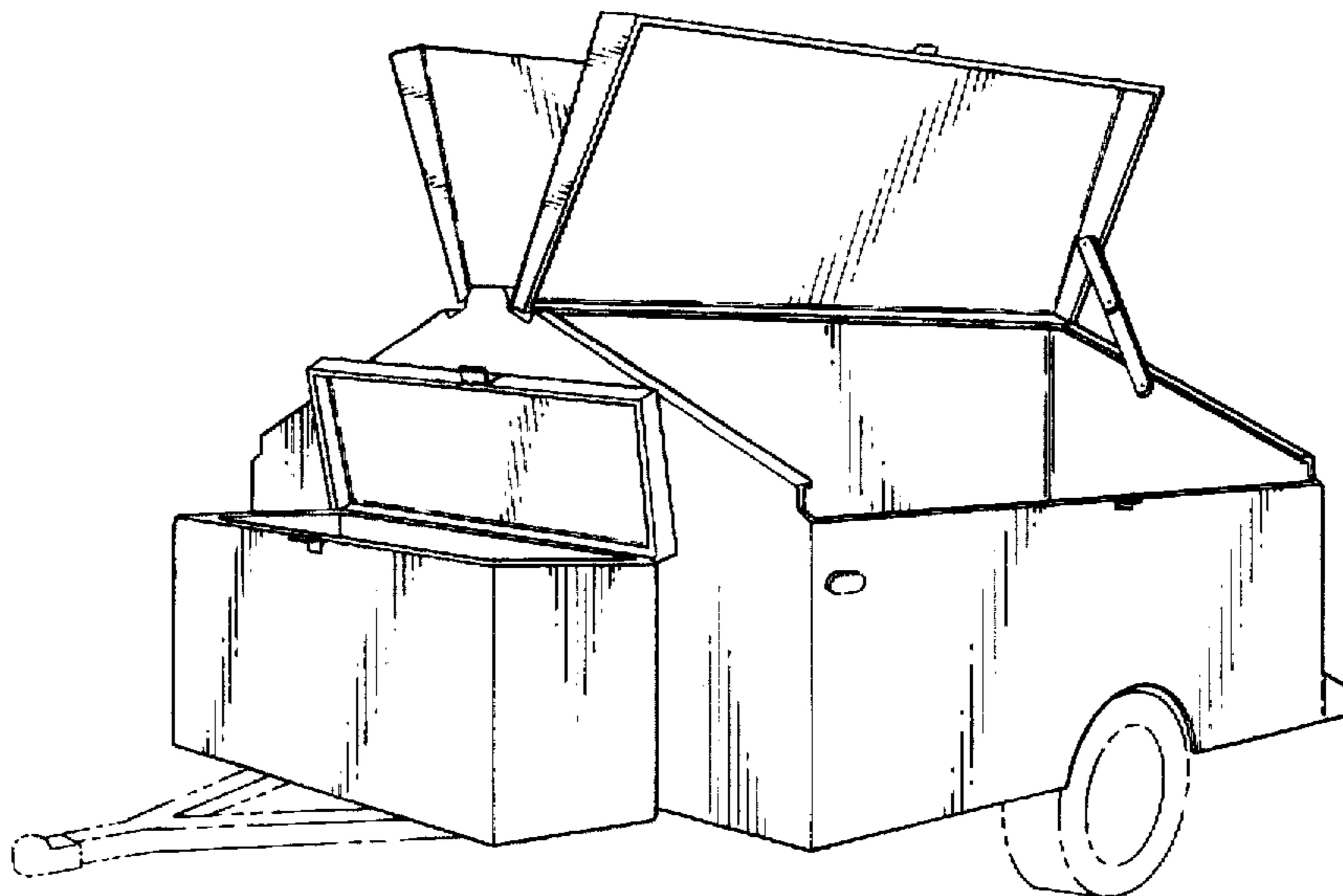


FIG-1

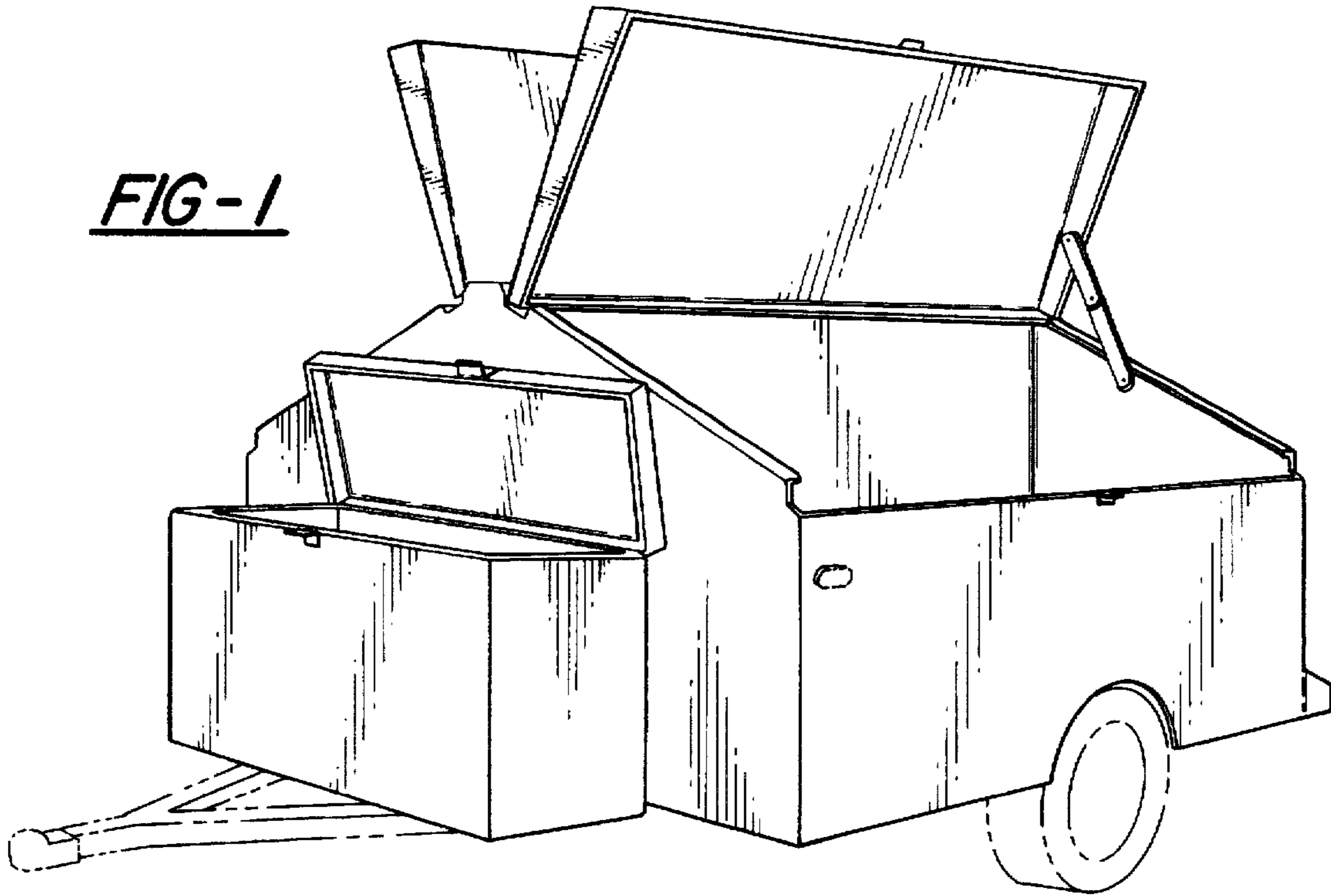


FIG-2

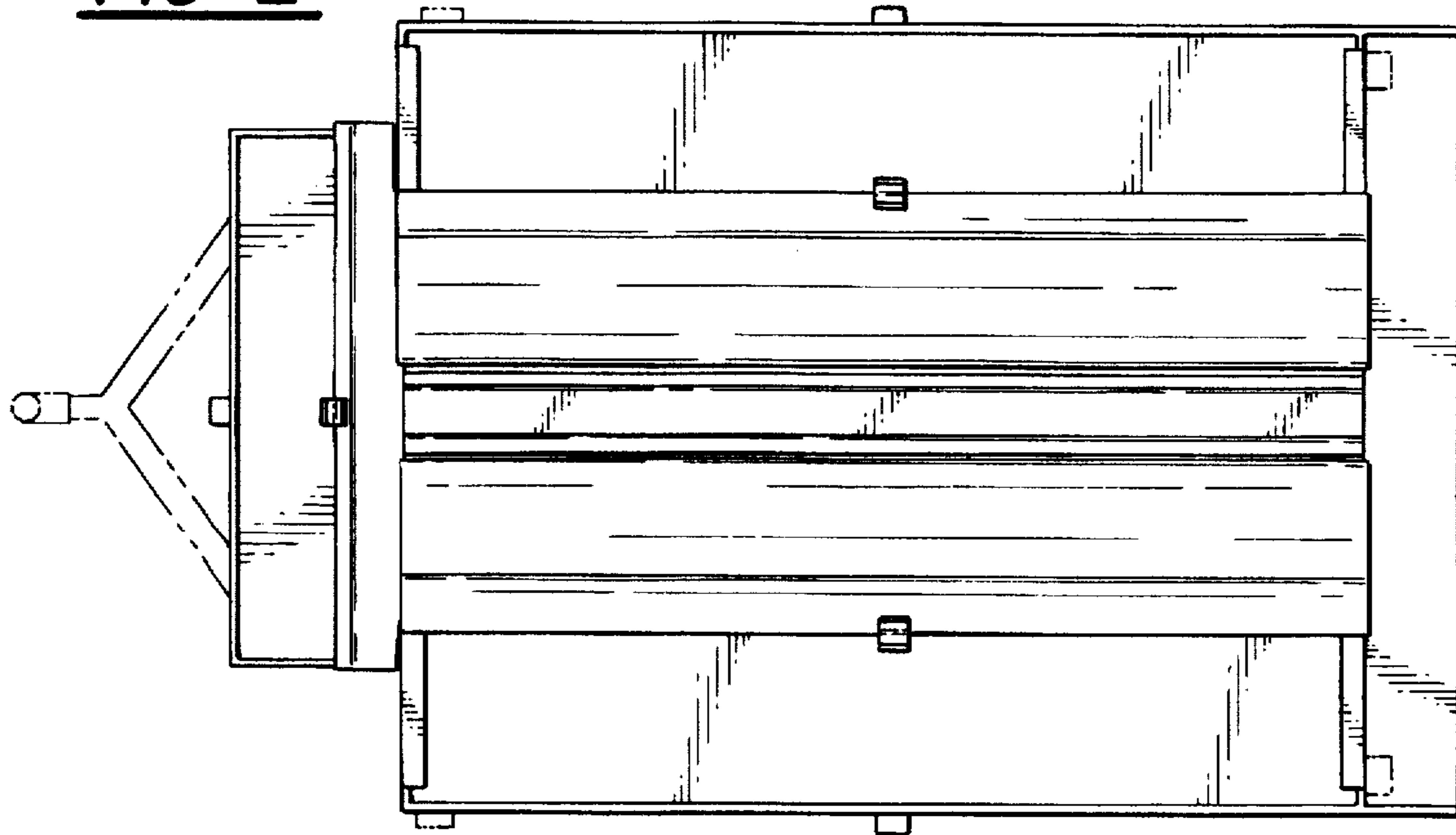


FIG-3

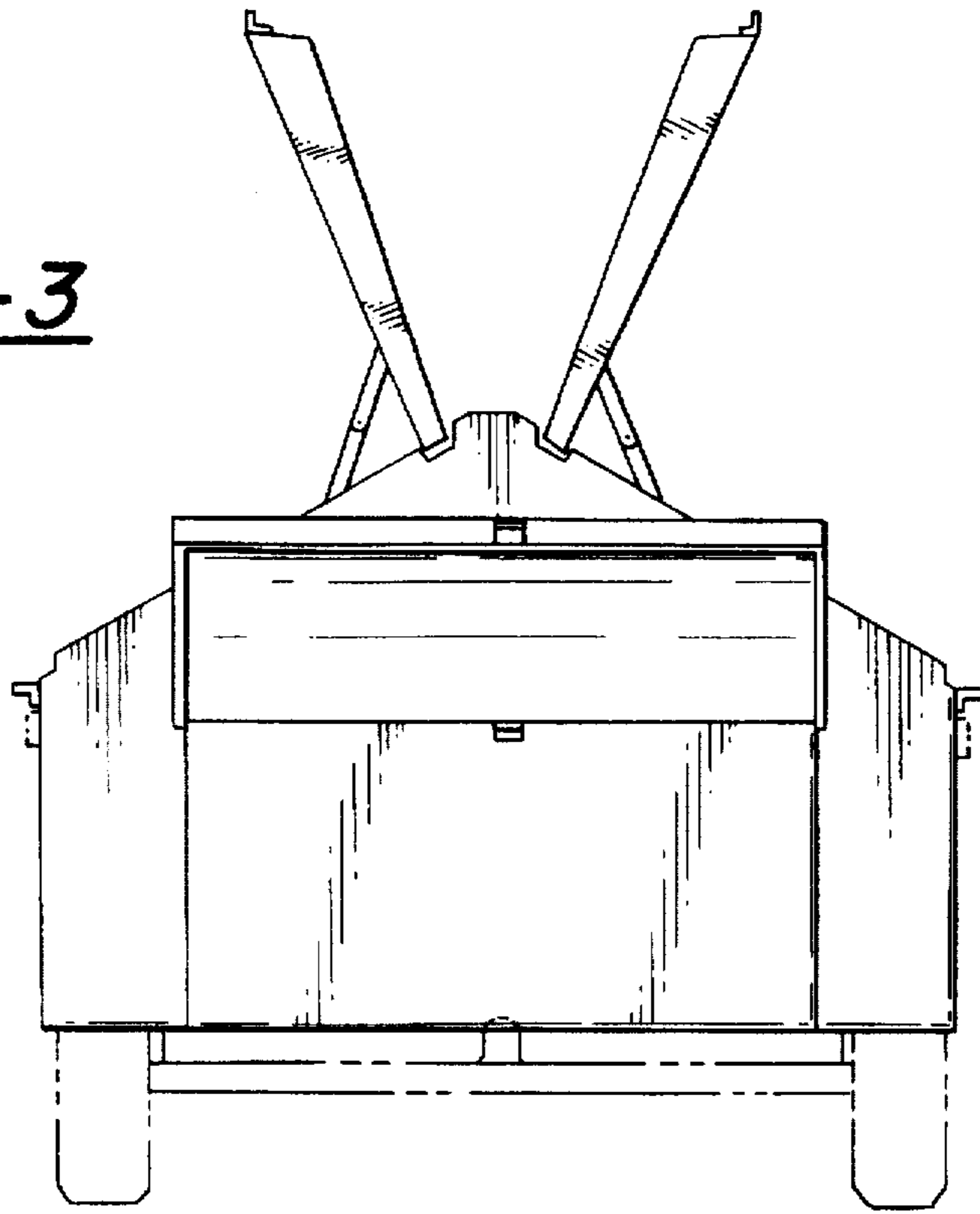
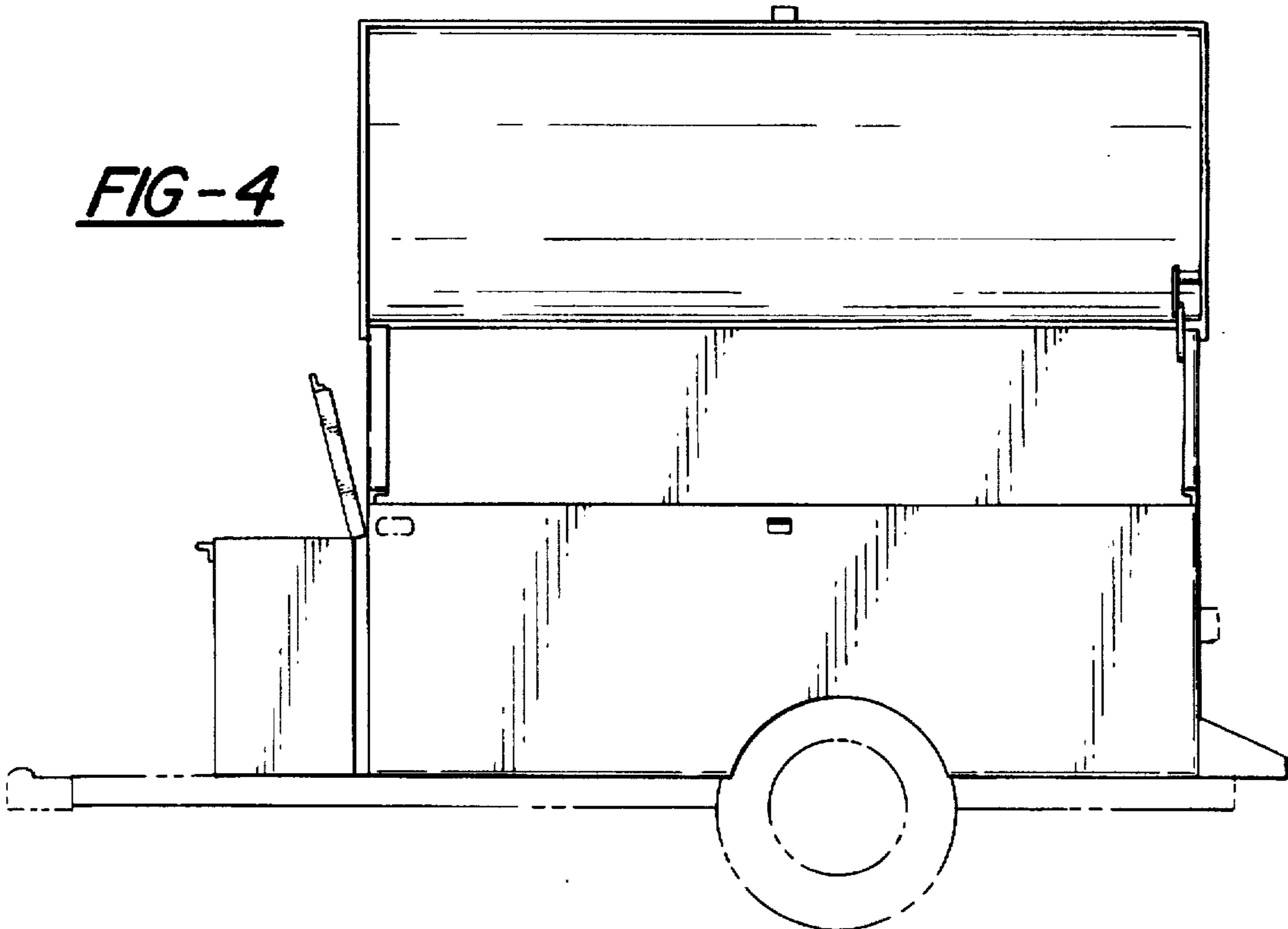


FIG-4



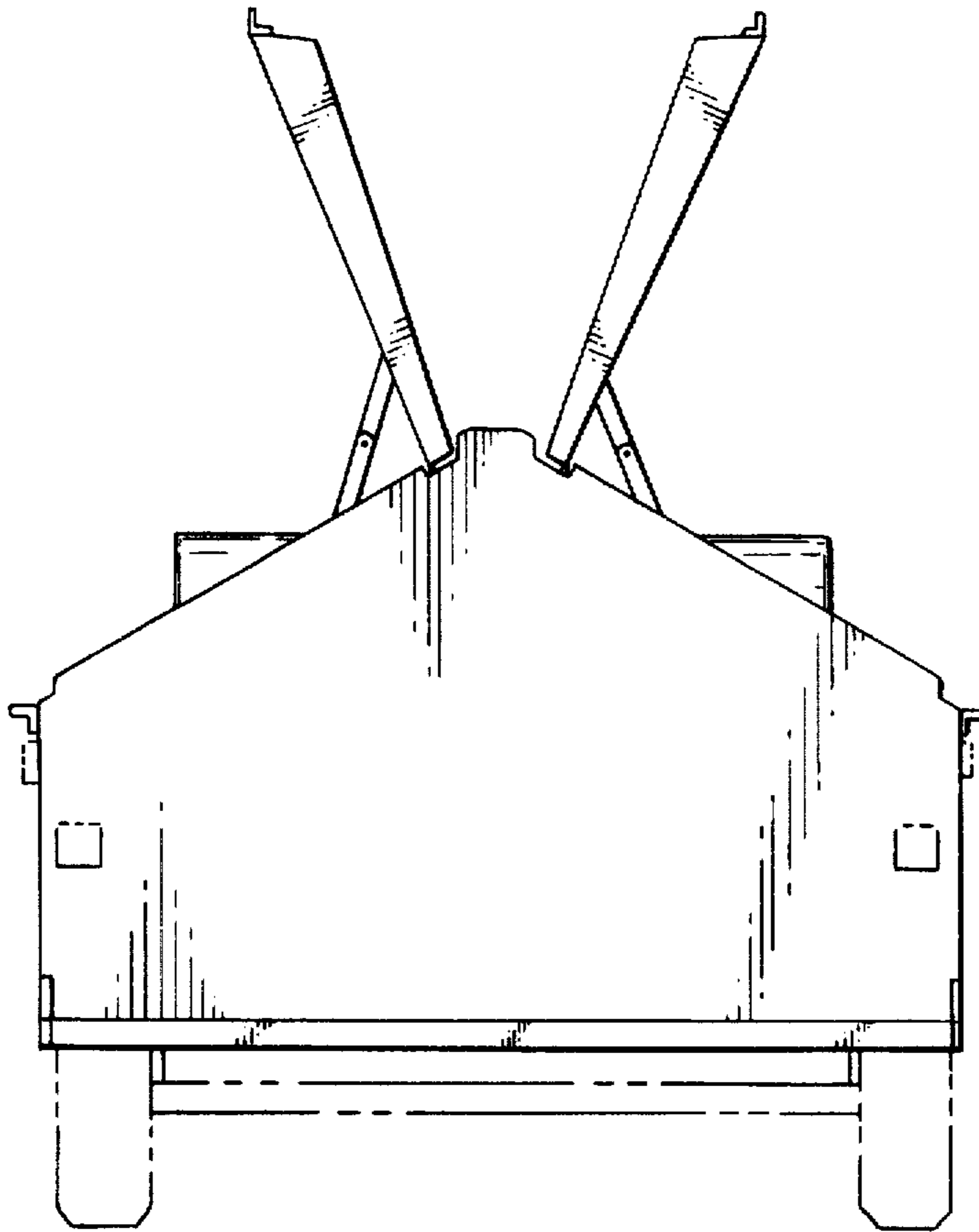


FIG-5