



US00D395111S

United States Patent [19]

Spear et al.

[11] Patent Number: **Des. 395,111**

[45] Date of Patent: ****Jun. 9, 1998**

[54] **WHEELED HOSE REEL SUPPORT**

[75] Inventors: **Kenneth J. Spear**, Vienna; **Rudy F. Planthaber**, Mineral Wells; **Eric D. Bennett**, Parkersburg, all of W. Va.; **Steven F. Brooker**, Marietta, Ohio

[73] Assignee: **O. Ames Co.**, Parkersburg, W. Va.

[**] Term: **14 Years**

[21] Appl. No.: **68,338**

[22] Filed: **Apr. 3, 1997**

[51] **LOC (6) Cl.** **12-02**

[52] **U.S. Cl.** **D34/24; D34/12**

[58] **Field of Search** **D34/12-26; 242/403.1, 242/355.27, 355.16; D8/359, 358**

[56] **References Cited**

U.S. PATENT DOCUMENTS

D. 323,916 2/1992 Sanchez, Jr. et al. D34/24

D. 349,039 7/1994 Goodman et al. D34/24
D. 363,207 10/1995 Tisbo et al. D34/26
D. 376,096 12/1996 Tisbo et al. D34/24

Primary Examiner—**Kay H. Chin**
Attorney, Agent, or Firm—**Cushman Darby & Cushman IP Group of Pillsbury Madison & Sutro LLP**

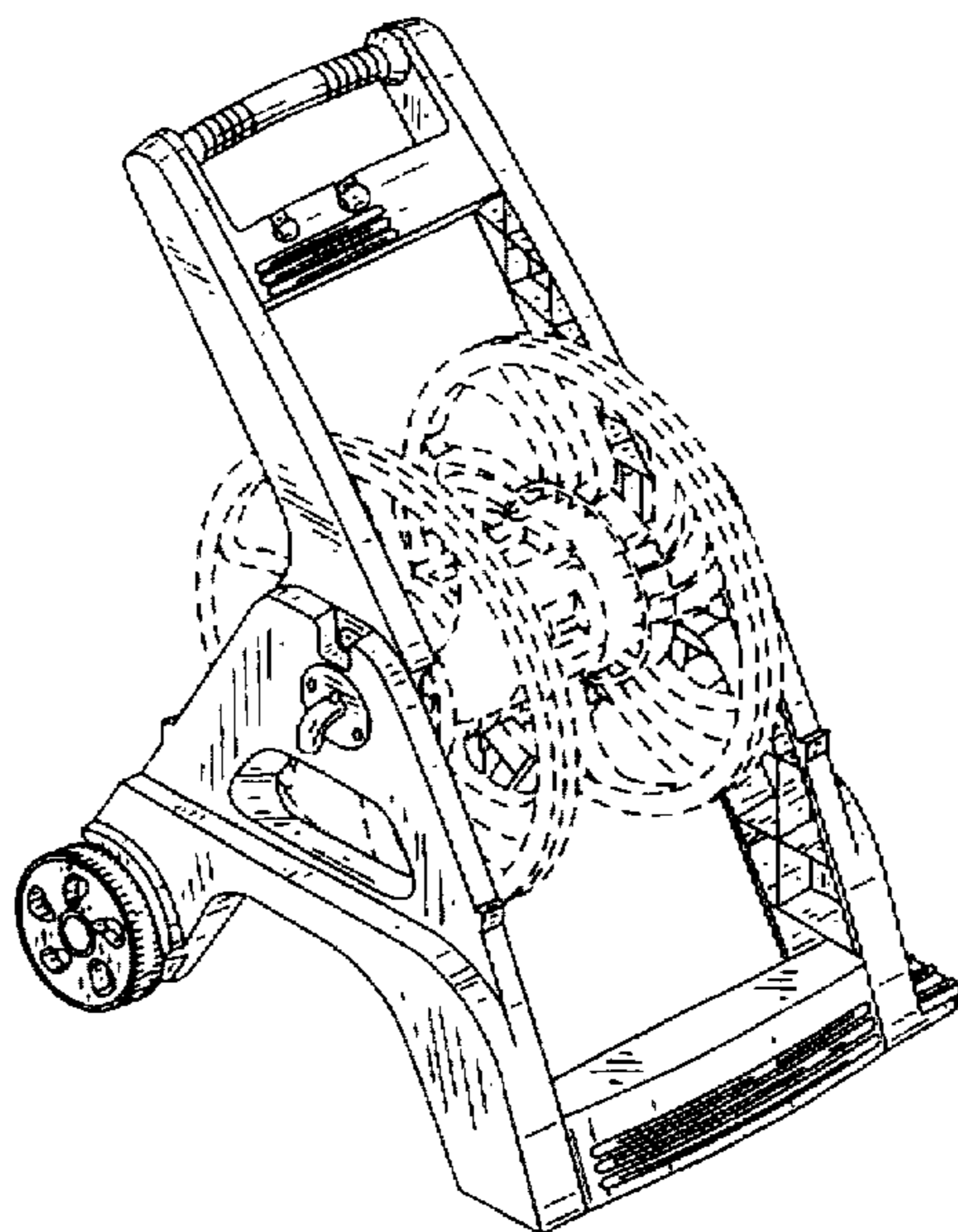
[57] **CLAIM**

The ornamental design for a wheeled hose reel support, as shown and described.

DESCRIPTION

FIG. 1 is a perspective view of a wheeled hose reel support embodying our new design;
FIG. 2 is a left hand side view thereof;
FIG. 3 is a right hand side view thereof;
FIG. 4 is a rear elevational view thereof;
FIG. 5 is a front elevational view thereof;
FIG. 6 is a top plan view thereof; and,
FIG. 7 is a bottom plan view thereof.

1 Claim, 4 Drawing Sheets



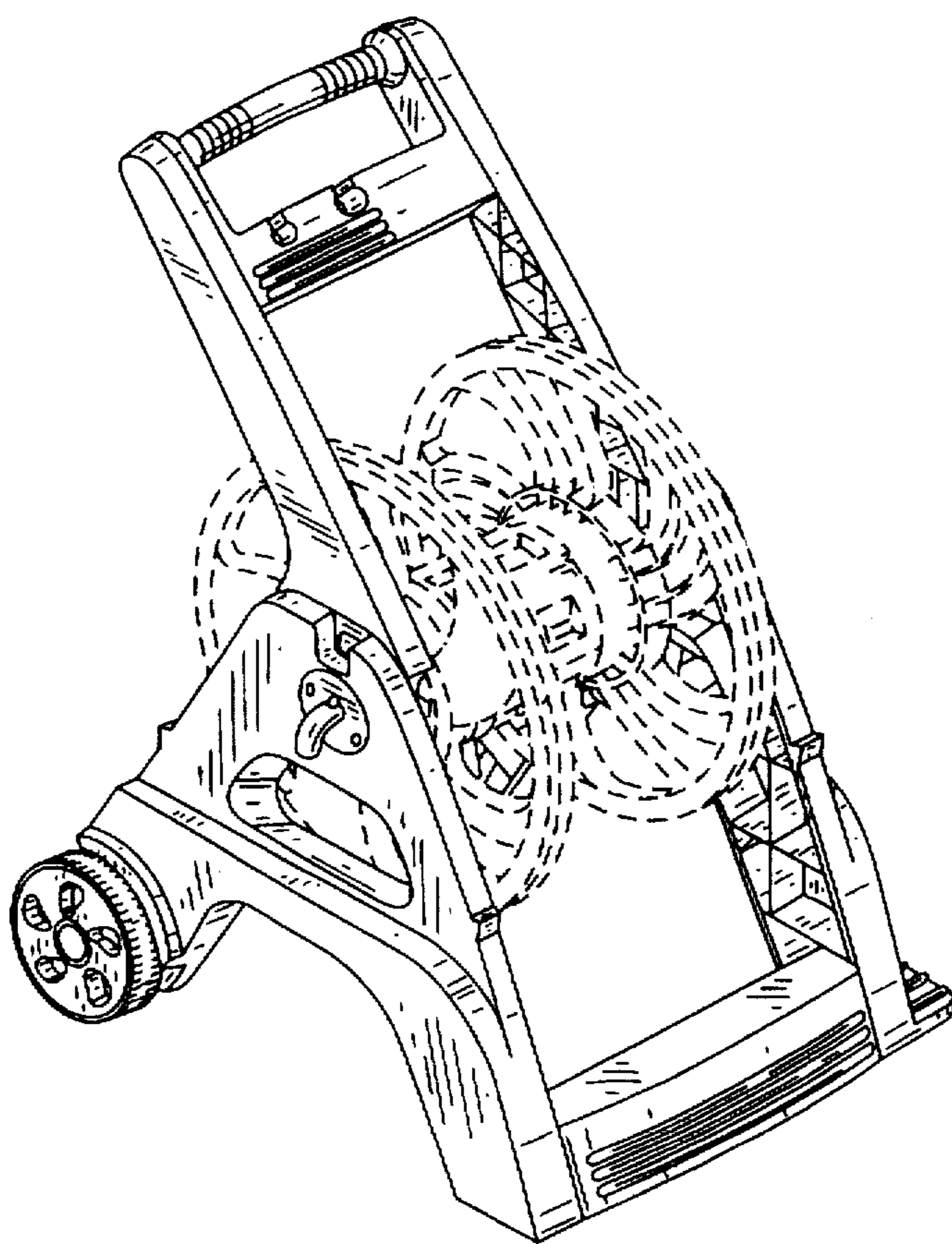


FIG. 1

FIG. 3

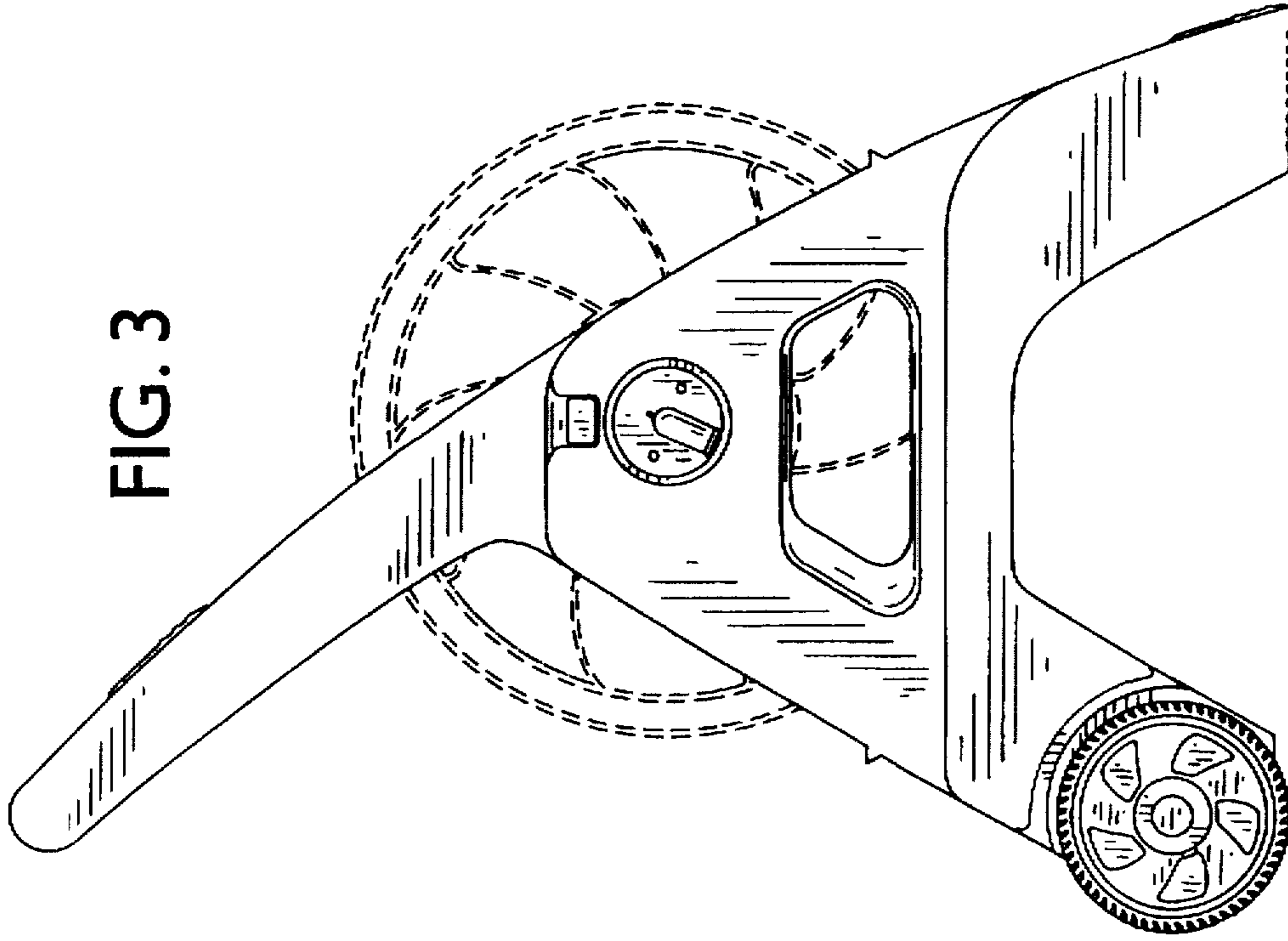


FIG. 2

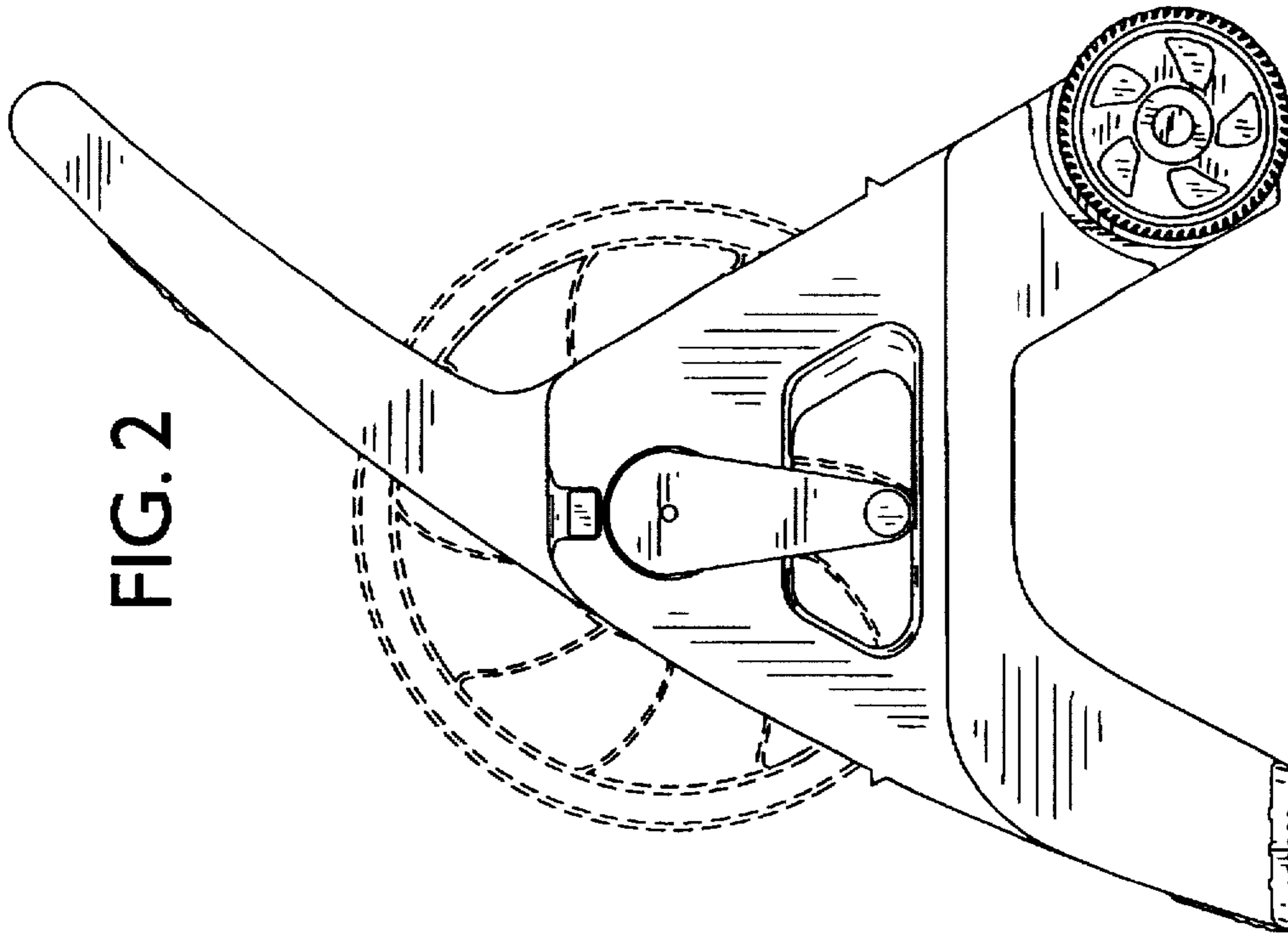


FIG. 5

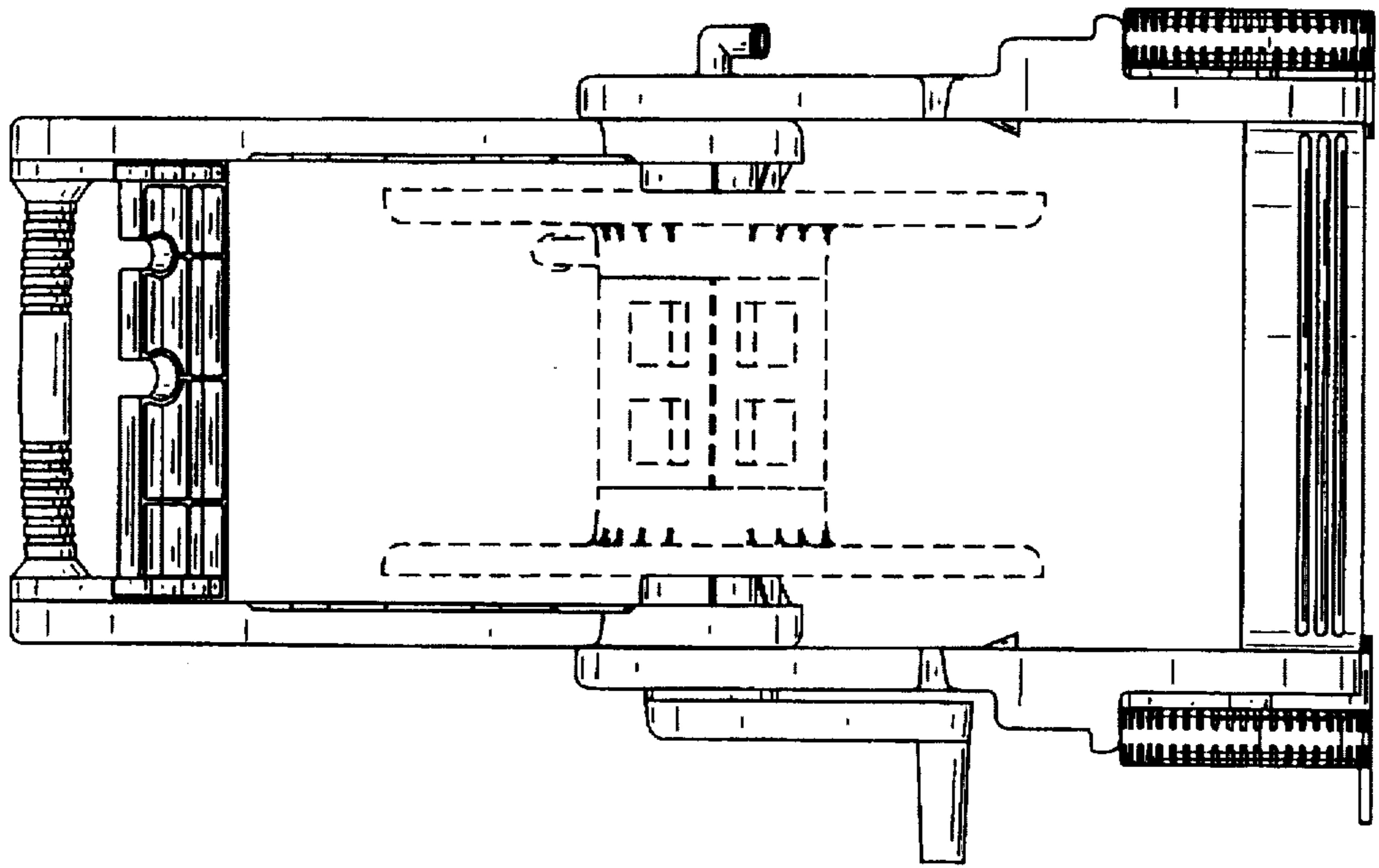


FIG. 4

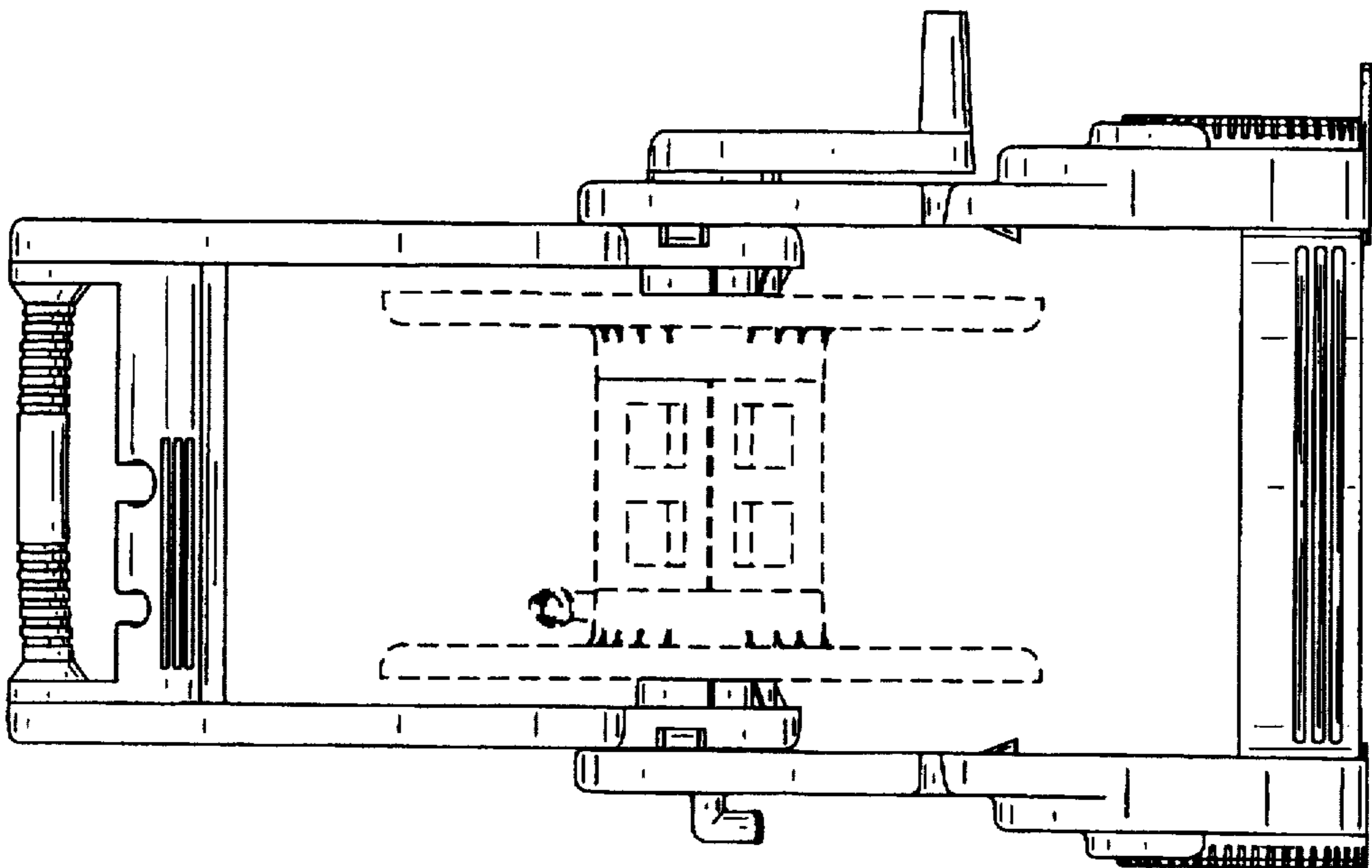


FIG. 6

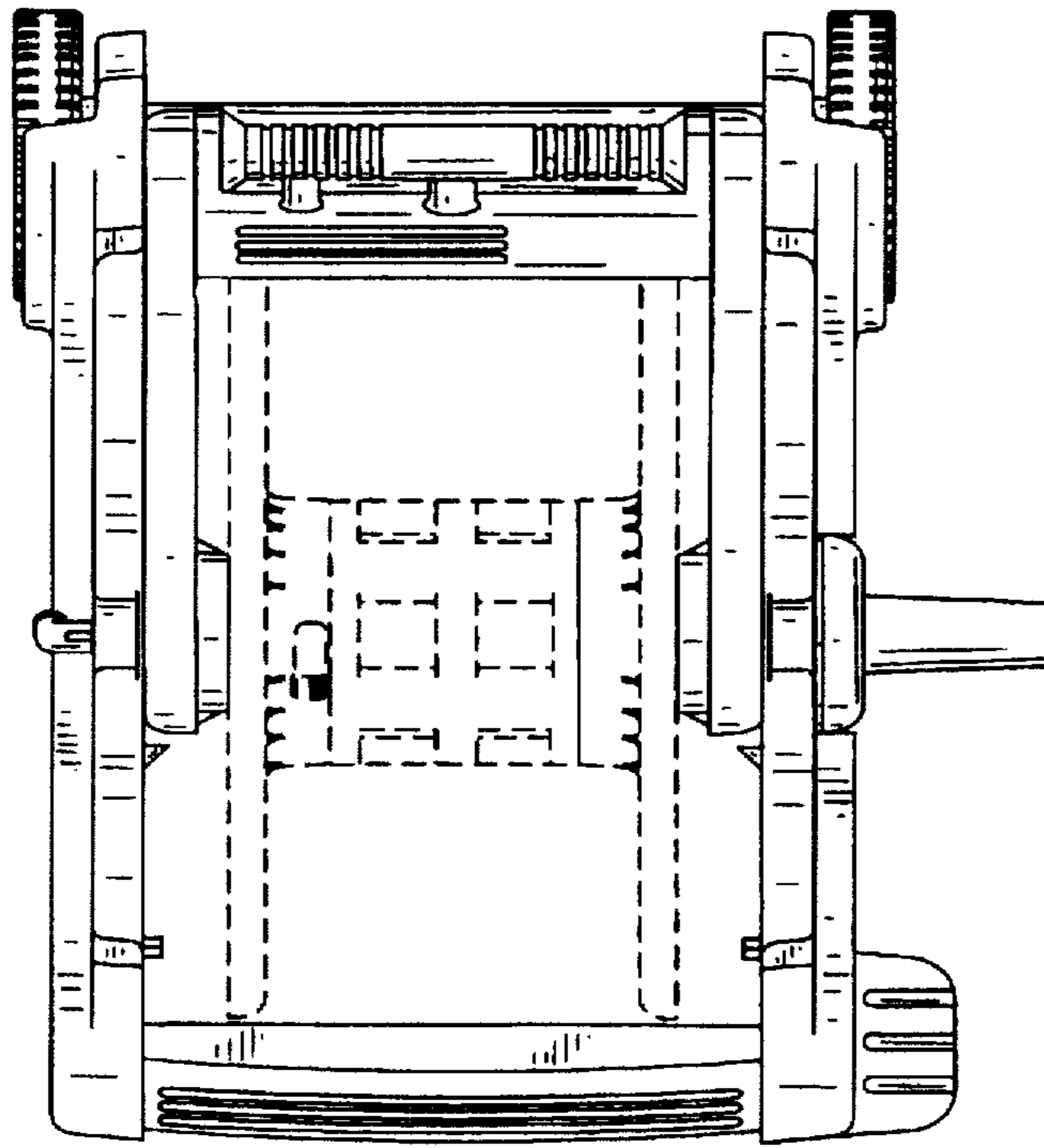


FIG. 7

