



US00D395110S

United States Patent [19]

O'Neal et al.

[11] Patent Number: **Des. 395,110**

[45] Date of Patent: ****Jun. 9, 1998**

[54] **RECYCLE BIN CARRIER SYSTEM**

[76] Inventors: **David O. O'Neal**, 9343 Raven Dell St.;
Charles Gentry, 9348 Raven Dell St.,
both of Orlando, Fla. 32825

[**] Term: **14 Years**

[21] Appl. No.: **63,446**

[22] Filed: **Dec. 9, 1996**

[51] LOC (6) Cl. **12-02**

[52] U.S. Cl. **D34/24; 280/47.24**

[58] Field of Search D34/24, 12, 16,
D34/5, 7, 26; 248/95, 97, 98, 99, 951, 129,
133; 280/47.24, 47.26, 47.33, 63

[56] **References Cited**

U.S. PATENT DOCUMENTS

D. 157,589	3/1950	Hartenbach	D34/24
D. 285,019	8/1986	Jackmore	D34/26
D. 332,335	1/1993	Casad	D34/24
D. 337,191	7/1993	Ibrahim	D34/12
D. 337,405	7/1993	Wolters	D34/5
D. 366,548	1/1996	Morasse	D34/24
1,542,164	6/1925	Nelson	.	

4,179,132	12/1979	Rich	280/47.26
4,202,521	5/1980	Harding	248/98
5,048,712	9/1991	Wolters	248/97 X
5,118,130	6/1992	Kaltz	280/47.29 X

Primary Examiner—Susan J. Lucas
Assistant Examiner—Cynthia E. Ramirz

[57] **CLAIM**

The ornamental design for a recycle bin carrier system, as shown.

DESCRIPTION

FIG. 1 is a front elevational view of the recycle bin carrier system of the present invention;
FIG. 2 is a rear elevational view of the recycle bin carrier system of FIG. 1;
FIG. 3 is a left side elevational view of the recycle bin carrier system of FIG. 1;
FIG. 4 is a right side elevational view of the recycle bin carrier system of FIG. 1, tilted back;
FIG. 5 is a top plan view of the recycle bin carrier system of FIG. 1; and,
FIG. 6 is a bottom plan view of the recycle bin carrier system of FIG. 1.

1 Claim, 3 Drawing Sheets

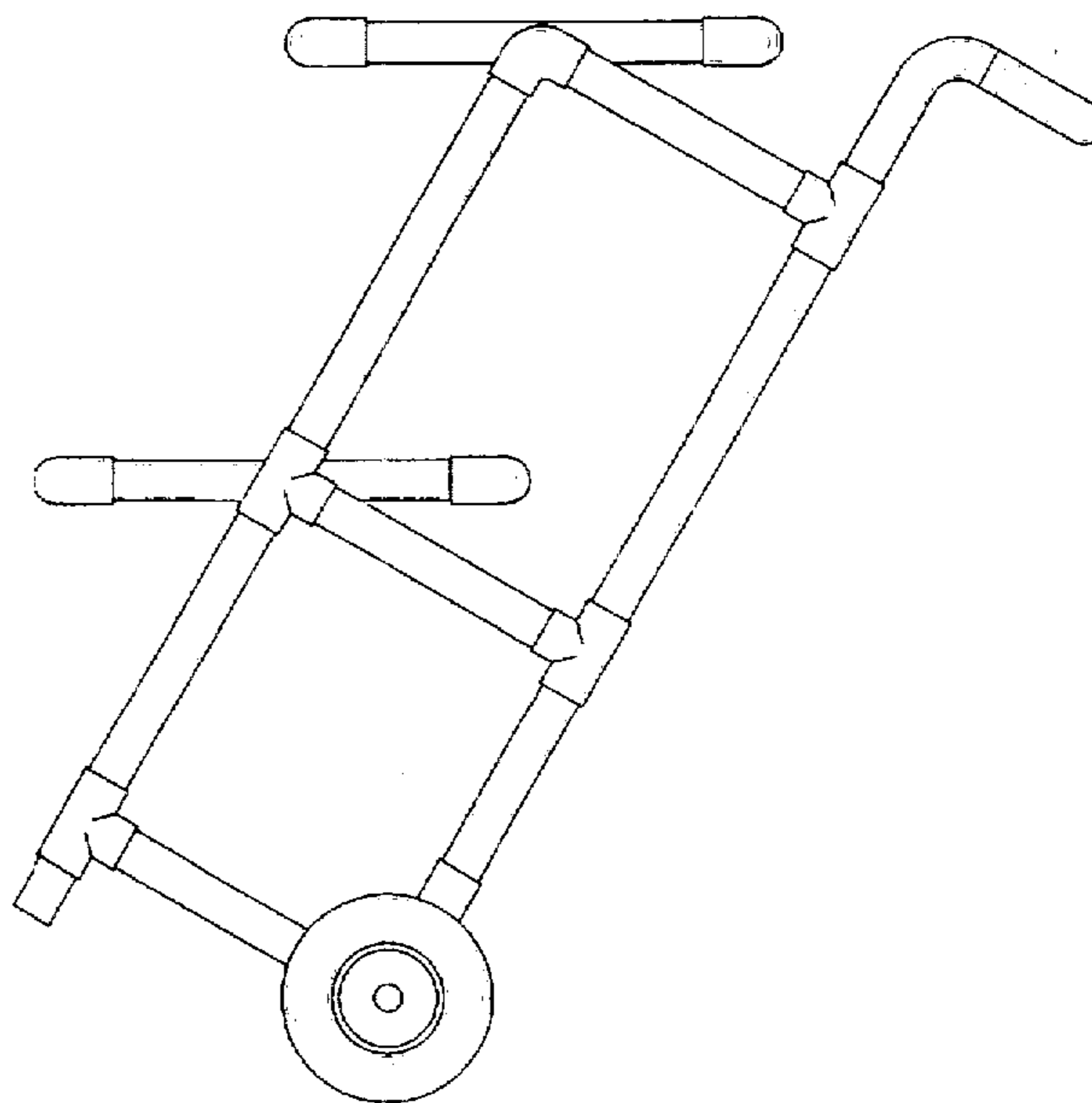
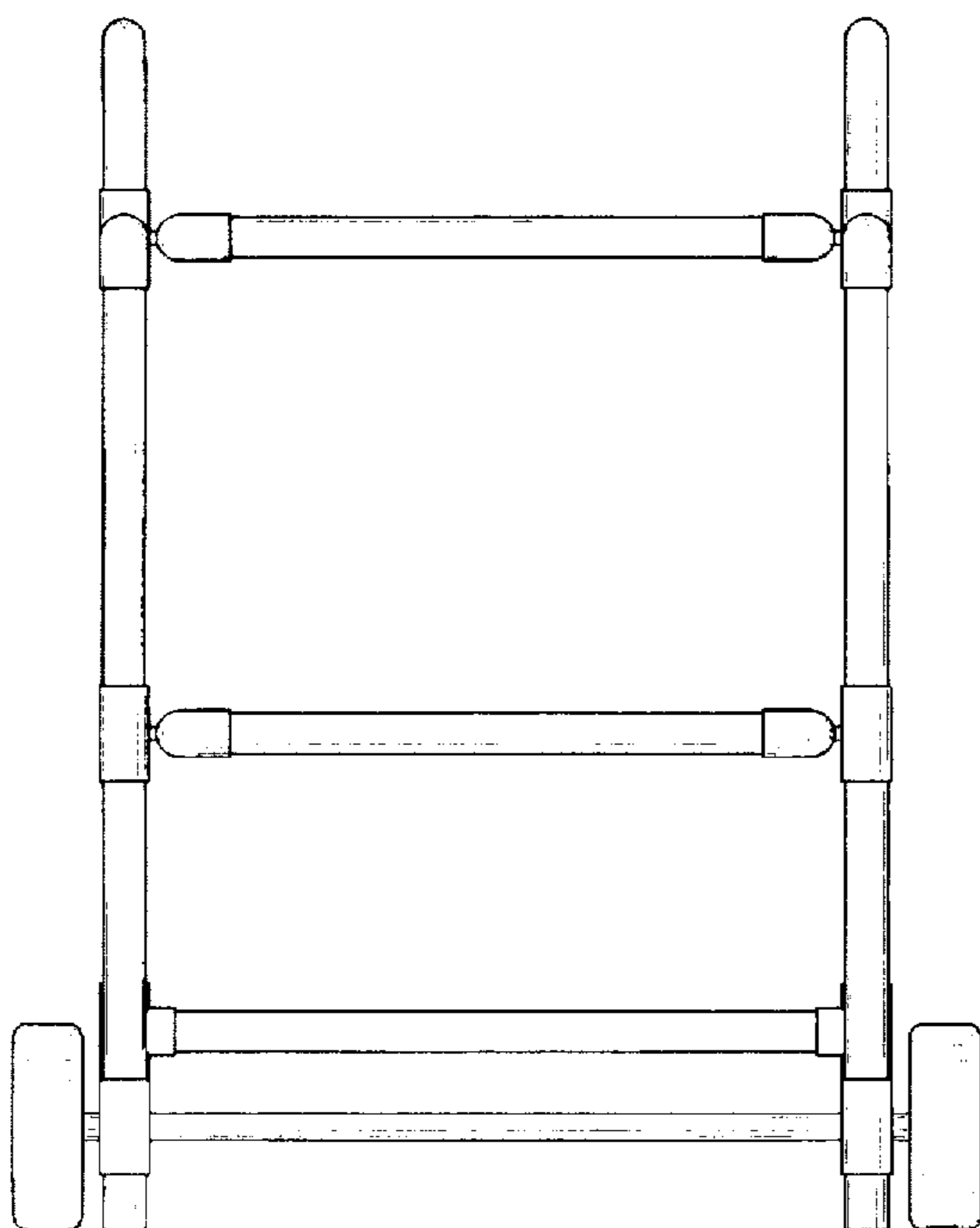


FIG. 1

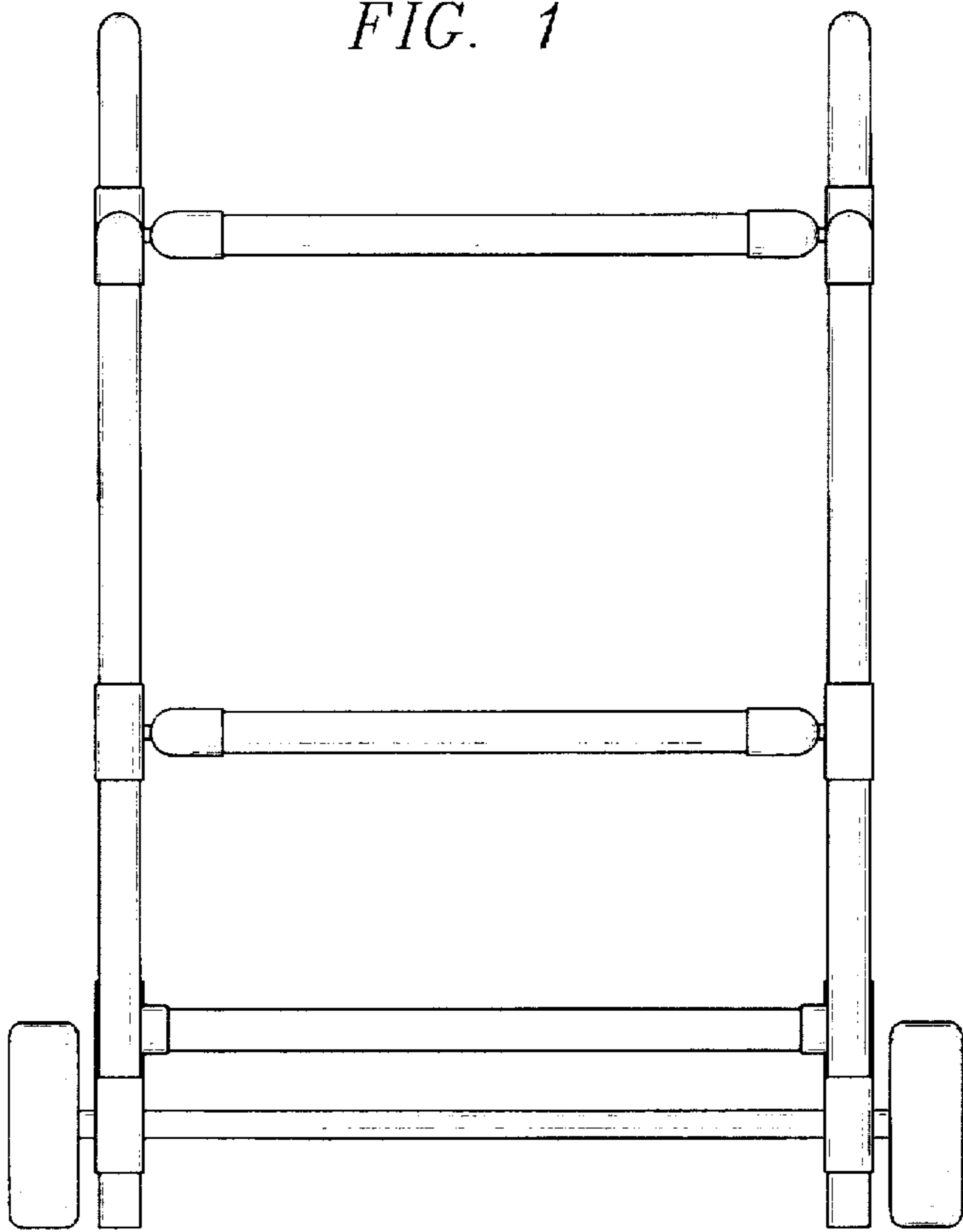


FIG. 2

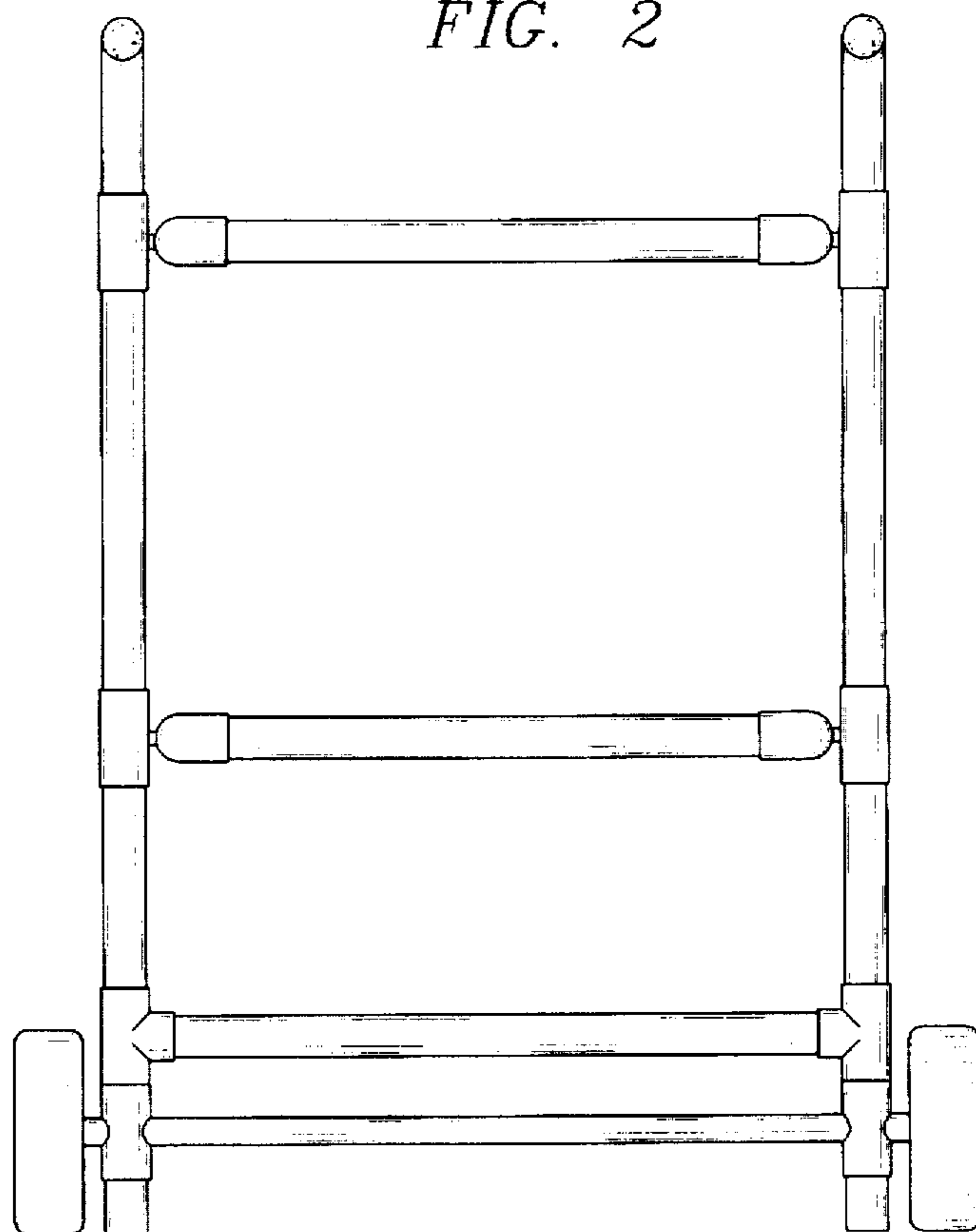


FIG. 3

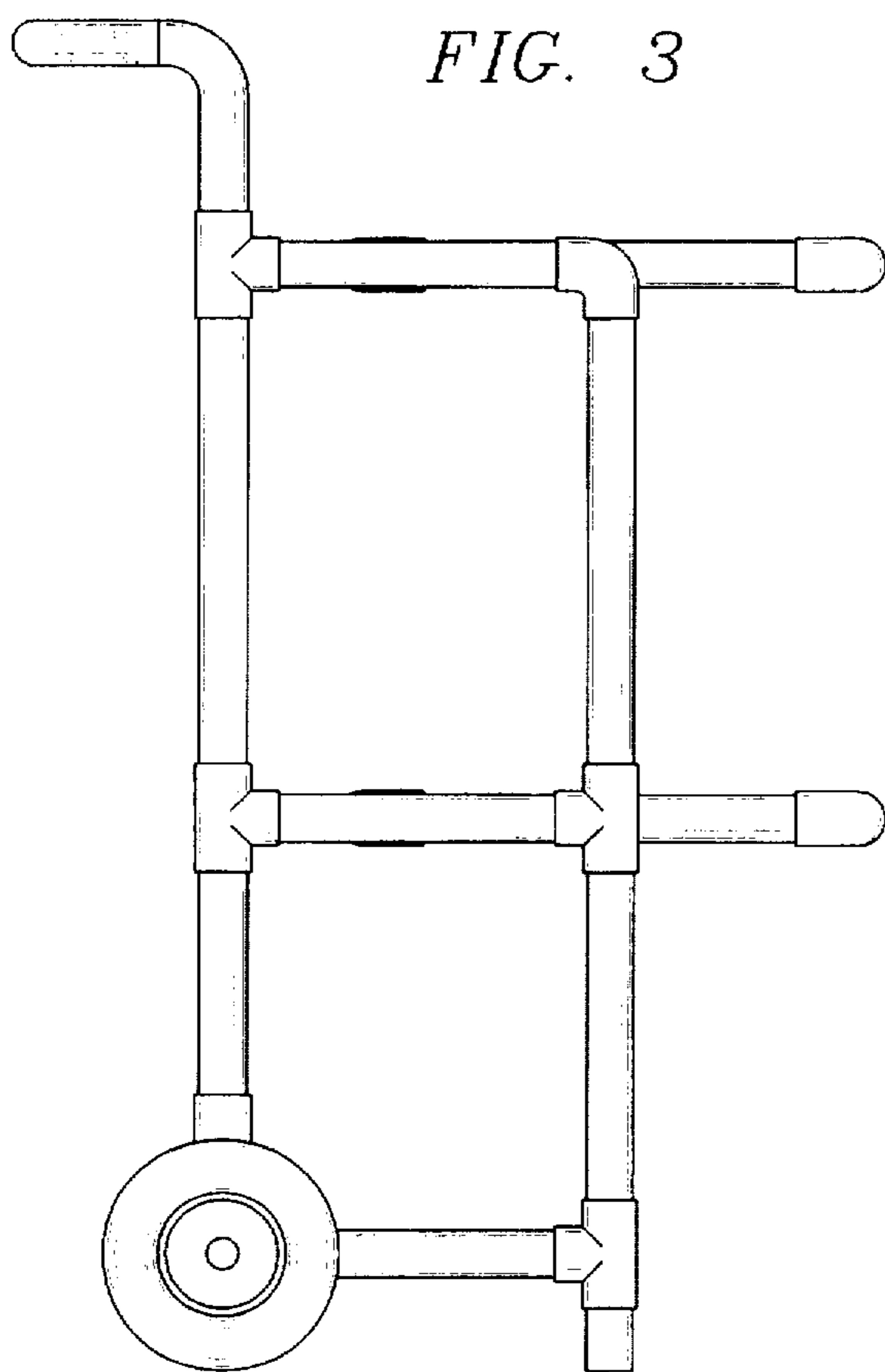


FIG. 4

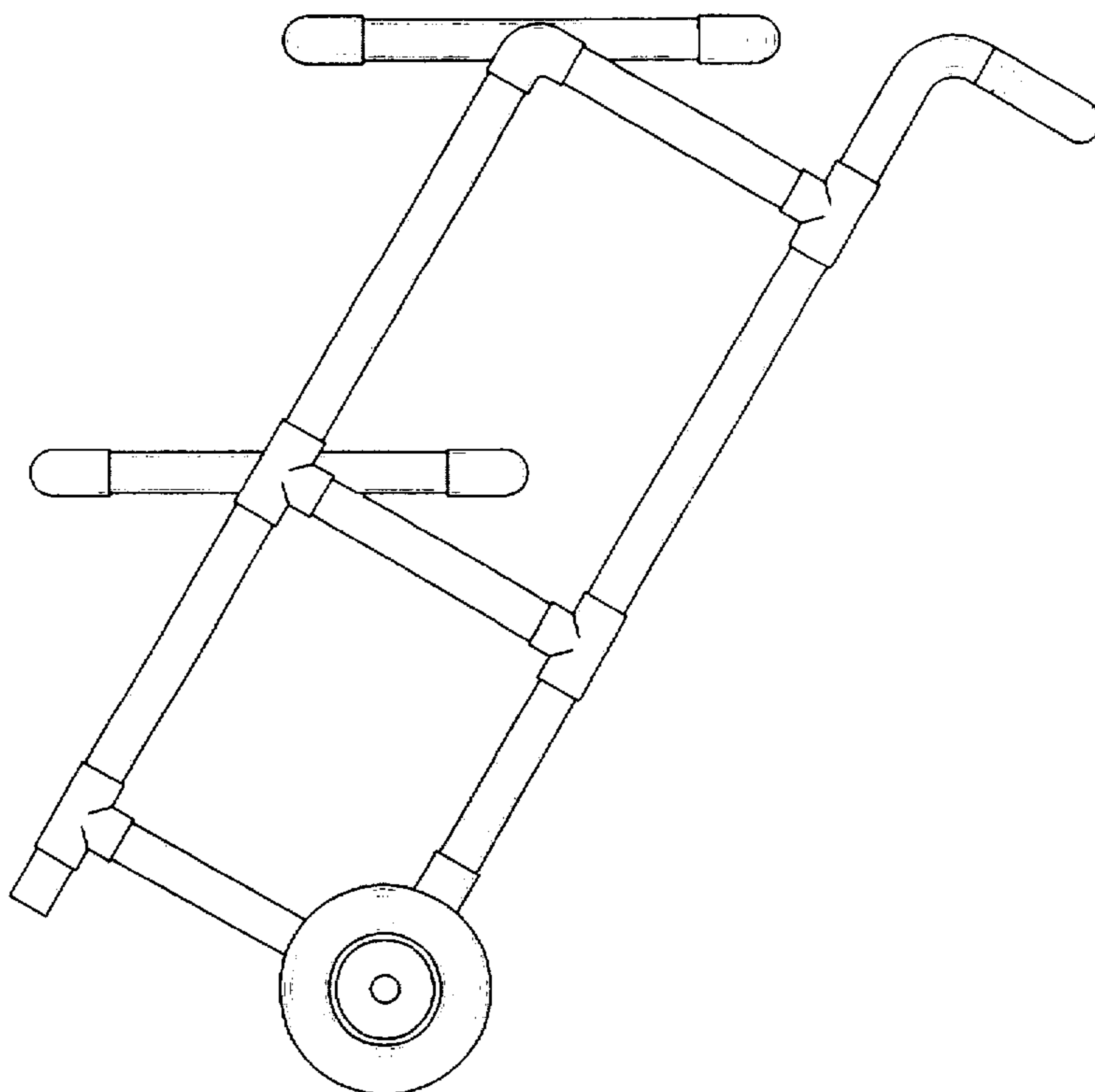


FIG. 5

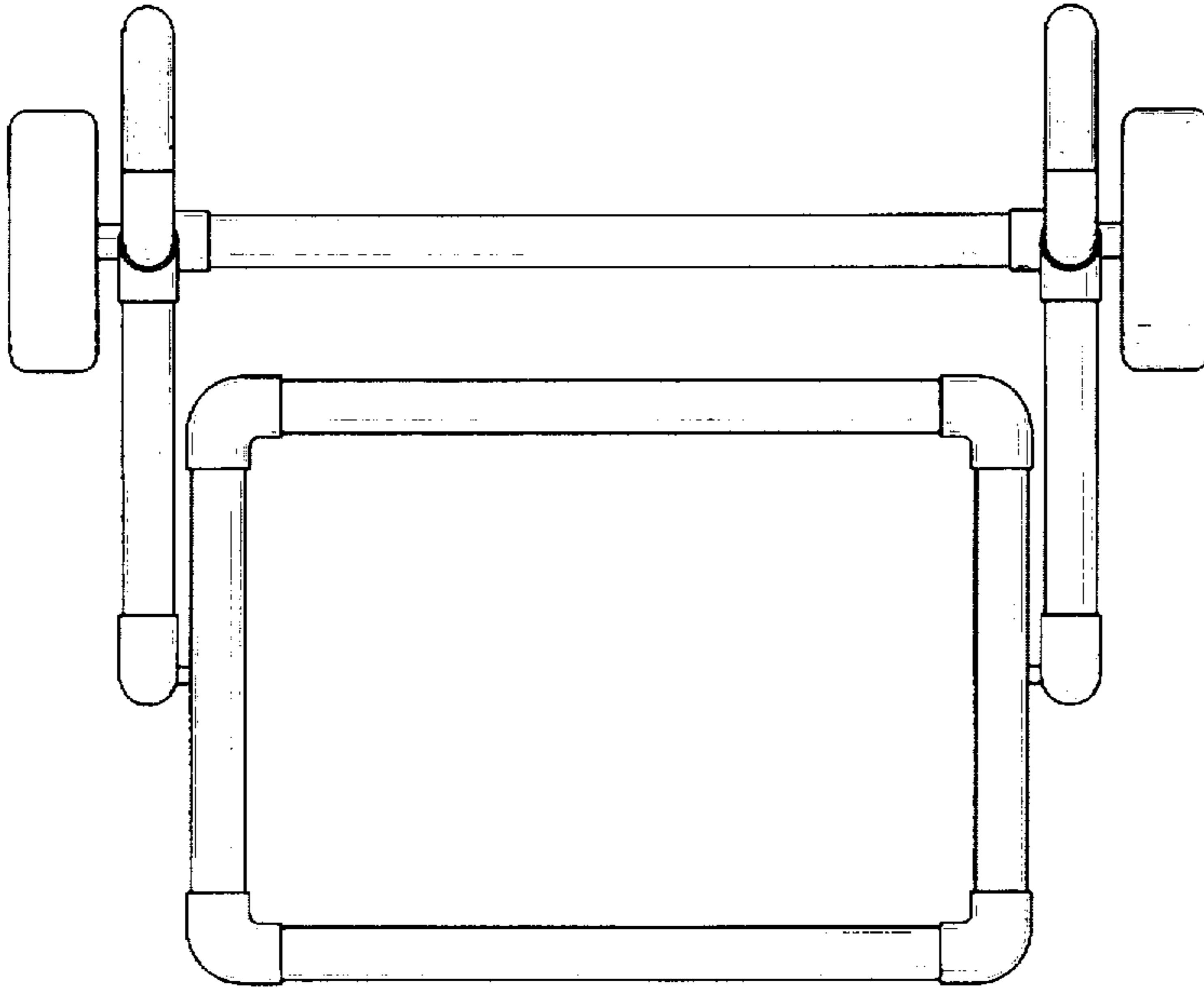


FIG. 6

