



US00D395109S

United States Patent [19]

Matzke

[11] Patent Number: **Des. 395,109**

[45] Date of Patent: ****Jun. 9, 1998**

[54] **DOLLY FOR TRANSPORTING MOTOR VEHICLES**

D. 316,384	4/1991	Teagarden	D12/94
4,245,945	1/1981	Rizzo	414/400
5,501,210	3/1996	Van Hoogmoed	296/181

[76] Inventor: **Ervin William Matzke**, 5511 Fairway Dr., NW, Rochester, Minn. 55901

FOREIGN PATENT DOCUMENTS

[**] Term: **14 Years**

8300033 1/1983 WIPO 296/181

[21] Appl. No.: **51,478**

Primary Examiner—Kay H. Chin

[22] Filed: **Mar. 11, 1996**

[57] CLAIM

Related U.S. Application Data

[63] Continuation-in-part of Ser. No. 39,415, May 30, 1995.

The ornamental design for a dolly for transporting motor vehicle, as shown and described.

[51] **LOC (6) Cl.** **12-02**

DESCRIPTION

[52] **U.S. Cl.** **D34/23**

[58] **Field of Search** D34/23, 31, 33; D12/14, 94; 296/181, 182, 158; 414/537, 333, 400, 349

FIG. 1 is a top plan view of a dolly for transporting motor vehicles showing my new design;

FIG. 2 is a side elevational view thereof, the opposite side elevational view being a mirror image of that shown;

FIG. 3 is a bottom plan view thereof; and,

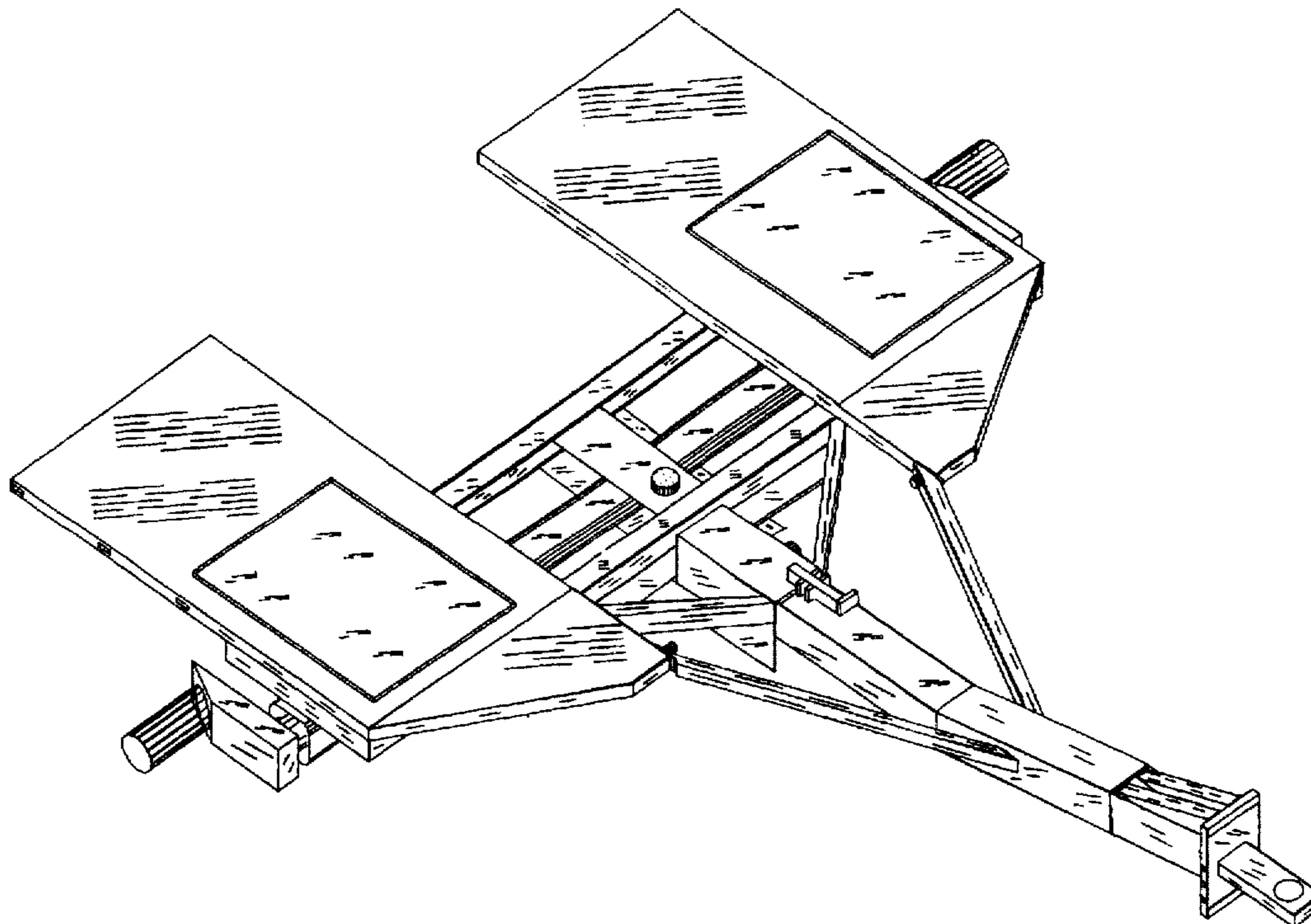
FIG. 4 is a top perspective view thereof.

[56] References Cited

U.S. PATENT DOCUMENTS

D. 239,707 4/1976 Grimaldo D12/94

1 Claim, 4 Drawing Sheets



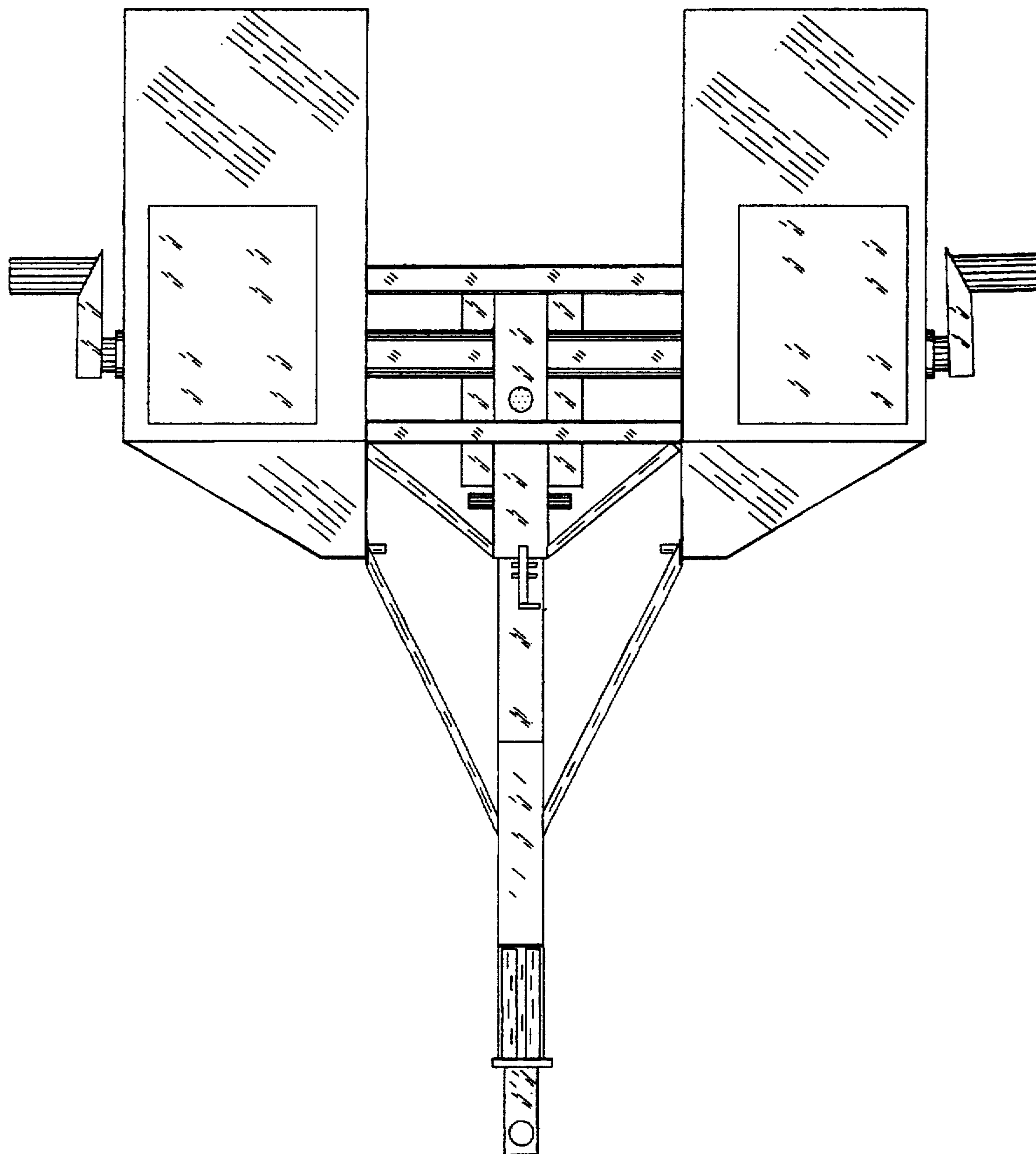


Fig. 1

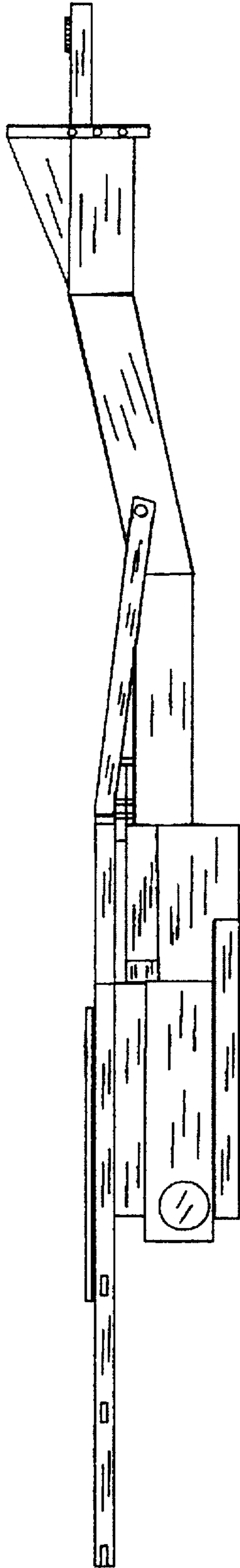


Fig. 2

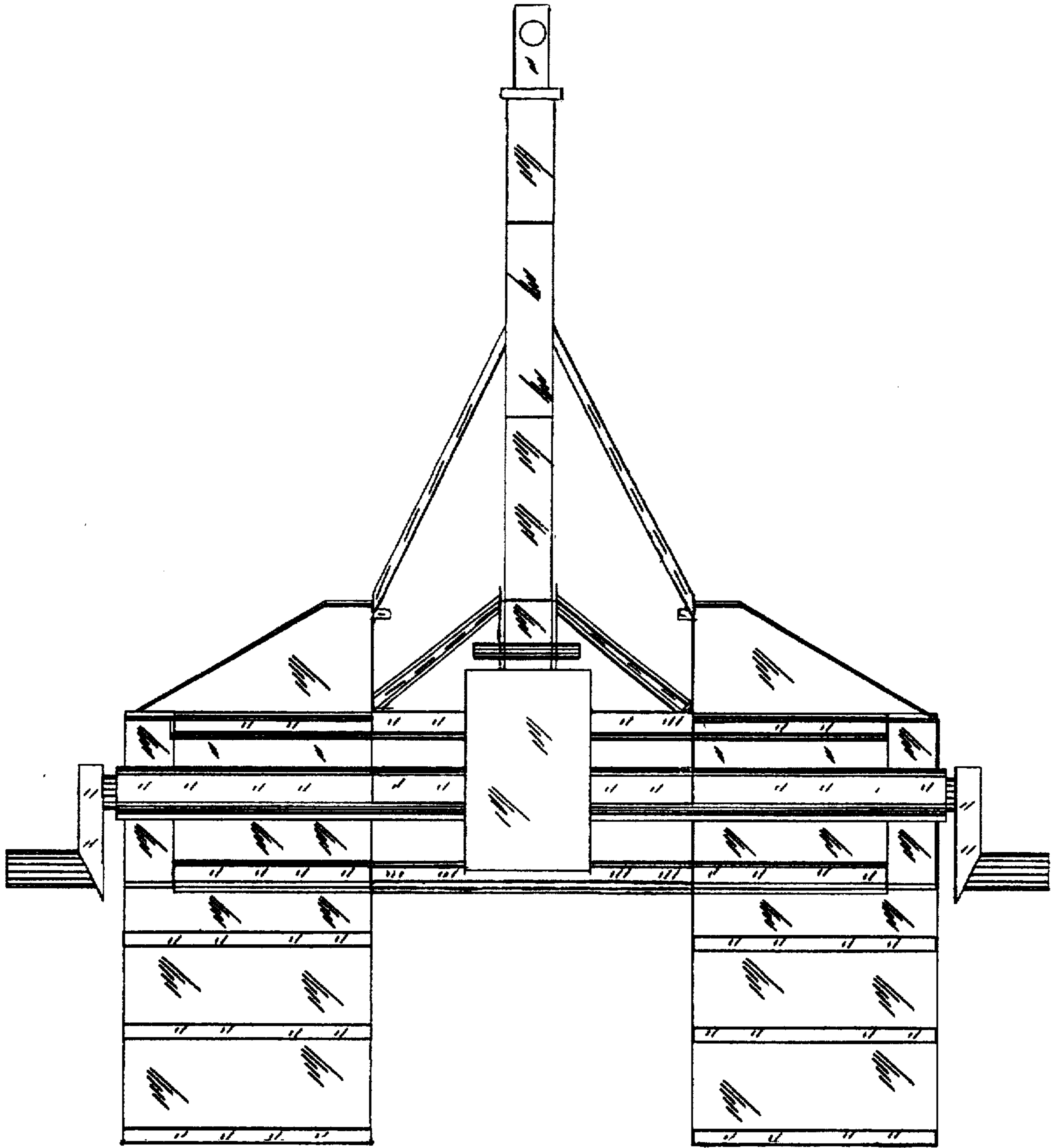


Fig. 3

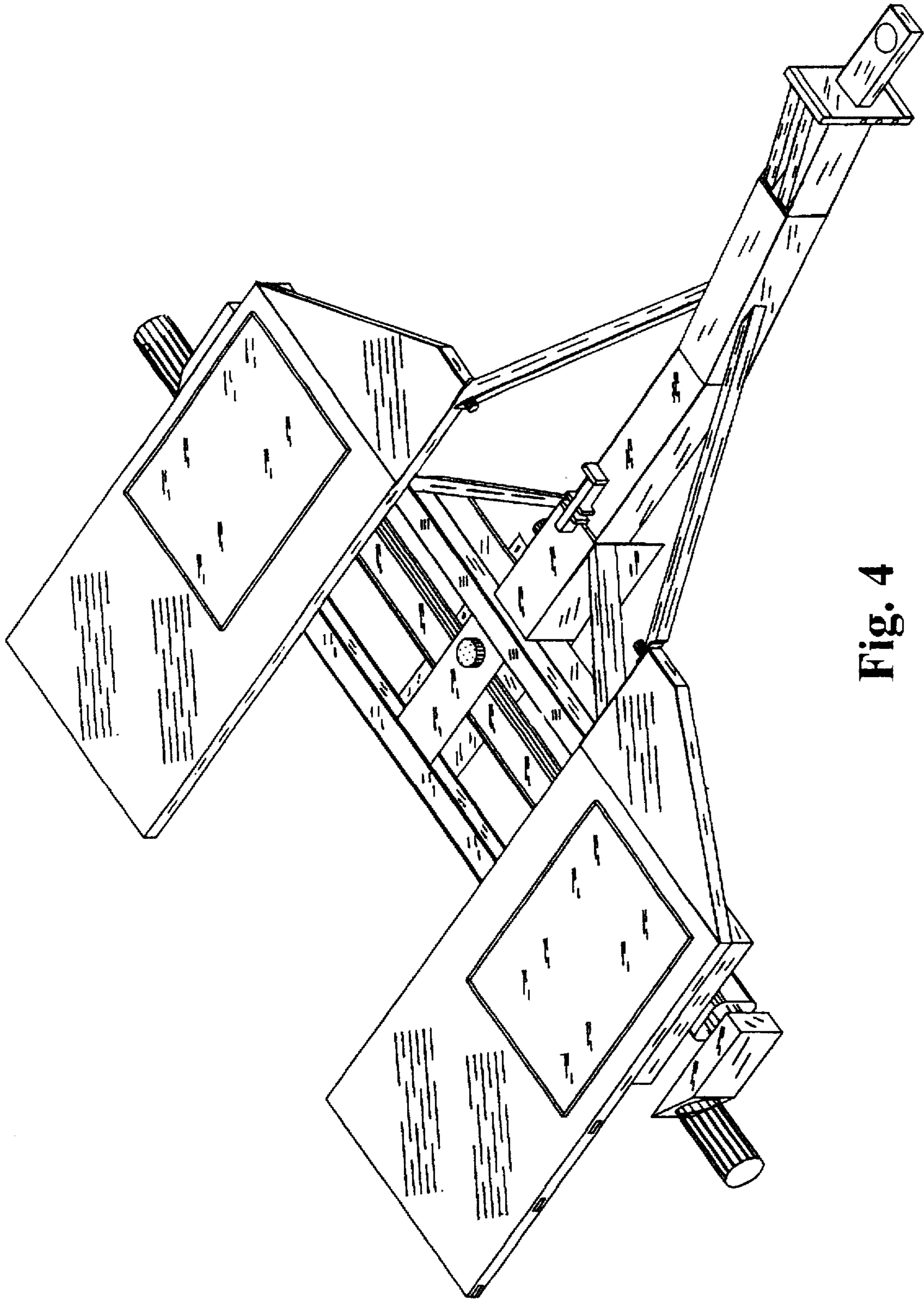


Fig. 4