



US00D395108S

United States Patent [19] Pool

[11] Patent Number: **Des. 395,108**

[45] Date of Patent: ****Jun. 9, 1998**

[54] **UTILITY CART**

[76] Inventor: **L. Frank Pool**, 6319 SE. Carlton St.,
Portland, Oreg. 97206

[**] Term: **14 Years**

[21] Appl. No.: **56,571**

[22] Filed: **Jul. 2, 1996**

[51] LOC (6) Cl. **12-02**

[52] U.S. Cl. **D34/21; D34/25**

[58] Field of Search **D34/12-27; 280/47.34,
280/47.35, 79.3; 312/209, 249.8; D6/436,
462, 430, 445, 446, 447**

[56] **References Cited**

U.S. PATENT DOCUMENTS

- D. 355,517 2/1995 Campbell et al. D34/20
- D. 374,532 10/1996 Pool D34/25
- 4,652,062 3/1987 Greenwood 280/47.35 X
- 4,875,696 10/1989 Welch et al. 280/47.34

Primary Examiner—**Kay H. Chin**

Attorney, Agent, or Firm—**Kolisch, Hartwell, Dickinson,
McCormack & Heuser**

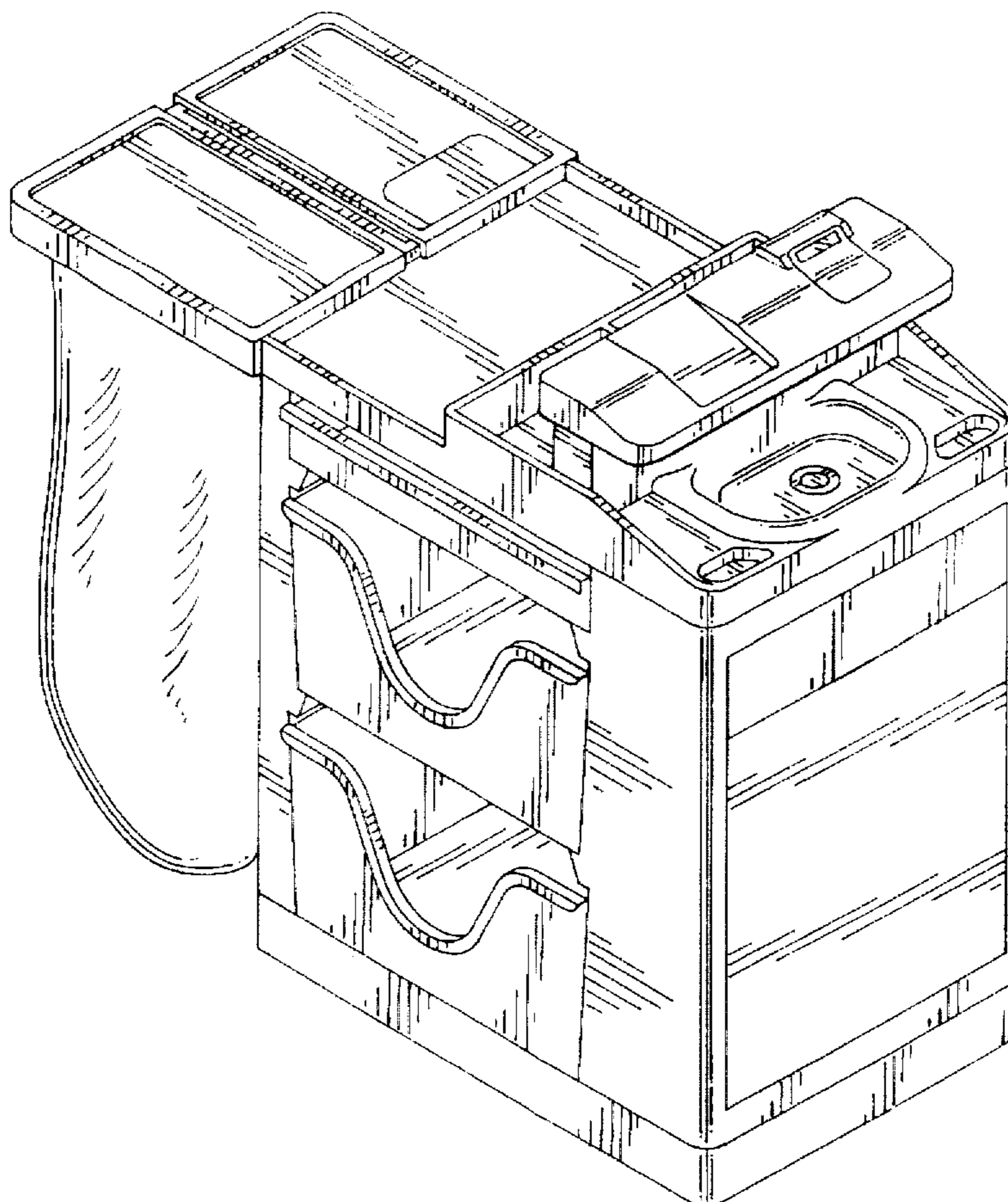
[57] **CLAIM**

The ornamental design for a utility cart, as shown.

DESCRIPTION

FIG. 1 is a left-side elevation of the preferred embodiment of the design of the present invention;
 FIG. 2 is a front elevation of the preferred embodiment of the design of the present invention;
 FIG. 3 is a rear elevation of the preferred embodiment of the design of the present invention;
 FIG. 4 is a top plan view of the preferred embodiment of the design of the present invention;
 FIG. 5 is a bottom plan view of the preferred embodiment of the design of the present invention;
 FIG. 6 is a right-side elevation of the preferred embodiment of the design of the present invention; and,
 FIG. 7 is a perspective view of the preferred embodiment of the design of the present invention.

1 Claim, 4 Drawing Sheets



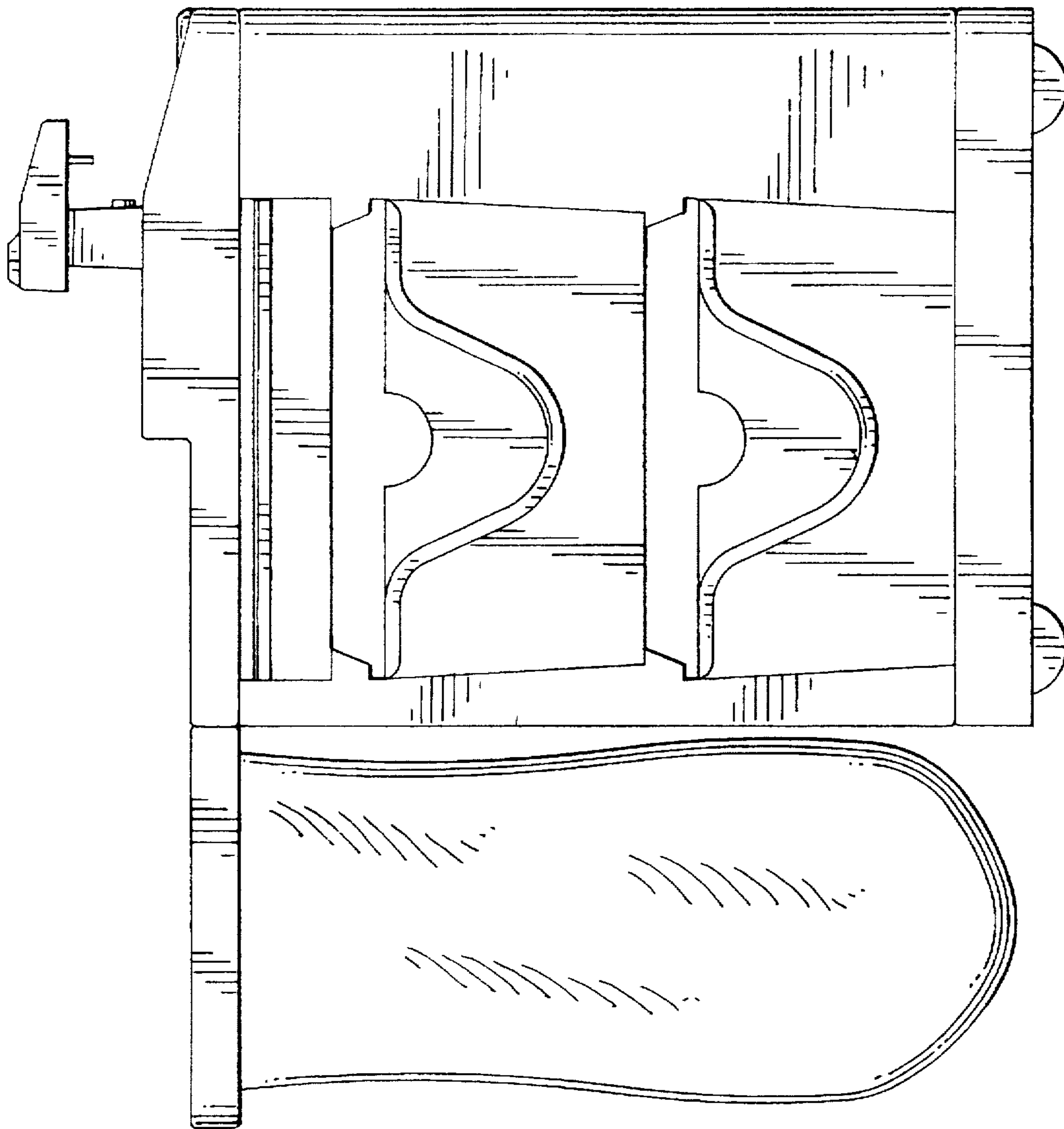


FIG. 1

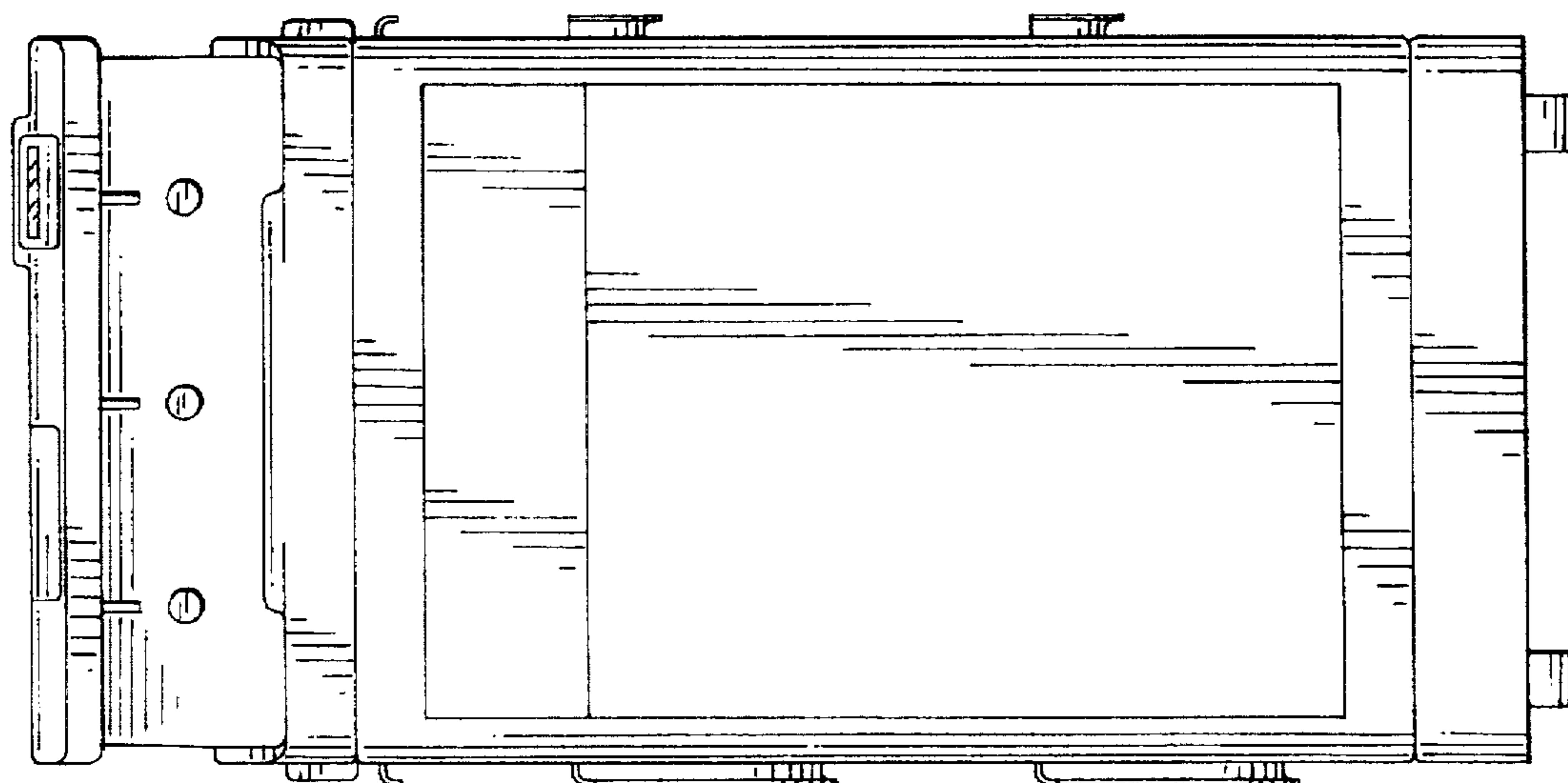


FIG. 2

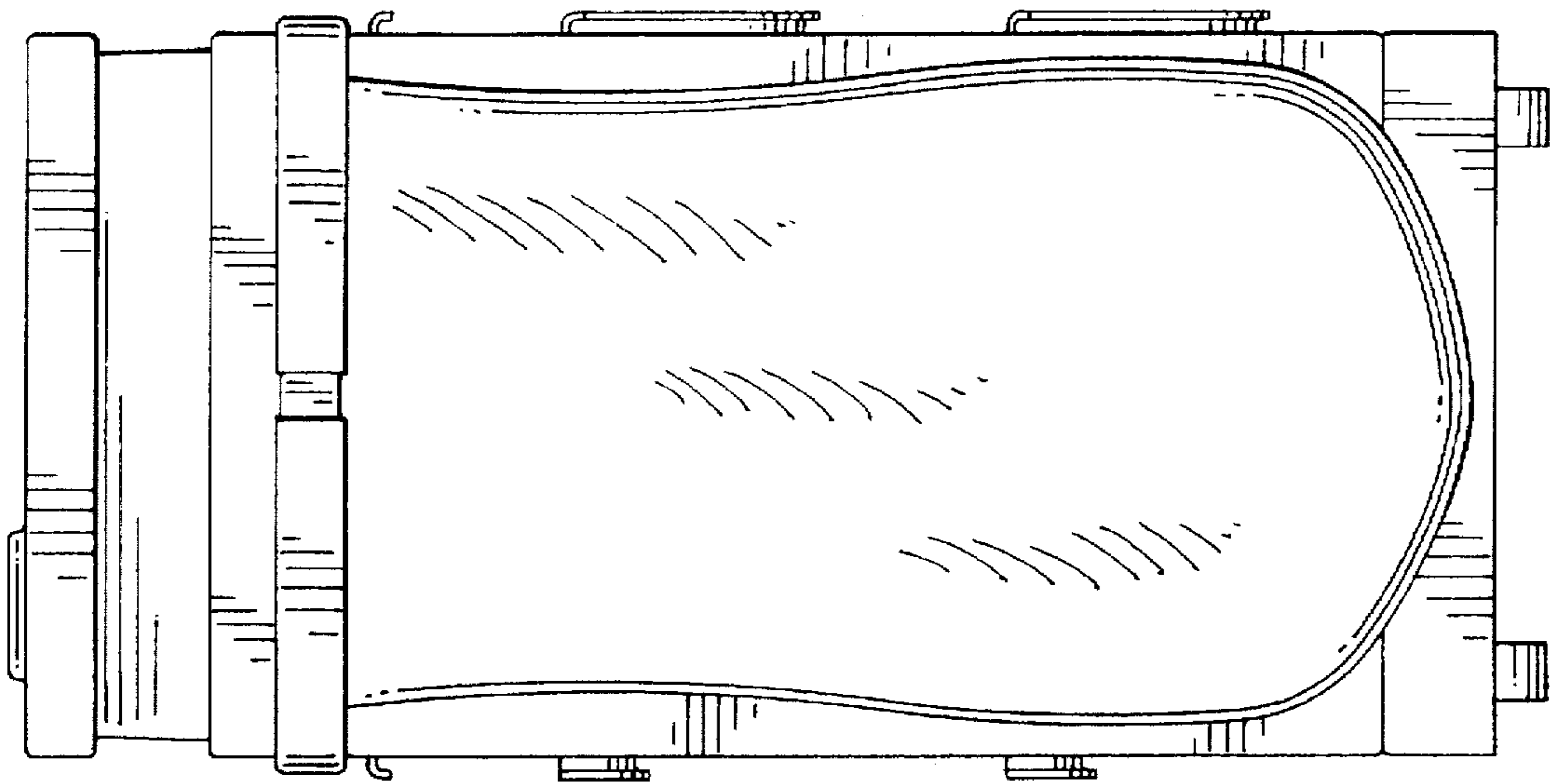


FIG. 3

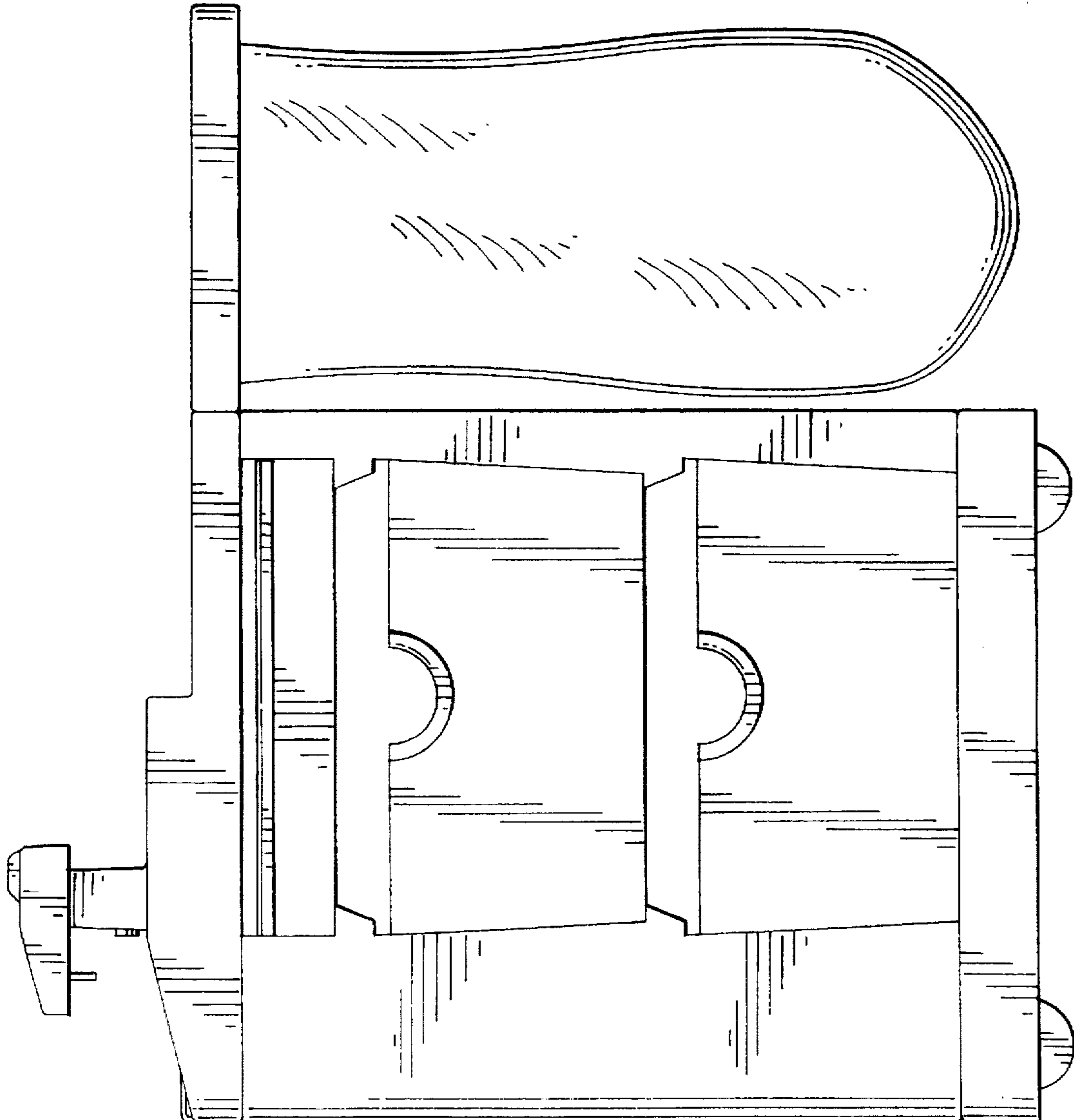


FIG. 6

FIG.4

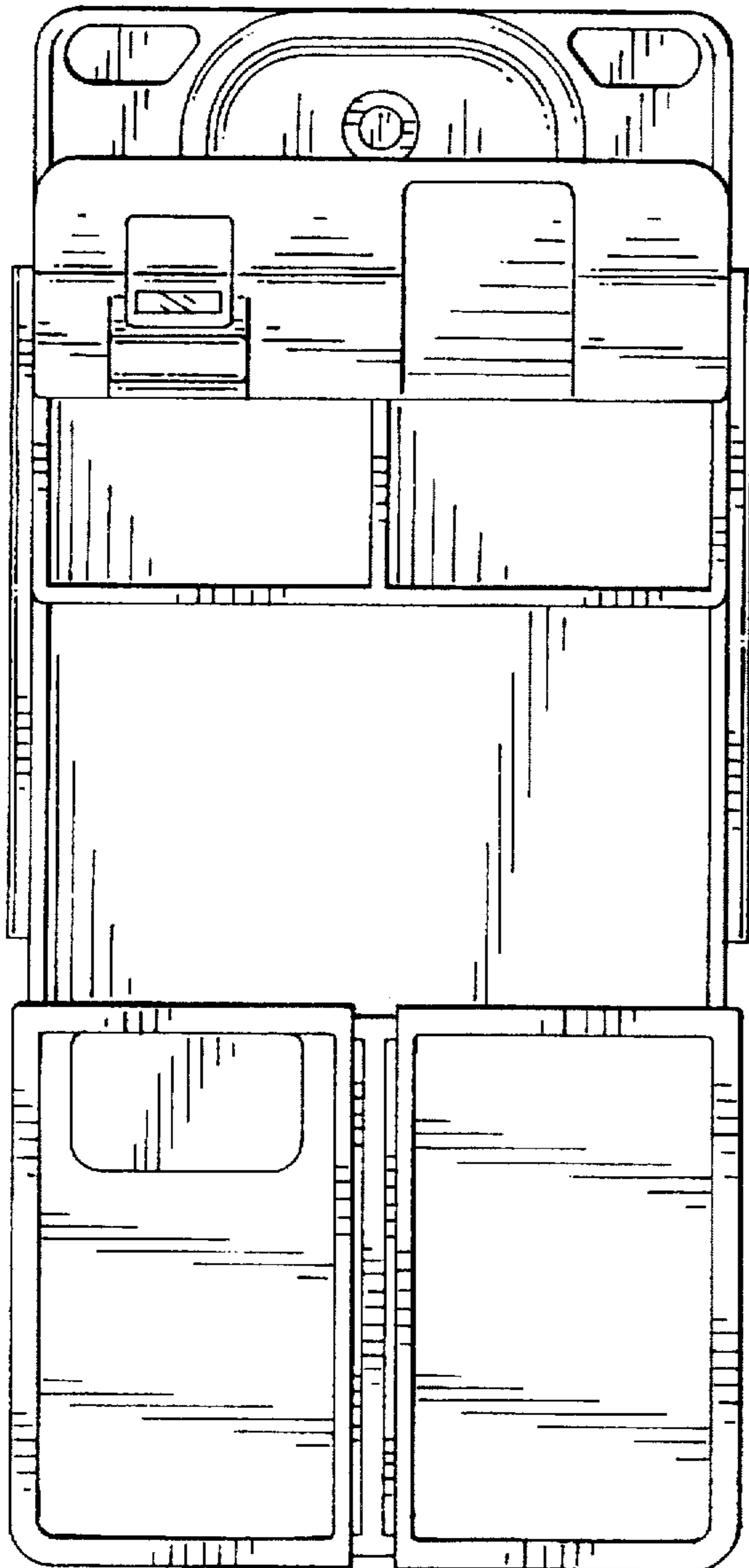
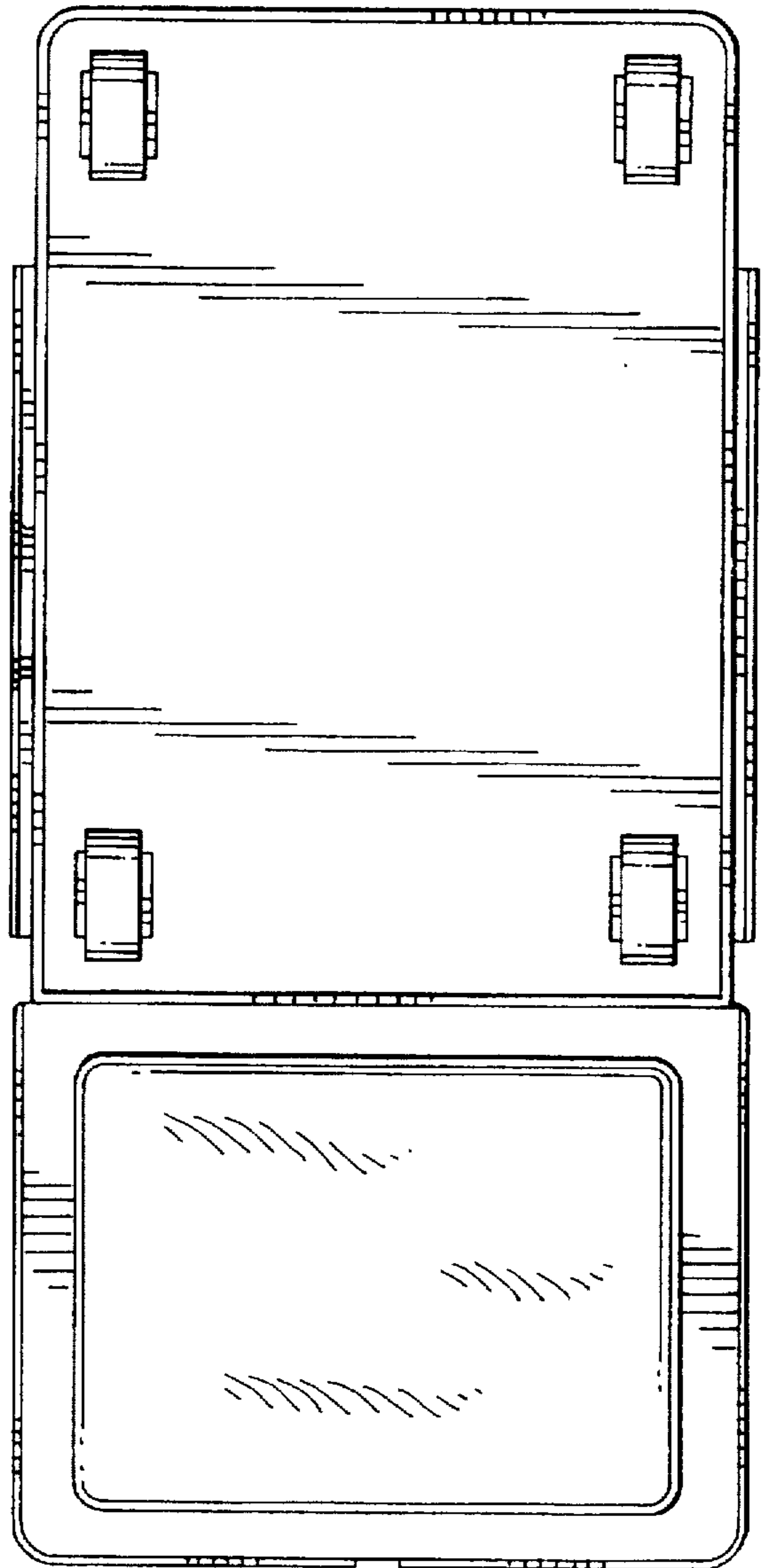


FIG.5



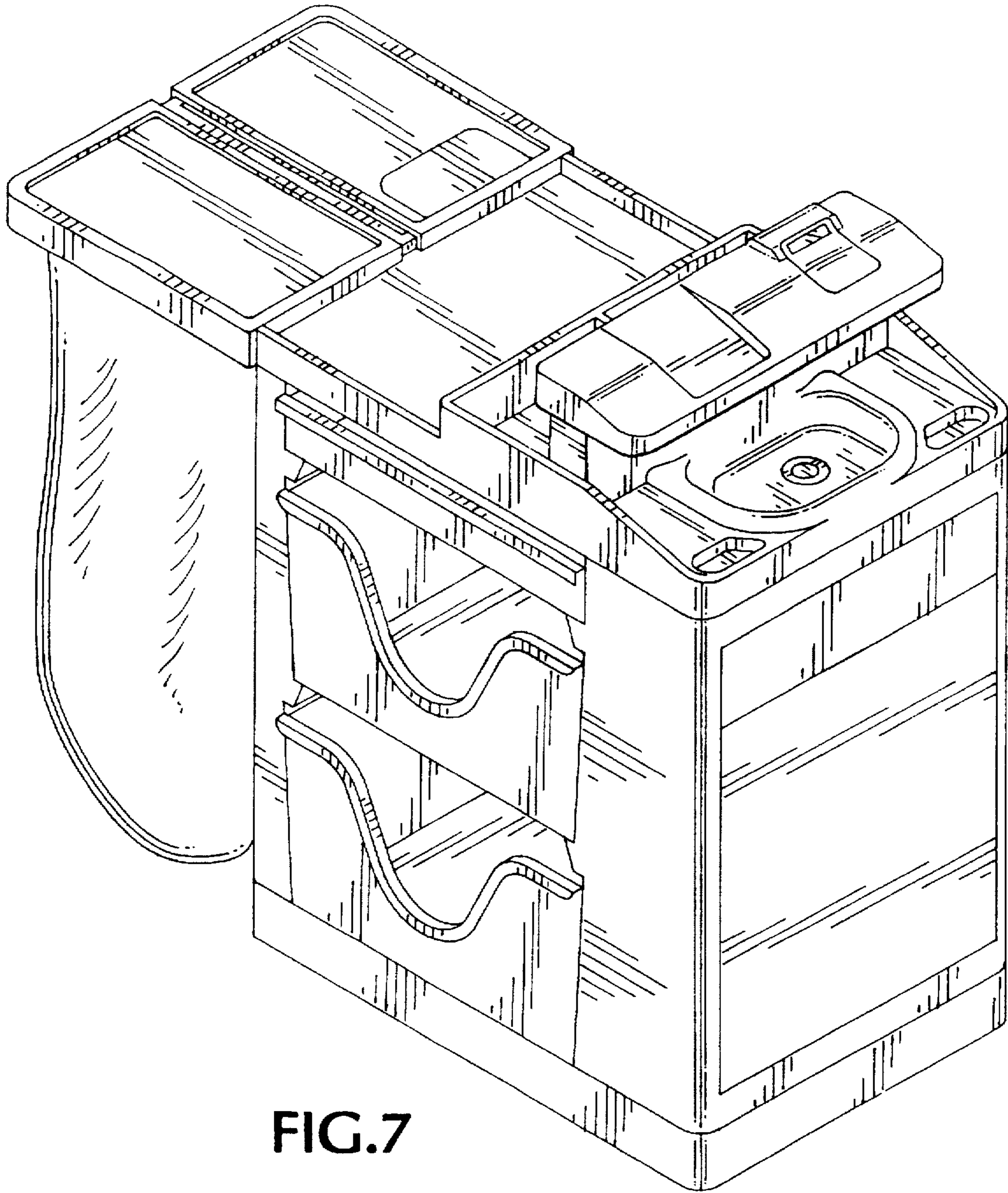


FIG. 7