



US00D395107S

United States Patent [19]

Kushner et al.

[11] Patent Number: **Des. 395,107**

[45] Date of Patent: ****Jun. 9, 1998**

[54] **WALKING CART**

[75] Inventors: **Philip Marshall Kushner**, Greve Strand; **Marianne Lehmann**, Copenhagen, both of Denmark

[73] Assignee: **INTERLEGO AG**, Baar, Switzerland

[**] Term: **14 Years**

[21] Appl. No.: **59,849**

[22] Filed: **Sep. 17, 1996**

[51] **LOC (6) Cl.** **12-02**

[52] **U.S. Cl.** **D34/17**

[58] **Field of Search** 280/47.19, 47.26, 280/47.31, 47.34, 79.11, 47.18, 47.12, 42, 652, 30

[56] **References Cited**

U.S. PATENT DOCUMENTS

D. 240,413	7/1976	Swalm	D34/21
D. 330,103	10/1992	Andrews, Jr. et al.	D34/20
D. 357,783	4/1995	Jones	D34/24 X
D. 365,785	1/1996	Sawyer	D34/19 X

D. 379,016	4/1997	Wilson	D34/24
4,452,468	6/1984	Eads et al.	280/641
4,632,412	12/1986	Nasgowitz	280/47.26
5,403,022	4/1995	Snider	280/30

Primary Examiner—Susan J. Lucas
Assistant Examiner—Cynthia E. Ramirez
Attorney, Agent, or Firm—Kane, Dalsimer, Sullivan, Kurucz, Levy, Eisele and Richard, LLP

[57] **CLAIM**

The ornamental design for a walking cart, as shown and described.

DESCRIPTION

FIG. 1 is a top perspective view of the walking cart; FIG. 2 is a bottom perspective view thereof; FIG. 3 is a front elevational view thereof; FIG. 4 is a side elevational view thereof, the other side being identical; FIG. 5 is a rear elevational view thereof; FIG. 6 is a bottom plan view thereof; and, FIG. 7 is a top plan view thereof.

1 Claim, 4 Drawing Sheets

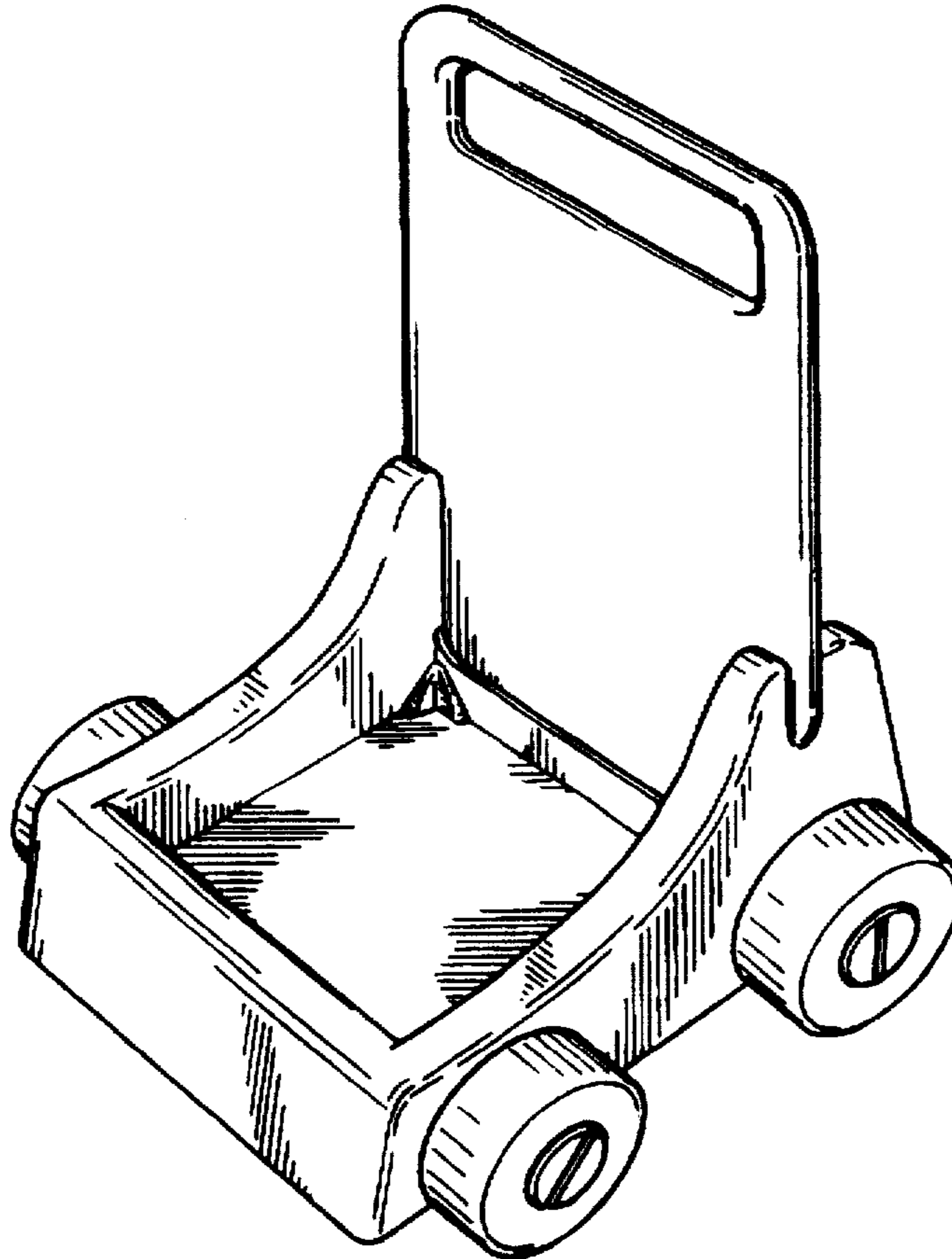


FIG. 1

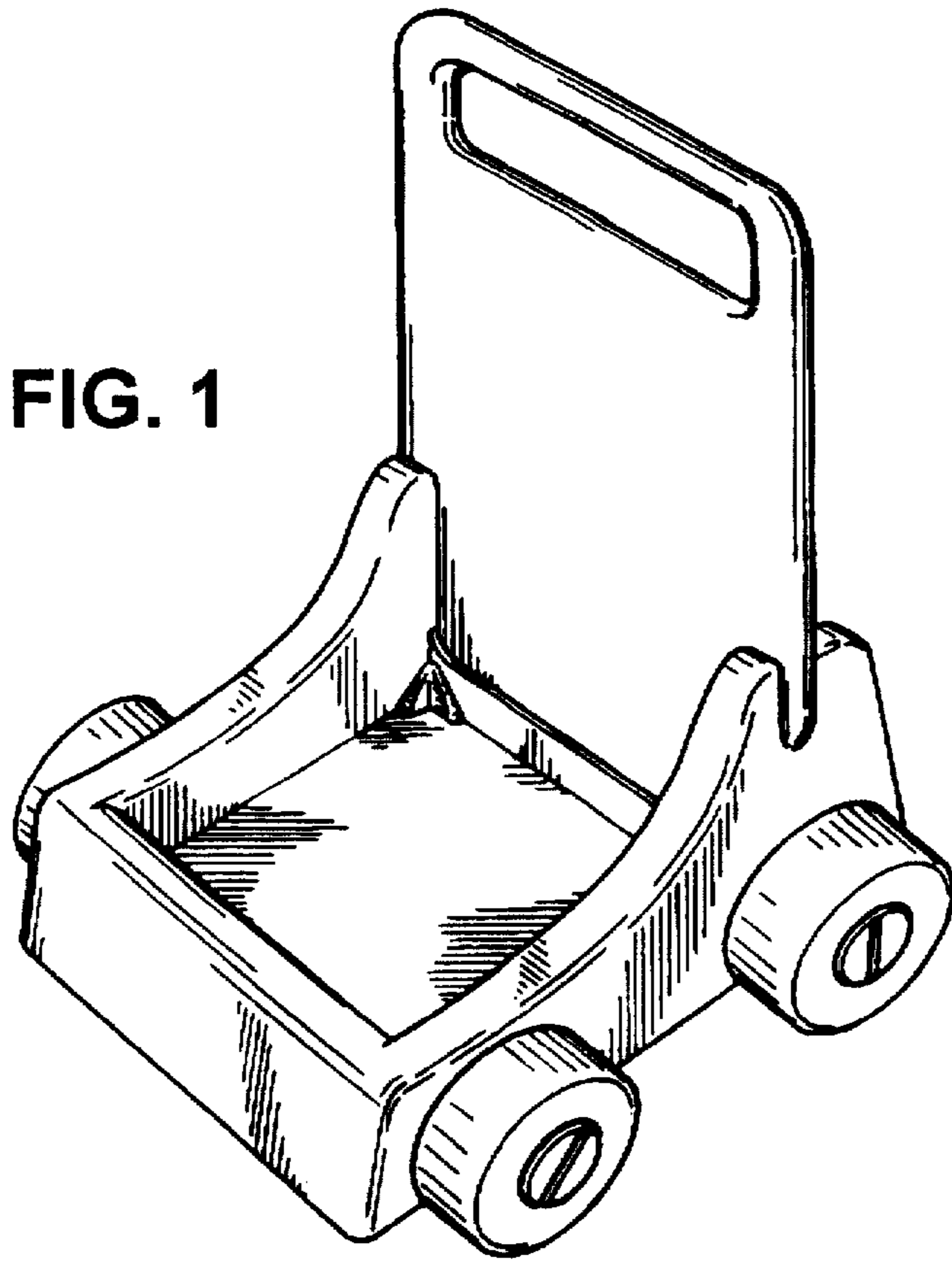
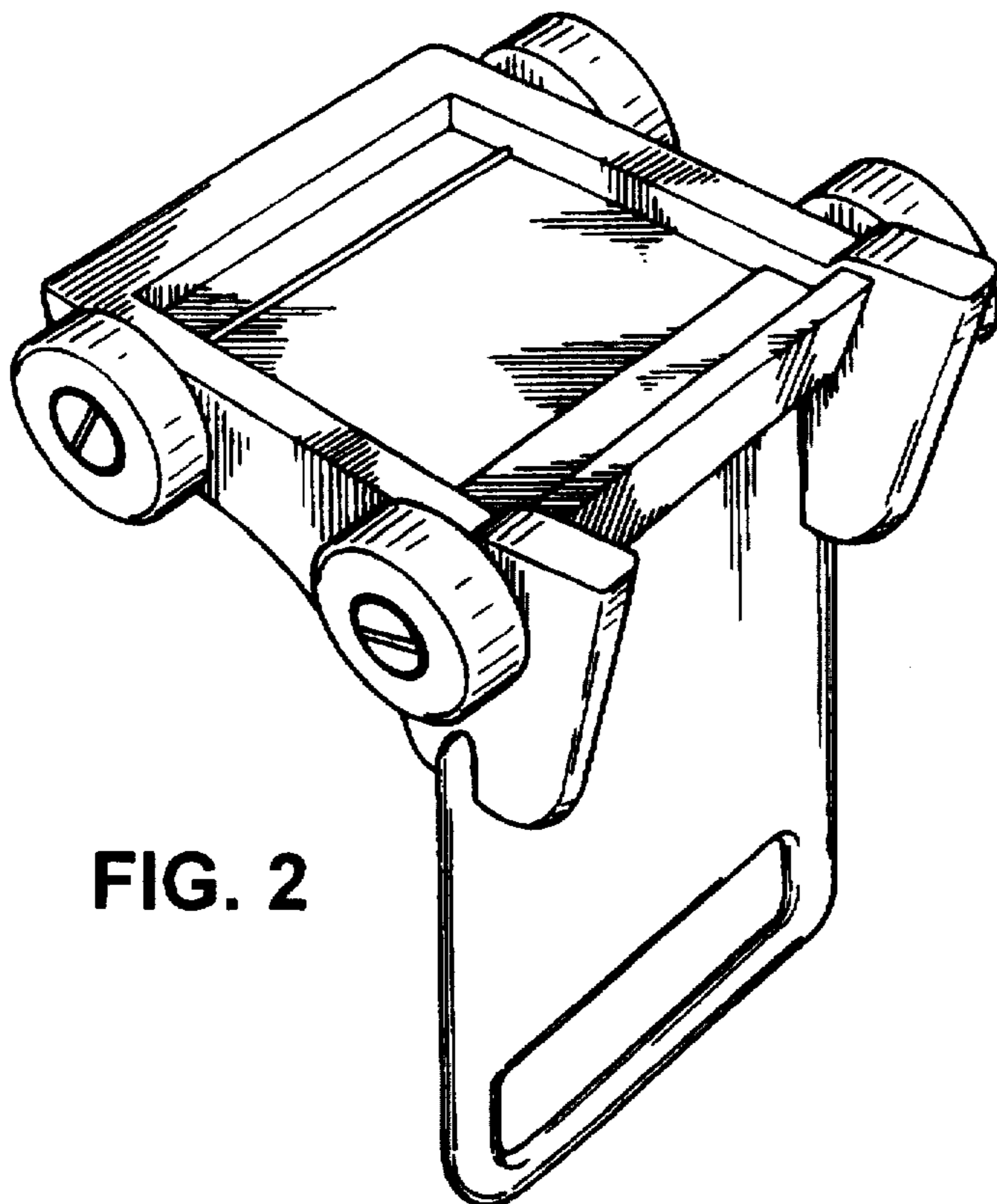


FIG. 2



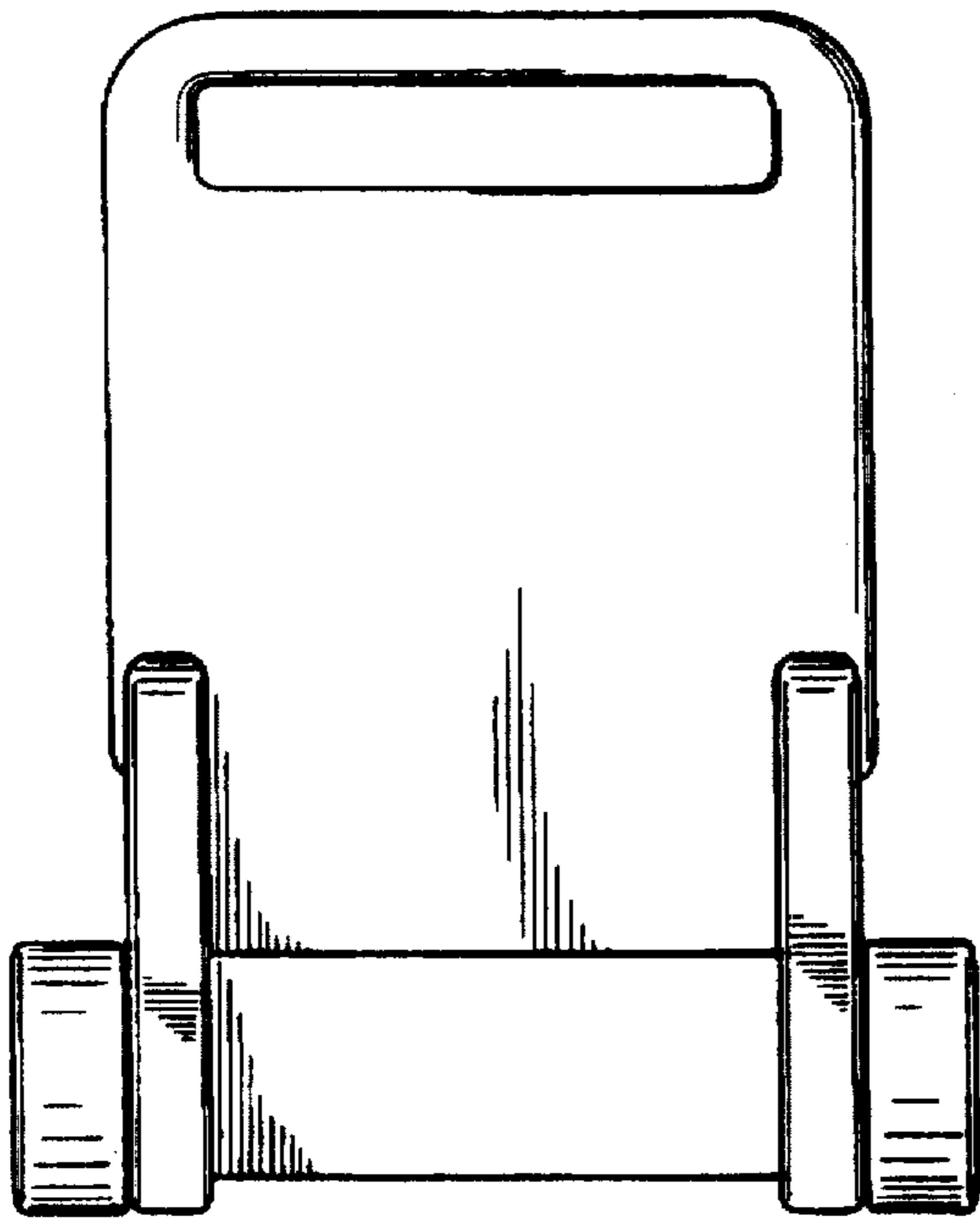


FIG. 5

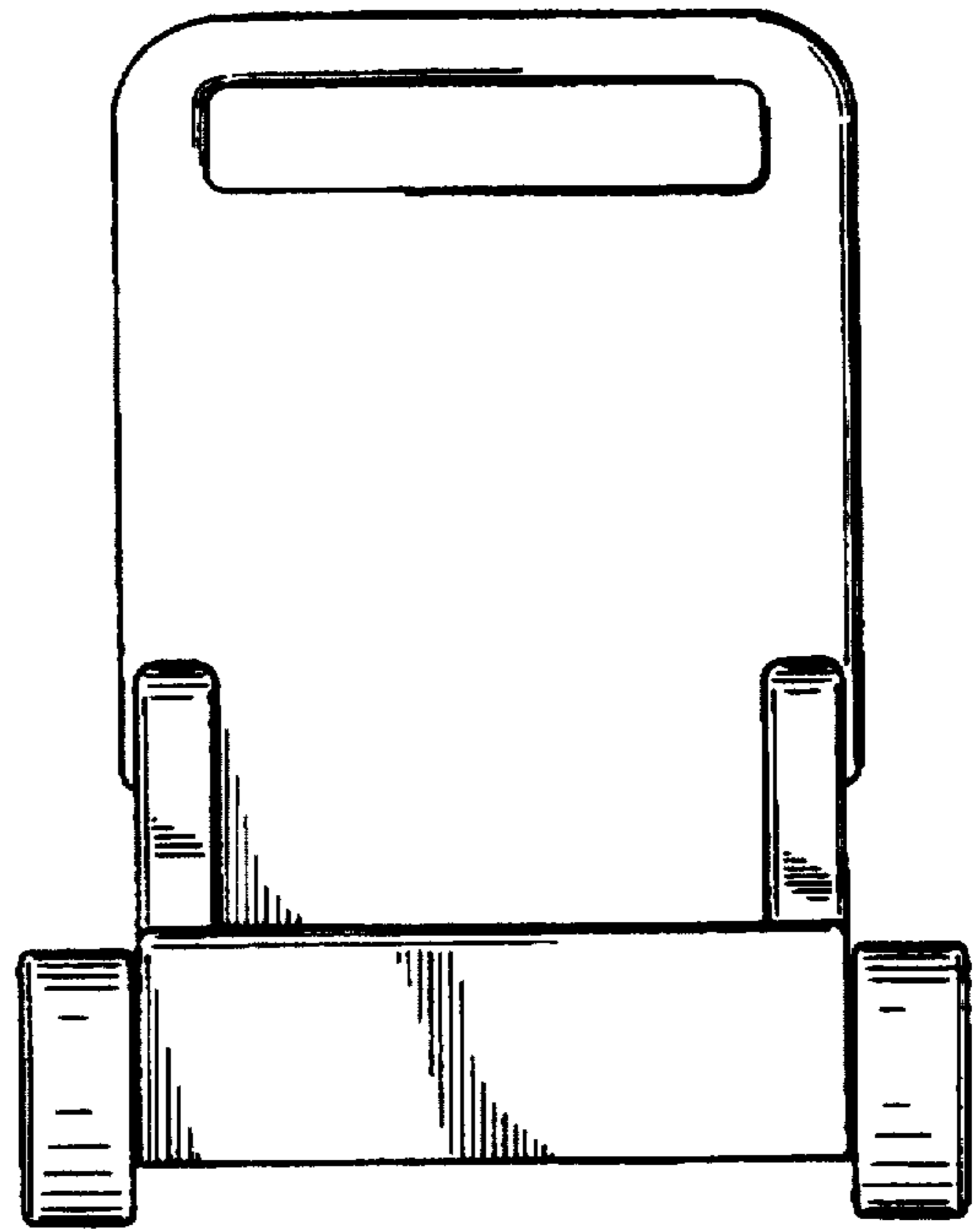


FIG. 3

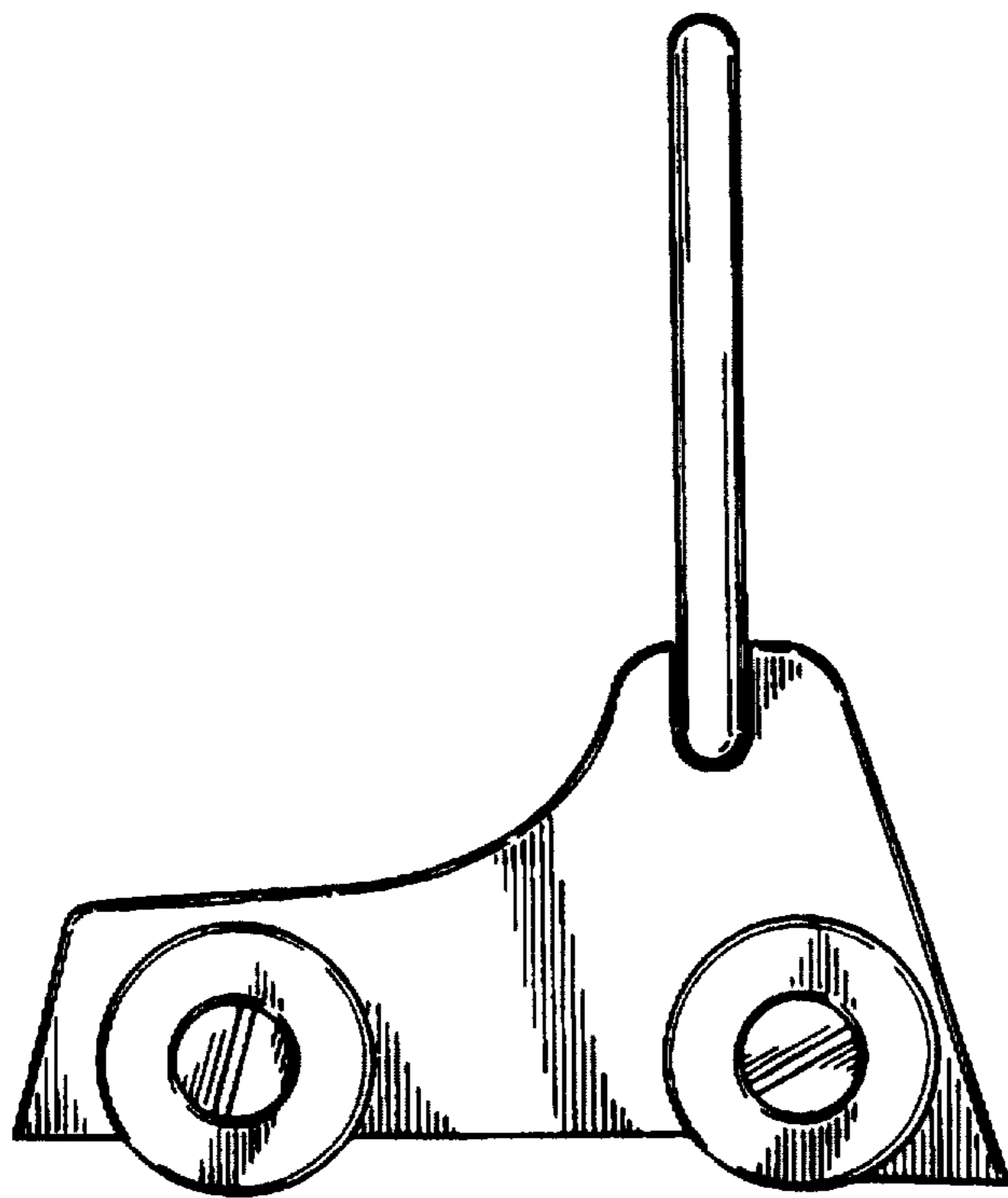


FIG. 4

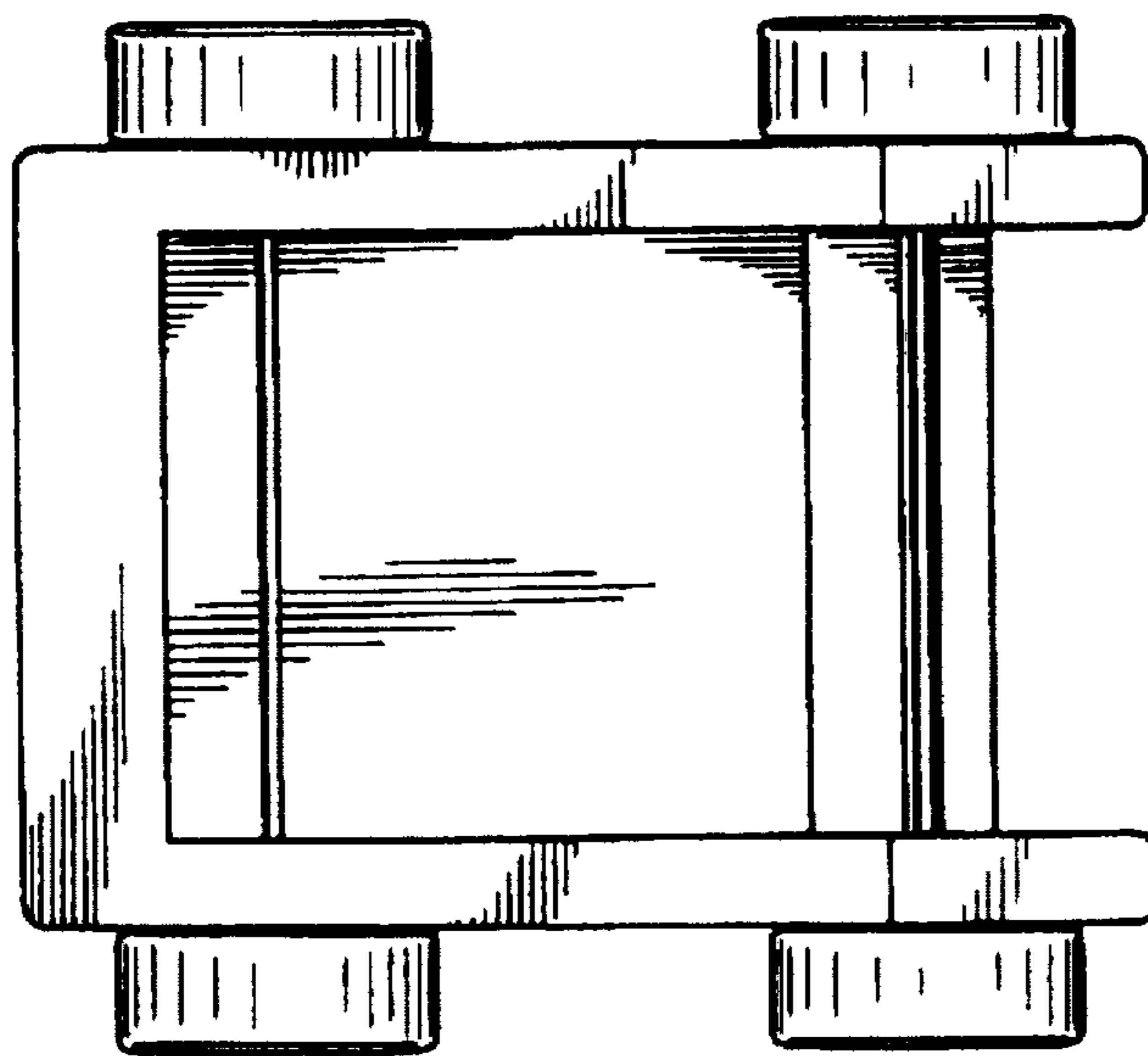


FIG. 6

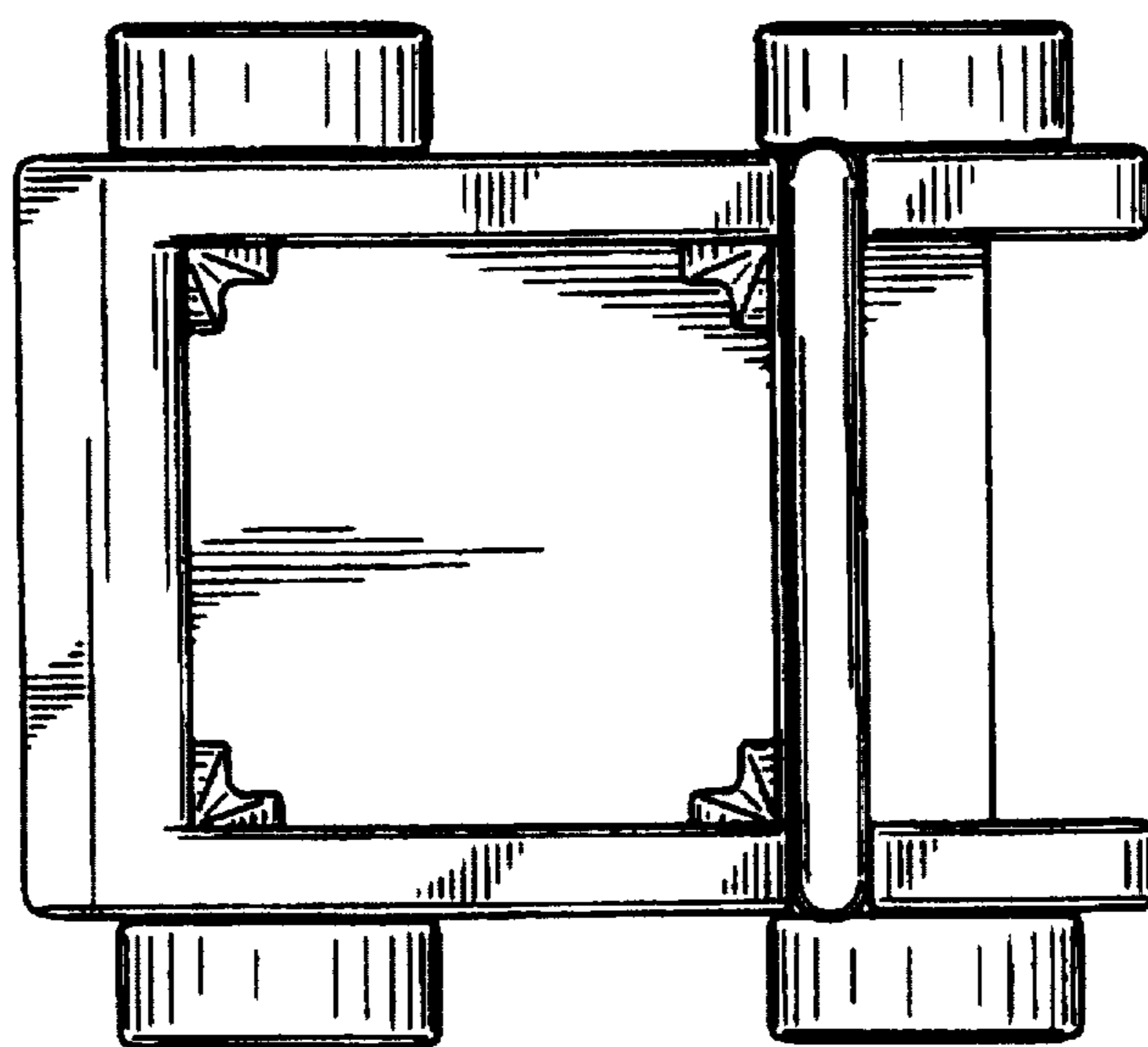


FIG. 7