



US00D395103S

United States Patent [19]
White, III

[11] **Patent Number:** **Des. 395,103**
[45] **Date of Patent:** ****Jun. 9, 1998**

[54] **HEAVY DUTY METAL ICE BREAKER**

5,435,063 7/1995 Russo 30/164.5

[76] **Inventor:** **Charles L. White, III**, 565 Lincoln Ave., Pottstown, Pa. 19464

Primary Examiner—Alan P. Douglas
Assistant Examiner—Lavone D. Tabor

[**] **Term:** **14 Years**

[57] **CLAIM**

[21] **Appl. No.:** **62,552**

The ornamental design for a heavy duty metal ice breaker, as shown and described.

[22] **Filed:** **Nov. 18, 1996**

DESCRIPTION

[51] **LOC (6) Cl.** **08-05**

[52] **U.S. Cl.** **D32/49**

[58] **Field of Search** D8/1, 7, 11, 14, D8/16; D7/671; D32/40, 41, 46, 48, 49; 15/143.1, 236.01, 236.02, 236.04, 236.07, 236.08; 30/164.5-164.8, 167, 169, 171, 340, 342, 344; 37/264-266, 278, 284, 285; 294/49, 54.5, 55

FIG. 1 is a front view of the heavy duty metal ice breaker of the present invention;

FIG. 2 is a rear view of the heavy duty metal ice breaker of FIG. 1;

FIG. 3 is a left side view of the heavy duty metal ice breaker of FIG. 1;

FIG. 4 is a right side view of the heavy duty metal ice breaker of FIG. 1;

FIG. 5 is a top plan view of the heavy duty metal ice breaker of FIG. 1; and,

FIG. 6 is a bottom plan view of the heavy duty metal ice breaker of FIG. 1.

The handle is shown broken away in the views to indicate indeterminate length.

[56] **References Cited**

U.S. PATENT DOCUMENTS

D. 261,721	11/1981	Oerlemans	D8/10
D. 310,590	9/1990	Williams, Jr.	D32/49
2,535,253	12/1950	Anderson	15/236.02 X
2,800,089	7/1957	Seils	294/49
5,040,614	8/1991	Nash	172/371 X

1 Claim, 3 Drawing Sheets

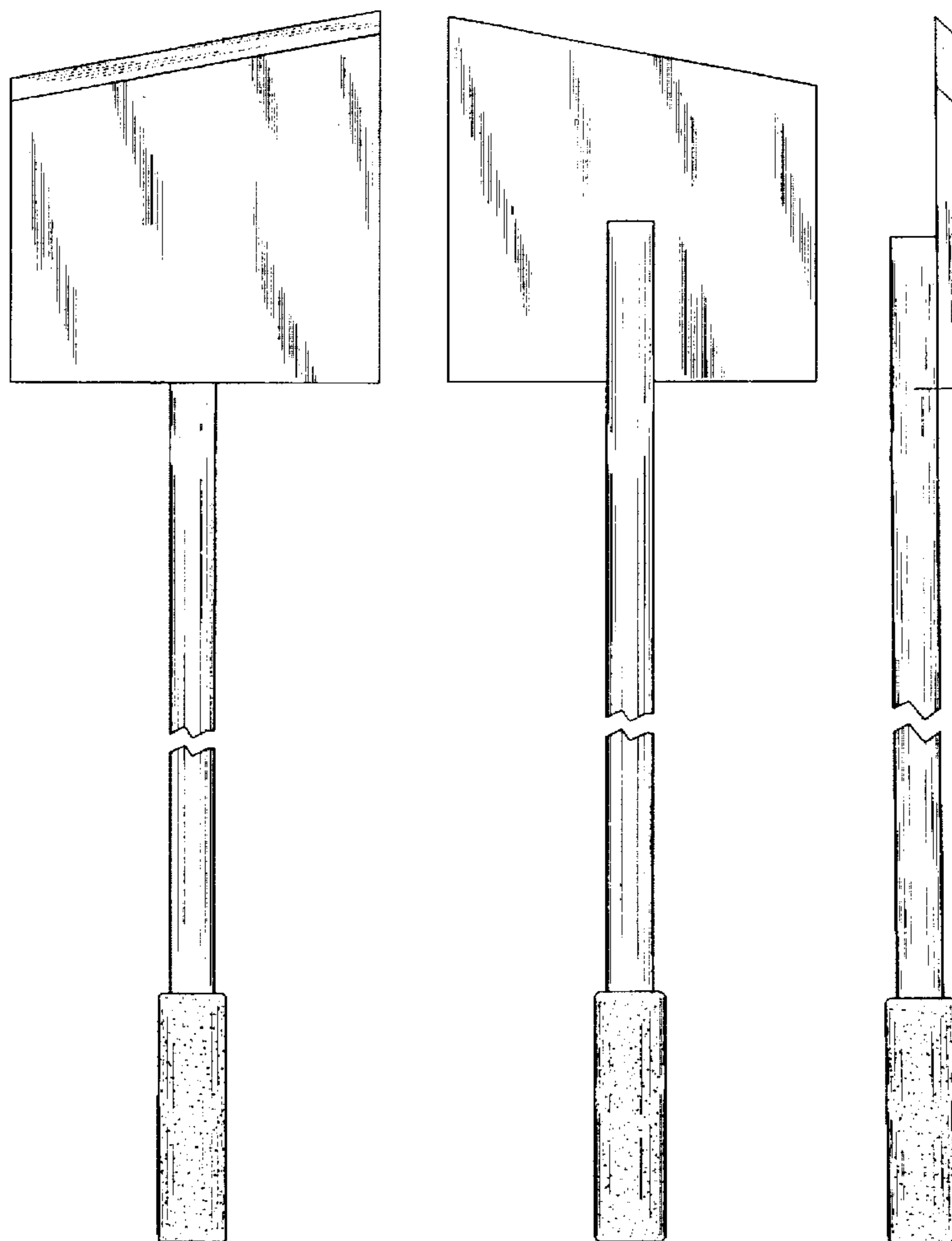


FIG. 1

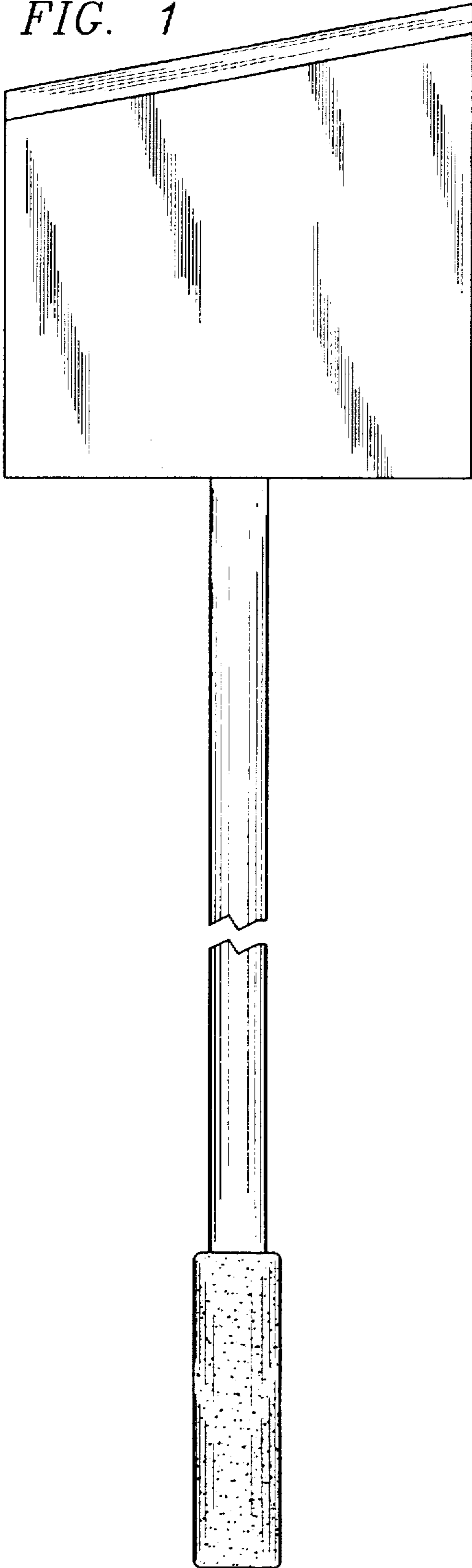


FIG. 2

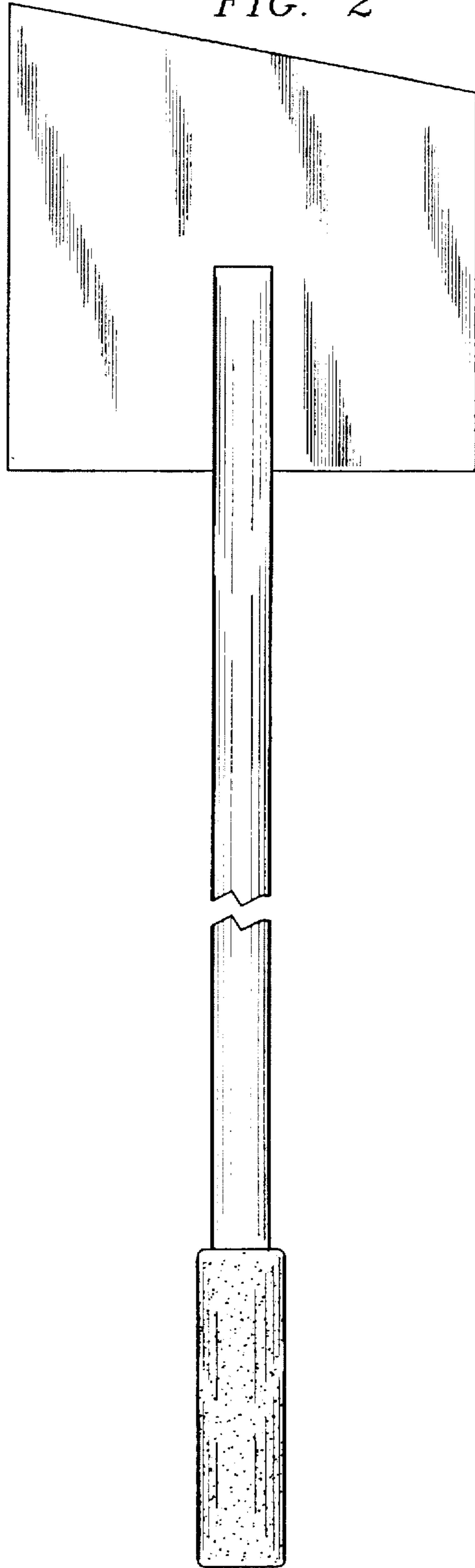


FIG. 3

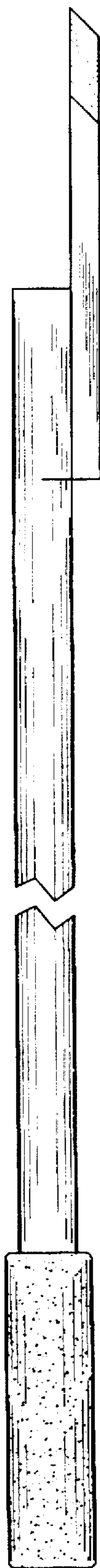


FIG. 4

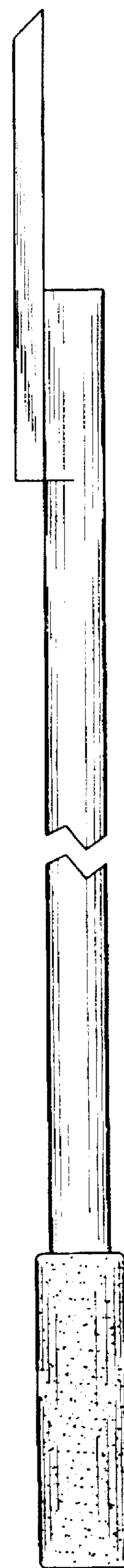


FIG. 5

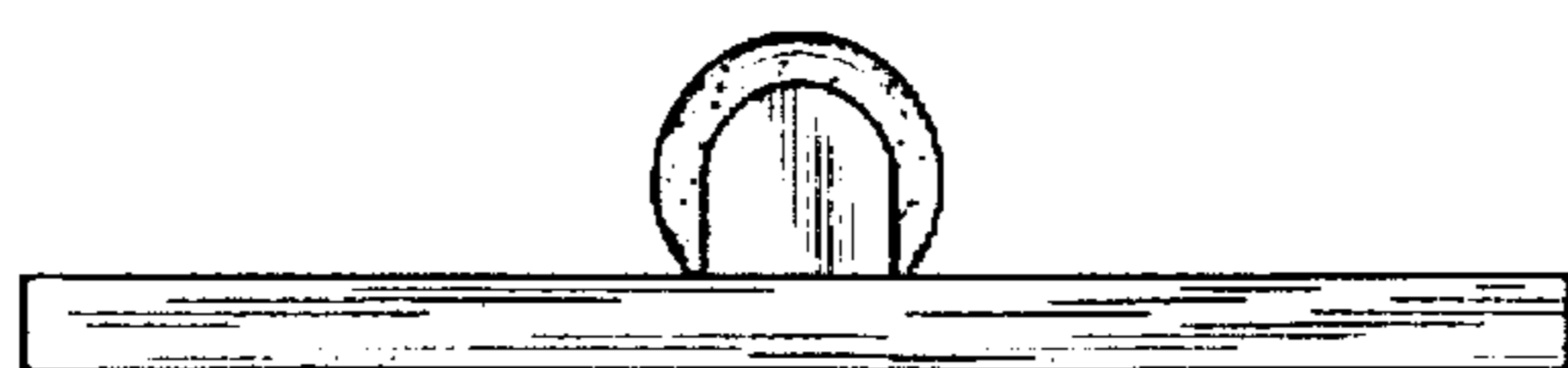


FIG. 6

