



US00D395101S

**United States Patent** [19]  
**Paci**

[11] **Patent Number:** **Des. 395,101**  
[45] **Date of Patent:** **\*\*Jun. 9, 1998**

[54] **CAT CARRIER**  
[76] **Inventor:** **Philip R. Paci, 57 Longview Cir., Berwyn, Pa. 19312**  
[\*\*] **Term:** **14 Years**

4,768,085 8/1988 Ondrasik ..... 119/474  
5,016,570 5/1991 Henson ..... 119/497  
5,522,344 6/1996 Deurjian ..... 119/474  
5,572,953 11/1996 Phelan et al. .... 119/496  
5,596,950 1/1997 Briggs et al. .... 119/489

**FOREIGN PATENT DOCUMENTS**

[21] **Appl. No.:** **68,984**  
[22] **Filed:** **Apr. 24, 1997**

264439 4/1978 Germany ..... 119/474  
617344 2/1961 Italy ..... 119/490  
404144623 5/1992 Japan ..... 119/474

[51] **LOC (6) Cl.** ..... **30-02**  
[52] **U.S. Cl.** ..... **D30/109**  
[58] **Field of Search** ..... D30/108-109,  
D30/114, 116, 161; 119/418-420, 453-454,  
474, 489-491, 496-498, 502, 512-513

*Primary Examiner*—Cathy Anne MacCormac

[57] **CLAIM**

The ornamental design for a cat carrier, as shown and described.

[56] **References Cited**

**DESCRIPTION**

**U.S. PATENT DOCUMENTS**

D. 294,985	3/1988	Blieden	.....	D30/109
D. 356,877	3/1995	Burks	.....	D30/108
2,121,658	6/1938	Gehret	.....	119/474
3,375,808	4/1968	Freeman	.....	119/496
3,695,233	10/1972	Kovarik	.....	119/496
3,712,270	1/1973	Feir, Jr.	.....	119/454
3,834,352	9/1974	Gervis	.....	D30/109
3,890,932	6/1975	Sanzone et al.	.....	D30/109
3,930,467	1/1976	Fier, Jr.	.....	119/489

FIG. 1 is a front elevational view of the cat carrier showing my new design;  
FIG. 2 is a rear elevational view thereof;  
FIG. 3 is a right side view thereof;  
FIG. 4 is a left side view thereof;  
FIG. 5 is a top plan view thereof; and,  
FIG. 6 is a bottom plan view thereof.

**1 Claim, 3 Drawing Sheets**

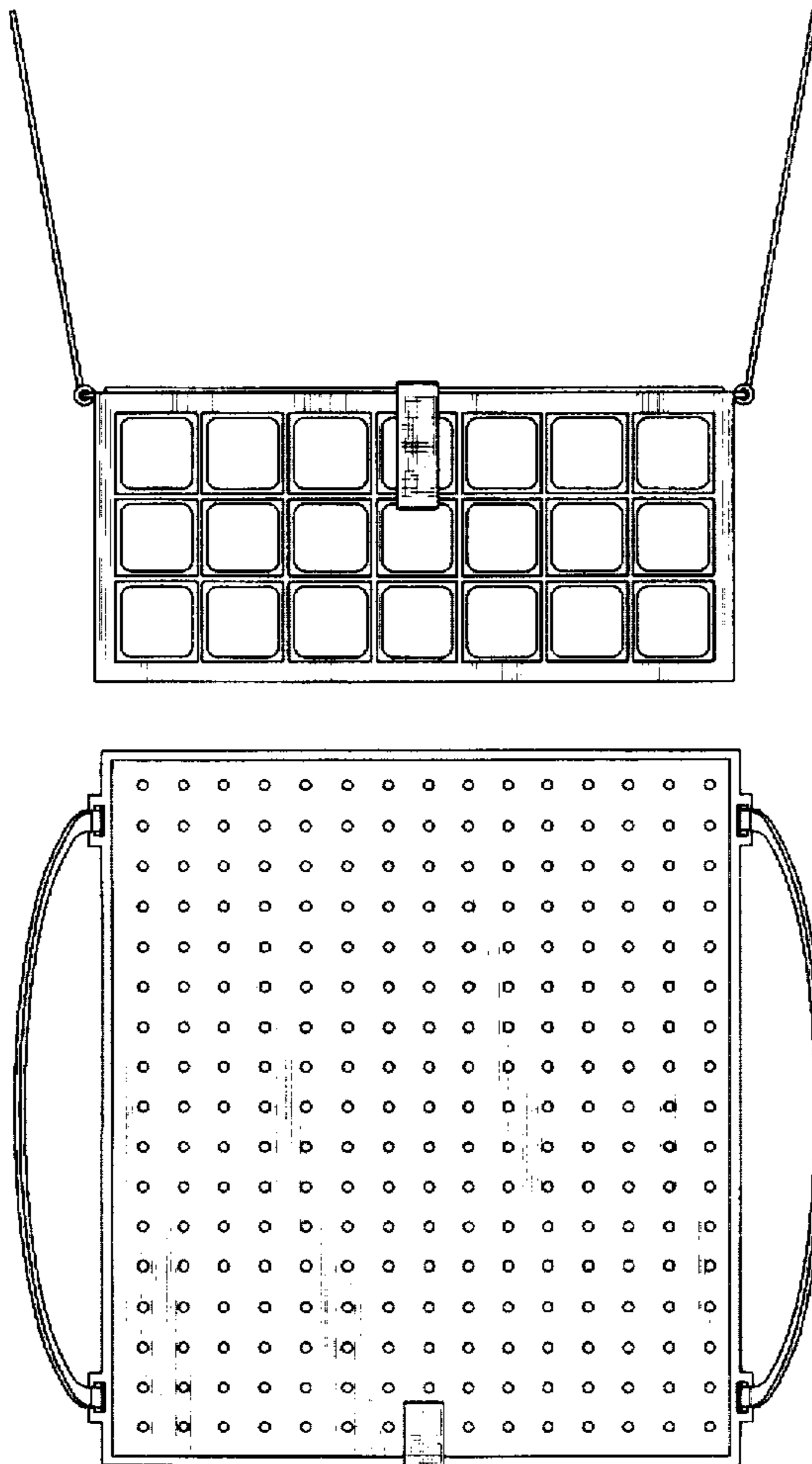


FIG. 1

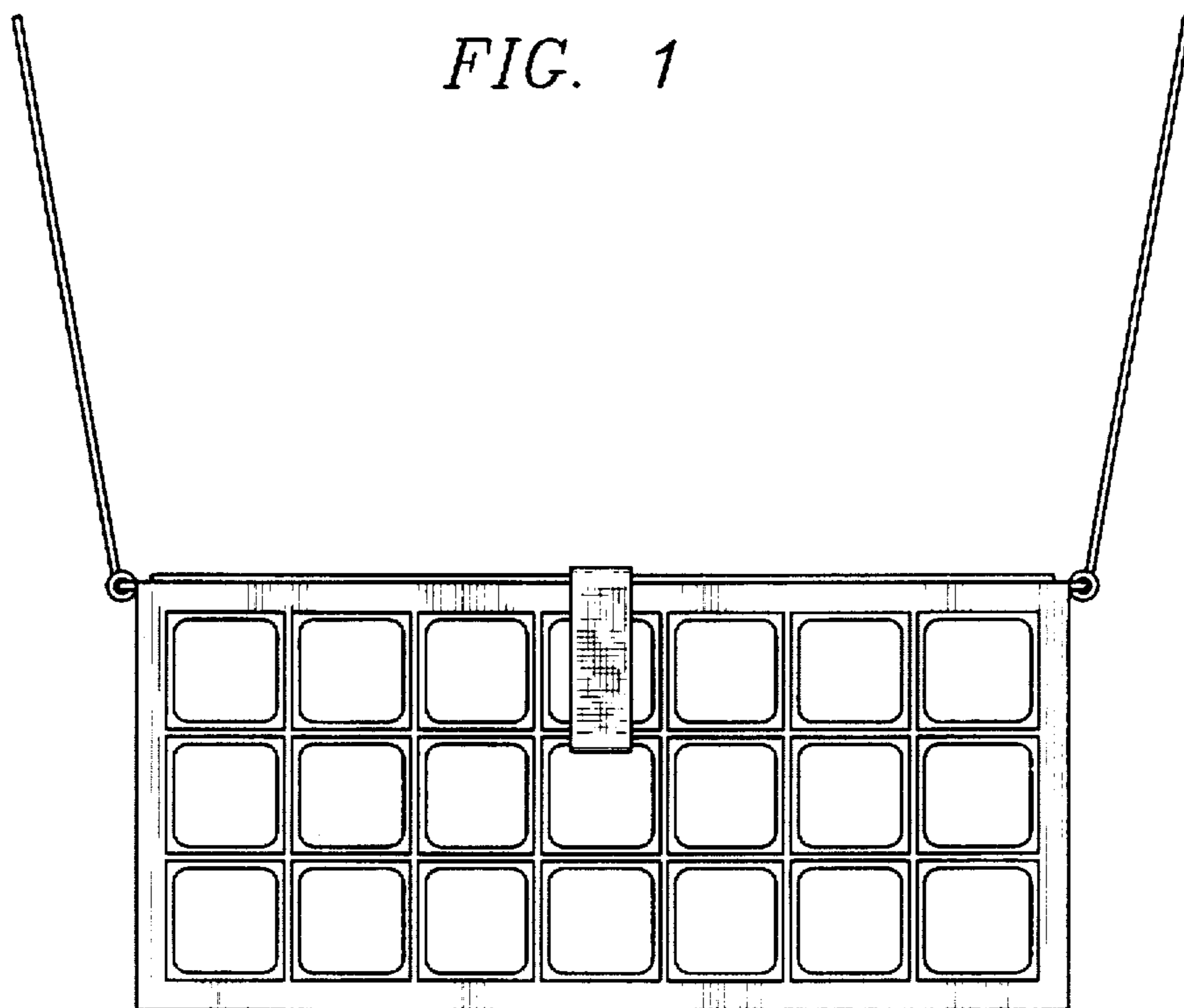


FIG. 2

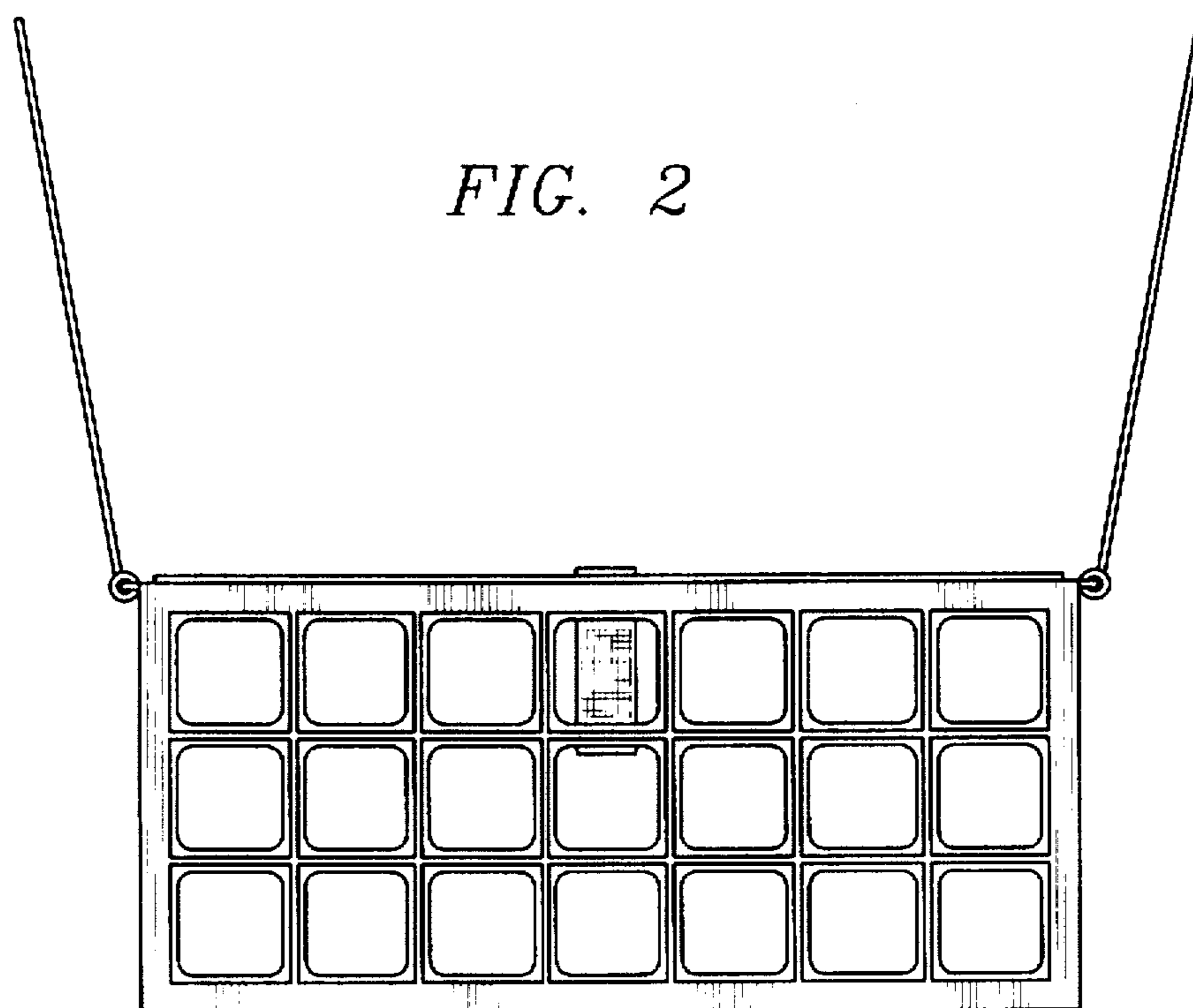


FIG. 3

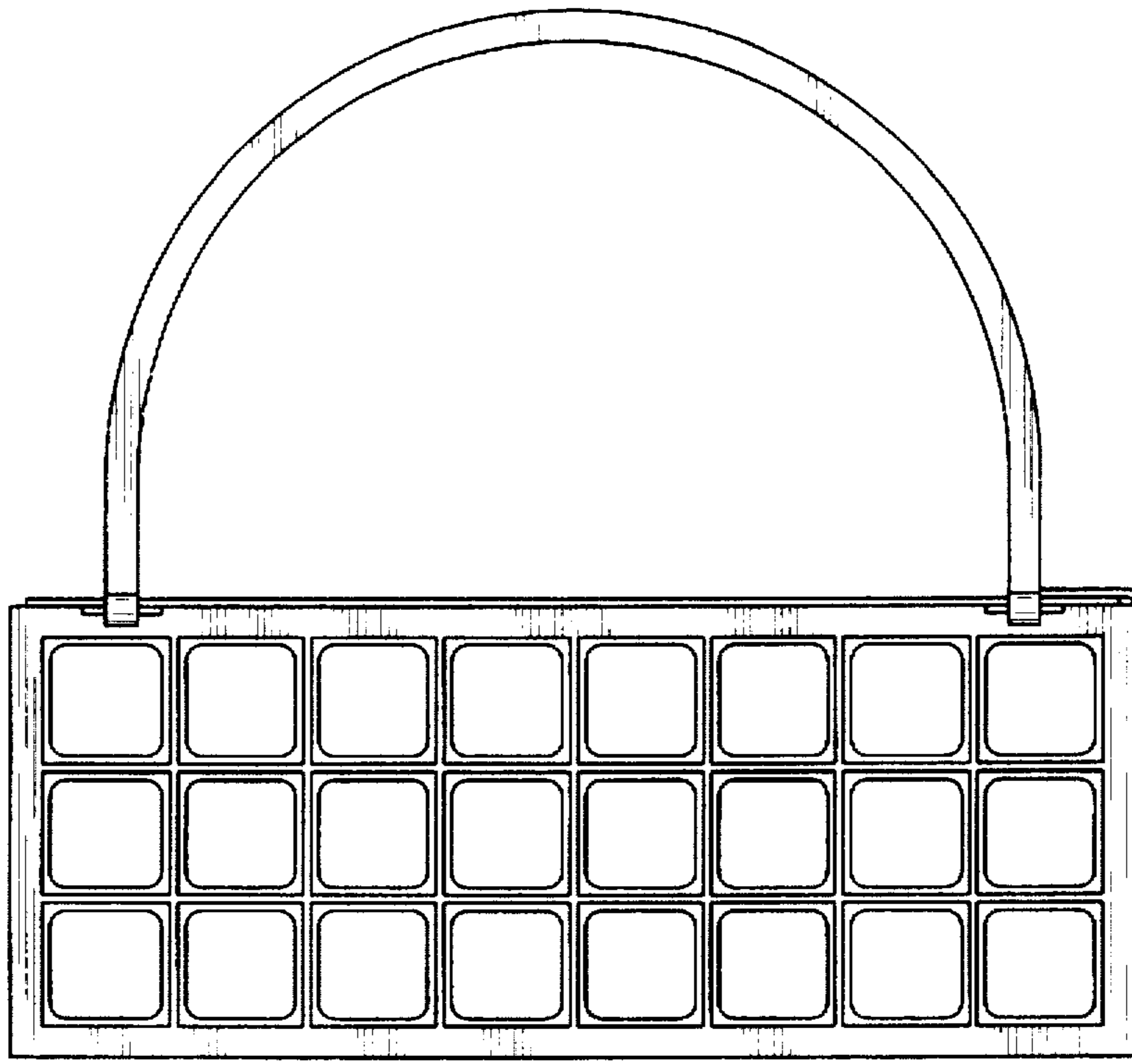


FIG. 4

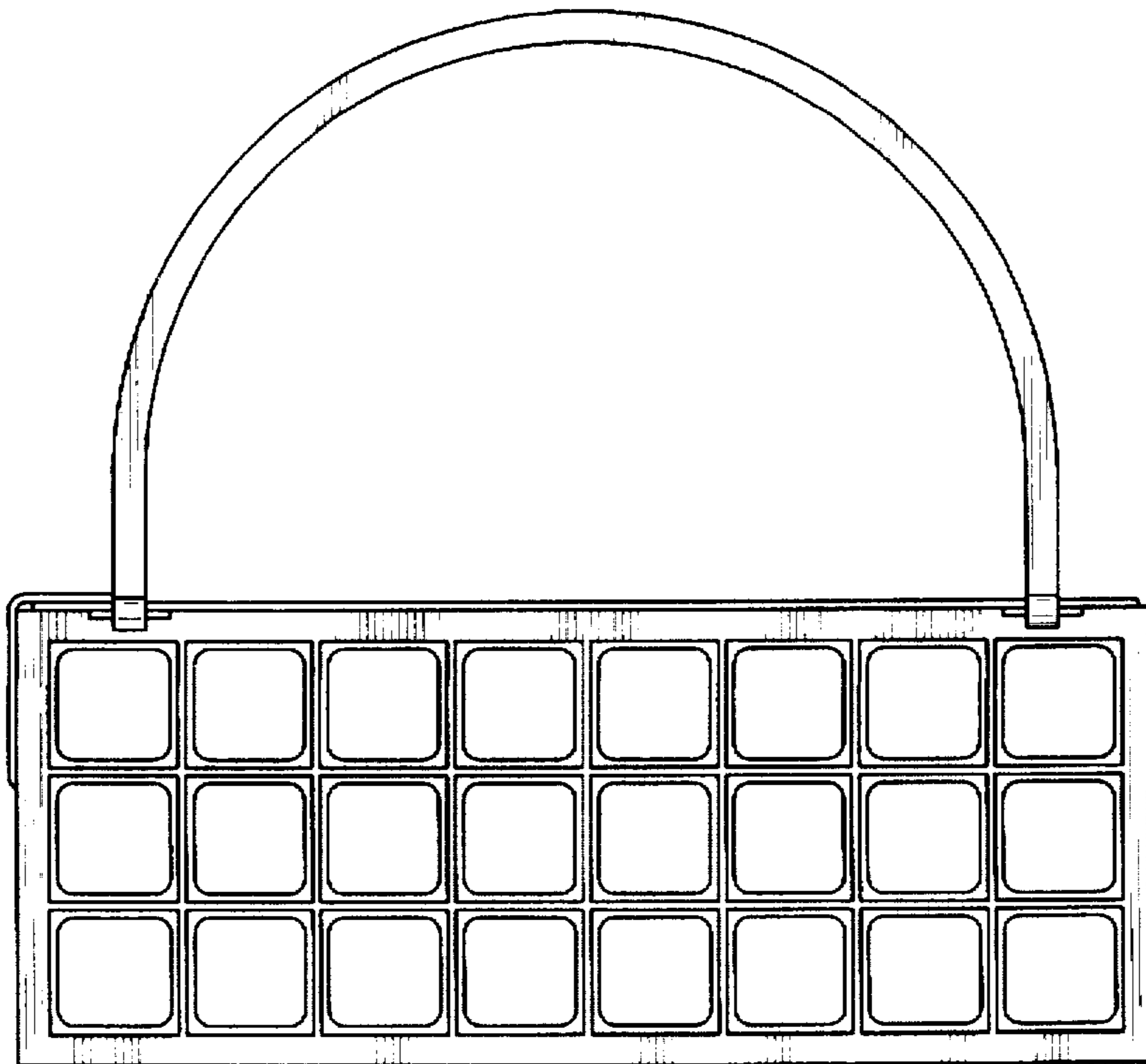


FIG. 5

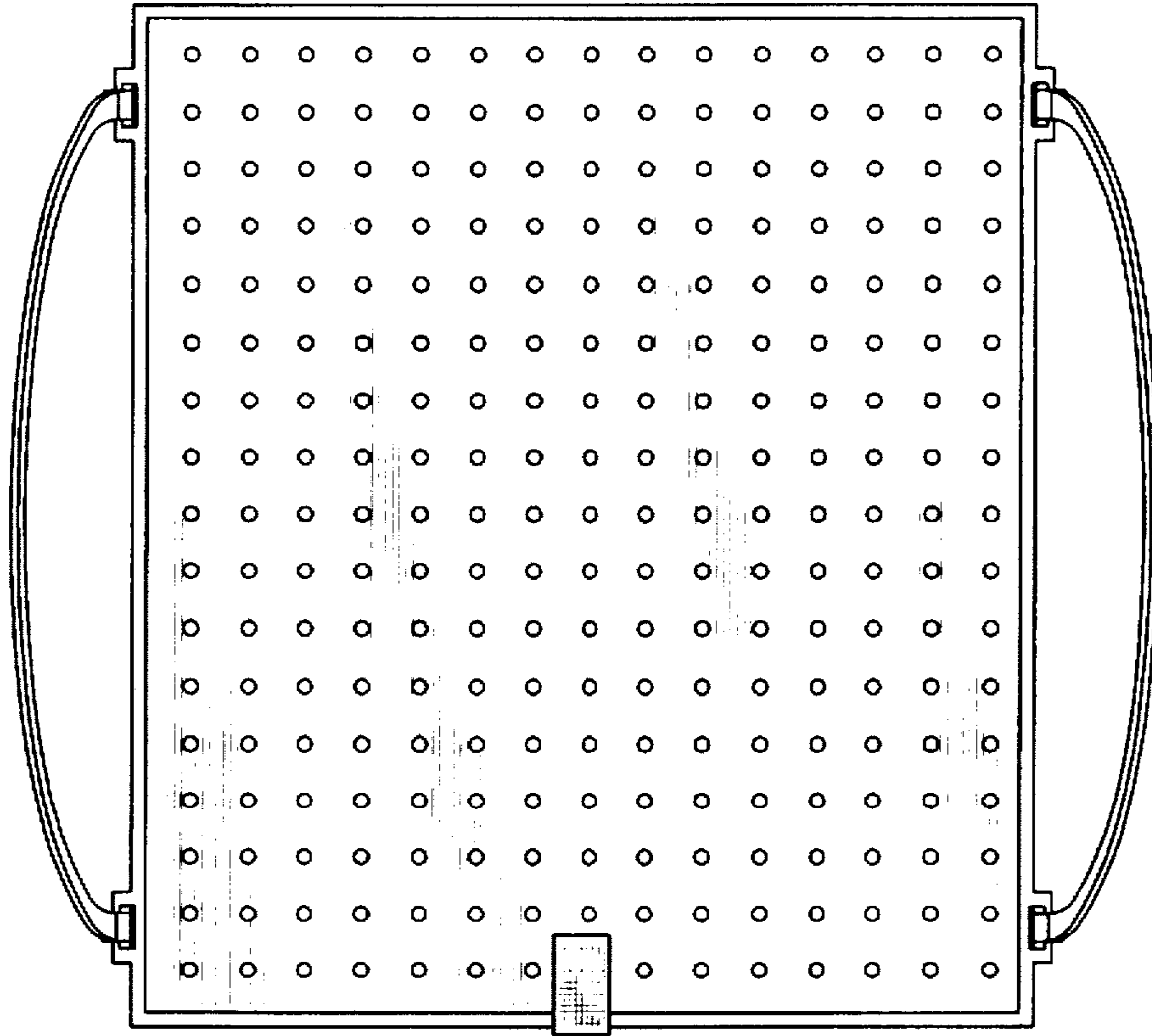


FIG. 6

