



US00D395097S

United States Patent [19]

Barton et al.

[11] Patent Number: **Des. 395,097**

[45] Date of Patent: ****Jun. 9, 1998**

[54] **ASHTRAY FOR CUPHOLDER OF VEHICLES**

[76] Inventors: **Jerry L. Barton**, 11205 Alpharetta Hwy., Suite G-3, Roswell, Ga. 30076; **Roddie W. Robinett**, 634 N. Clayton St., Lawrenceville, Ga. 30245; **James P. Wade, III**, 4704 Claridge Way, Marietta, Ga. 30066

[**] Term: **14 Years**

[21] Appl. No.: **68,610**

[22] Filed: **Mar. 25, 1997**

[51] LOC (6) Cl. **27-03**

[52] U.S. Cl. **D27/135**

[58] Field of Search D27/102, 103, D27/106, 108, 118, 109, 122, 123, 124, 125, 126, 133, 134, 135, 121; 131/240.1, 241, 235.1

[56] **References Cited**

U.S. PATENT DOCUMENTS

- D. 155,083 9/1949 Frank .
- D. 174,737 5/1955 Coughlin D27/133 X
- D. 248,876 8/1978 Hultberg .
- D. 255,498 6/1980 Levun .
- D. 262,996 2/1982 Rickmeir D27/135 X
- D. 266,879 11/1982 Pastirik .
- D. 280,555 9/1985 Grube .
- D. 309,352 7/1990 Harder et al. D27/135

- D. 350,481 9/1994 DeLury .
- D. 362,921 10/1995 Krystek D27/125
- 3,522,812 8/1970 Chism et al. .
- 4,133,319 1/1979 Bloomfield .
- 4,187,864 2/1980 Taddeo .
- 5,020,549 6/1991 Wojcik .
- 5,105,832 4/1992 Tasse .

FOREIGN PATENT DOCUMENTS

- 757405 of 0000 Canada .
- 968960 of 0000 France .

Primary Examiner—Susan J. Lucas
Assistant Examiner—Jennifer Rivard
Attorney, Agent, or Firm—Hinkle & Associates, P.C.

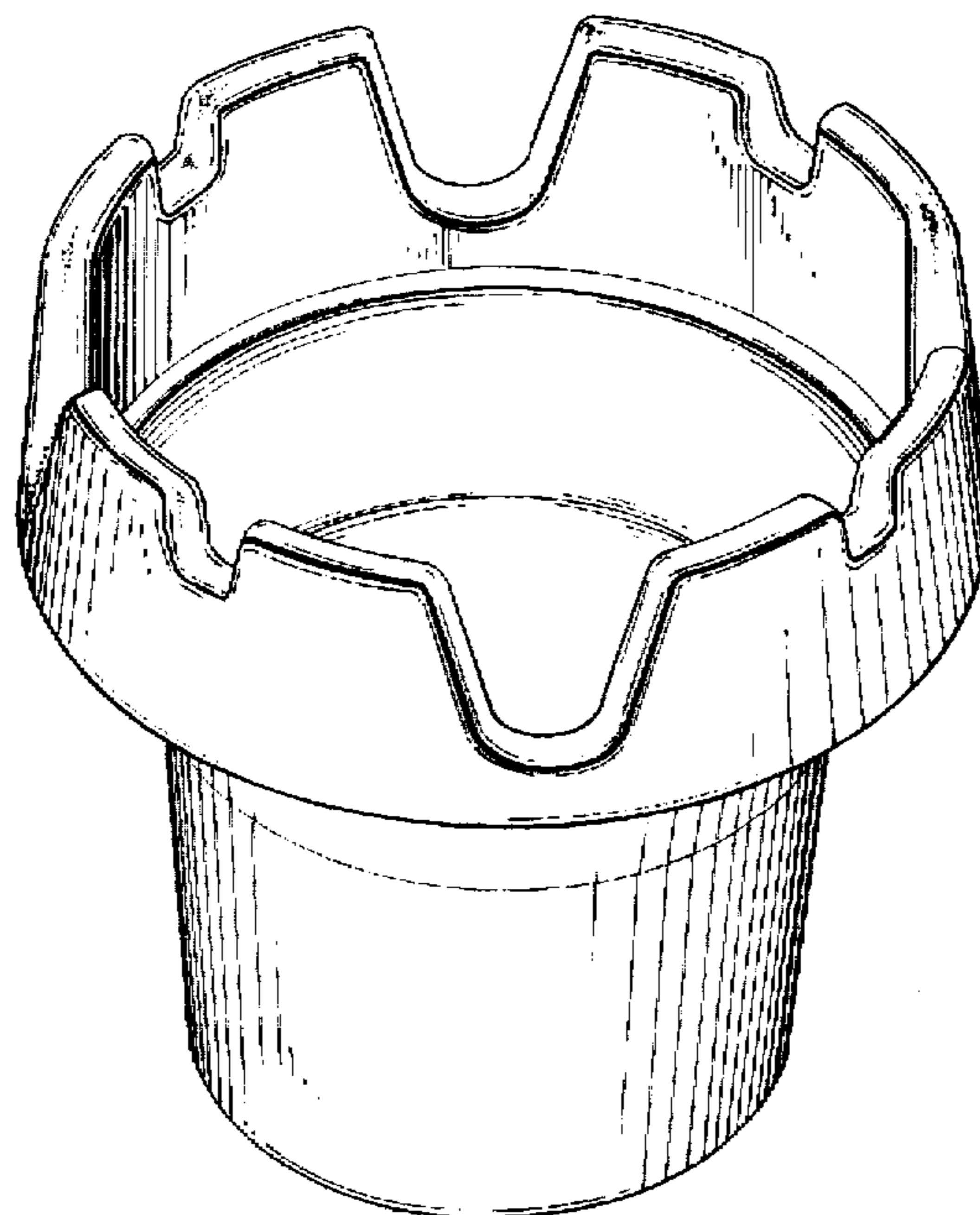
[57] **CLAIM**

The ornamental design for an ashtray for cupholder of vehicles, as shown and described.

DESCRIPTION

FIG. 1 is a perspective view of an ashtray for cupholder of vehicles embodying our new design; FIG. 2 is a top plan view thereof; FIG. 3 is a front elevation view thereof, the opposite side being a mirror image thereof; FIG. 4 is another front elevation view thereof which is similar to FIG. 3, but rotated forty-five degrees, the opposite side being a mirror image thereof; and, FIG. 5 is a bottom plan view thereof.

1 Claim, 3 Drawing Sheets



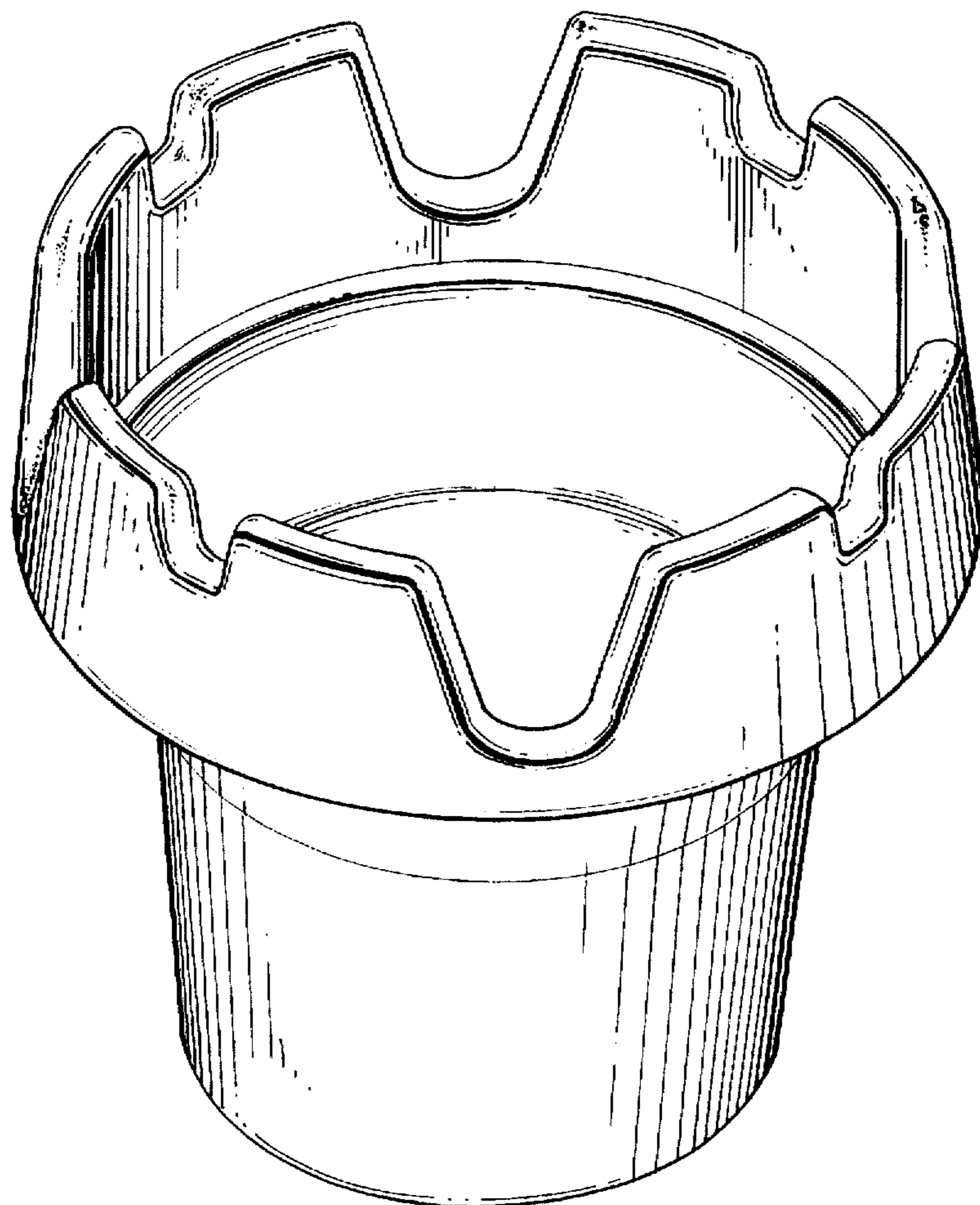


Fig. 1

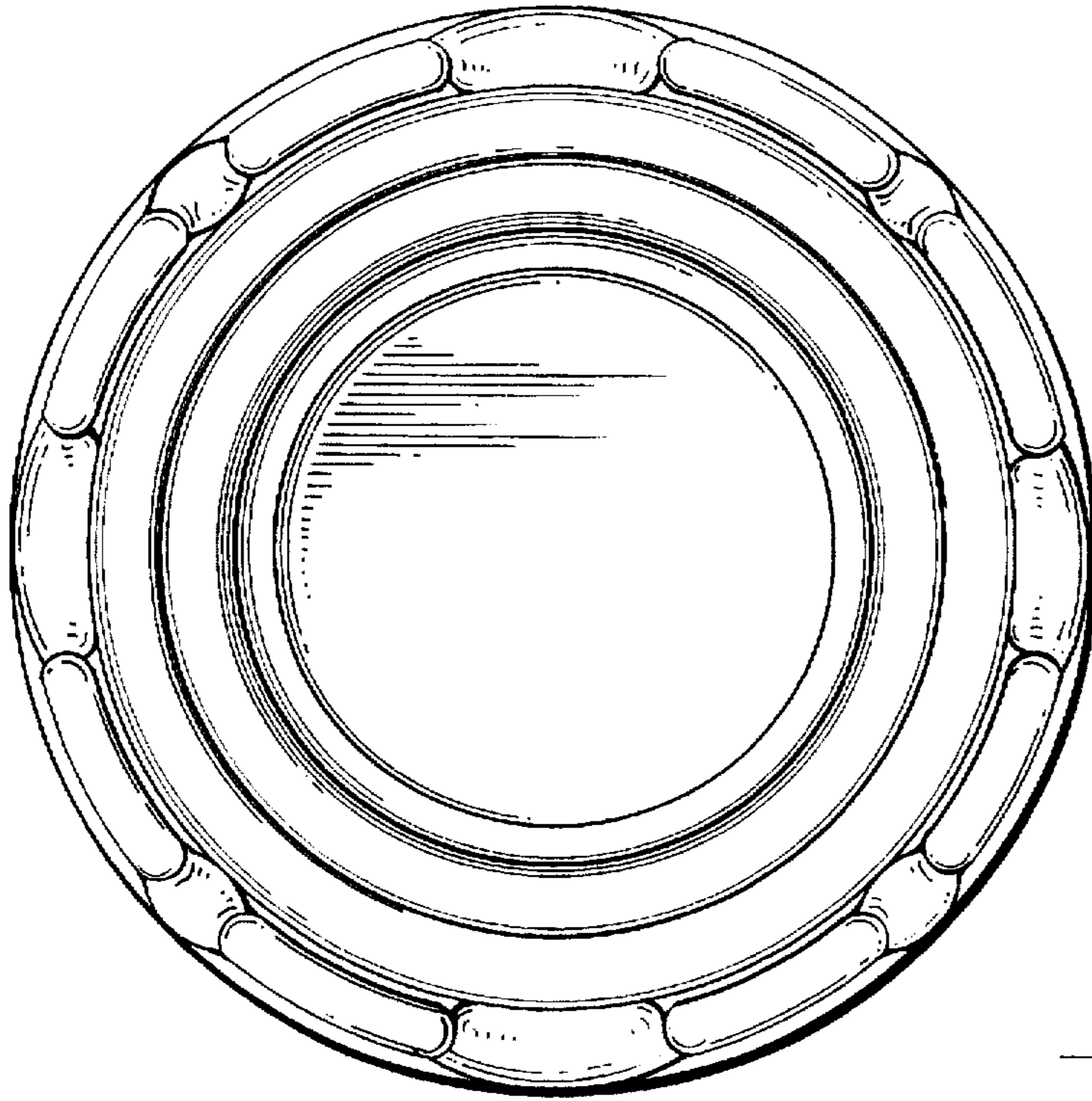


Fig. 2

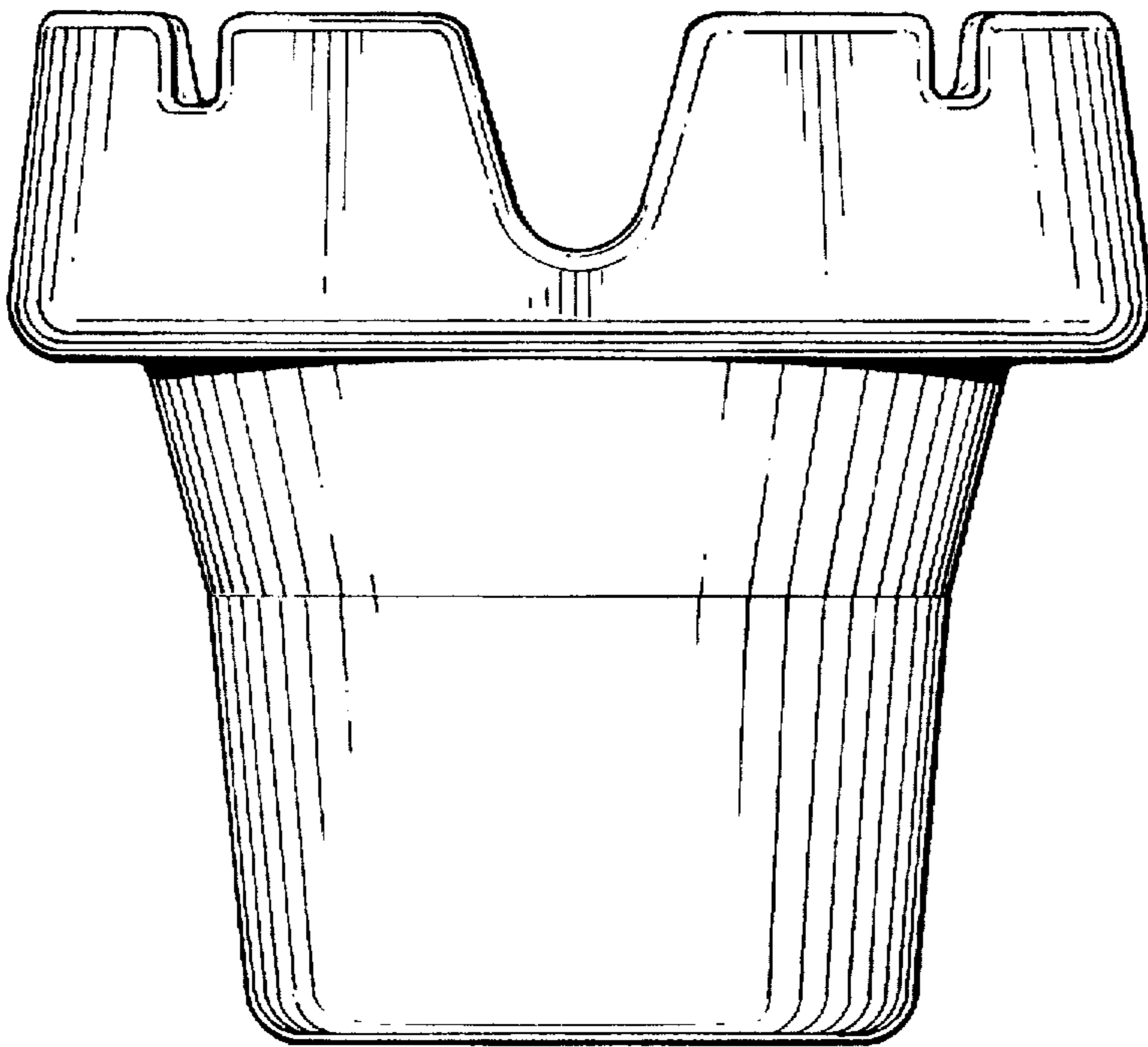


Fig. 3

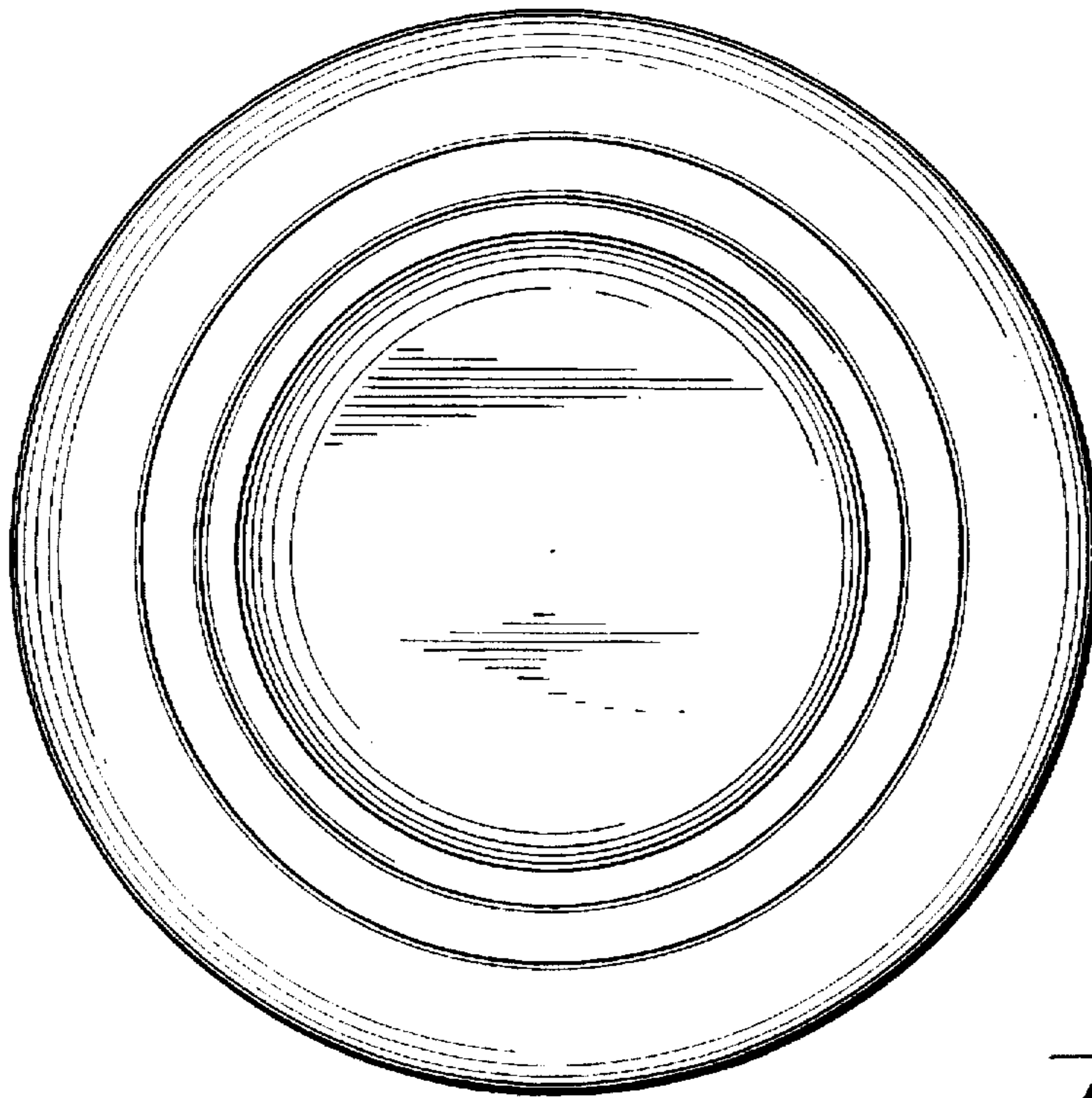


Fig. 5

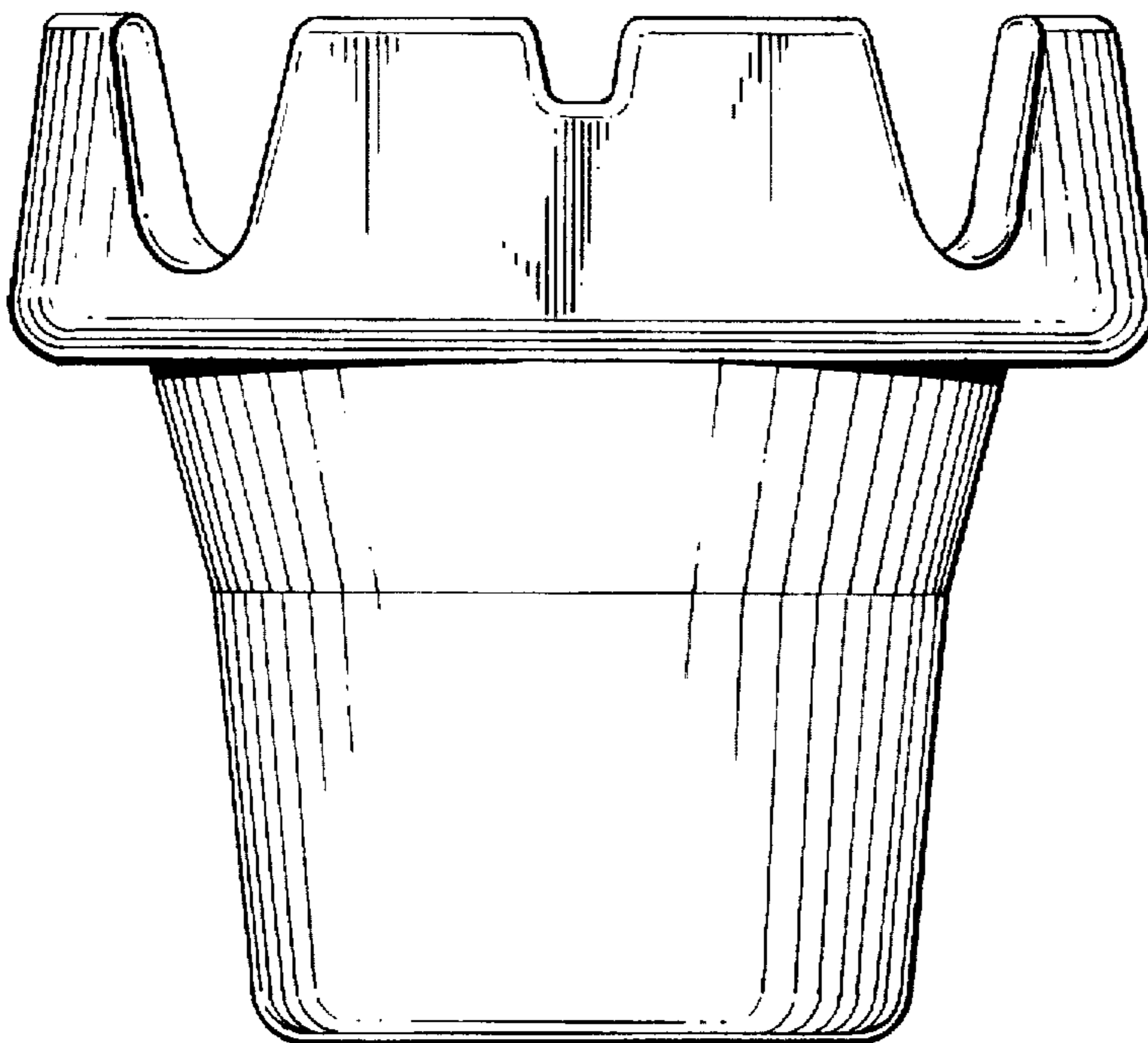


Fig. 4