



US00D395095S

**United States Patent** [19]  
**Keen**

[11] **Patent Number:** **Des. 395,095**  
[45] **Date of Patent:** **\*\*Jun. 9, 1998**

[54] **LAMP SHADE**

[76] **Inventor:** **Keen, 58, Ma Yuan West St., Taichung, Taiwan**

[\*\*] **Term:** **14 Years**

[21] **Appl. No.:** **74,372**

[22] **Filed:** **Jul. 26, 1997**

[51] **LOC (6) Cl.** ..... **26-05**

[52] **U.S. Cl.** ..... **D26/131; D26/73; D26/127**

[58] **Field of Search** ..... **D26/128-136, D26/127; 362/326, 327, 329, 331, 333, 334, 337, 338, 339, 340, 351, 355, 356; D7/526, 530, 560, 561, 562, 563, 564, 567, 559, 576**

[56] **References Cited**

**U.S. PATENT DOCUMENTS**

D. 42,718 7/1912 **Strong** ..... D26/127  
D. 48,716 3/1916 **Haley** ..... D7/564

**OTHER PUBLICATIONS**

Elgee lighting catalog, p. 68, ceiling lamp, #977-AB, top, right, 1991.  
Gillinder & Sons, Inc., lighting glassware catalog, #20, p. 17, Persian bowl #09371, Aug. 1913.

Lancaster Glass Co. lighting catalog, p. 23, wall shade, 1986.

*Primary Examiner*—Susan J. Lucas

[57] **CLAIM**

The ornamental design for a lamp shade, as shown and described.

**DESCRIPTION**

FIG. 1 is a perspective view of lamp shade showing my new design;

FIG. 2 is a front elevational view thereof;

FIG. 3 is a rear elevational view thereof;

FIG. 4 is a left side elevational view thereof;

FIG. 5 is a right side elevational view thereof;

FIG. 6 is a top plan view thereof; and,

FIG. 7 is a bottom plan view thereof.

**1 Claim, 4 Drawing Sheets**

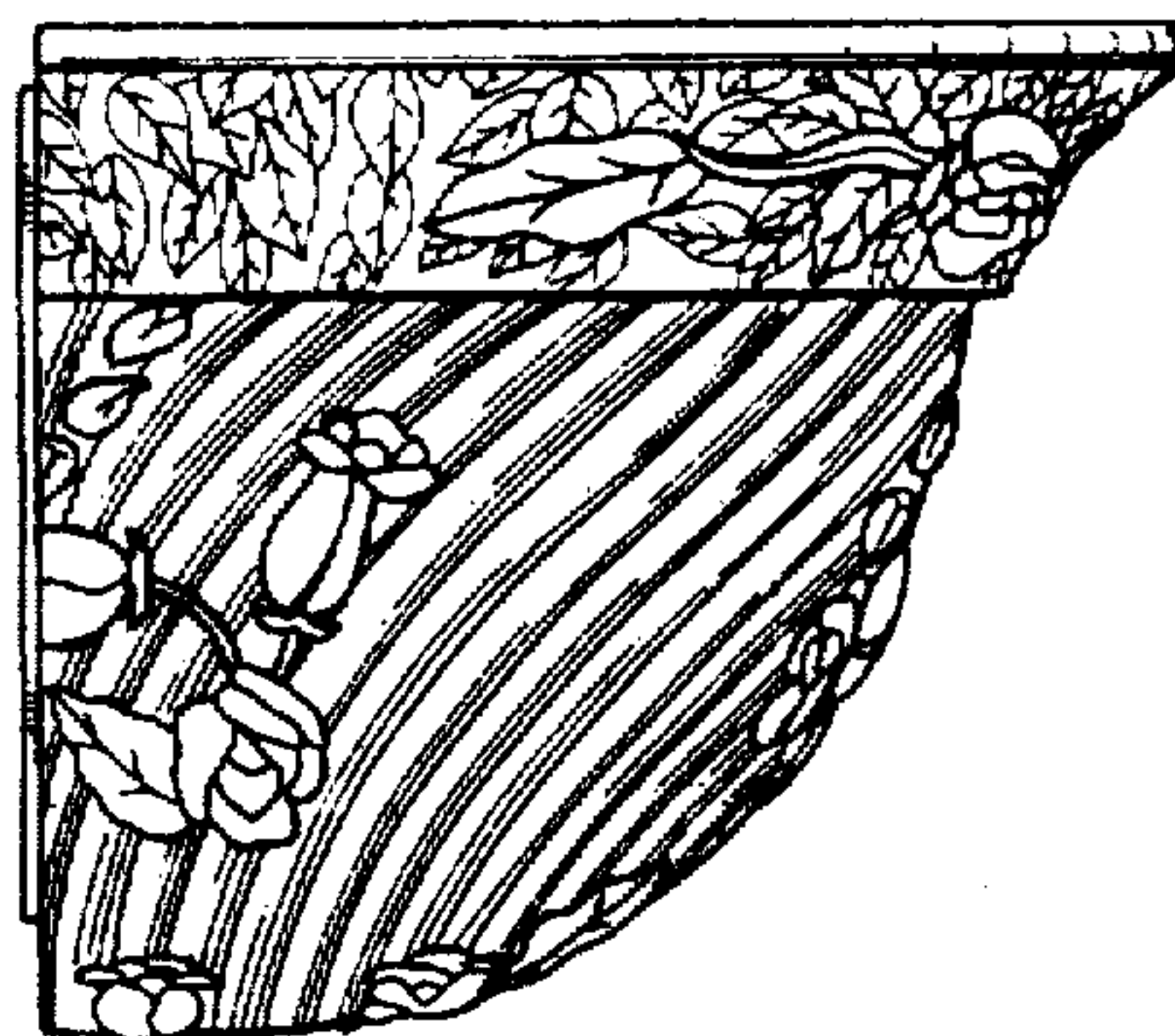




FIG. 1



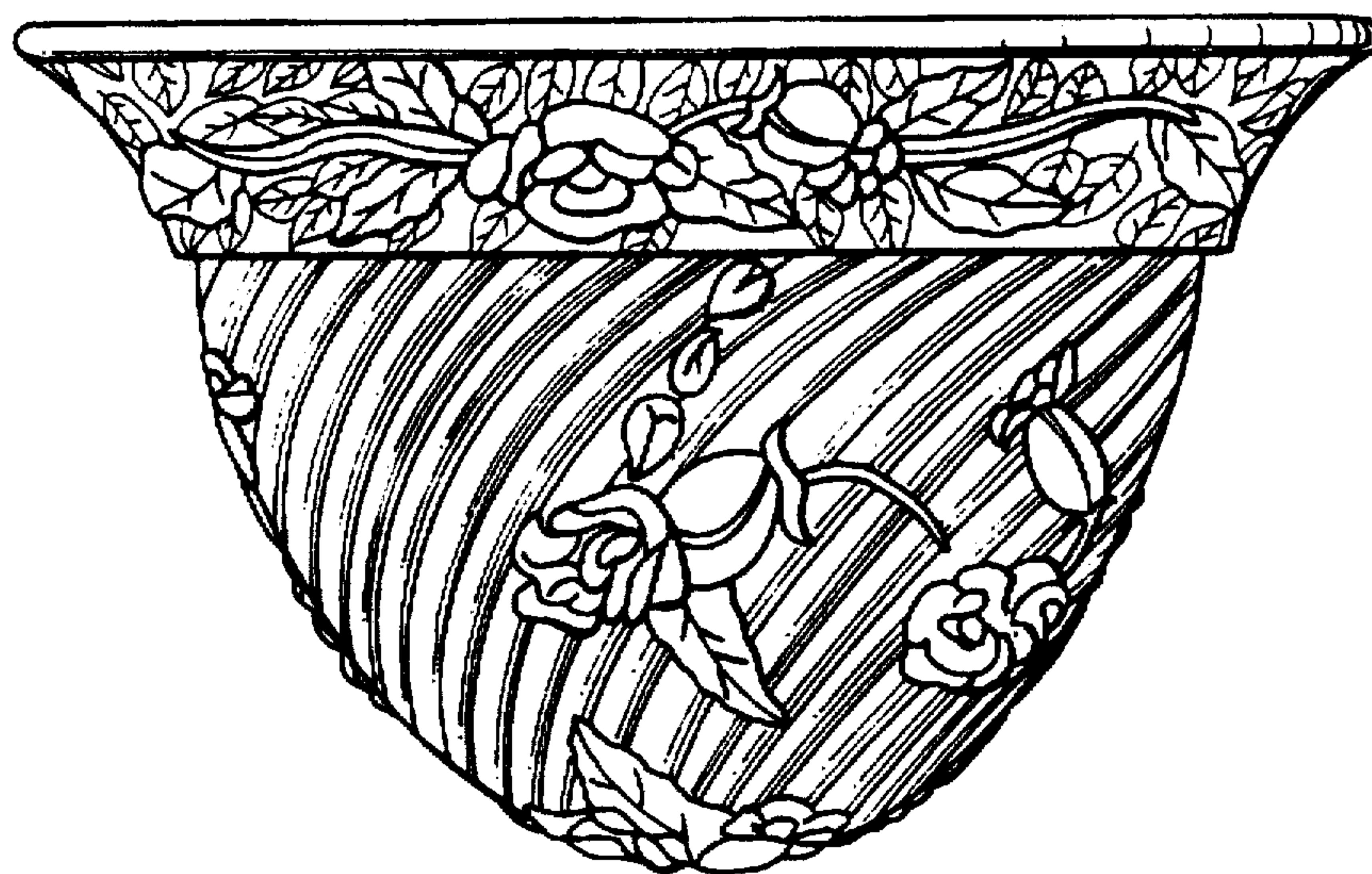


FIG. 2

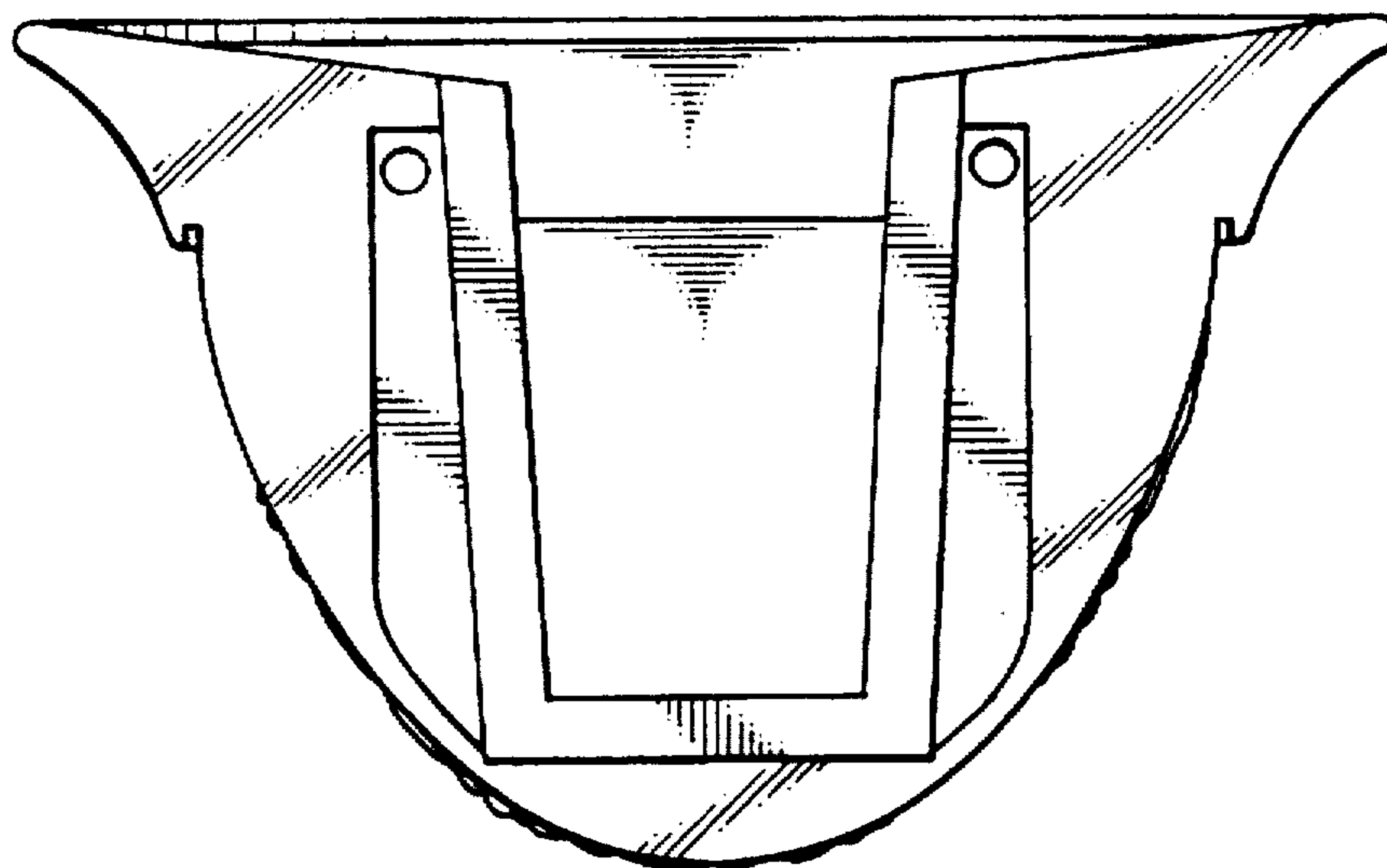


FIG. 3



FIG. 4

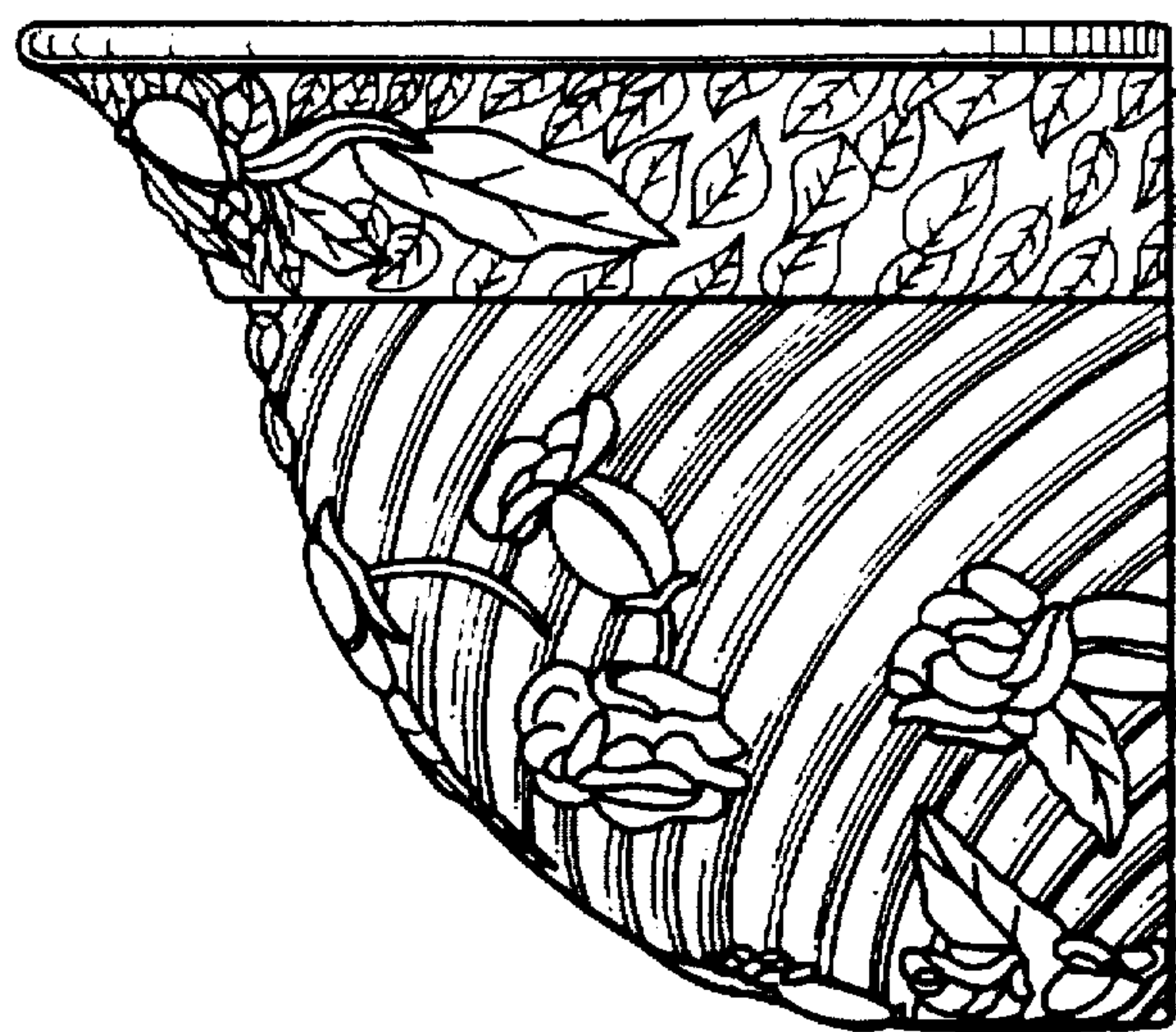


FIG. 5

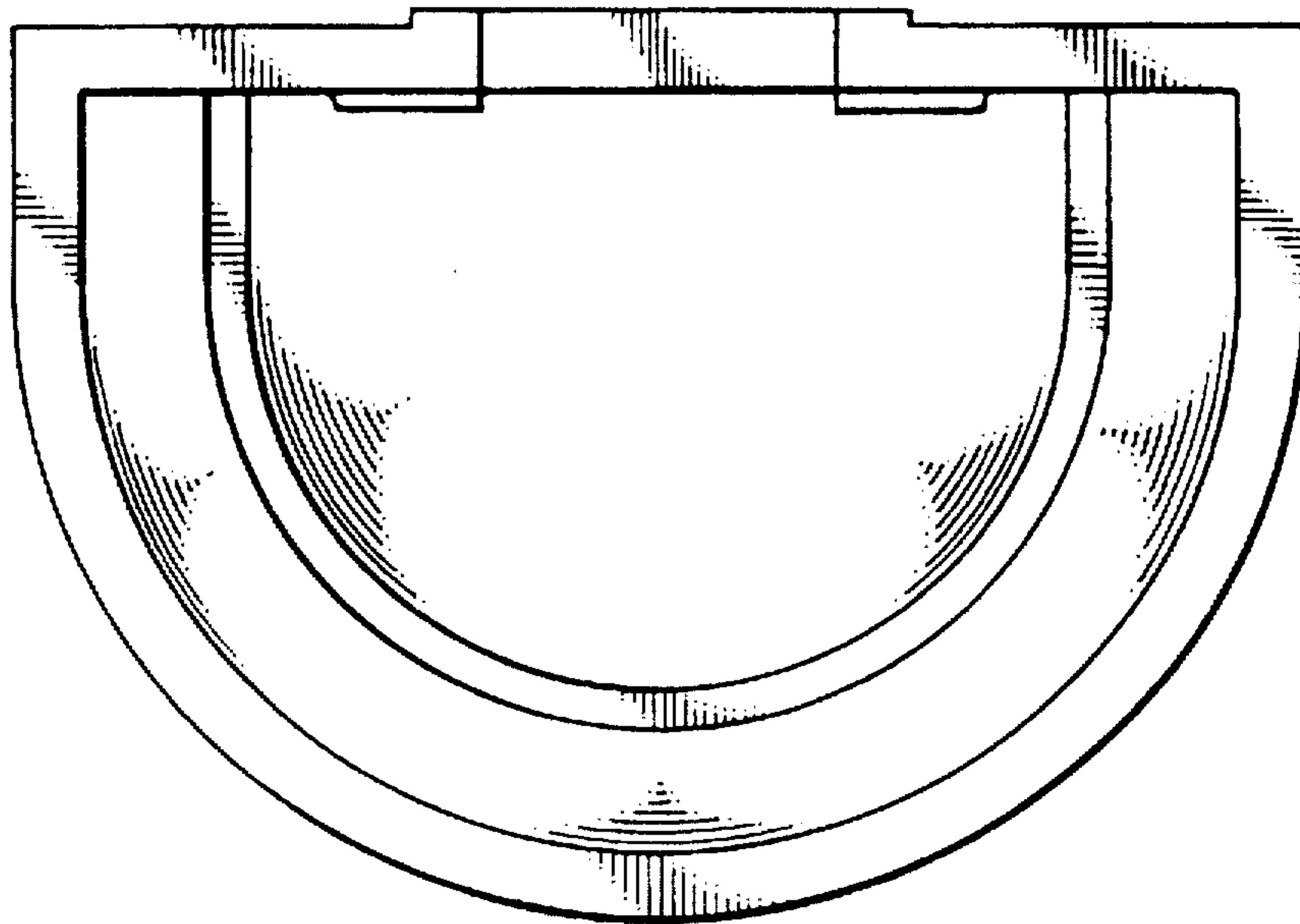


FIG. 6



FIG. 7