



US00D395094S

United States Patent [19]
Cohen

[11] **Patent Number:** **Des. 395,094**
[45] **Date of Patent:** ****Jun. 9, 1998**

[54] **VEHICLE LAMP LENS**

D. 370,275 5/1996 Schroeder D26/28

[76] **Inventor:** **Bruce S. Cohen**, 26493 Power,
Farmington Hills, Mich. 48334

Primary Examiner—Marcus A. Jackson
Attorney, Agent, or Firm—Lyon. P.C.

[**] **Term:** **14 Years**

[57] **CLAIM**

[21] **Appl. No.:** **74,635**

The ornamental design for a vehicle lamp lens, as shown and described.

[22] **Filed:** **Aug. 7, 1997**

DESCRIPTION

[51] **LOC (6) Cl.** **26-06**

[52] **U.S. Cl.** **D26/28**

[58] **Field of Search** D26/28-35; 362/80.1,
362/80, 61, 72, 74, 82, 83, 83.3

FIG. 1 is a perspective view of a vehicle lamp lens showing may new design, with the broken line showing for illustrative purposes only and forming no part of the claimed design;

FIG. 2 is an enlarged left side elevational view thereof, with the opposite side being a mirror image;

FIG. 3 is a front view of the lens of FIG. 1;

FIG. 4 is a top view of the lens of FIG. 1; and,

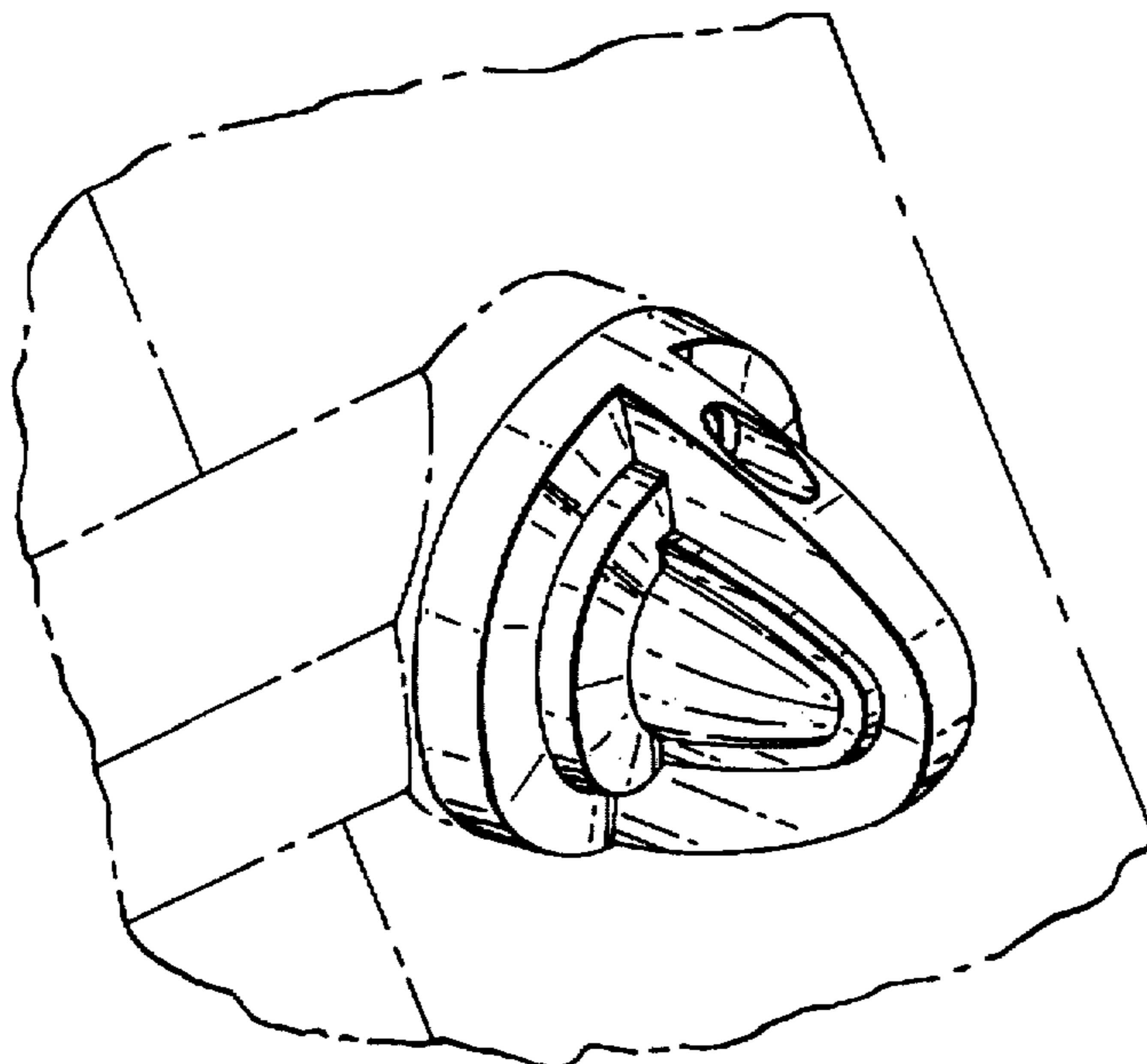
FIG. 5 is a rear view of the lens of FIG. 1.

[56] **References Cited**

U.S. PATENT DOCUMENTS

D. 334,073	3/1993	Wishoff	D26/28
D. 346,232	4/1994	Falkensson et al.	D26/28
D. 353,054	12/1994	Paffrath	D26/28
D. 357,756	4/1995	Tsai	D26/28

1 Claim, 1 Drawing Sheet



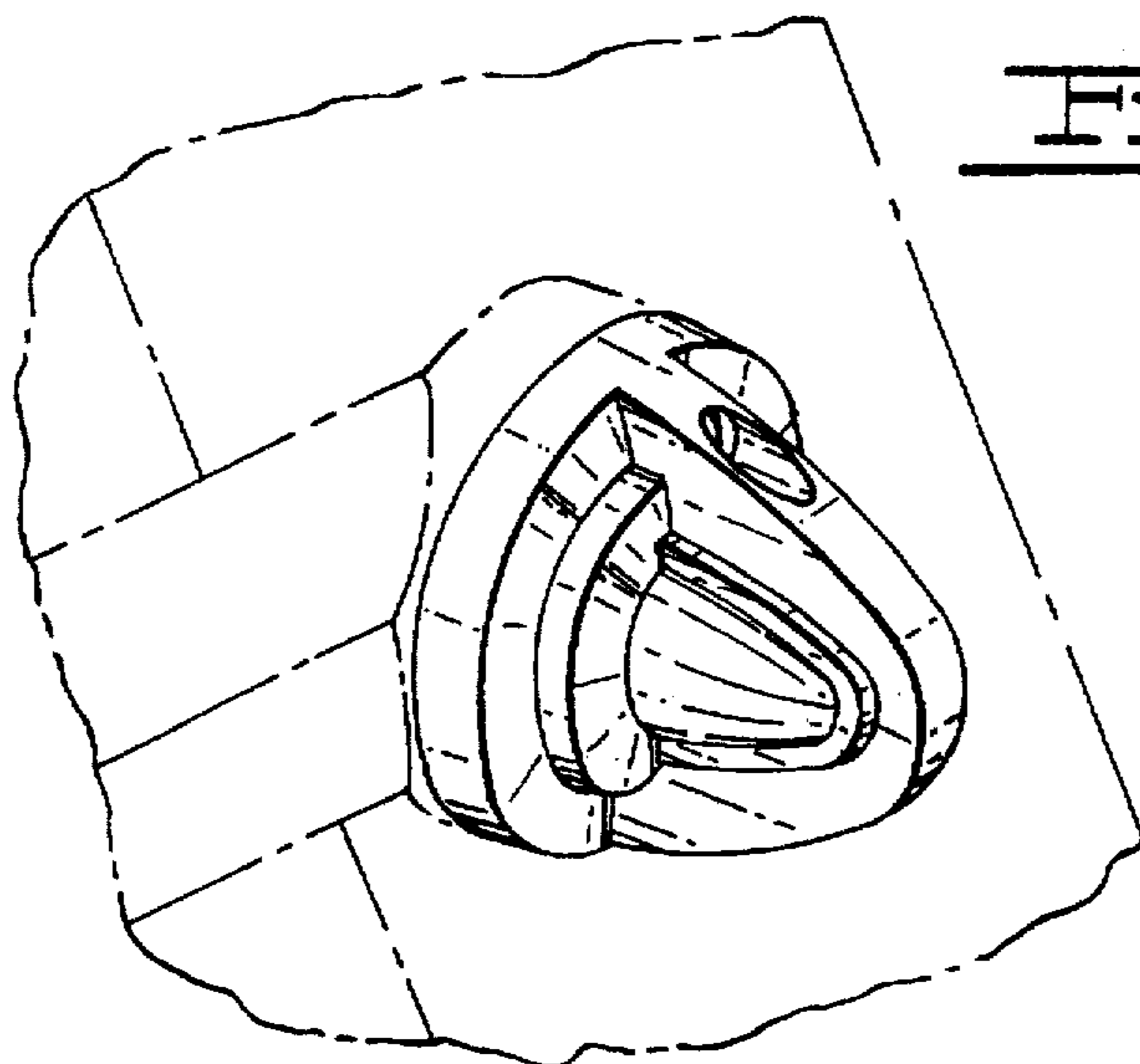


FIG. 1.

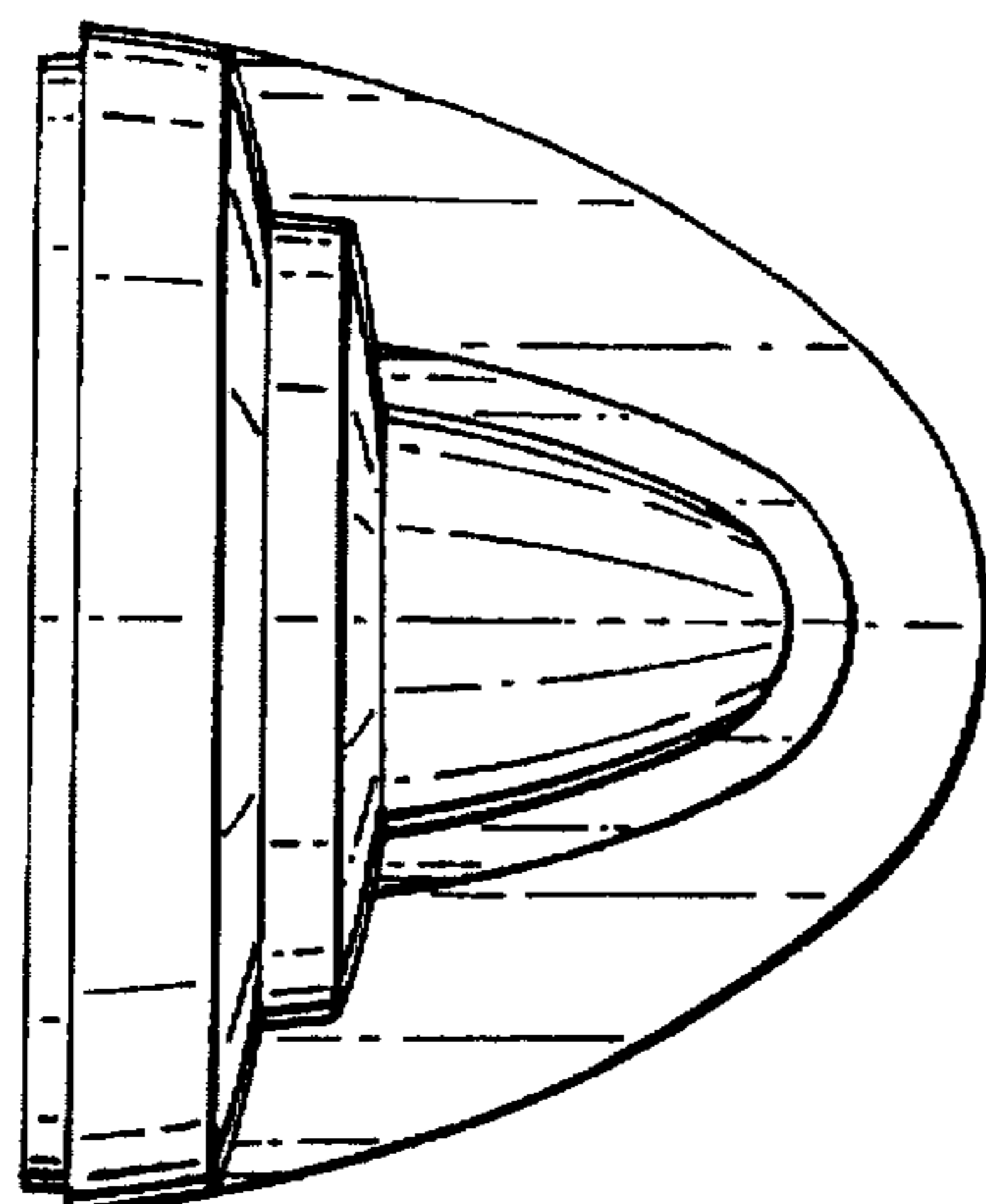


FIG. 2.

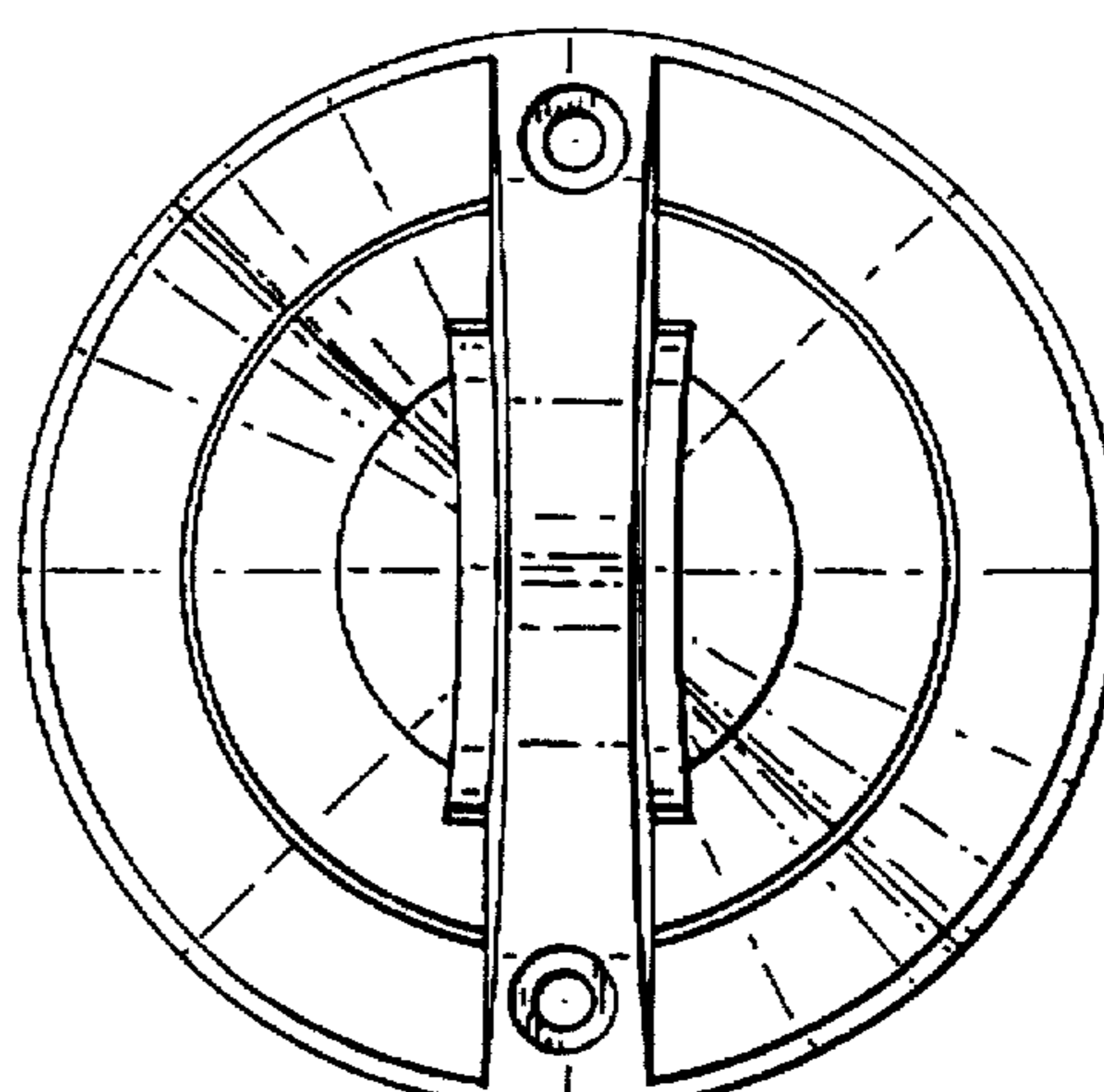


FIG. 3.

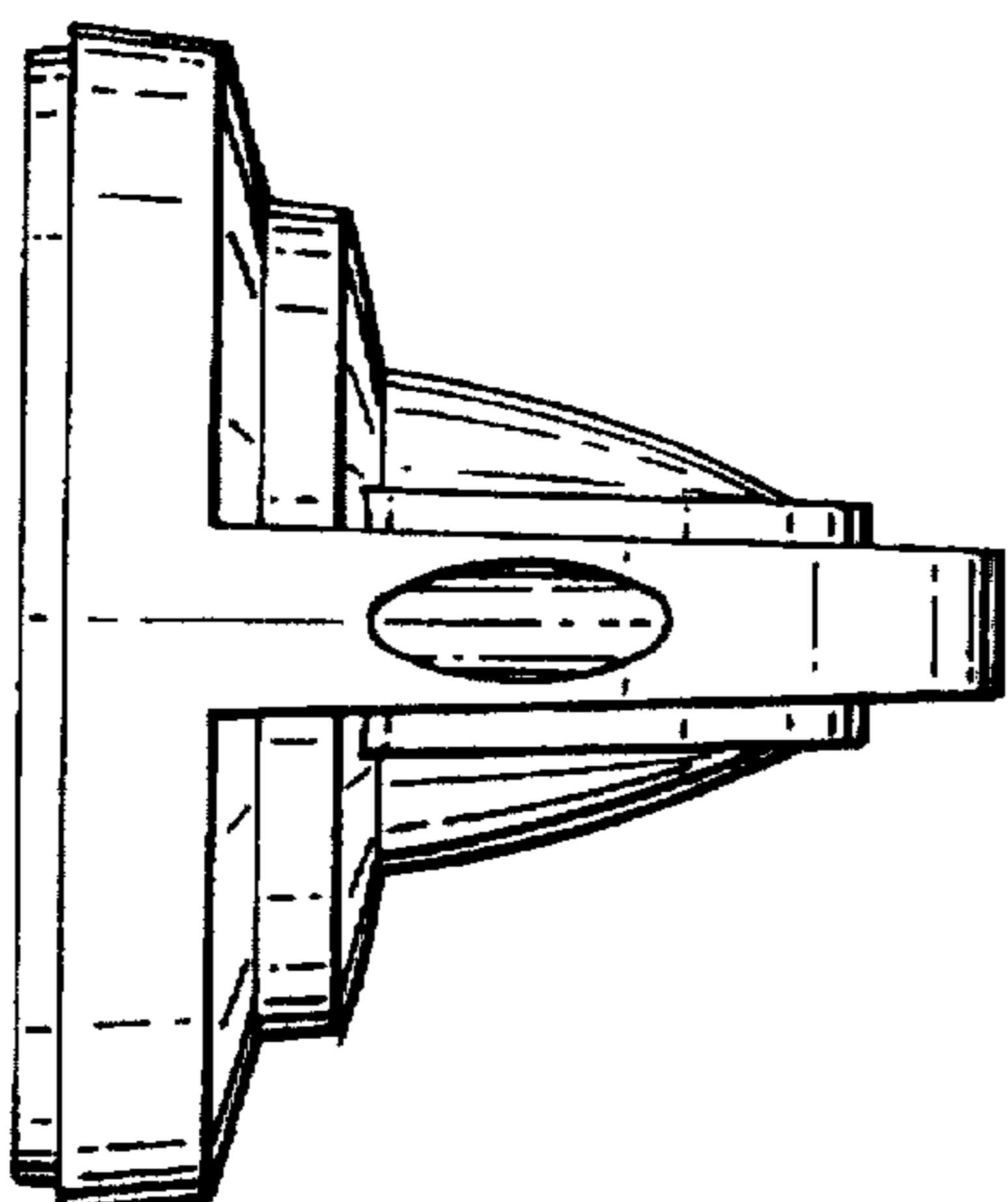


FIG. 4.

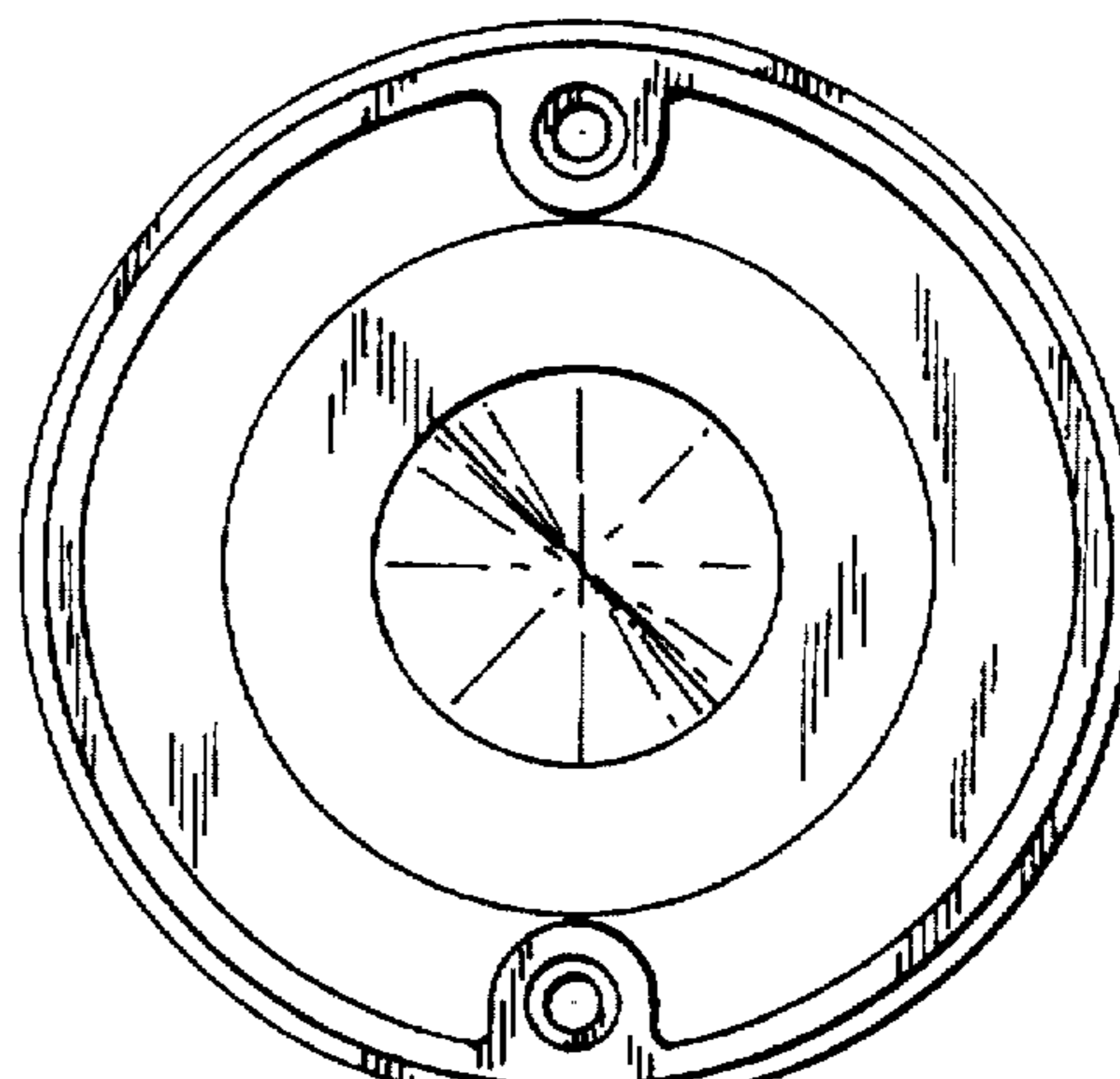


FIG. 5.