



US00D395093S

United States Patent [19]
Summerland

[11] **Patent Number: Des. 395,093**
[45] **Date of Patent: **Jun. 9, 1998**

[54] **LIGHTING UNIT**

4,887,197 12/1989 Effinger 362/811 X

[75] **Inventor: David Thomas Summerland, Leicester, United Kingdom**

Primary Examiner—Susan J. Lucas
Attorney, Agent, or Firm—Young & Thompson

[73] **Assignee: Mad Lighting Limited, Leicester, England**

[57] **CLAIM**

[**] **Term: 14 Years**

The ornamental design for a lighting unit, as shown and described.

[21] **Appl. No.: 66,386**

DESCRIPTION

[22] **Filed: Feb. 12, 1997**

[30] **Foreign Application Priority Data**

Aug. 30, 1996 [GB] United Kingdom 2058915

[51] **LOC (6) Cl. 26-05**

[52] **U.S. Cl. D26/24**

[58] **Field of Search D26/24; 362/806, 362/811, 306**

FIG. 1 is an end view showing my lighting unit;

FIG. 2 is a view from the other end;

FIG. 3 is a side elevation;

FIG. 4 is a plan view; and,

FIG. 5 is a perspective view.

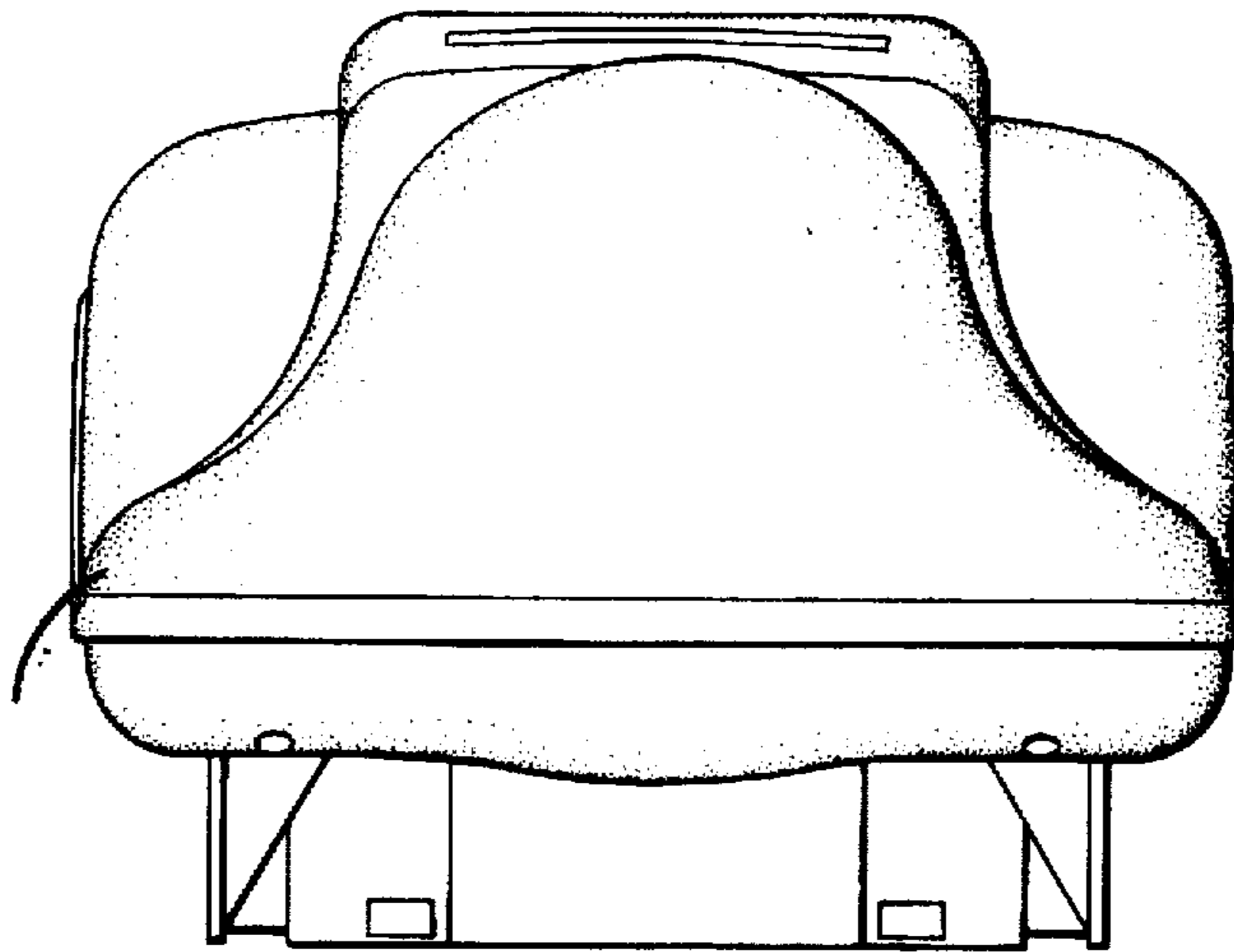
The bottom of the fixture is hidden in use and is not part of the claimed design.

[56] **References Cited**

U.S. PATENT DOCUMENTS

3,634,679 1/1972 Krzyston 362/811 X

1 Claim, 3 Drawing Sheets



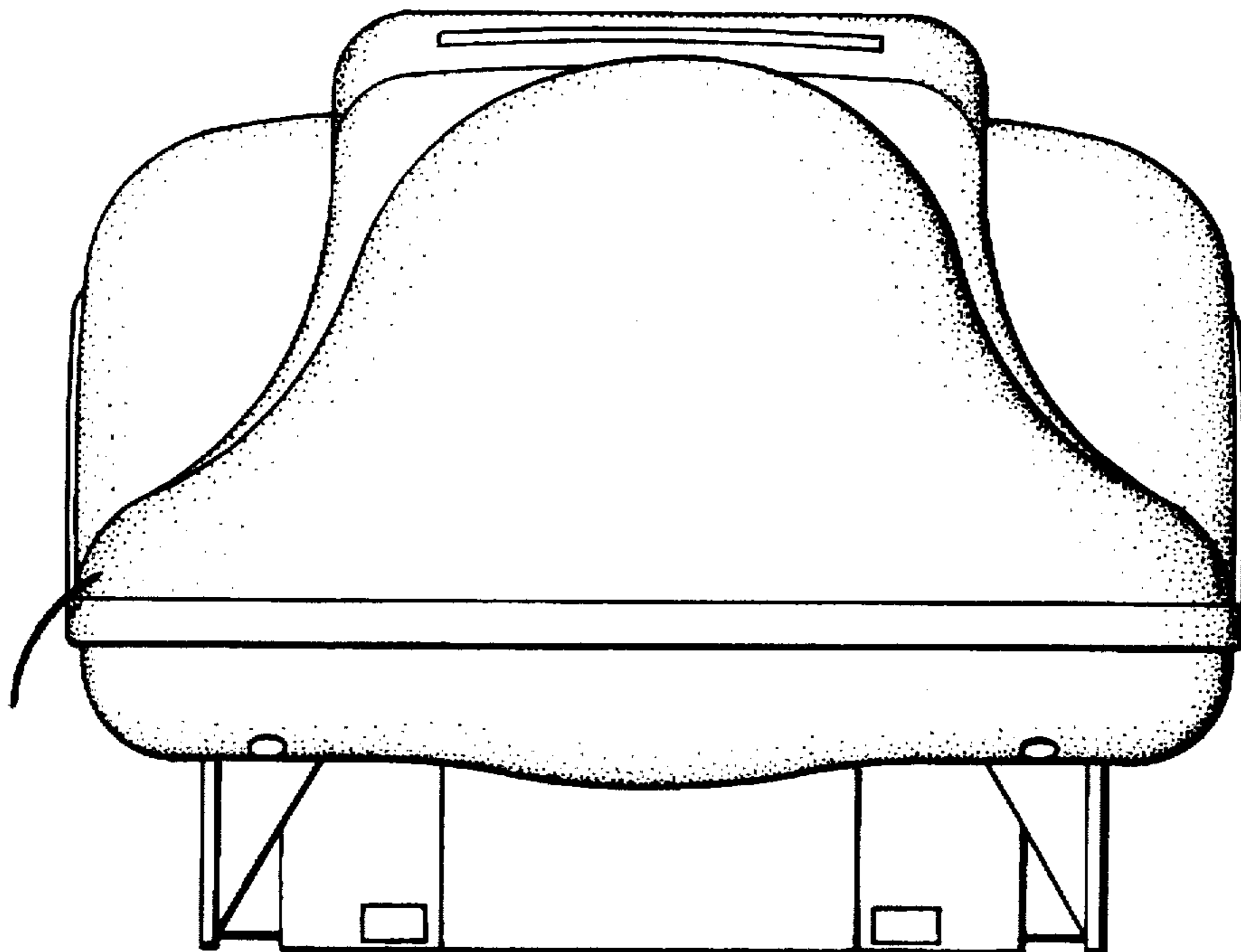


FIG 1

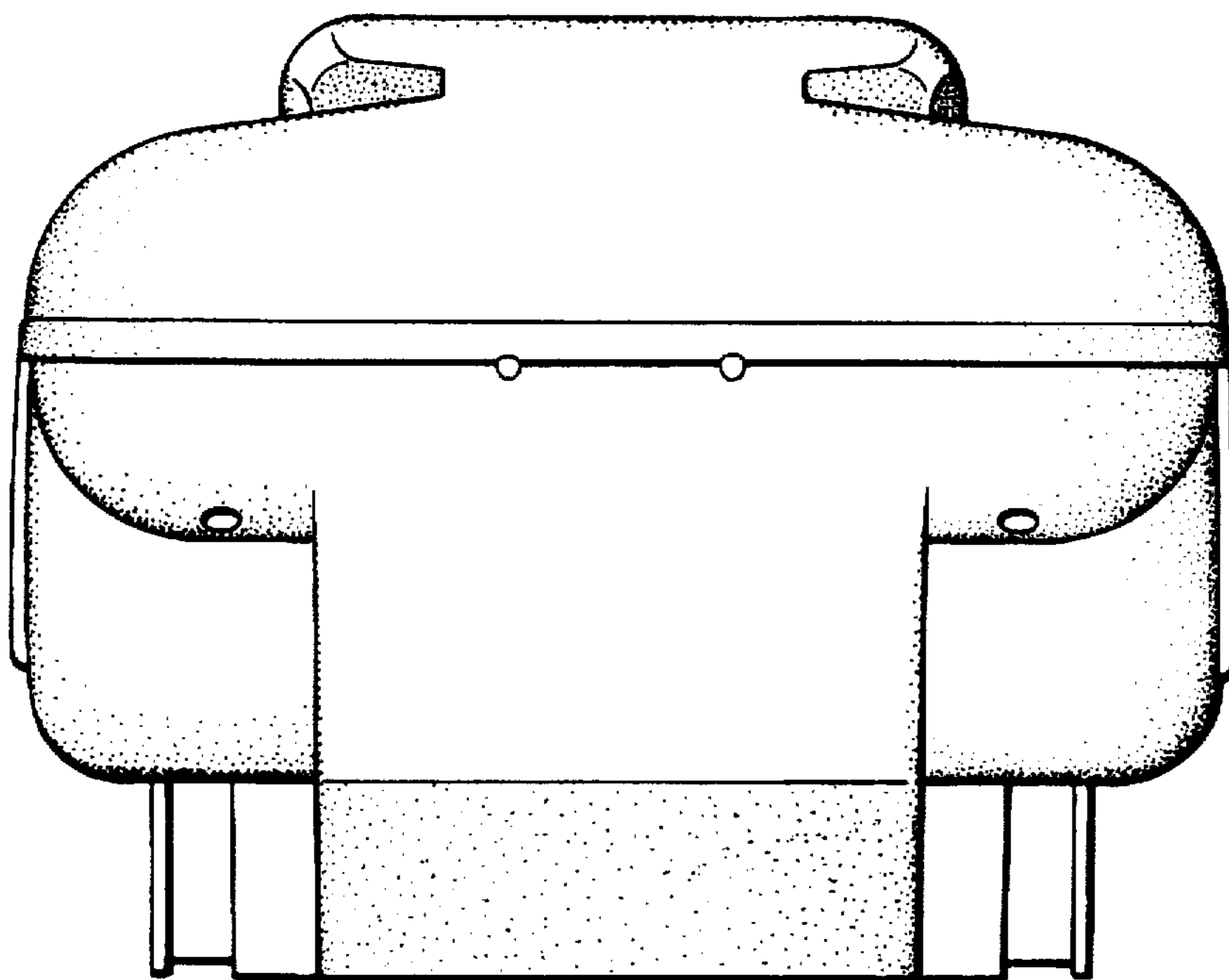


FIG 2

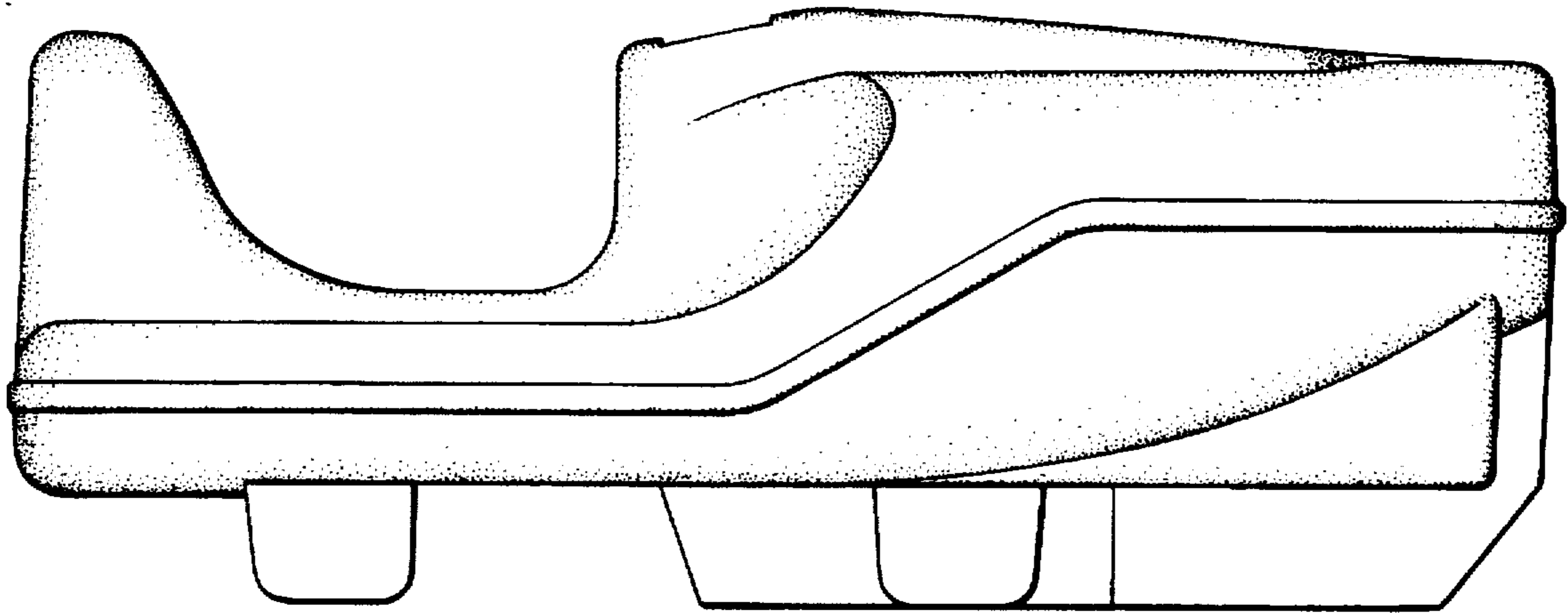


FIG 3

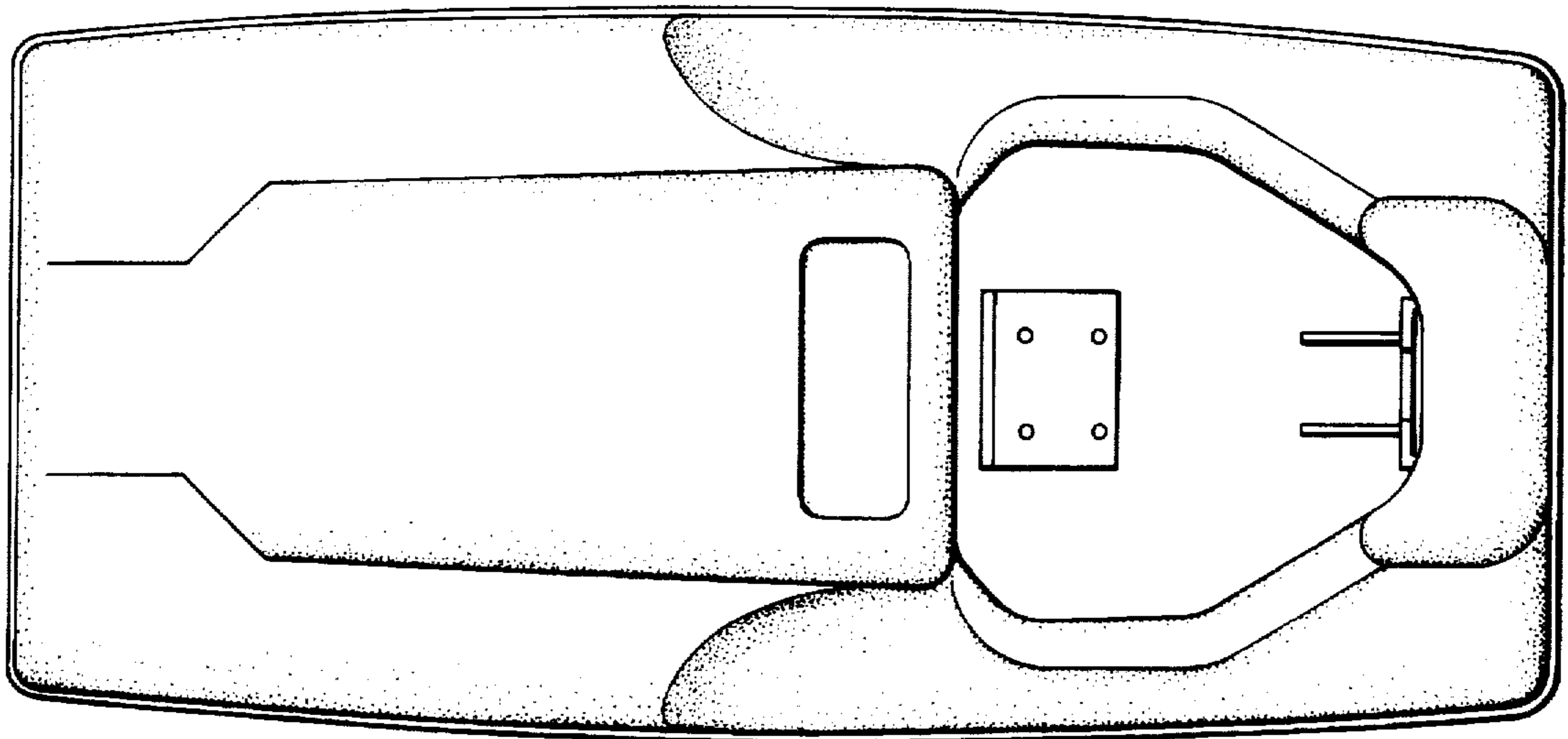


FIG 4

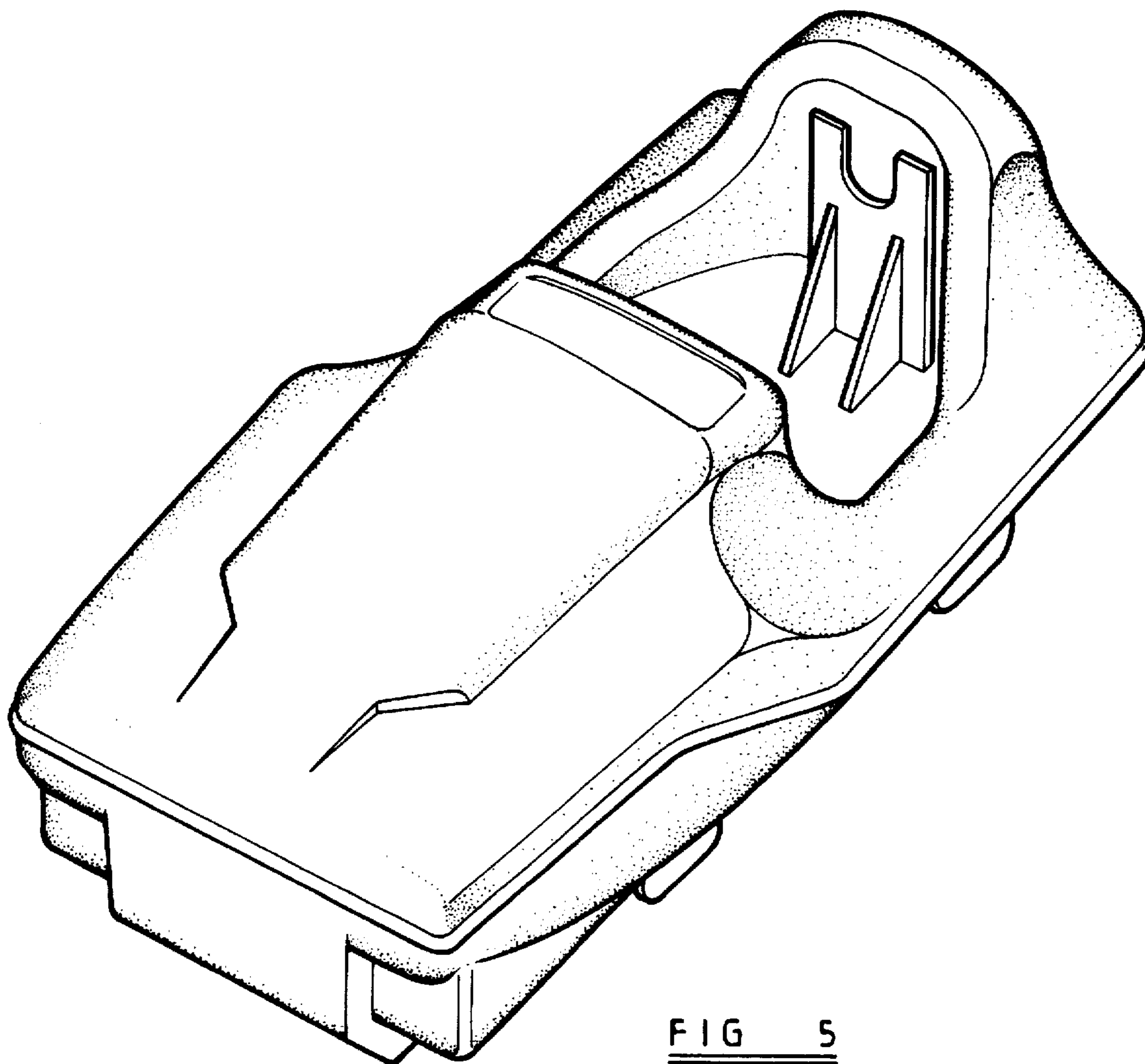


FIG 5