



US00D395089S

United States Patent [19]
Current

[11] **Patent Number:** **Des. 395,089**
[45] **Date of Patent:** ****Jun. 9, 1998**

[54] **EXTRUDED SLATWALL SECTION**

4,607,753 8/1986 Radek 211/94.01
4,615,448 10/1986 Johnstonbaugh D25/138
4,805,783 2/1989 Mayer 211/94.01

[75] **Inventor:** **Wayne A. Current, Holmdel, N.J.**

[73] **Assignee:** **International Visual Corporation, Port Washington, N.Y.**

Primary Examiner—Doris Clark
Attorney, Agent, or Firm—Collard & Roe, P.C.

[**] **Term:** **14 Years**

[57] **CLAIM**

[21] **Appl. No.:** **70,988**

The ornamental design for an extruded slatwall section, as shown and described.

[22] **Filed:** **May 16, 1997**

DESCRIPTION

[51] **LOC (6) Cl.** **25-01**

[52] **U.S. Cl.** **D25/123**

[58] **Field of Search** D25/138, 58, 123,
D25/125; 211/94.01, 162, 189, 186; D6/449,
457, 471, 466, 467, 332, 591, 509

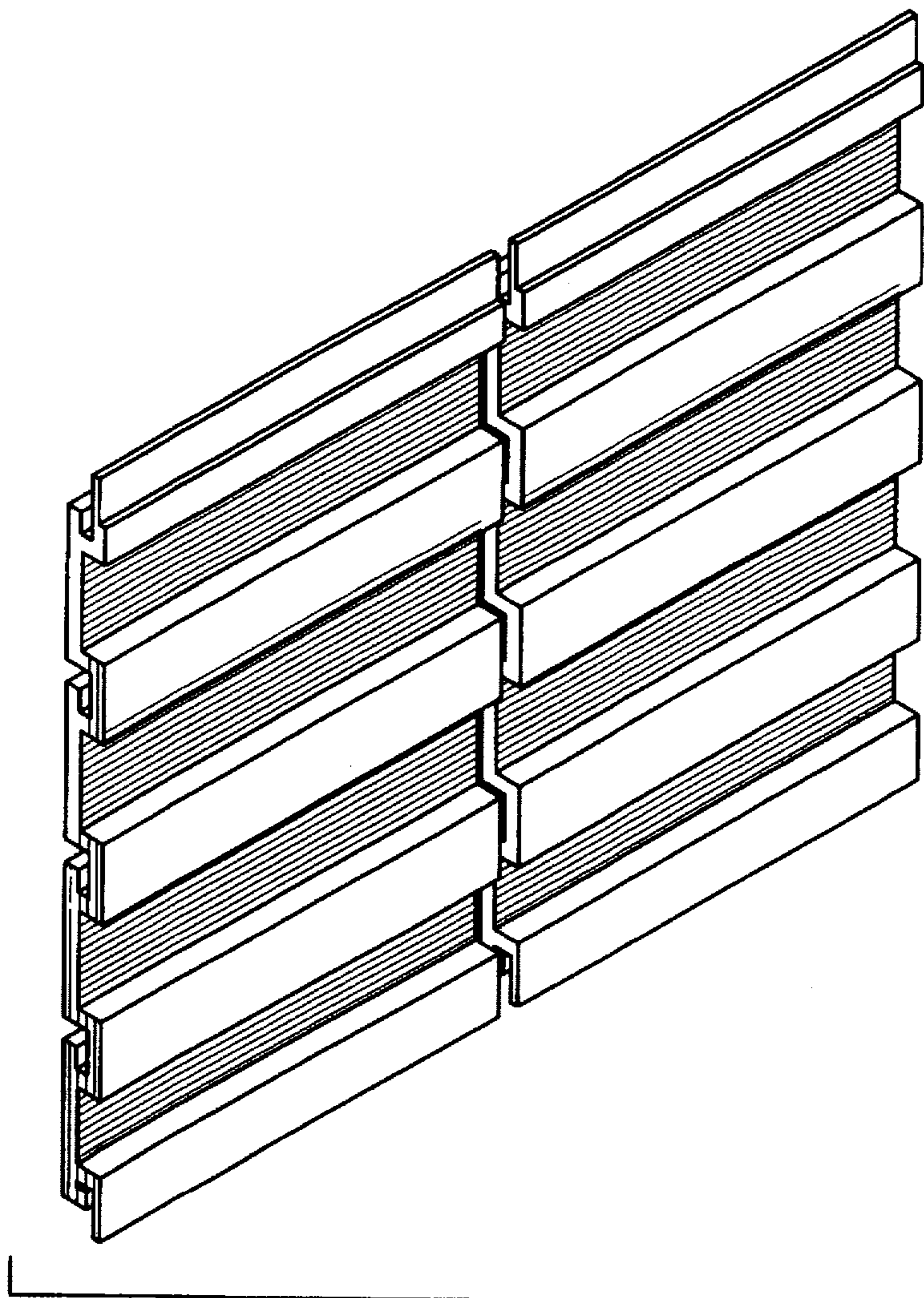
FIG. 1 is a front perspective view of an extruded slatwall section showing my new design;
FIG. 2 is a rear perspective view thereof;
FIG. 3 is a front view thereof;
FIG. 4 is a right side view thereof;
FIG. 5 is a back view thereof;
FIG. 6 is a left side view thereof;
FIG. 7 is a top plan view thereof; and,
FIG. 8 is a bottom plan view thereof.

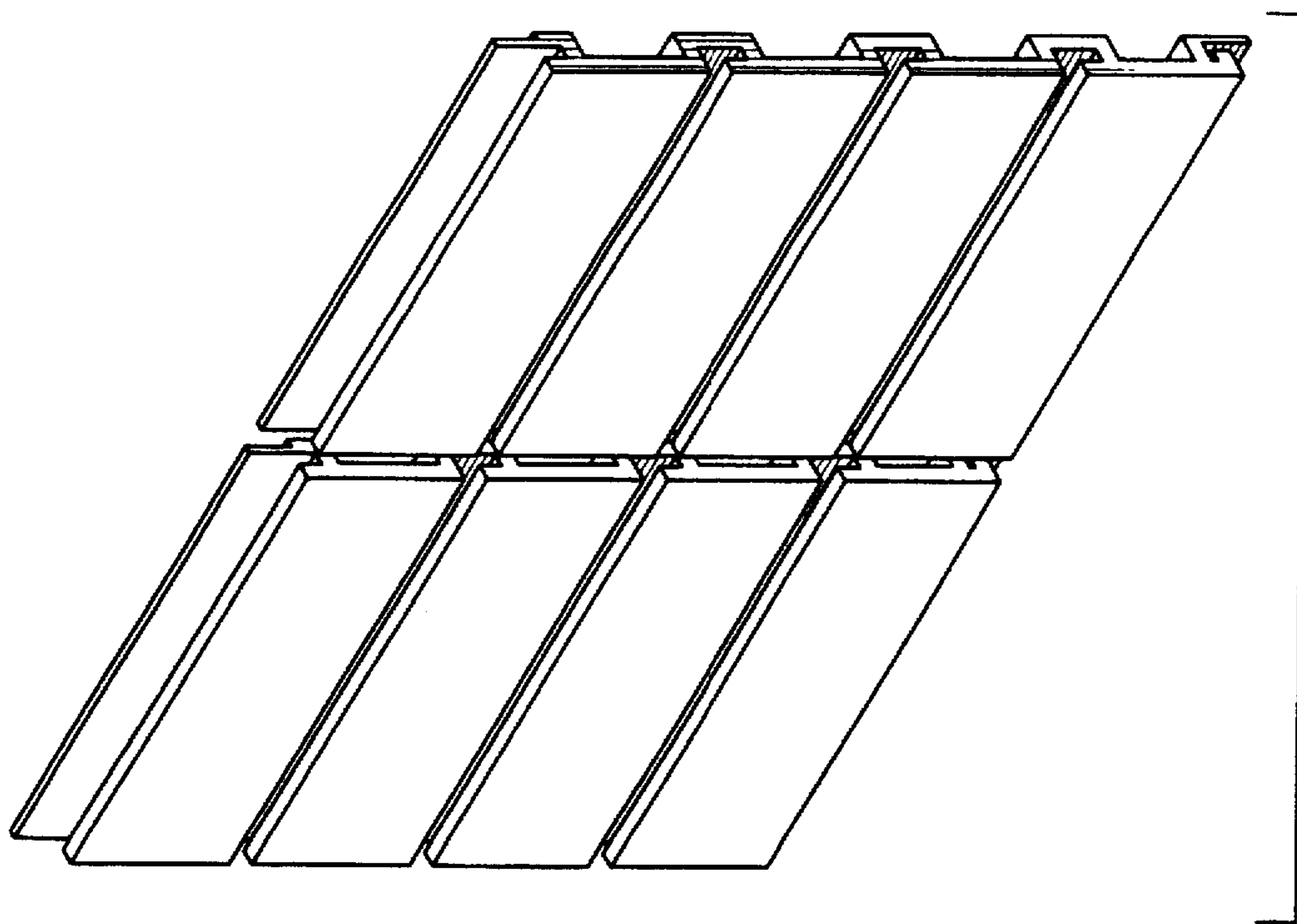
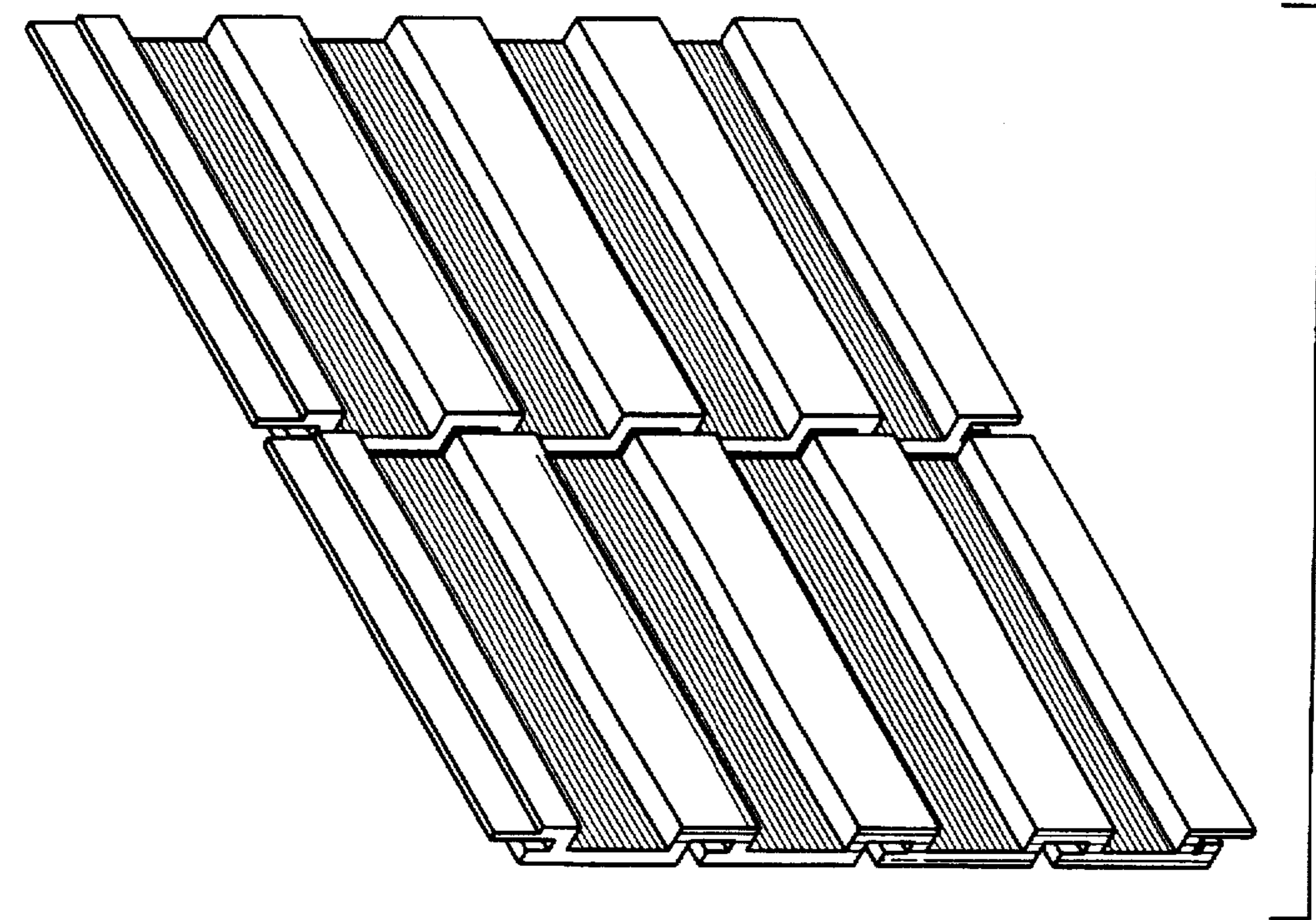
[56] **References Cited**

U.S. PATENT DOCUMENTS

D. 307,260 4/1990 Happy et al. D25/138
4,591,058 5/1986 Amstutz et al. 211/94.01

1 Claim, 2 Drawing Sheets





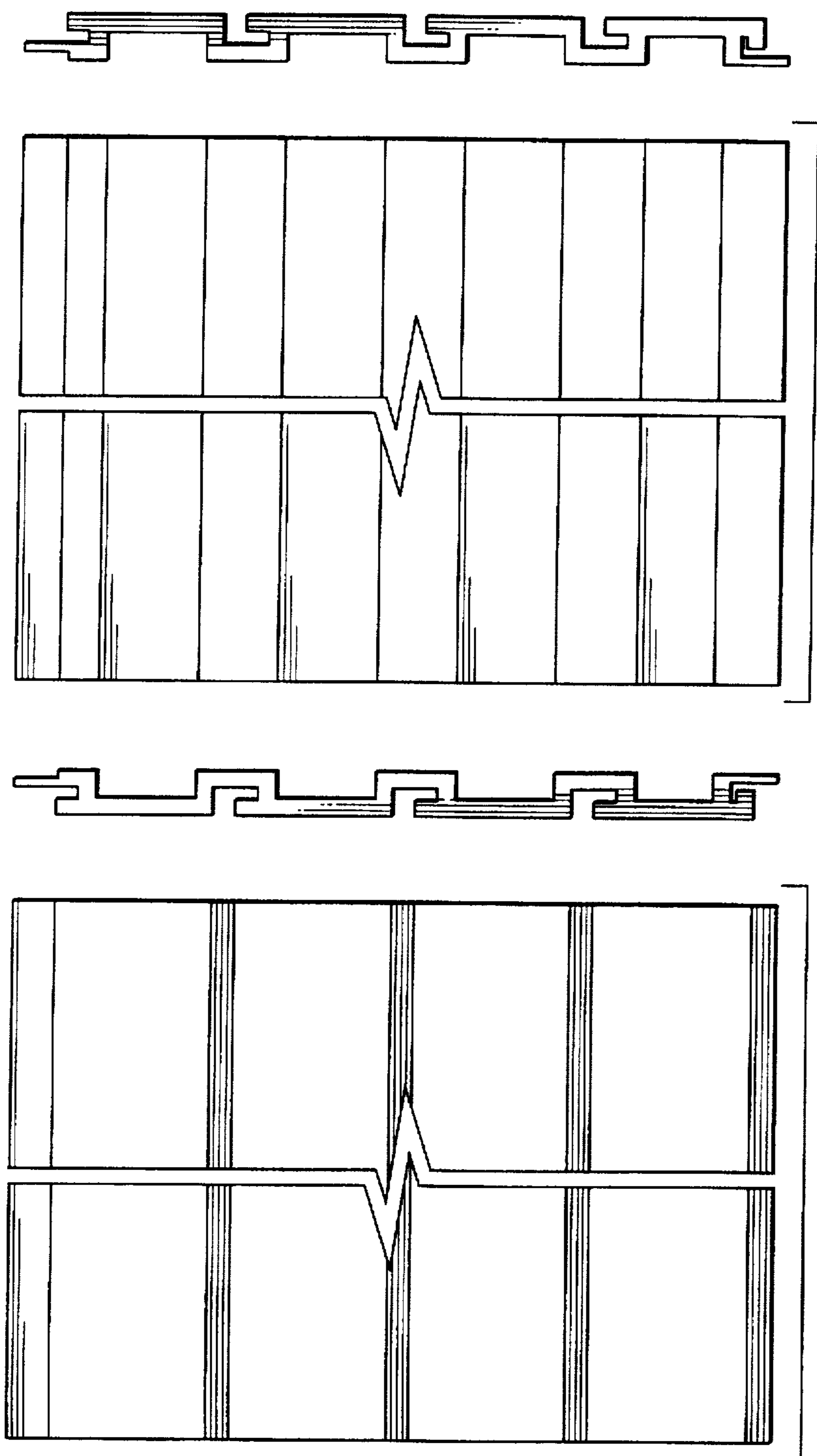


Fig. 6

Fig. 5

Fig. 4

Fig. 3



Fig. 8



Fig. 7