



US00D395085S

United States Patent [19]

Kenley et al.

[11] Patent Number: **Des. 395,085**

[45] Date of Patent: ****Jun. 9, 1998**

[54] **DIALYSIS MACHINE**

[75] Inventors: **Rodney S. Kenley**, Libertyville; **Russell L. Sage**, McHenry; **William C. Cesaroni**, Glenview; **Shawn O. Barrett**, Grayslake; **Jack B. Hough**, Chicago; **Michael D. Peters**, West Bend; **Dawn Matthews**, Grayslake; **Dennis M. Treu**, Gurnee; **Steven J. Wroblewski**, Darien; **Thomas M. Feldsien**, Island Lake; **Anthony M. Anello**, Bartlett; **Wayne F. Adolf**, Mount Prospect; **Lori A. Plummer**, Spring Grove, all of Ill.

[73] Assignee: **AKSYS, Ltd.**, Lincolnshire, Ill.

[**] Term: **14 Years**

[21] Appl. No.: **70,062**

[22] Filed: **Apr. 25, 1997**

Related U.S. Application Data

[63] Continuation-in-part of Ser. No. 52,303, Apr. 1, 1996, Pat. No. Des. 383,842.

[51] **LOC (6) Cl.** **24-01**

[52] **U.S. Cl.** **D24/169**

[58] **Field of Search** **D24/169, 186; 210/645, 646, 321.71, 321.65; 364/510**

[56] **References Cited**

U.S. PATENT DOCUMENTS

D. 219,565	12/1970	Pecker et al.	D24/169
D. 234,878	4/1975	Sikes	D24/169
D. 349,861	8/1994	Kanewske et al.	D24/186 X
D. 383,842	9/1997	Kenley et al.	D24/169
5,326,476	7/1994	Grogan et al.	210/646

Primary Examiner—Stella Reid

Attorney, Agent, or Firm—McDonnell Boehnen Hulbert & Berghoff

[57] **CLAIM**

The ornamental design for a dialysis machine, as shown and described.

DESCRIPTION

FIG. 1 is a perspective view of a dialysis machine, showing our new design;

FIG. 2 is a side elevational view thereof;

FIG. 3 is a front elevational view thereof;

FIG. 4 is a side elevational view thereof, opposite that shown in FIG. 2;

FIG. 5 is a rear elevational view; and,

FIG. 6 is a top plan view thereof.

1 Claim, 3 Drawing Sheets

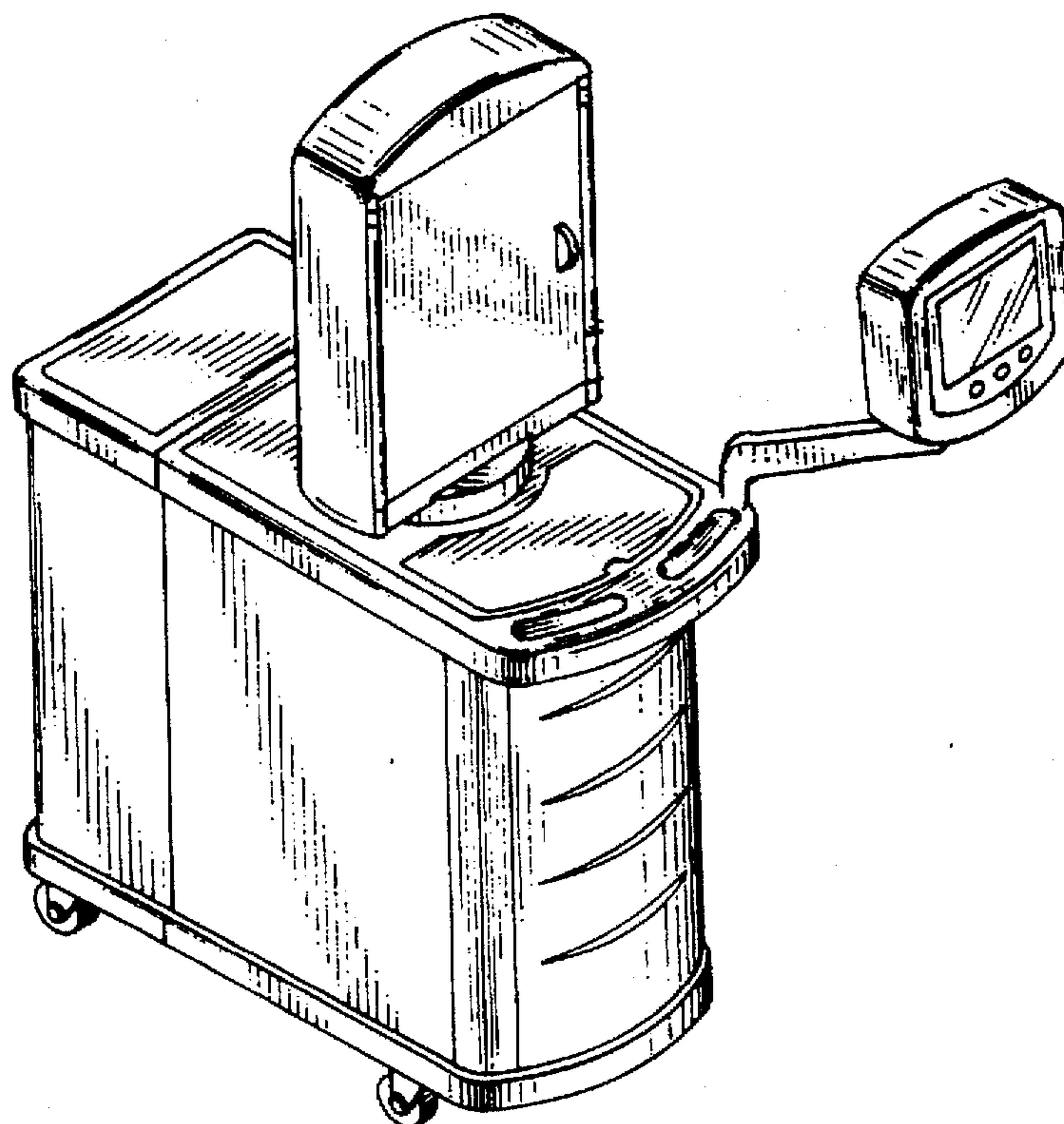


FIG.1

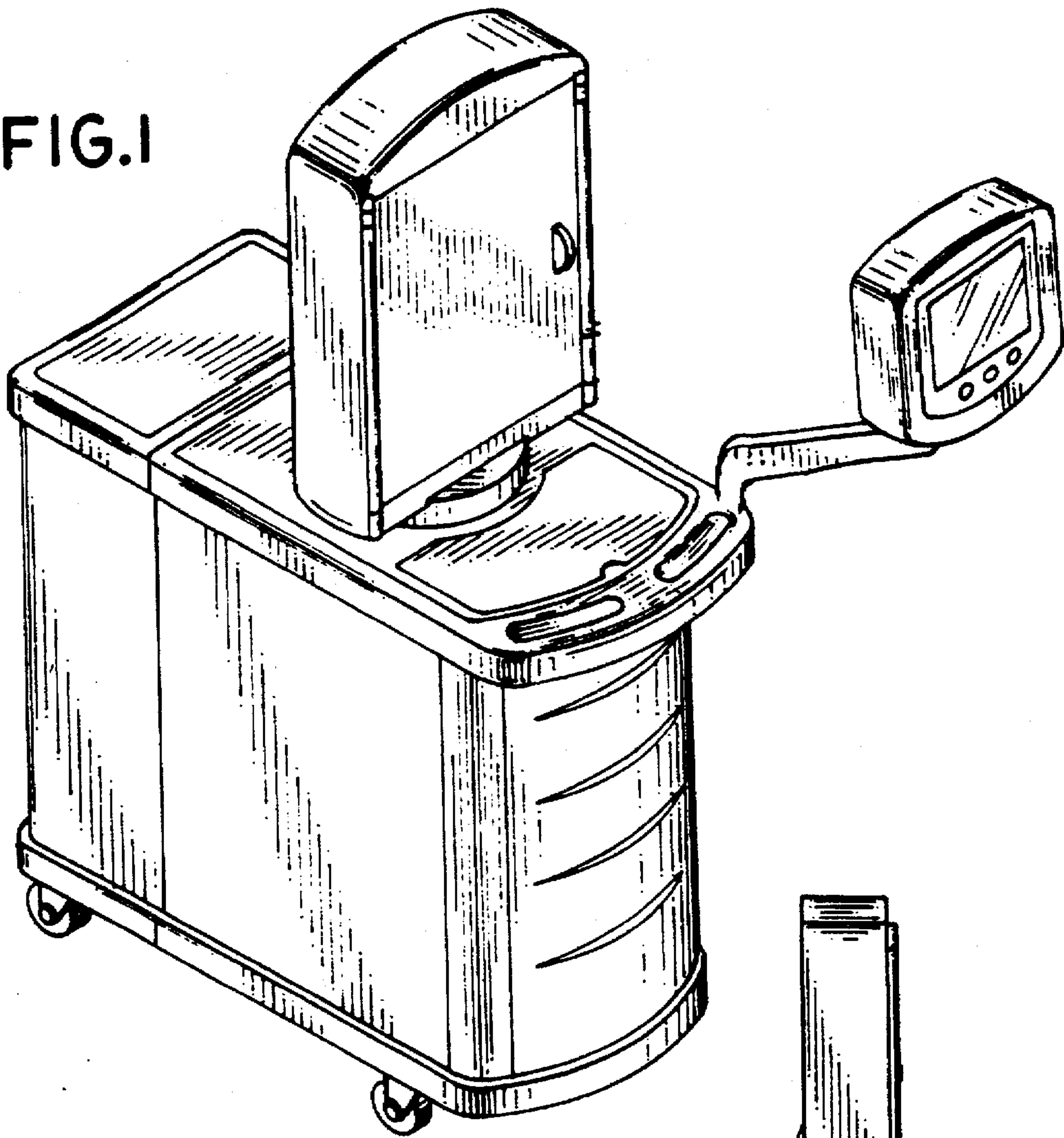
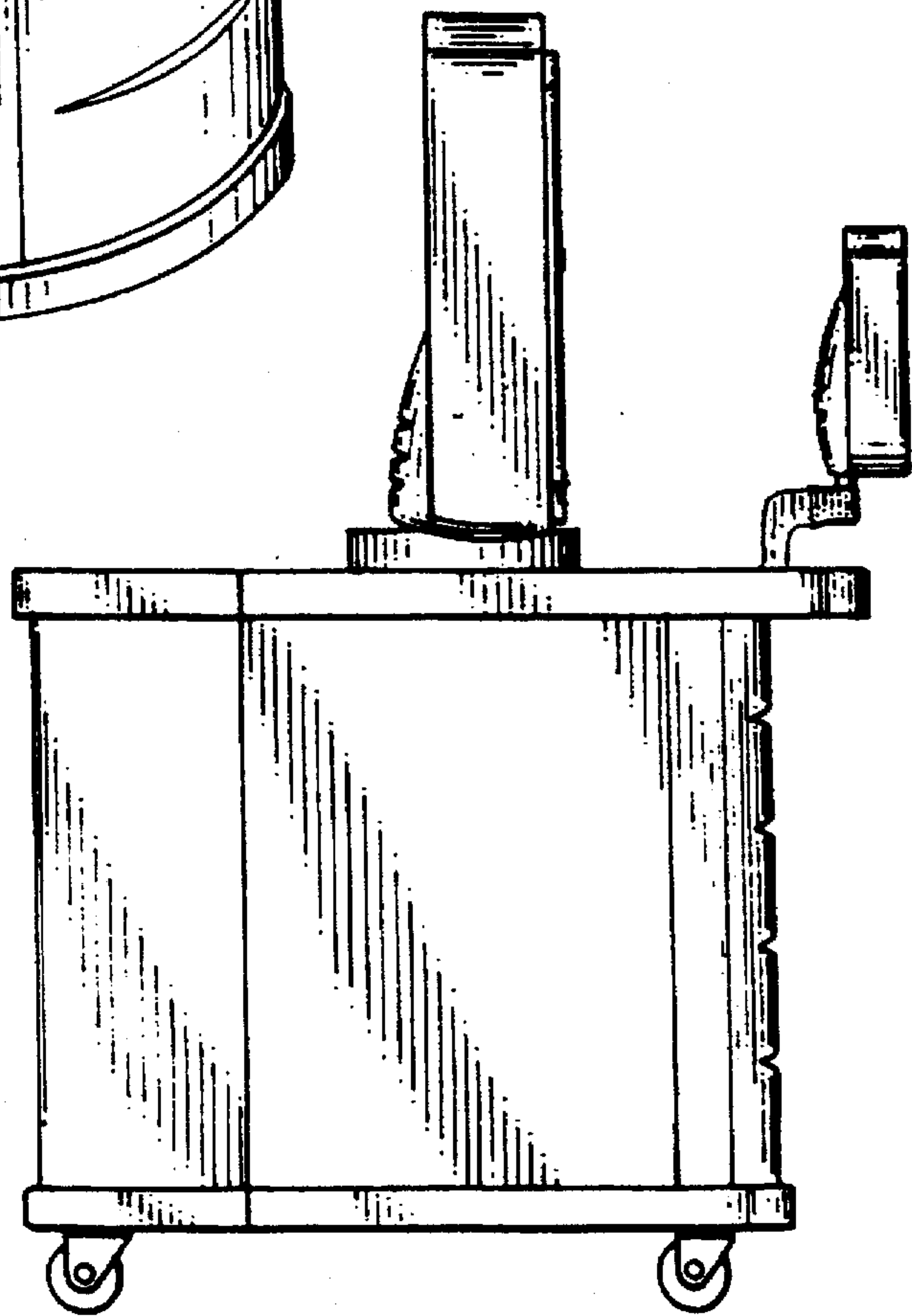


FIG.2



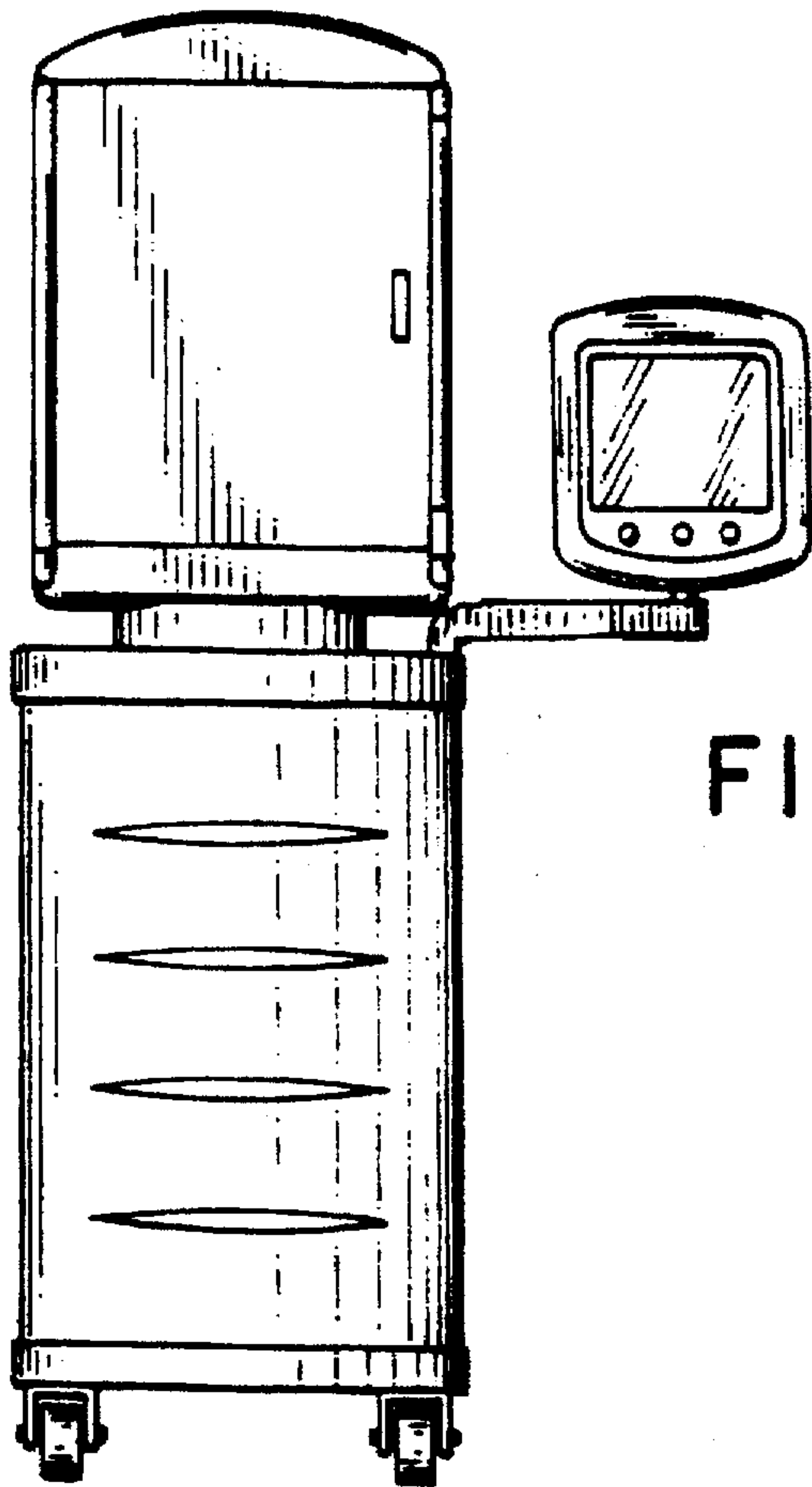


FIG.3

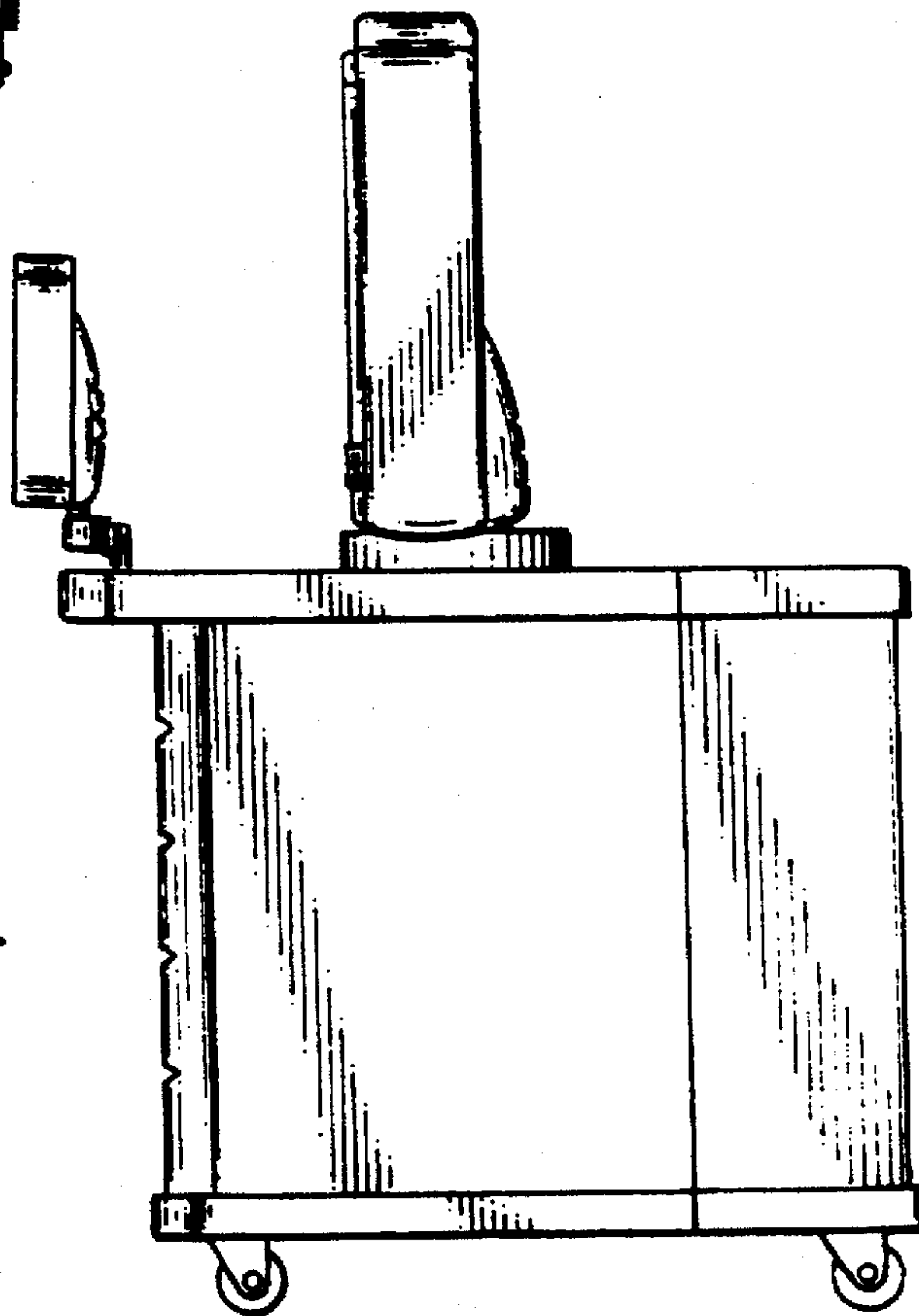


FIG.4

FIG. 5

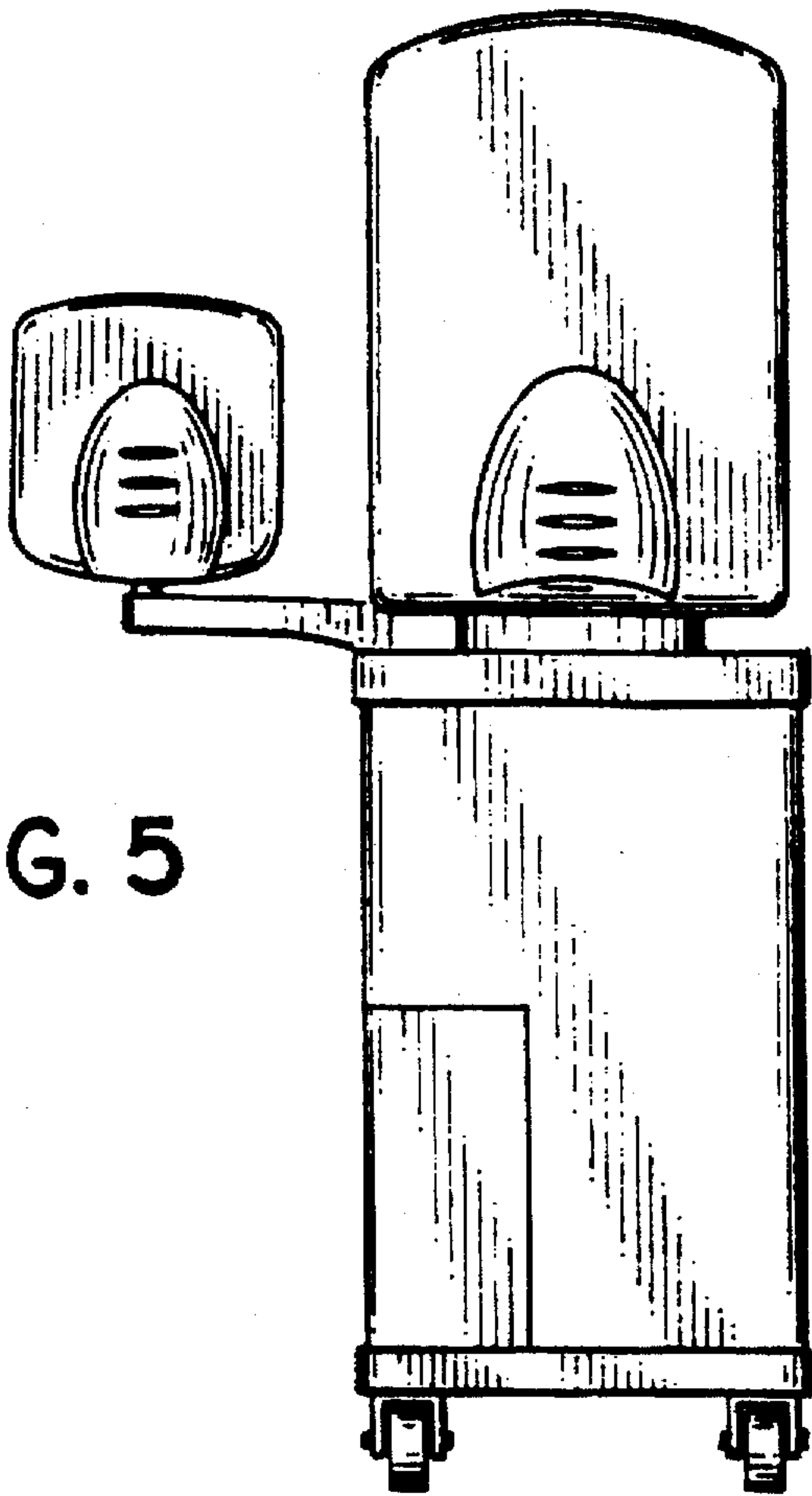


FIG. 6

