



US00D395084S

# United States Patent [19]

[11] Patent Number: **Des. 395,084**

Krauter et al.

[45] Date of Patent: **\*\*Jun. 9, 1998**

[54] VIDEO COLPOSCOPE WITH VERTICAL POLE SUPPORTING FIXTURE

3,994,288	11/1976	Stumpf .....	600/107
4,134,637	1/1979	Leisegang .....	606/107
4,491,131	1/1985	Vassiliadis .....	606/109

[75] Inventors: **Allan I. Krauter**, Syracuse; **Michael Kehoskie**, Jordan; **Susan E. Reilly**, Syracuse; **Scott Ryan**, Skaneateles; **Deborah A. Laun**; **Frank J. Witkowski, III**, both of Syracuse, all of N.Y.

*Primary Examiner*—Doris Clark  
*Attorney, Agent, or Firm*—Wall Marjama & Bilinski

[73] Assignee: **Welch Allyn, Inc.**, Skaneateles Falls, N.Y.

### [57] CLAIM

The ornamental design for a video colposcope with vertical pole supporting fixture, as shown and described.

[\*\*] Term: **14 Years**

### DESCRIPTION

[21] Appl. No.: **62,354**

FIG. 1 is a side perspective view of the video colposcope with a vertical pole supporting fixture showing our new design;

[22] Filed: **Nov. 13, 1996**

FIG. 2 is a left side elevational view;

[51] LOC (6) Cl. .... **24-02**

FIG. 3 is a front elevational view;

[52] U.S. Cl. .... **D24/137**

FIG. 4 is a right side elevational view;

[58] Field of Search ..... **D24/137, 138, D24/128, 144; 600/109, 112, 160, 101, 107, 102; 128/749, 778**

FIG. 5 is a rear elevational view;

FIG. 6 is a top plan view; and,

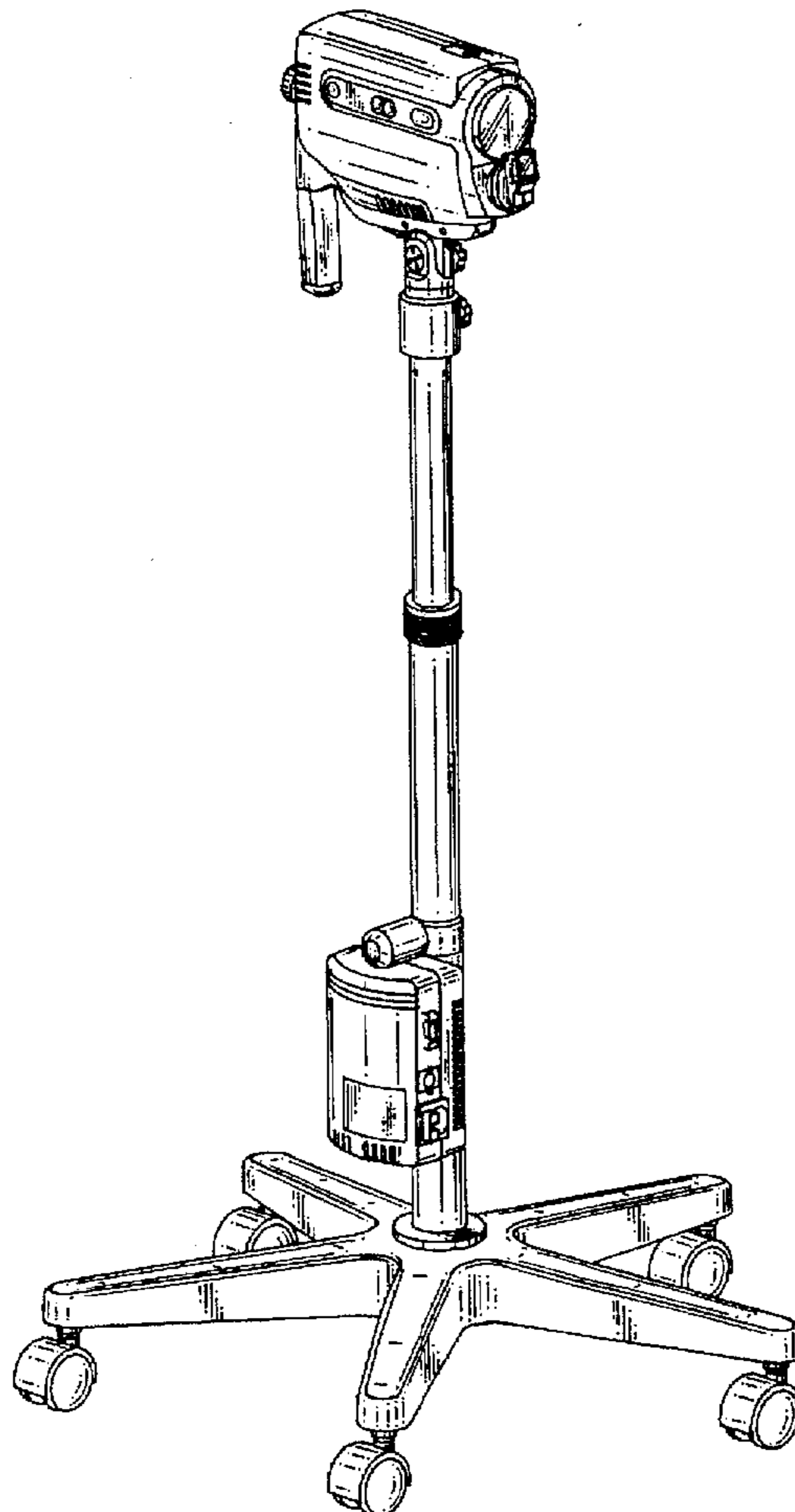
FIG. 7 is a bottom plan view.

### [56] References Cited

#### U.S. PATENT DOCUMENTS

D. 202,552 10/1965 Krauter et al. .... D24/137

**1 Claim, 7 Drawing Sheets**



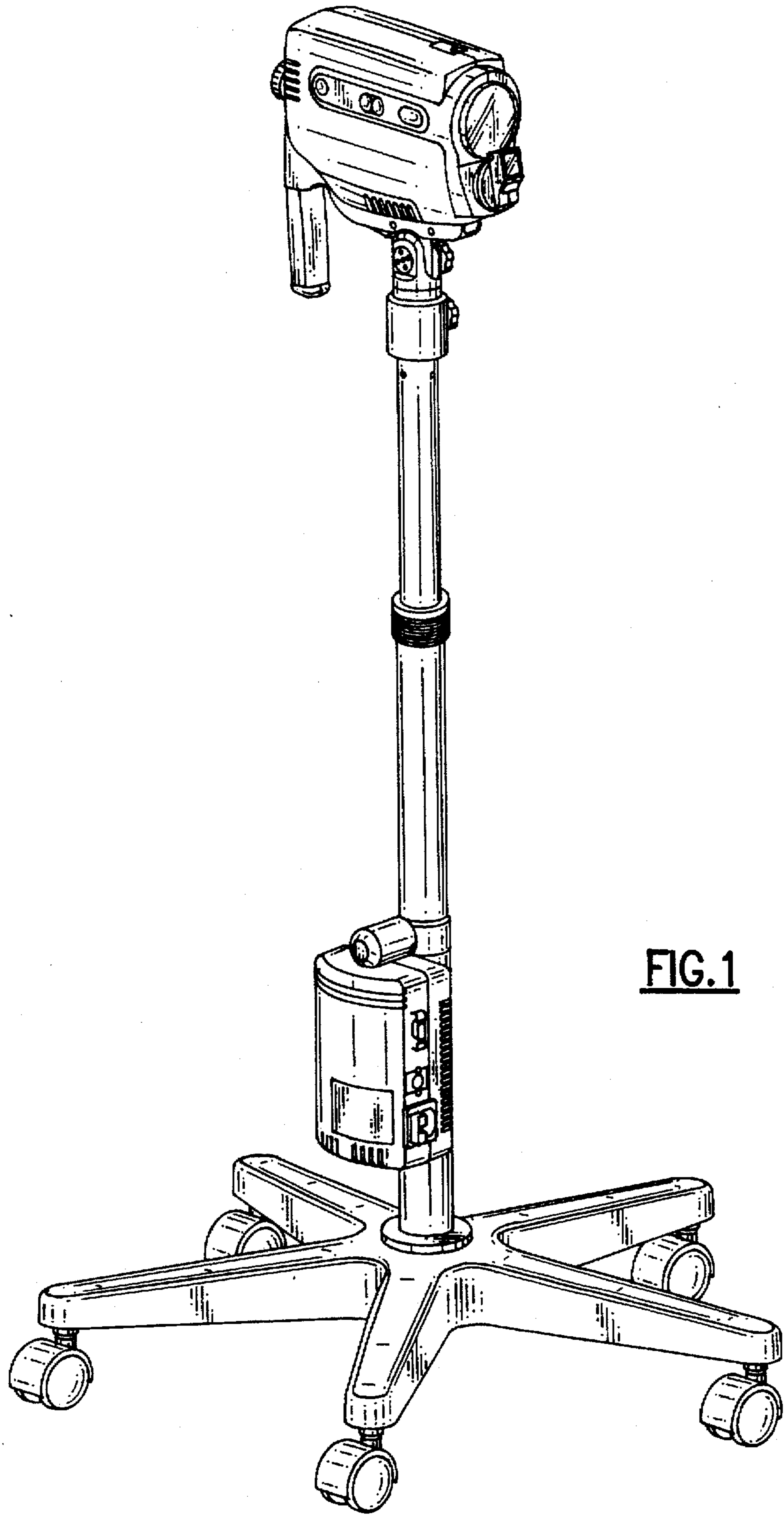


FIG. 1

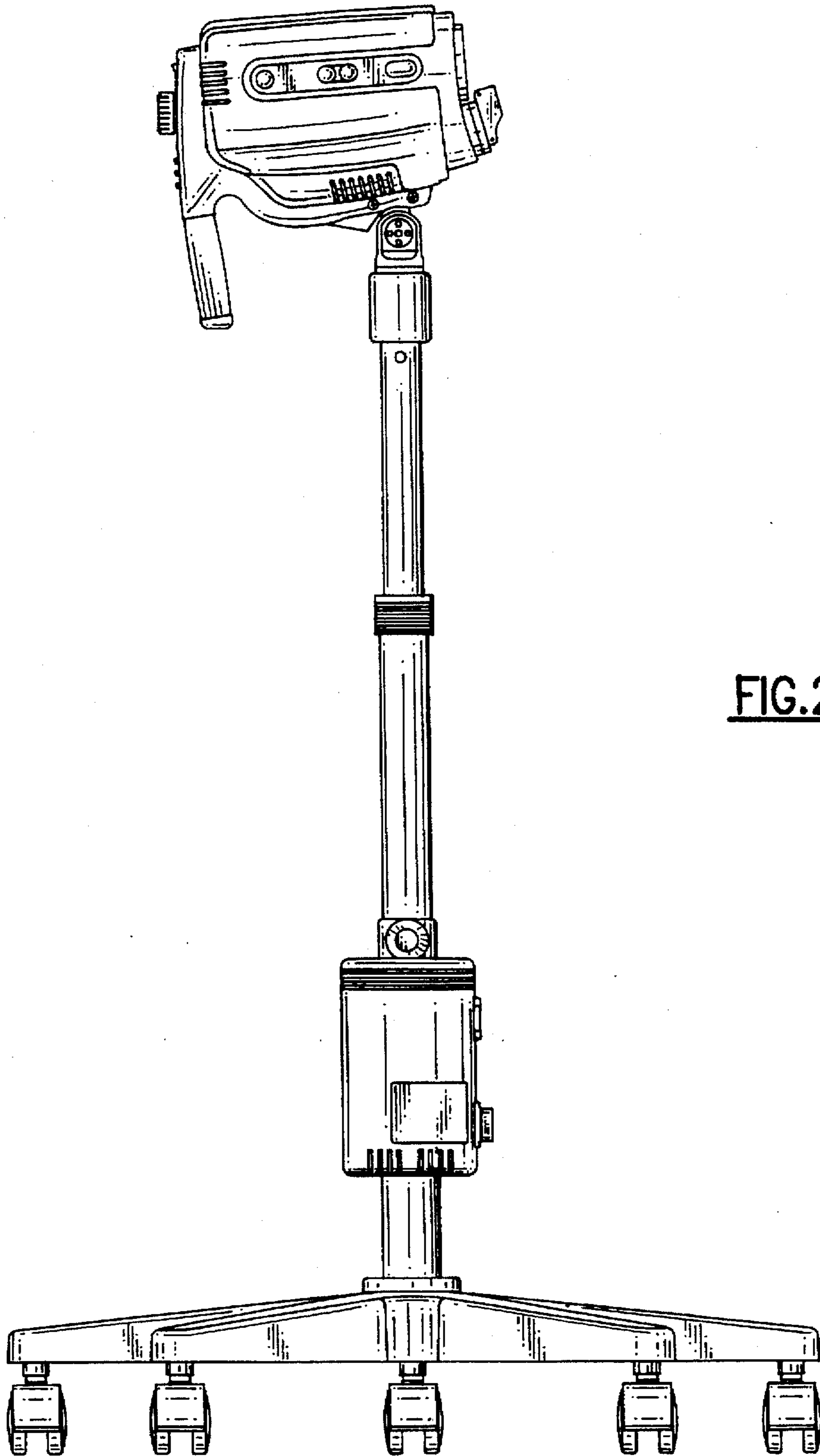
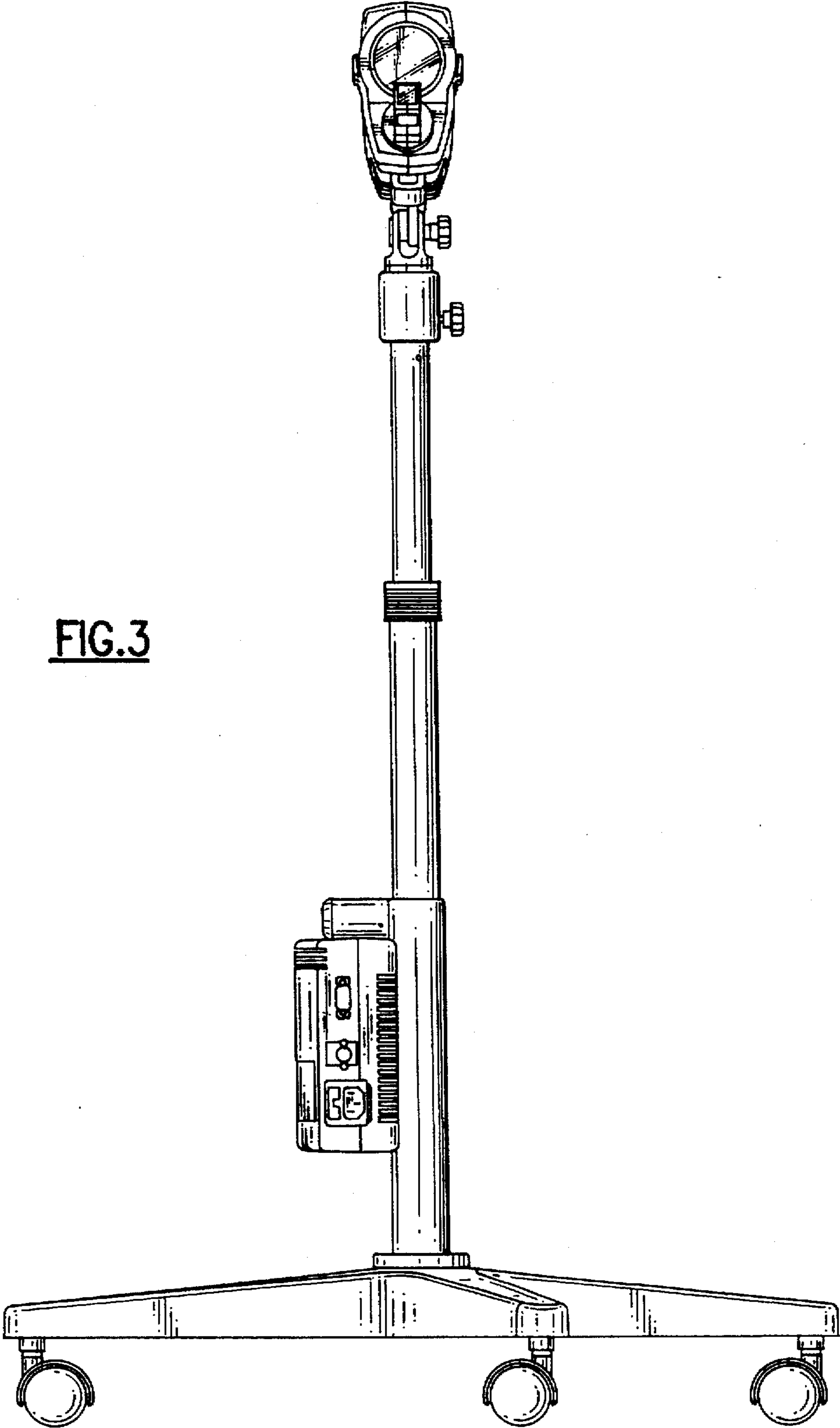


FIG. 2

FIG.3



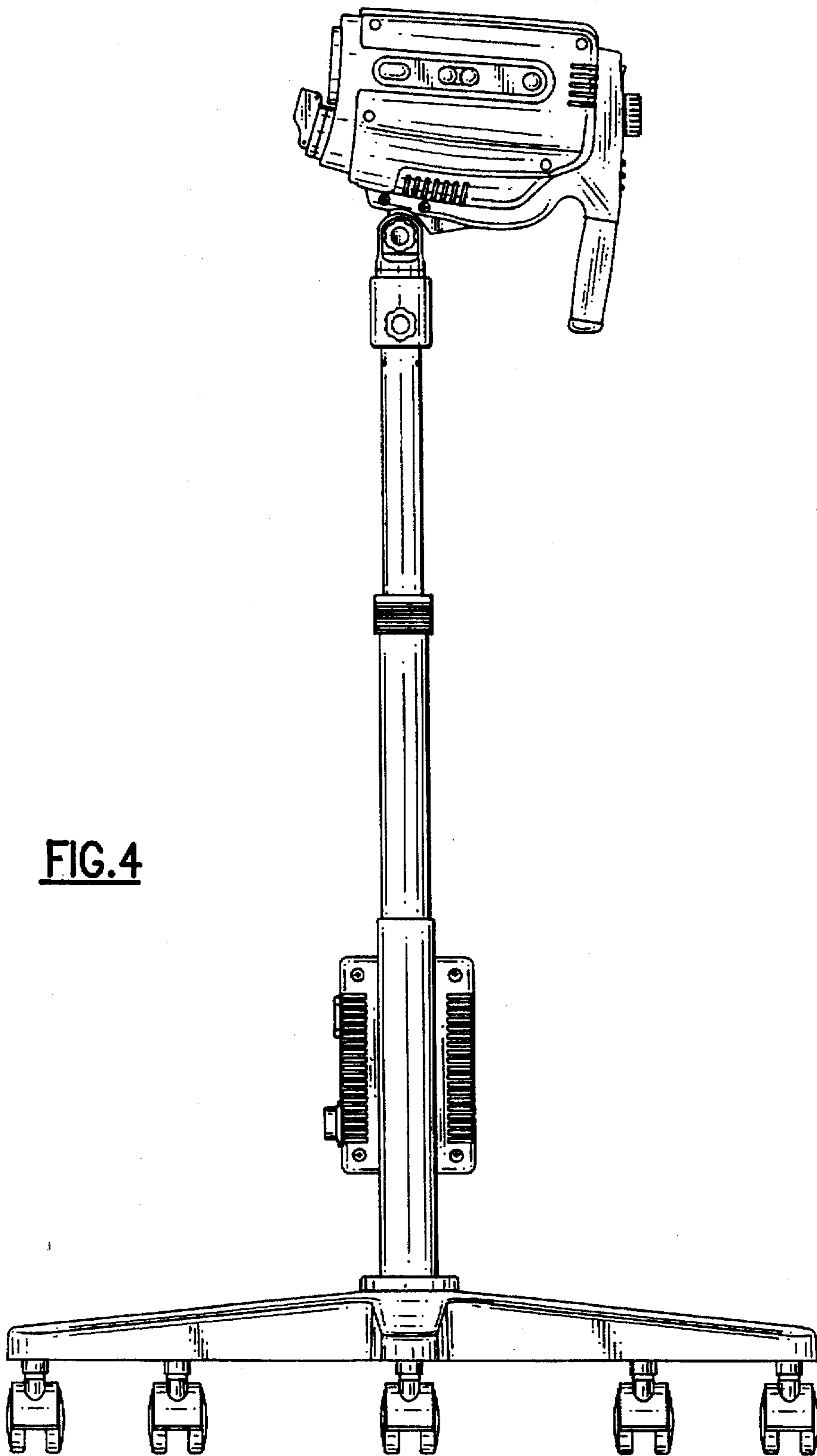


FIG. 4

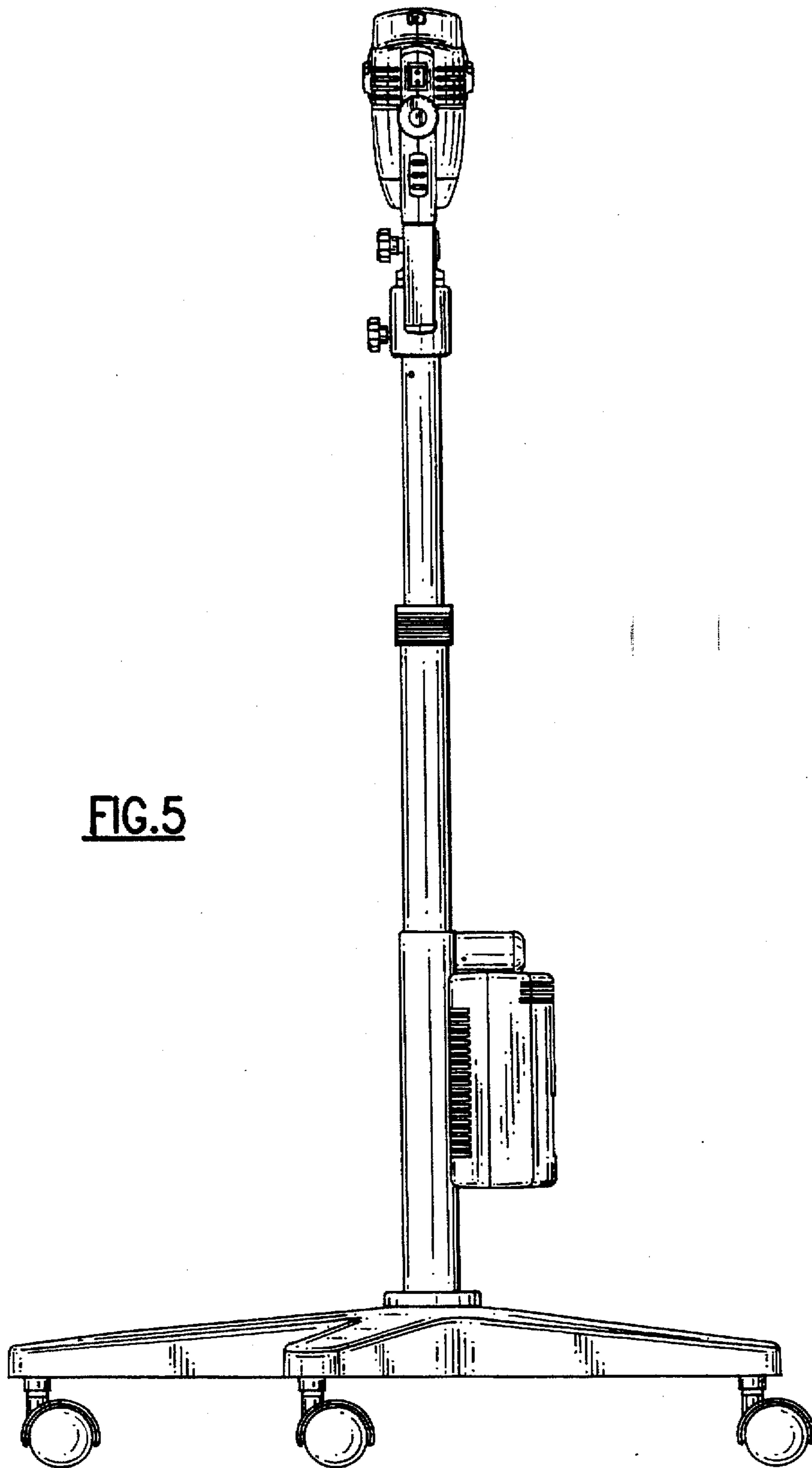


FIG.5

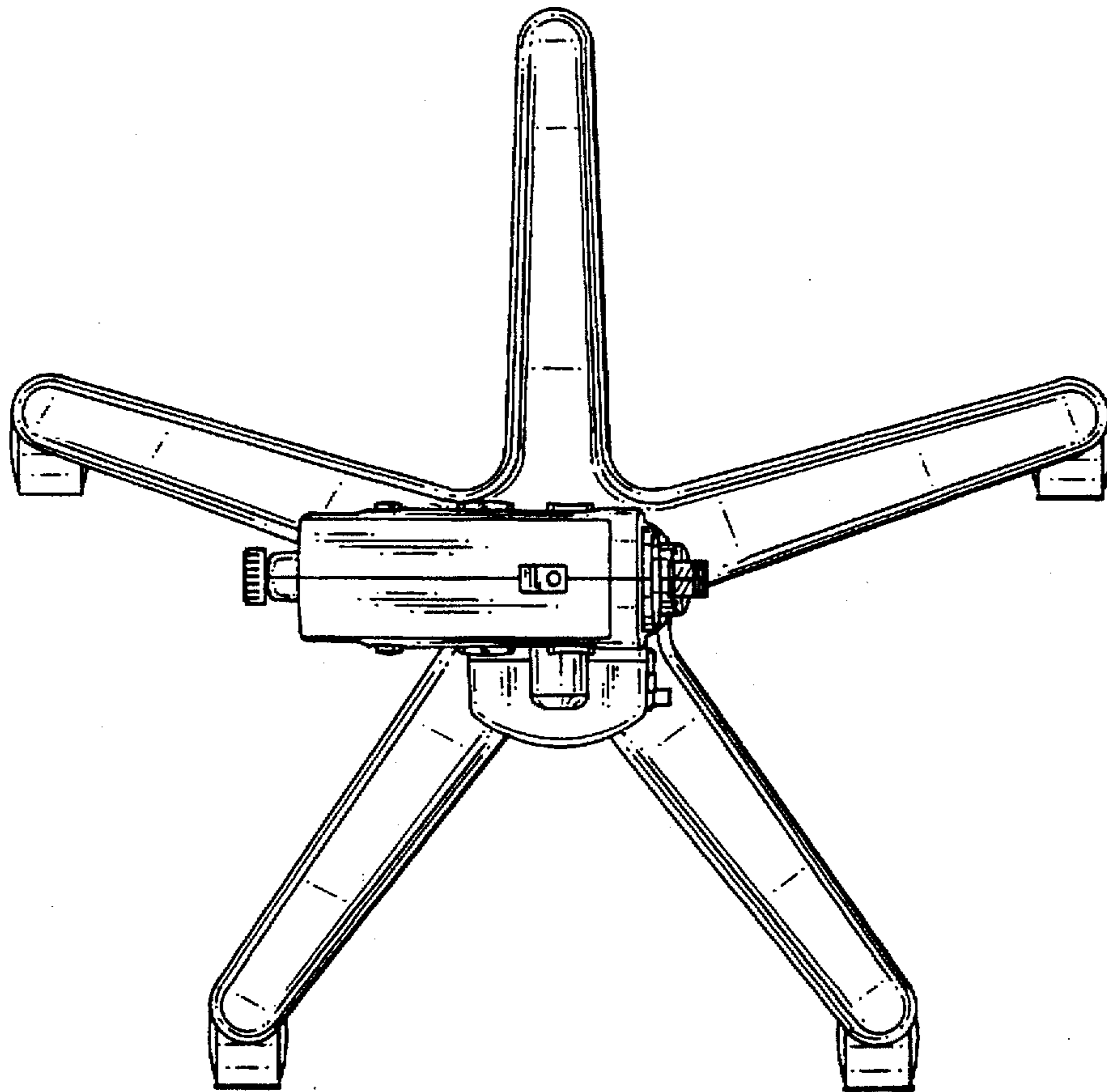


FIG.6

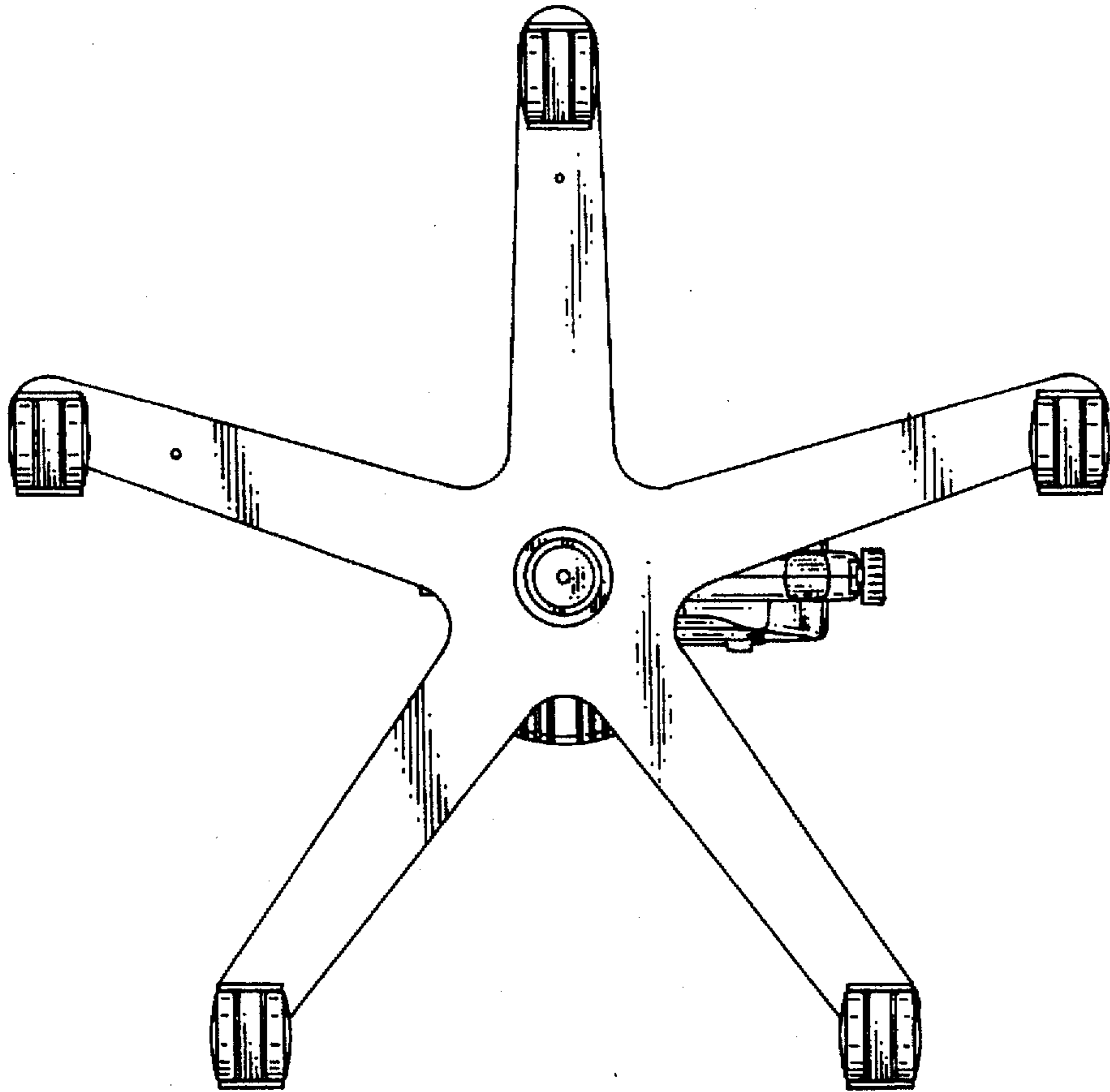


FIG. 7