



US00D395082S

United States Patent [19]

Edgson et al.

[11] Patent Number: **Des. 395,082**

[45] Date of Patent: ****Jun. 9, 1998**

[54] **INSERT FOR UREA SENSOR**

4,946,443 8/1990 Hauser et al. D24/112 X

[75] Inventors: **Raymond Edgson**, Milton, England; **Bo Olde**; **Lars-Fride Olsson**, both of Lund, Sweden

Primary Examiner—Louis S. Zarfes
Assistant Examiner—Eric Watterson
Attorney, Agent, or Firm—Lerner, David, Littenberg, Krumholz & Mentlik

[73] Assignee: **Gambro AB**, Sweden

[57] **CLAIM**

[**] Term: **14 Years**

The ornamental design for an insert for urea sensor, as shown and described.

[21] Appl. No.: **44,863**

DESCRIPTION

[22] Filed: **Oct. 2, 1995**

[30] **Foreign Application Priority Data**

Apr. 10, 1995 [SE] Sweden 95.0746

[51] **LOC (6) Cl.** **24-02**

[52] **U.S. Cl.** **D24/108**

[58] **Field of Search** D24/112, 133,
D24/128, 138, 108; 285/322; 204/403,
415, 402; 205/780.5

FIG. 1 is a rear, perspective view of an insert according to our invention;

FIG. 2 is a front, perspective view of the insert shown in FIG. 1;

FIG. 3 is a right, side, elevational view of the insert shown in FIG. 1;

FIG. 4 is a bottom, elevational view of the insert shown in FIG. 1;

FIG. 5 is a left, side, elevational view of the insert shown in FIG. 1;

FIG. 6 is a top, elevational view of the insert shown in FIG. 1;

FIG. 7 is a front, elevational view of the insert shown in FIG. 2; and,

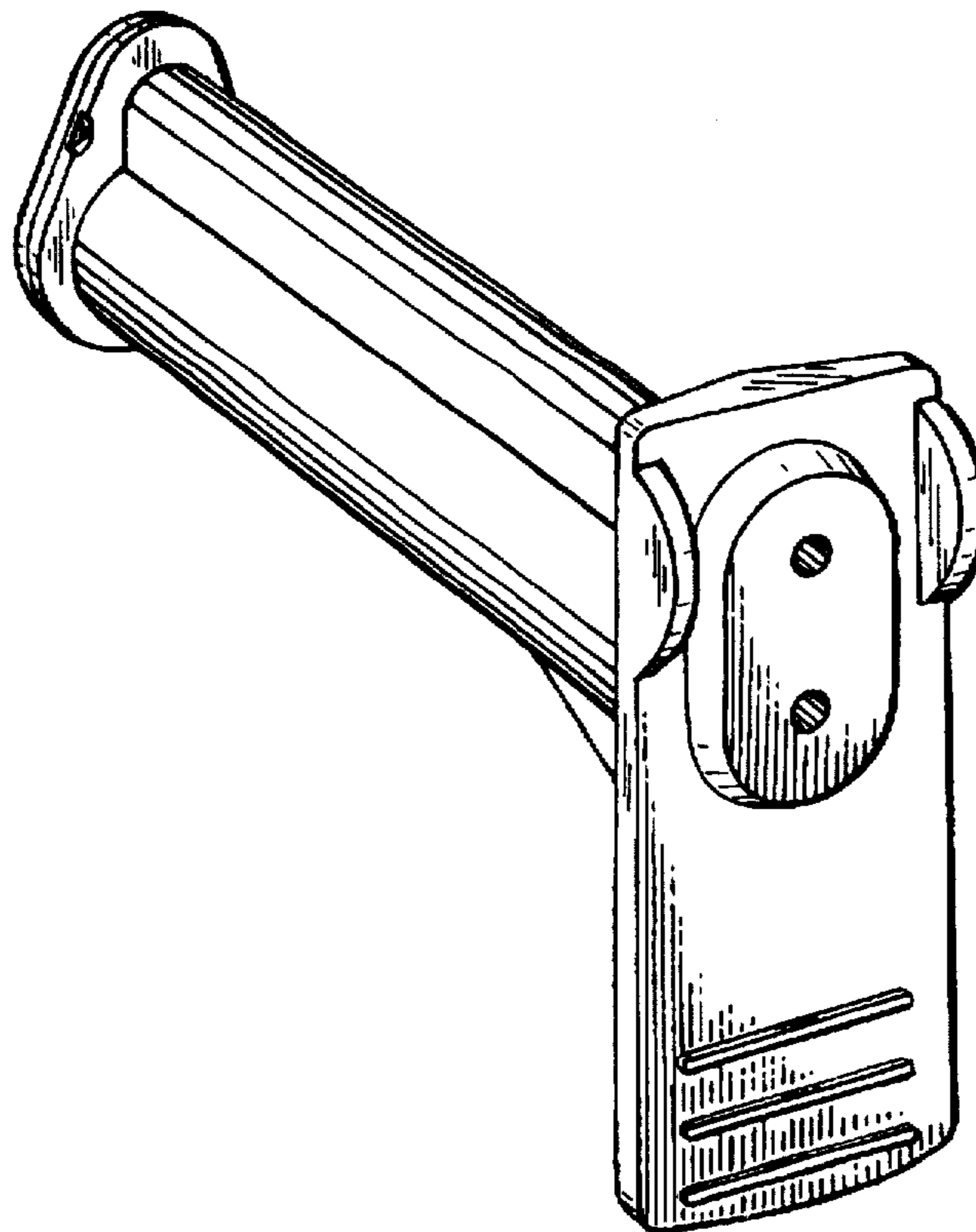
FIG. 8 is a rear, elevational view of the insert shown in FIG. 7.

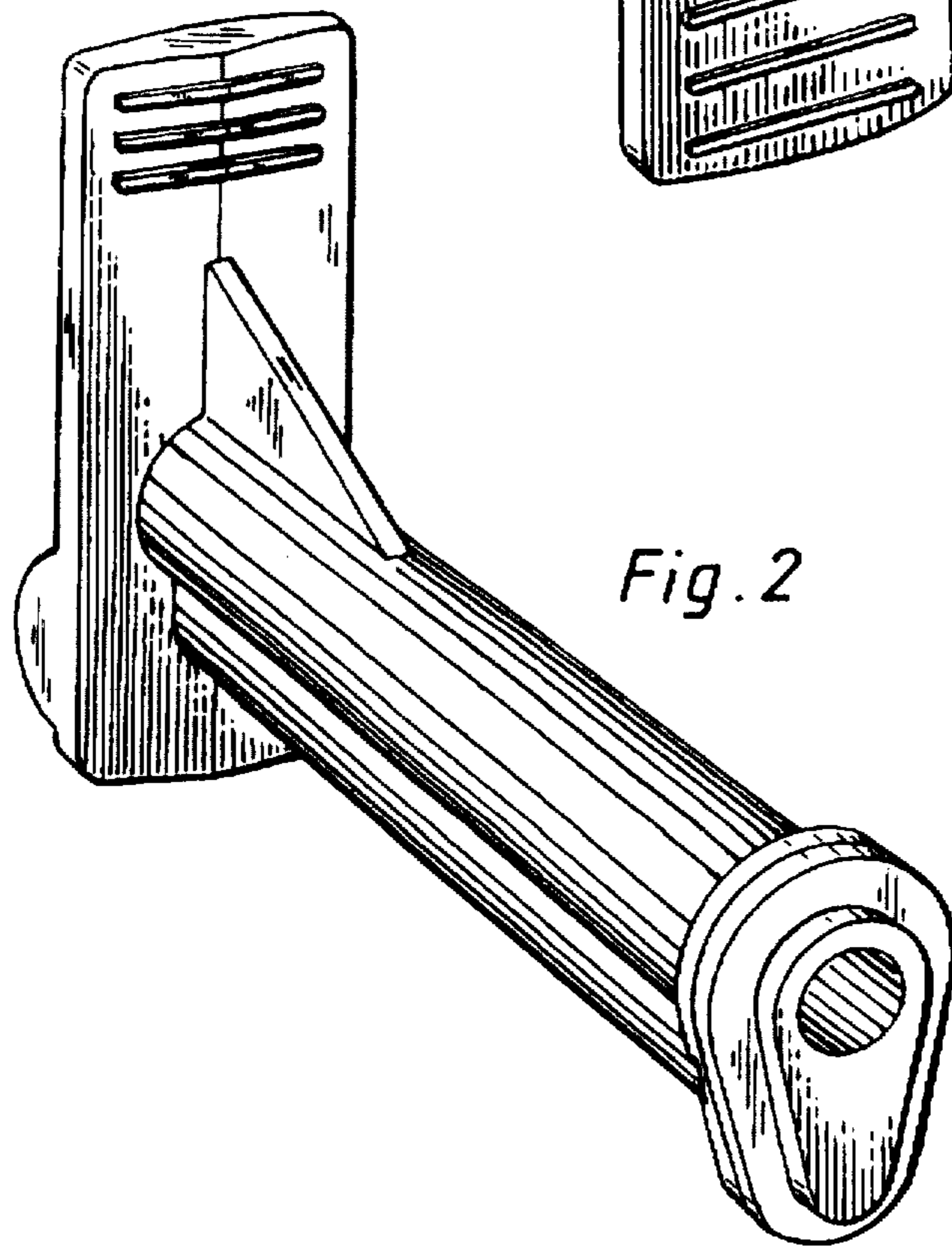
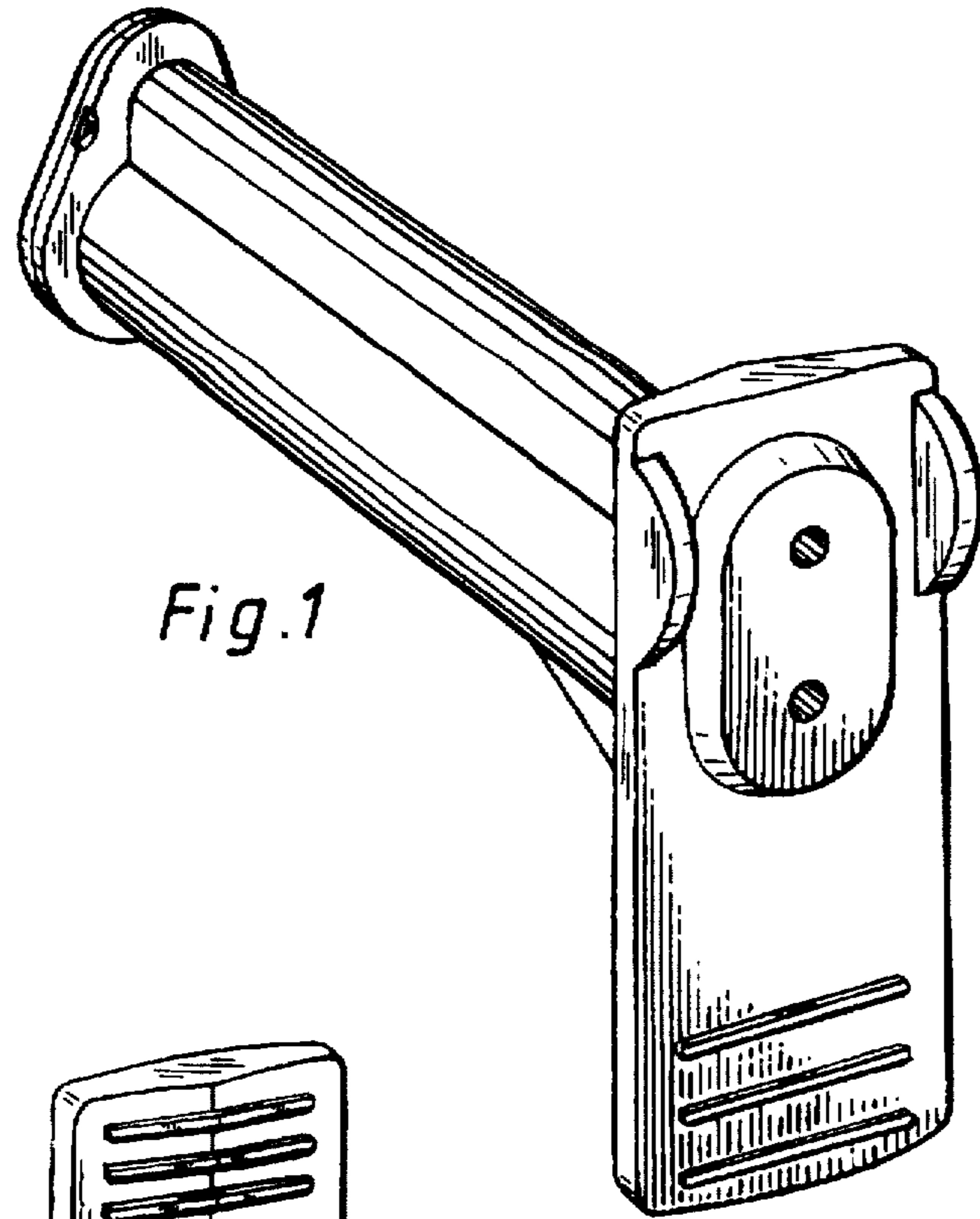
[56] **References Cited**

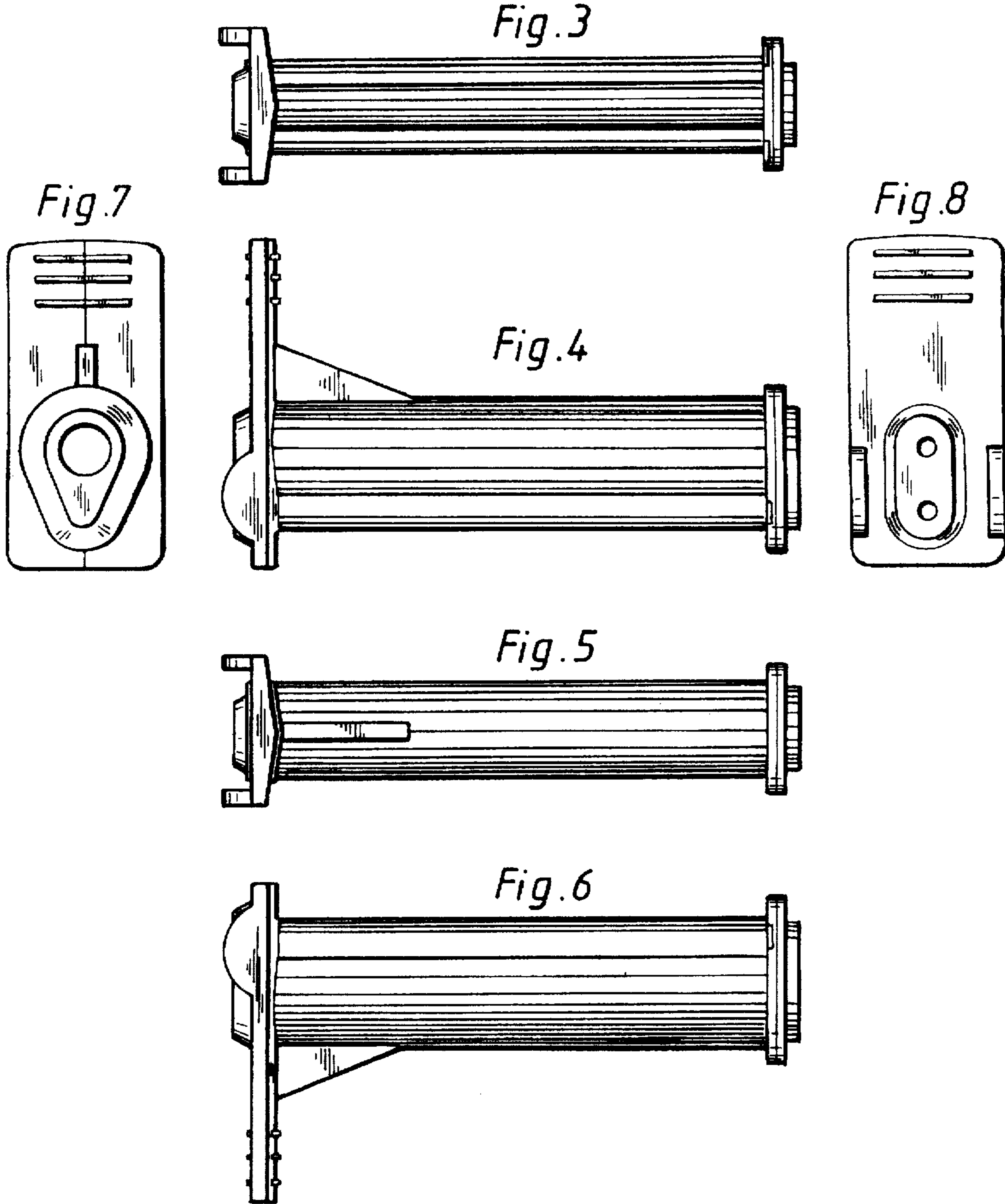
U.S. PATENT DOCUMENTS

- D. 328,787 8/1992 Picha D24/108
- D. 333,182 2/1993 Yoshikawa D24/133
- D. 335,534 5/1993 Hirsch et al. D24/108
- D. 345,208 3/1994 Fanlo D24/108
- D. 372,311 7/1996 Koros et al. D24/108 X
- D. 382,639 8/1997 Musgrave et al. D24/129

1 Claim, 2 Drawing Sheets







UNITED STATES PATENT AND TRADEMARK OFFICE
CERTIFICATE OF CORRECTION

PATENT NO. : Des. 395,082
DATED : June 9, 1998
INVENTOR(S) : Edgson et al.

It is certified that error appears in the above-identified patent and that said Letters Patent is hereby corrected as shown below:

On the cover page at:

[75] "Milton, England" should read Milton, --Cambridge,--
England;

Signed and Sealed this
Seventeenth Day of November, 1998



Attest:

BRUCE LEHMAN

Attesting Officer

Commissioner of Patents and Trademarks