



US00D395079S

United States Patent [19] Kim

[11] Patent Number: **Des. 395,079**

[45] Date of Patent: ****Jun. 9, 1998**

[54] UNVENTED GAS LOG SET

5,388,566 2/1995 Smith et al. 126/512

[75] Inventor: **Seung-Ho Kim**, Fort Wayne, Ind.

Primary Examiner—Lisa P. Lichtenstein
Attorney, Agent, or Firm—Baker & Daniels

[73] Assignee: **The Majestic Products Company**,
Huntington, Ind.

[57] **CLAIM**

[**] Term: **14 Years**

The ornamental design for an unvented gas log set, as shown and described.

[21] Appl. No.: **26,468**

DESCRIPTION

[22] Filed: **Jul. 28, 1994**

FIG. 1 is a perspective view of an unvented gas log set showing my new design;

[51] LOC (6) Cl. **23-01**

FIG. 2 is a front view thereof;

[52] U.S. Cl. **D23/398**

FIG. 3 is a rear view thereof;

[58] Field of Search D23/398; 126/503,
126/512, 85 R

FIG. 4 is a right end view thereof;

FIG. 5 is a left end view thereof;

FIG. 6 is a top view thereof; and,

FIG. 7 is a bottom view thereof.

[56] **References Cited**

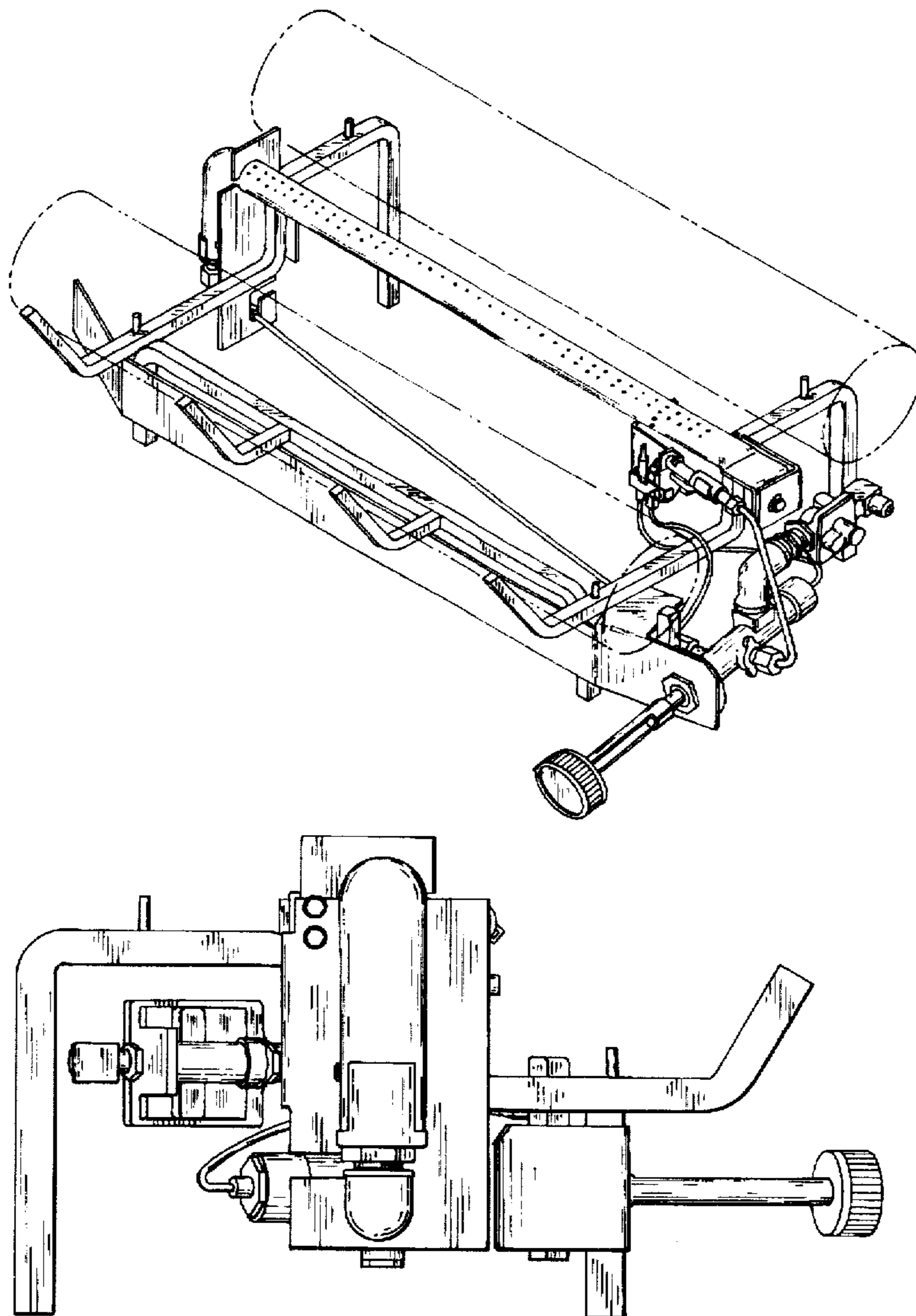
The broken line showing of logs in FIG. 1 is for illustrative purposes only and forms no part of the claimed design.

U.S. PATENT DOCUMENTS

5,052,370 10/1991 Karabin 126/512

5,069,200 12/1991 Thow et al. 126/512

1 Claim, 5 Drawing Sheets



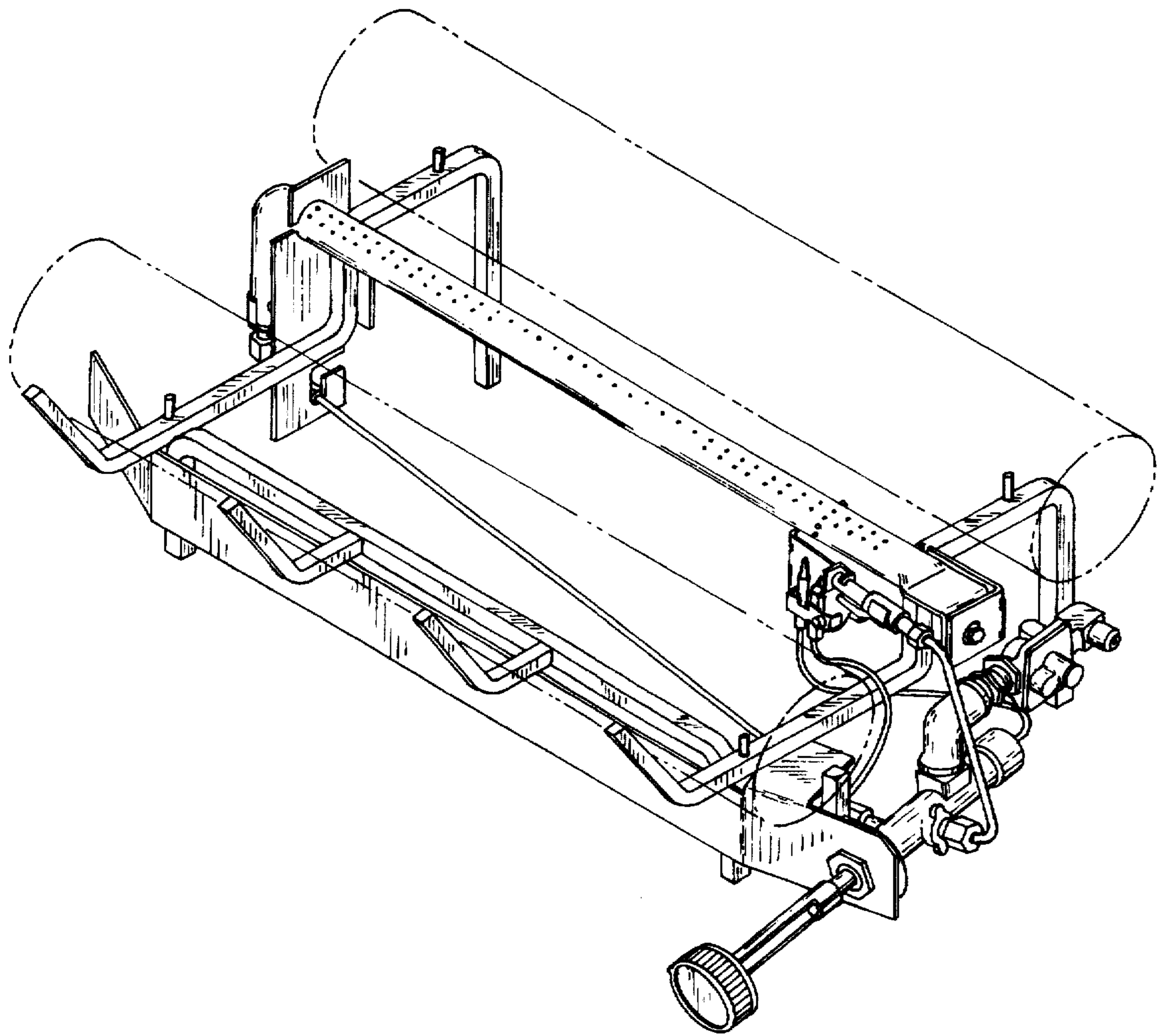
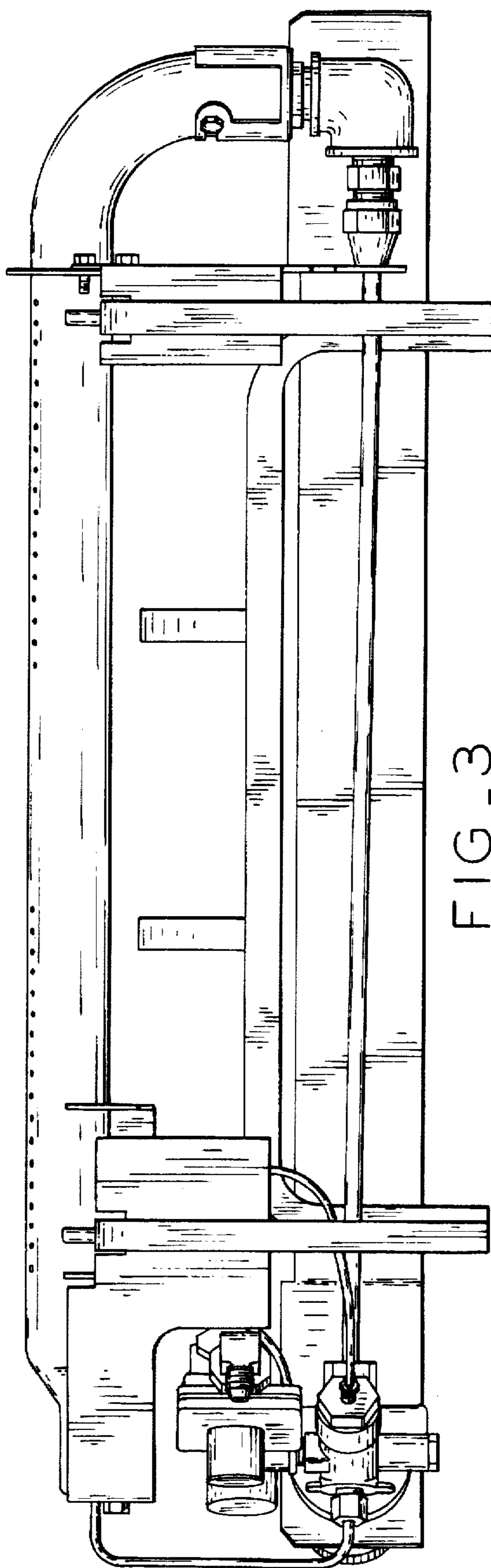


FIG. 1



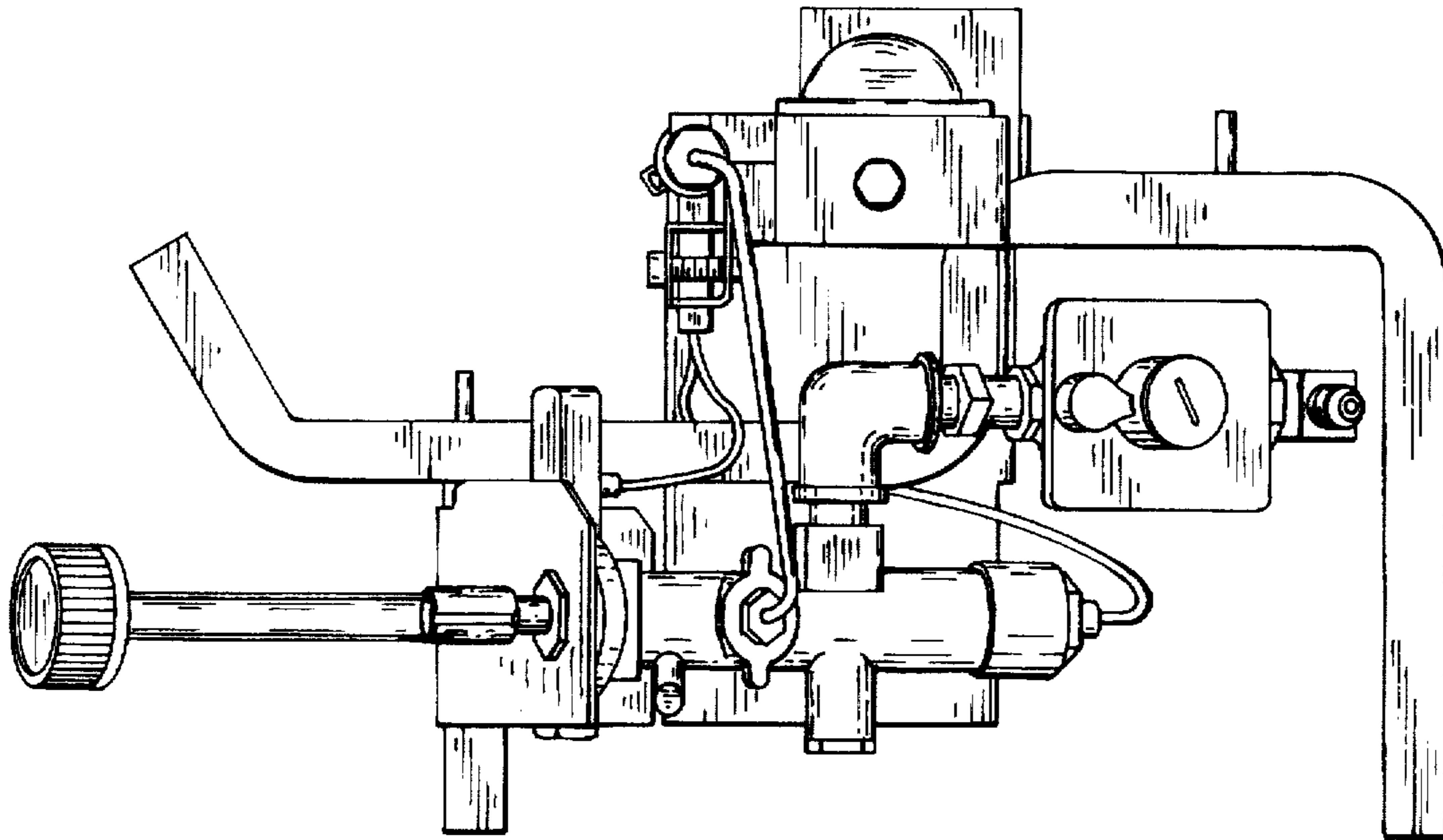


FIG. 4

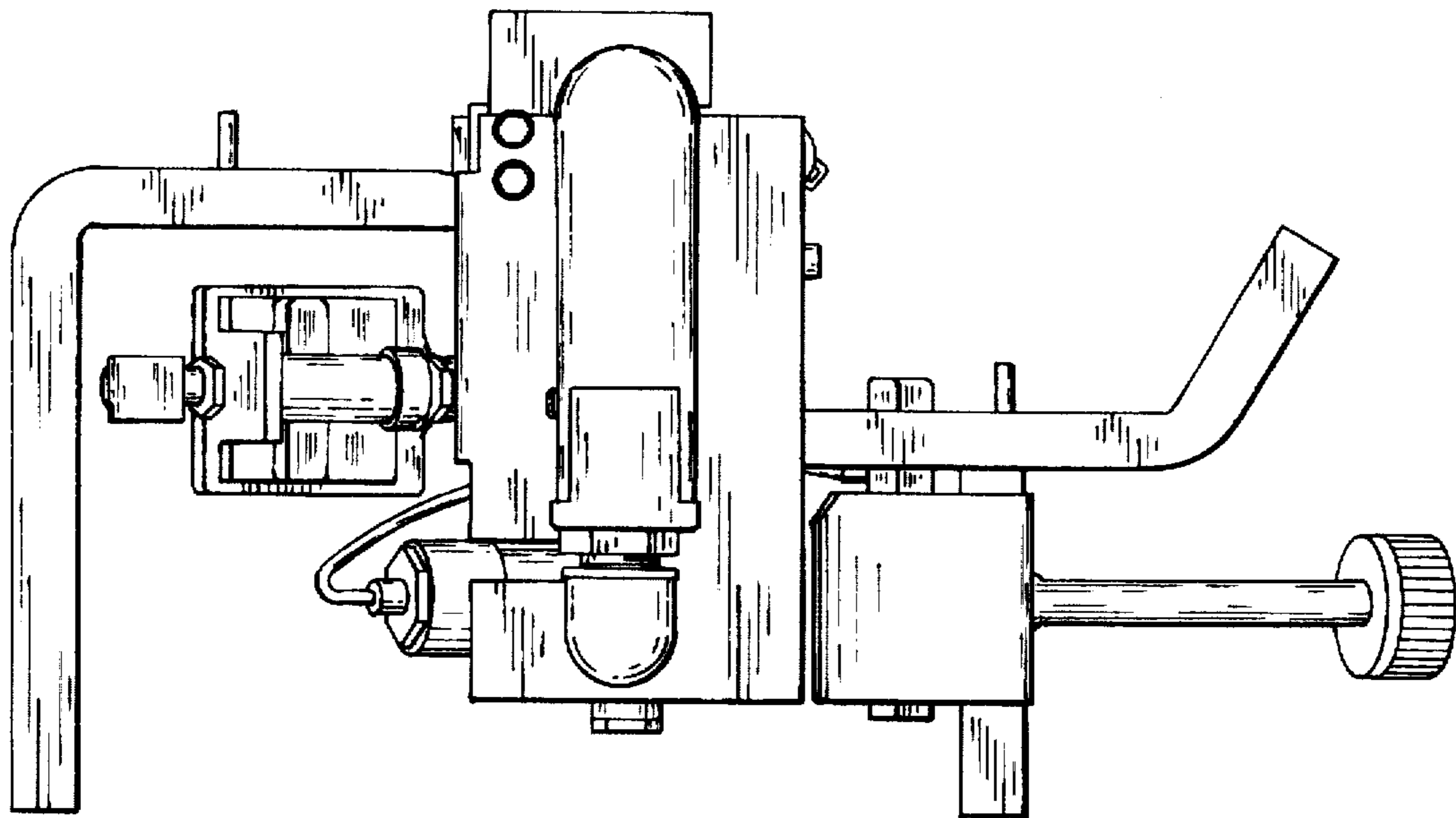


FIG. 5

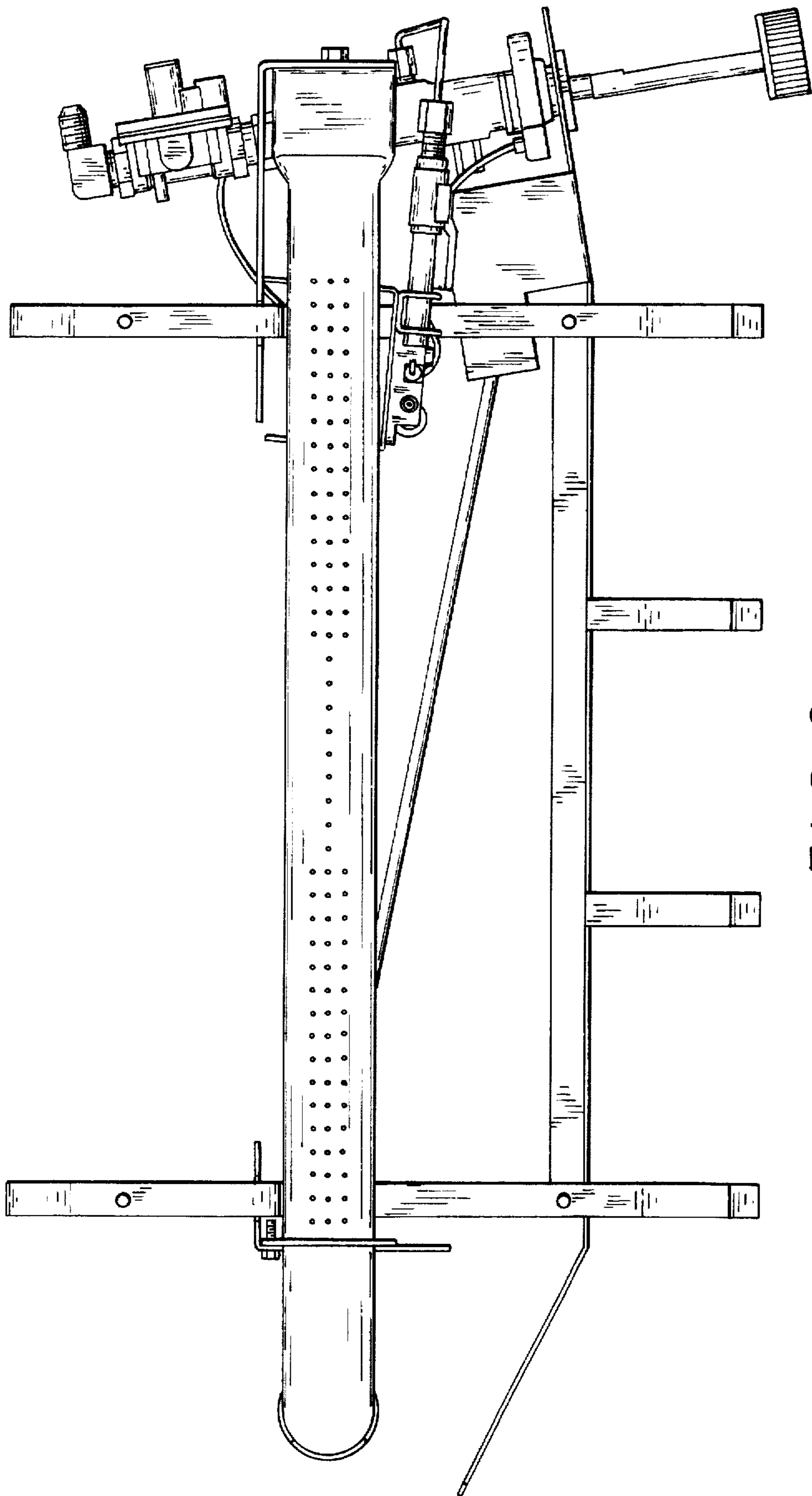


FIG. 6

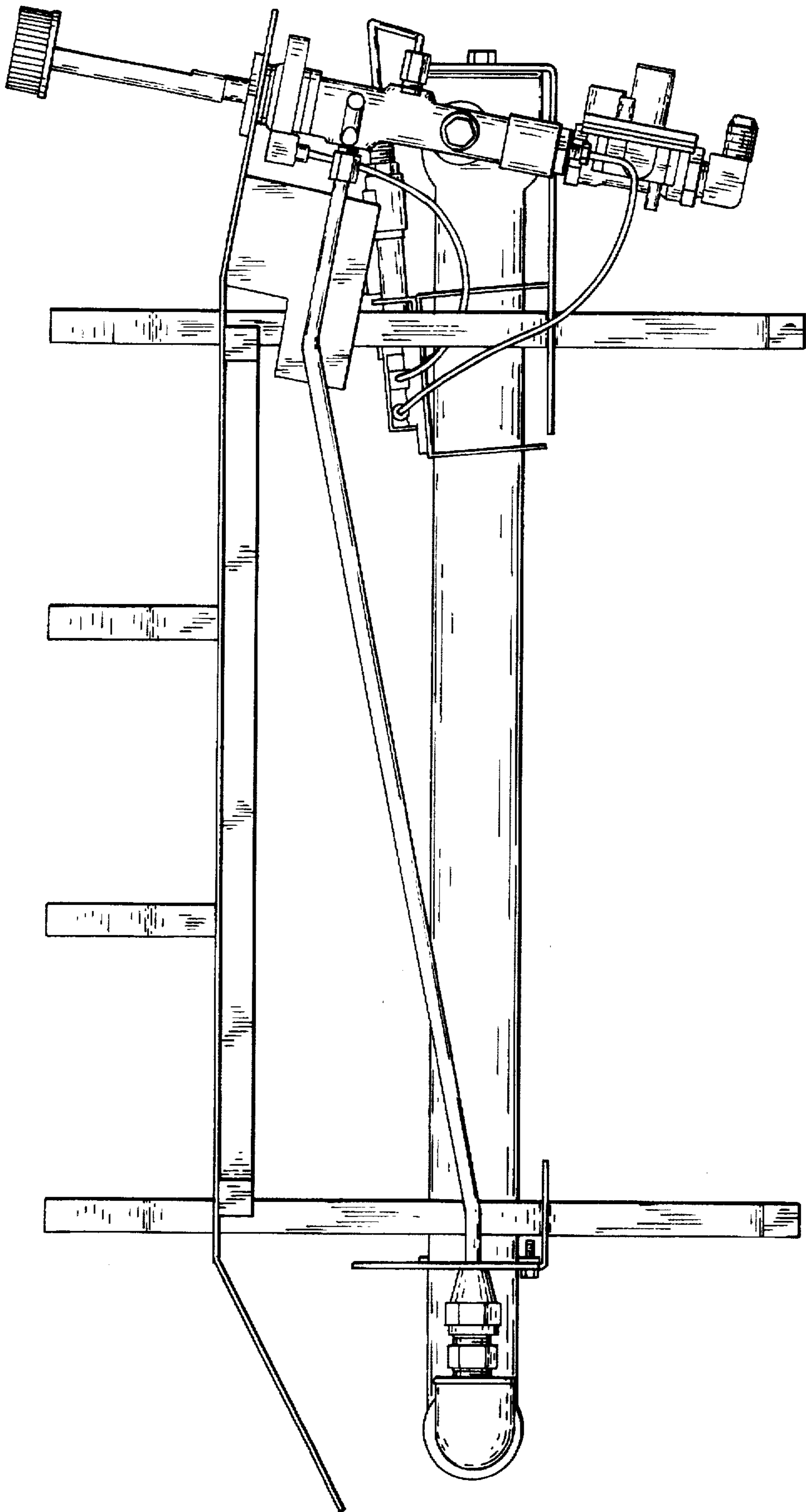


FIG. 7