

US00D395078S

United States Patent [19]
Johnson

[11] **Patent Number:** **Des. 395,078**

[45] **Date of Patent:** ****Jun. 9, 1998**

[54] **HAND GRIP FOR TOILET SEAT**

[76] **Inventor:** **H. Todd Johnson**, 850 Union Town Rd., Phillipsburg, N.J. 08865

[**] **Term:** **14 Years**

[21] **Appl. No.:** **67,366**

[22] **Filed:** **Mar. 5, 1997**

[51] **LOC (6) Cl.** **23-02**

[52] **U.S. Cl.** **D23/311**

[58] **Field of Search** D23/303, 309, D23/311; D8/300, 307, 315; 4/246.1, 246.3, 661

[56] **References Cited**

U.S. PATENT DOCUMENTS

D. 321,121	10/1991	Barbaro et al.	D8/315
D. 363,976	11/1995	Jinal	D23/252
D. 377,596	1/1997	Simon et al.	D8/315
4,004,722	1/1977	Olivier	D8/315 X
5,459,889	10/1995	Jamison	6/661

Primary Examiner—Louis S. Zarfes
Assistant Examiner—Erc Watterson

[57] **CLAIM**

The ornamental design for a hand grip for toilet seat, as shown.

DESCRIPTION

FIG. 1 is a top plan view of the hand grip for toilet seat of the present invention;

FIG. 2 is a bottom plan view of the hand grip for toilet seat of FIG. 1;

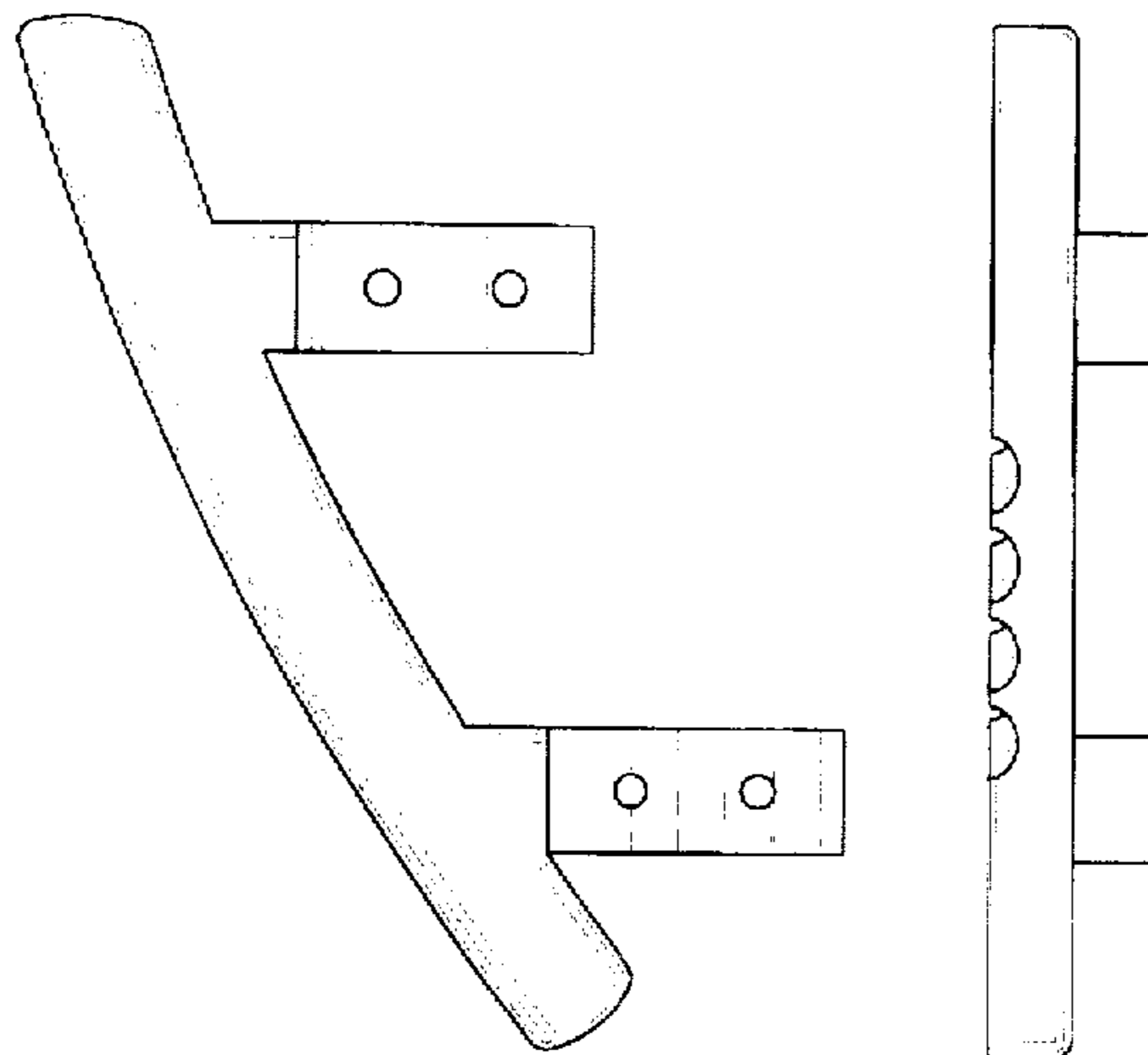
FIG. 3 is a left side plan view of the hand grip for toilet seat of FIG. 1;

FIG. 4 is a right side plan view of the hand grip for toilet seat of FIG. 1;

FIG. 5 is a front plan view of the hand grip for toilet seat of FIG. 1; and,

FIG. 6 is a back plan view of the hand grip for toilet seat of FIG. 1.

1 Claim, 3 Drawing Sheets



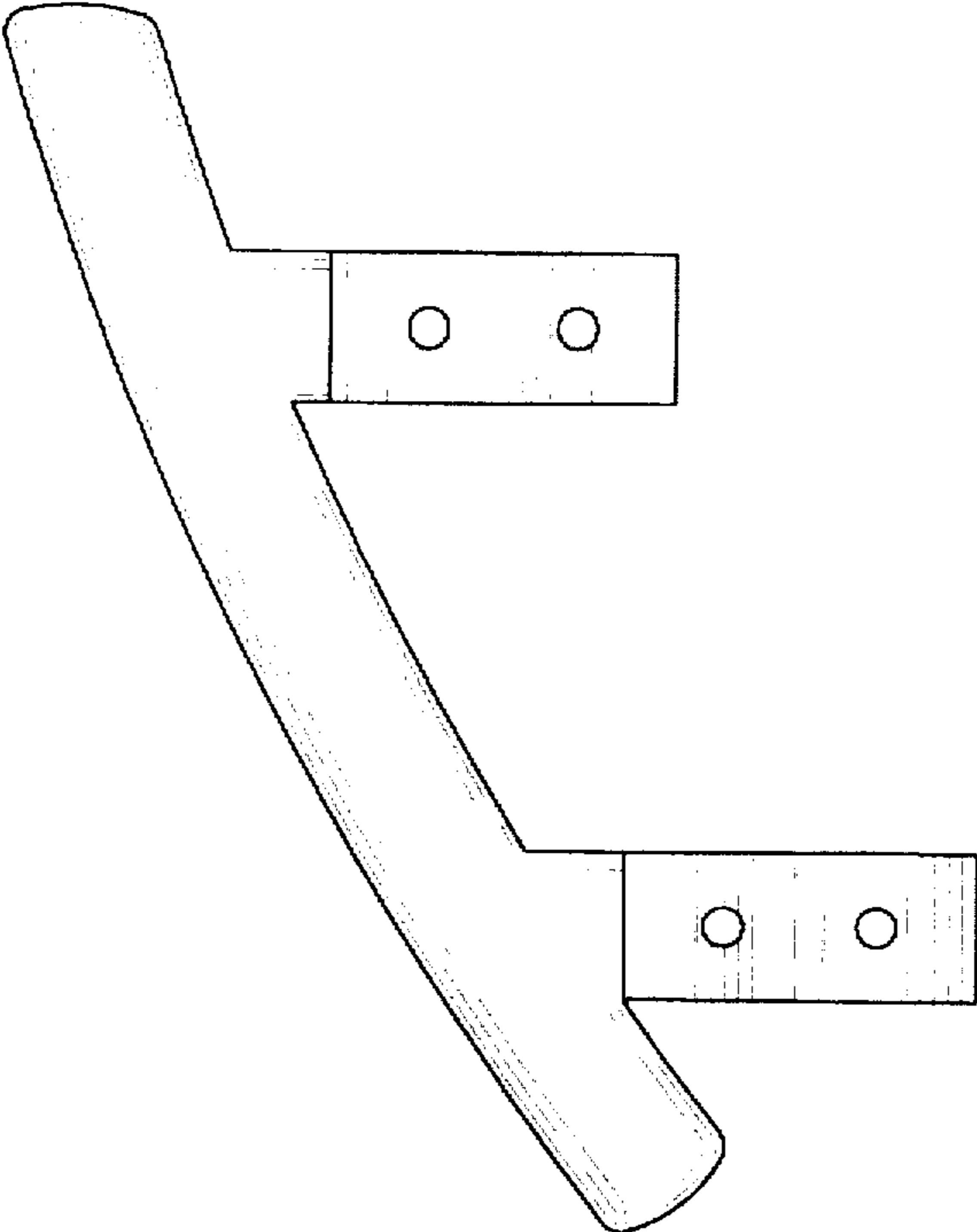


Fig. 1

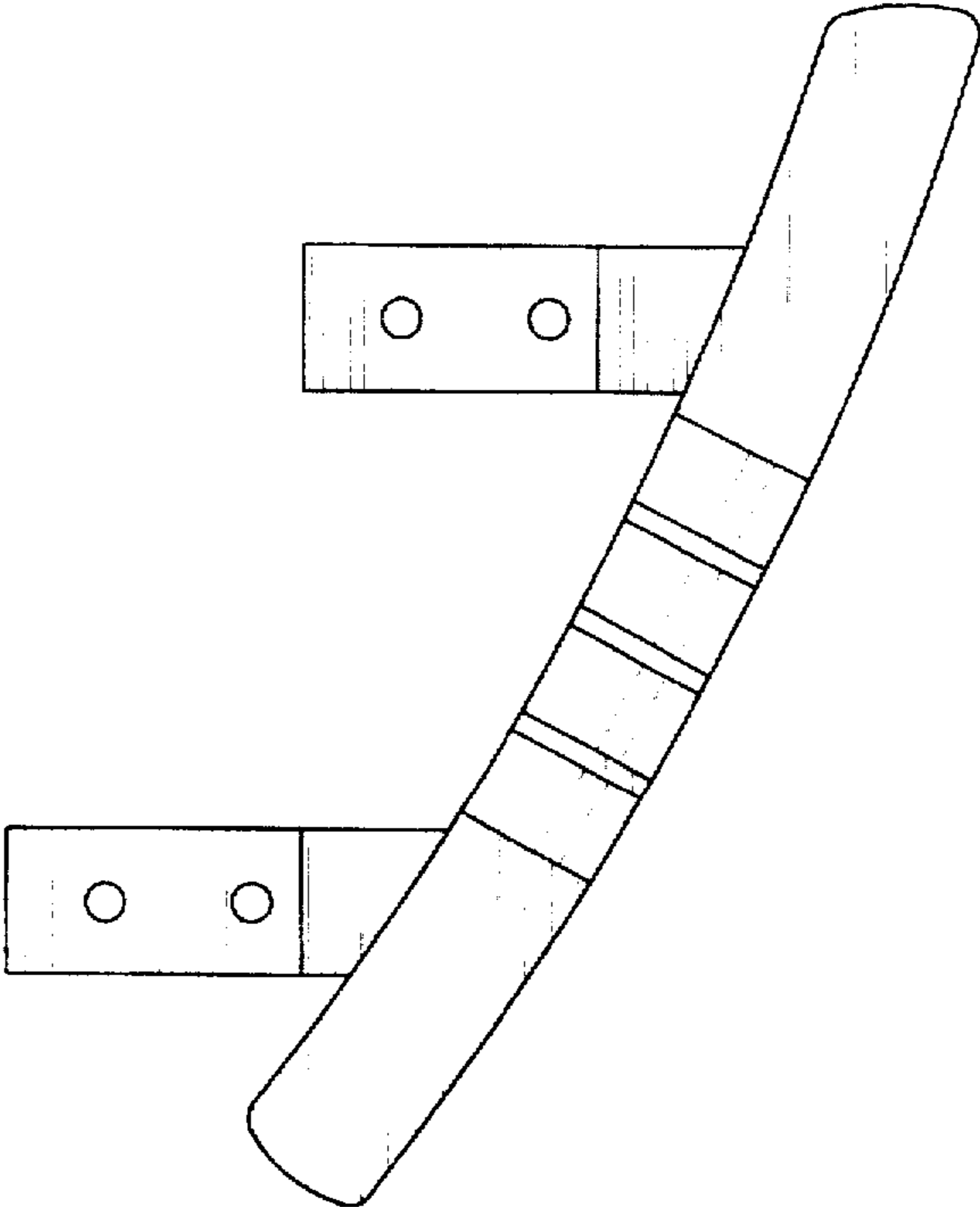


Fig. 2

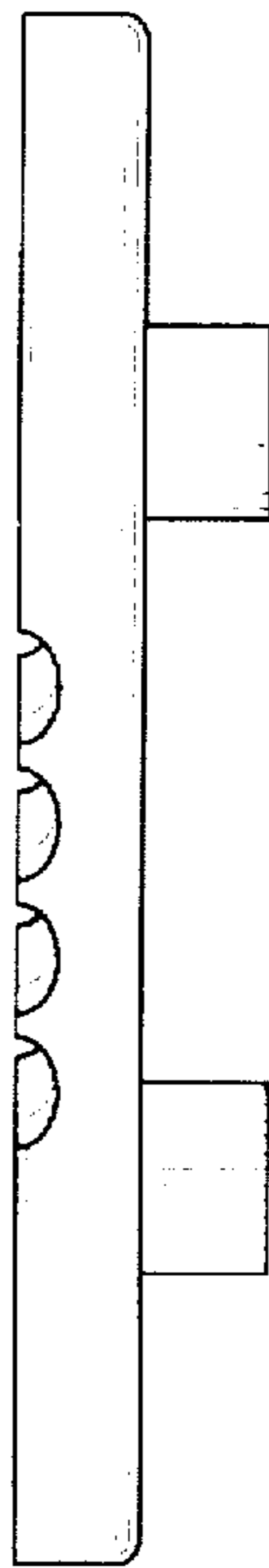


Fig. 3

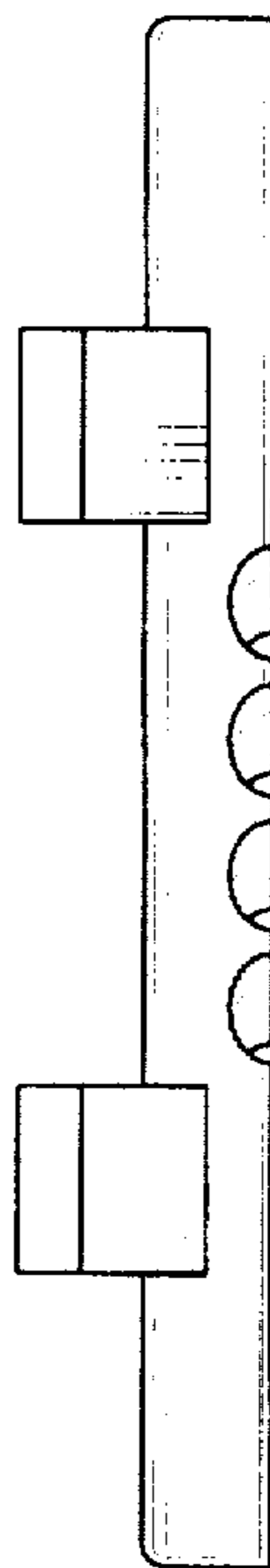


Fig. 4

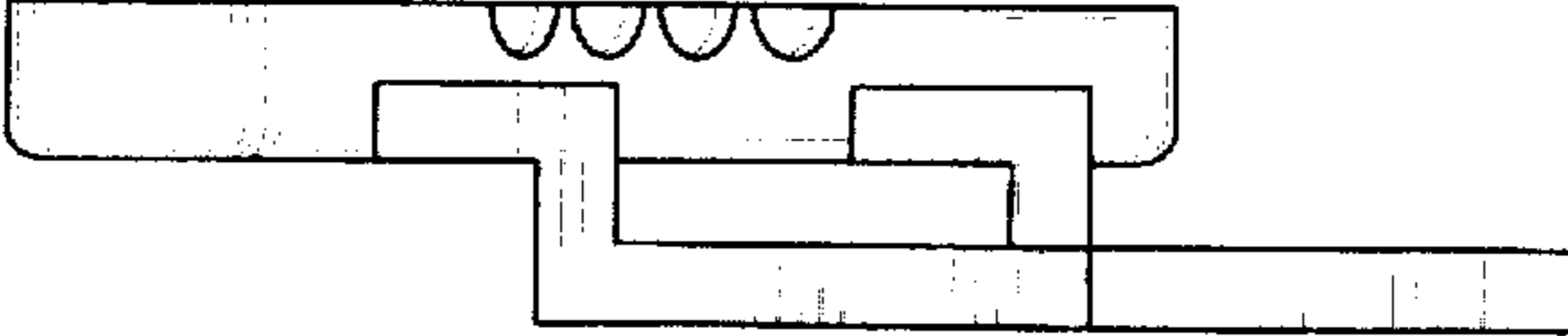


Fig. 5



Fig. 6