

US00D395077S

United States Patent [19]
Nagato

[11] **Patent Number: Des. 395,077**

[45] **Date of Patent: **Jun. 9, 1998**

[54] **URINAL**

[75] **Inventor: Kenichi Nagato, Kitakyushu, Japan**

[73] **Assignee: Toto Ltd., Japan**

[**] **Term: 14 Years**

[21] **Appl. No.: 71,027**

[22] **Filed: May 19, 1997**

[30] **Foreign Application Priority Data**

Nov. 19, 1996 [JP] Japan 8-35340

[51] **LOC (6) Cl. 23-02**

[52] **U.S. Cl. D23/302**

[58] **Field of Search D23/299, 302;**
D24/121, 122; 4/144.1, 144.2, 144.3, 144.4;
604/328, 329, 347, 350, 331, 349, 346

[56] **References Cited**

U.S. PATENT DOCUMENTS

| | | | |
|------------|--------|------------------|---------|
| D. 275,600 | 9/1984 | Stairs, Jr. | D23/302 |
| D. 362,716 | 9/1995 | Kolada | D23/302 |
| D. 372,962 | 8/1996 | Thomas | D23/302 |
| D. 377,972 | 2/1997 | Kandi | D23/302 |

Primary Examiner—Stella Reid
Assistant Examiner—Eric Watterson
Attorney, Agent, or Firm—Finnegan, Henderson, Farabow,
Garrett & Dunner, L.L.P.

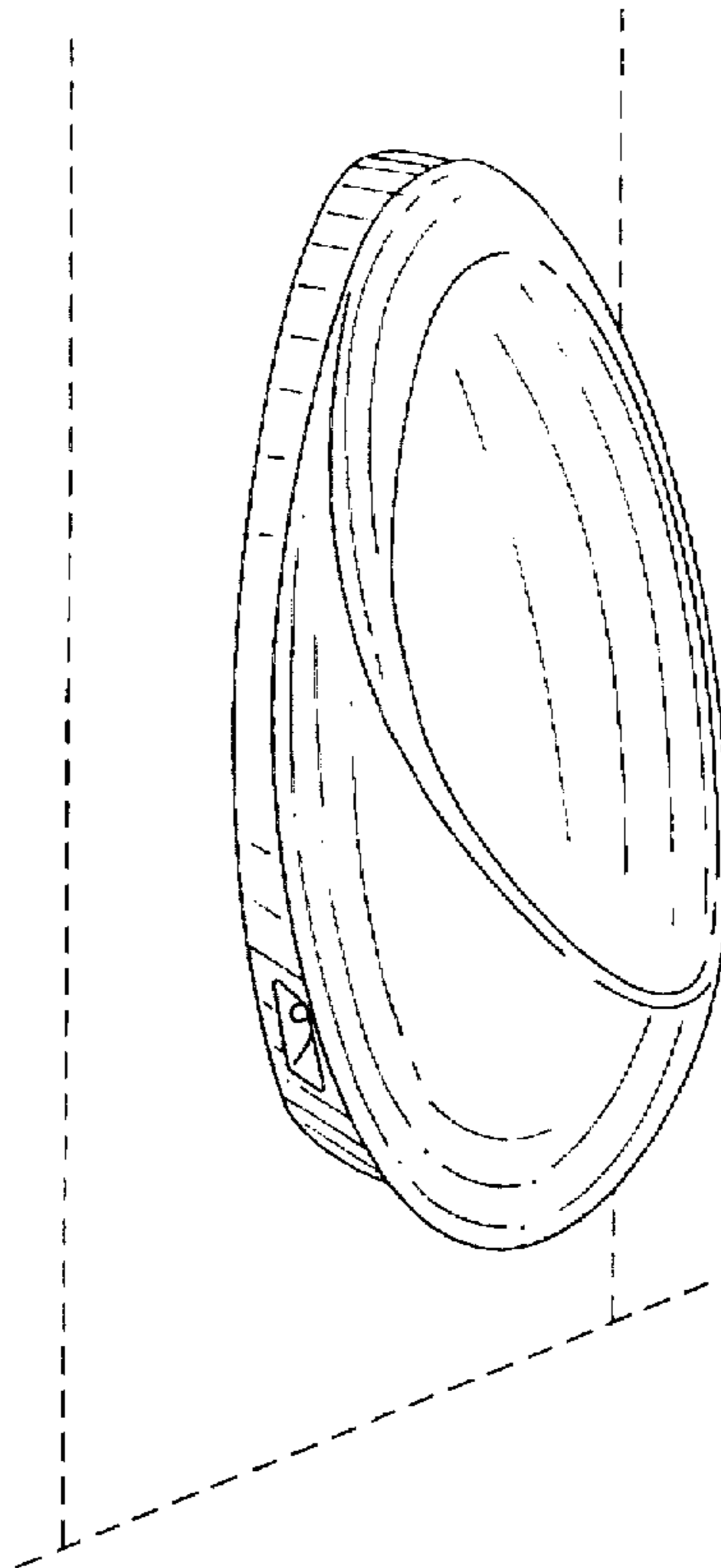
[57] **CLAIM**

The ornamental design for a urinal, as shown and described.

DESCRIPTION

FIG. 1 is a front view of the first embodiment of a urinal embodying my design;
FIG. 2 is a top view thereof;
FIG. 3 is a bottom view thereof;
FIG. 4 is a right side view thereof, the left side being a mirror image of the right side;
FIG. 5 is a perspective view thereof;
FIG. 6 is a bottom view of the second embodiment of a urinal embodying my design;
FIG. 7 is a right side view thereof, the left side being a mirror image of the right side; and,
FIG. 8 is a perspective view thereof.
The top view of the second embodiment is identical to that shown in FIG. 2.
The rear view is plain and unornamented.

1 Claim, 3 Drawing Sheets



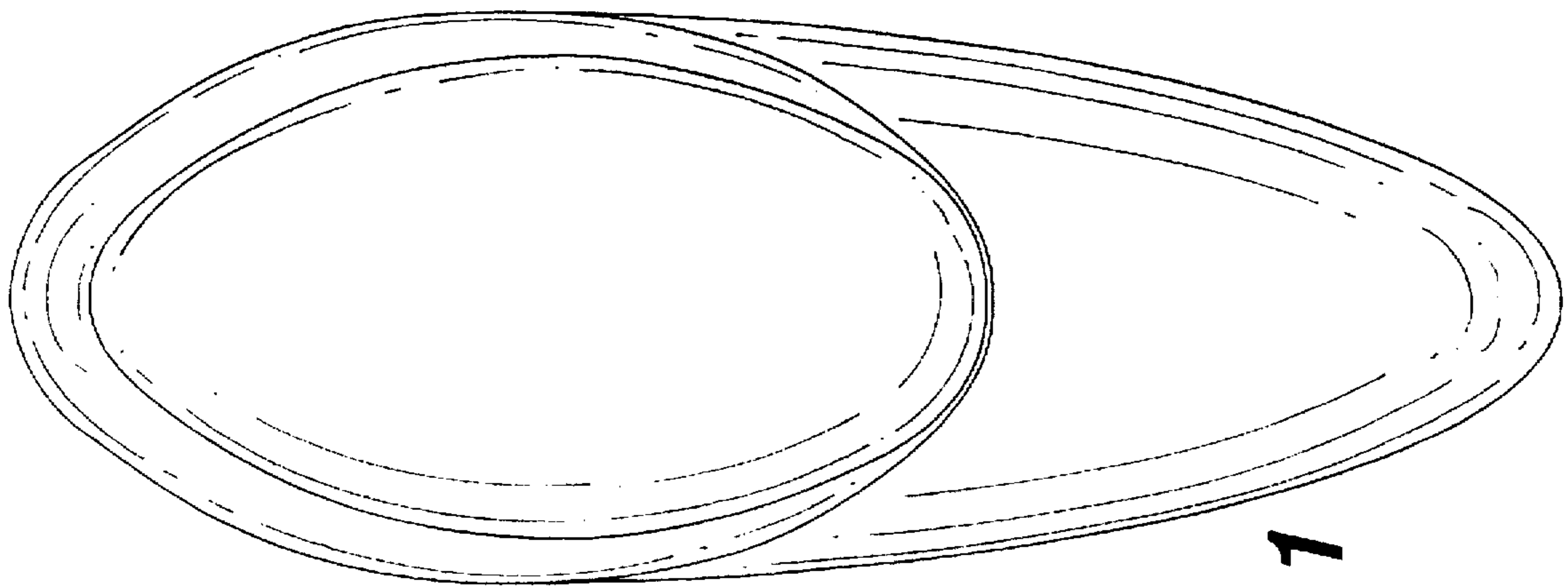


FIG. 1

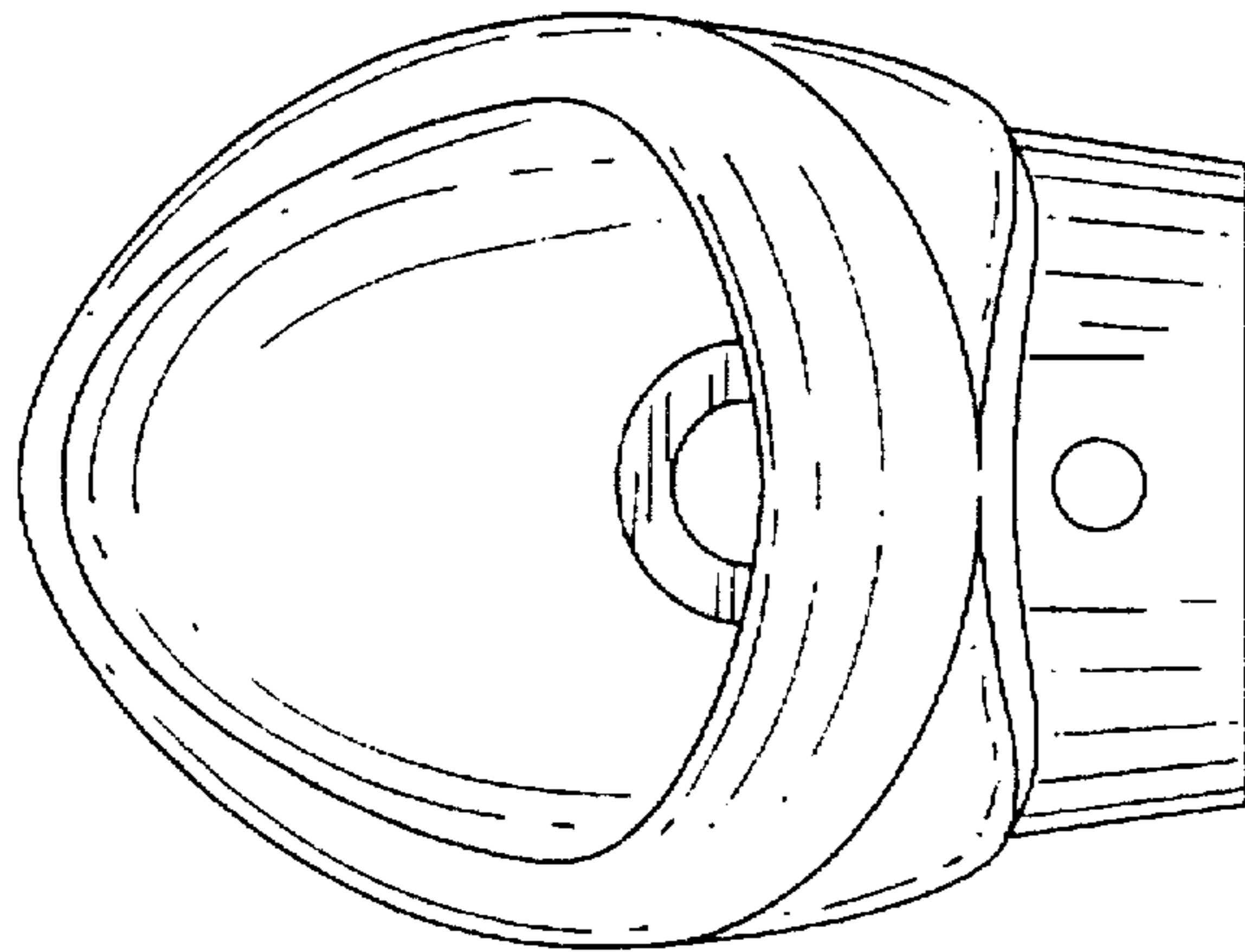


FIG. 2

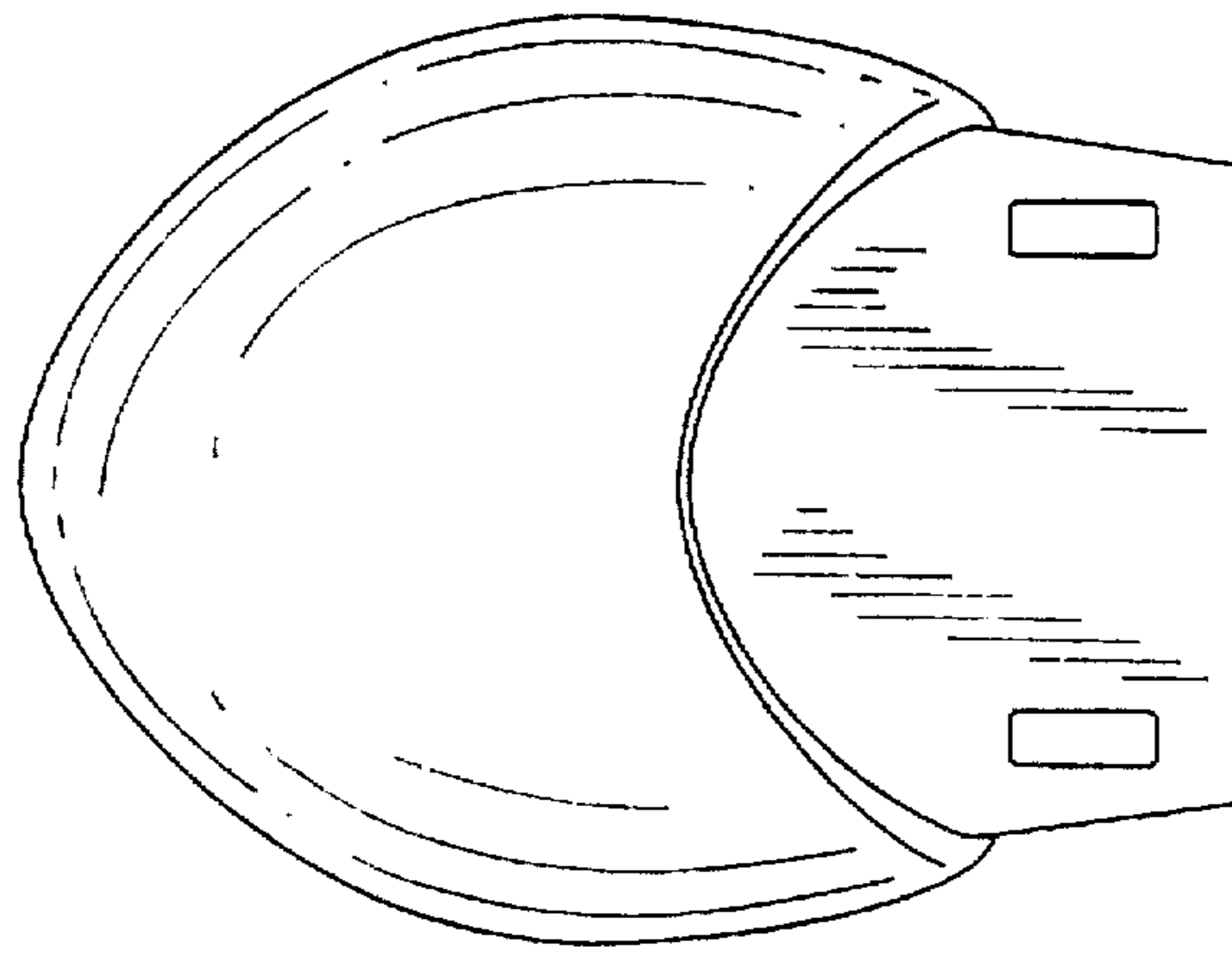


FIG. 3

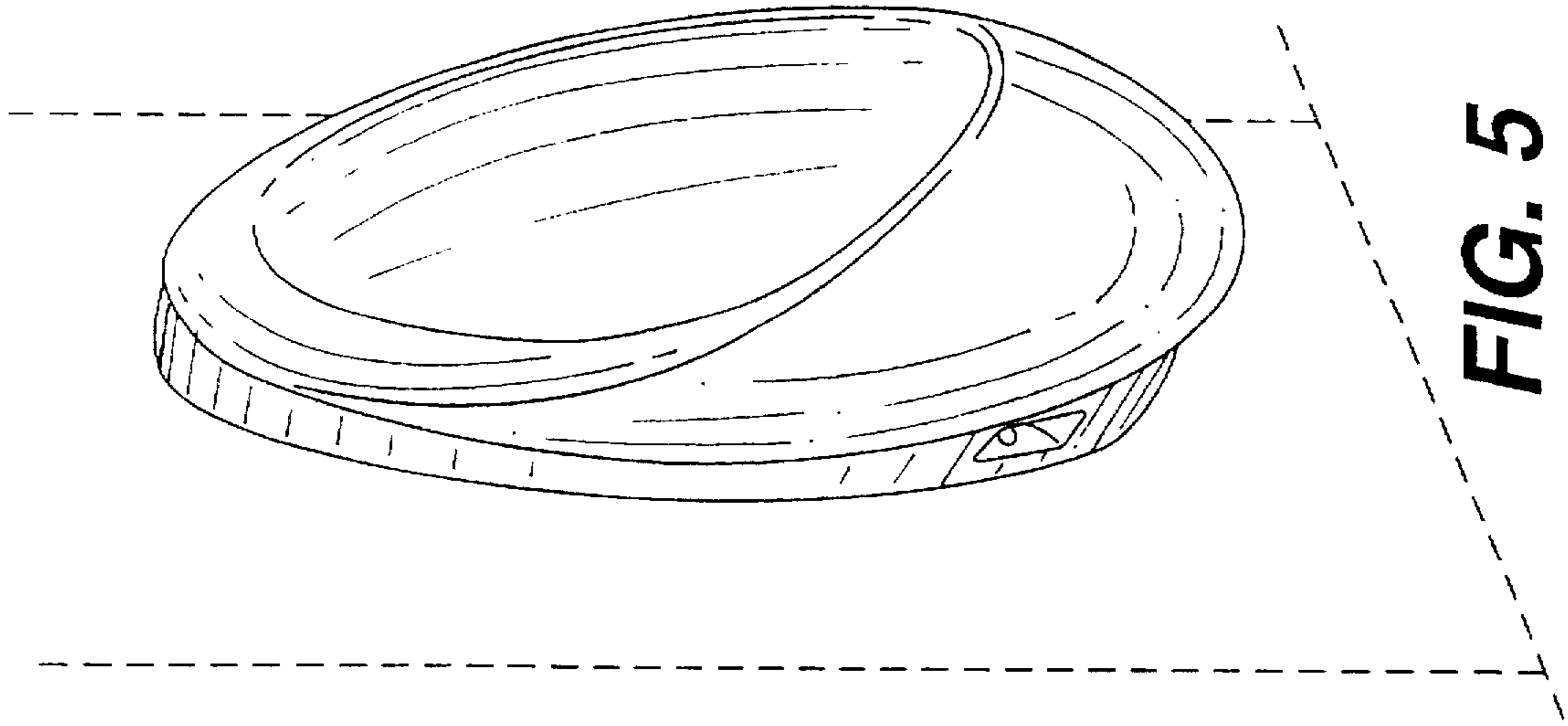


FIG. 5

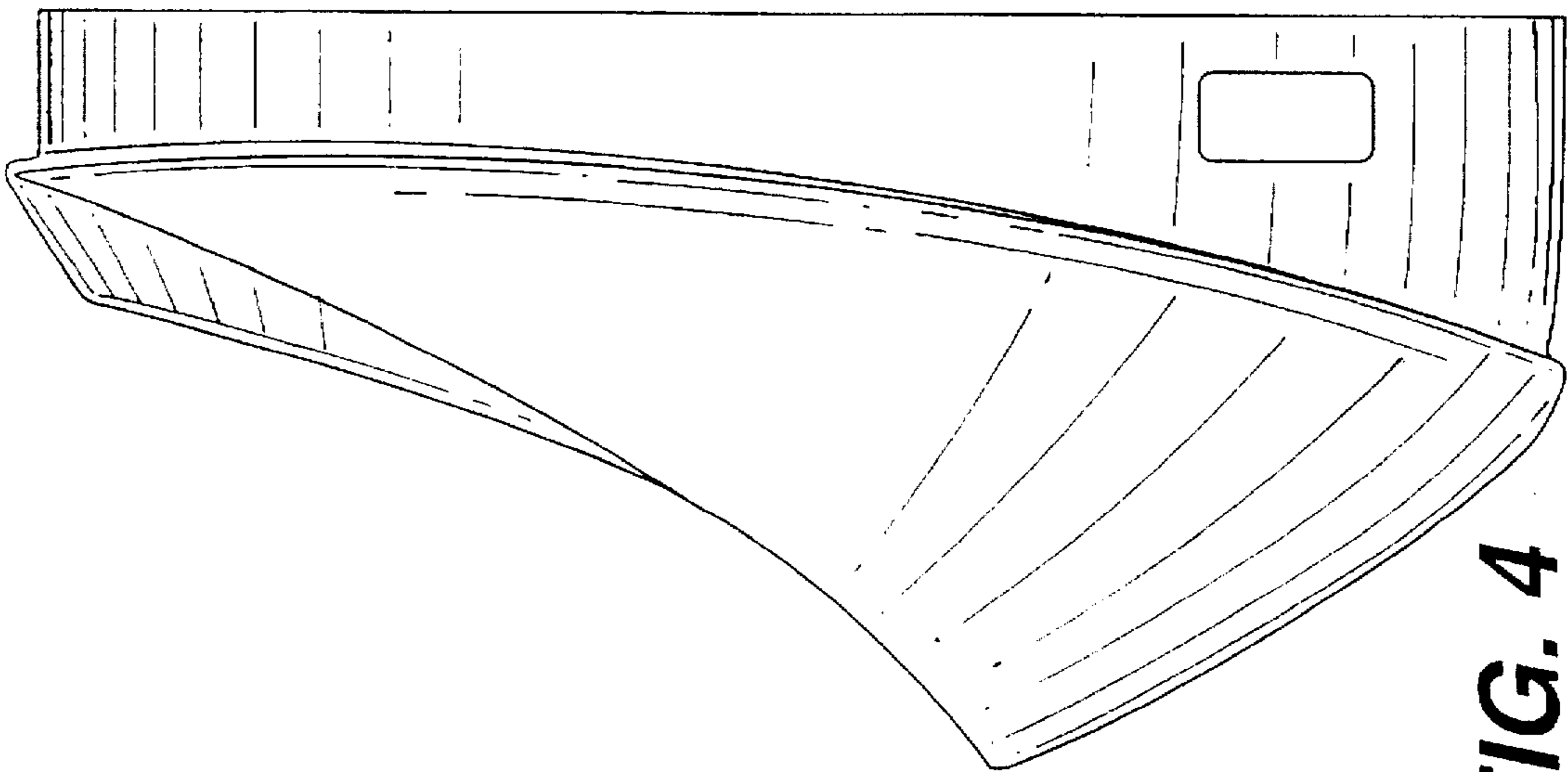


FIG. 4

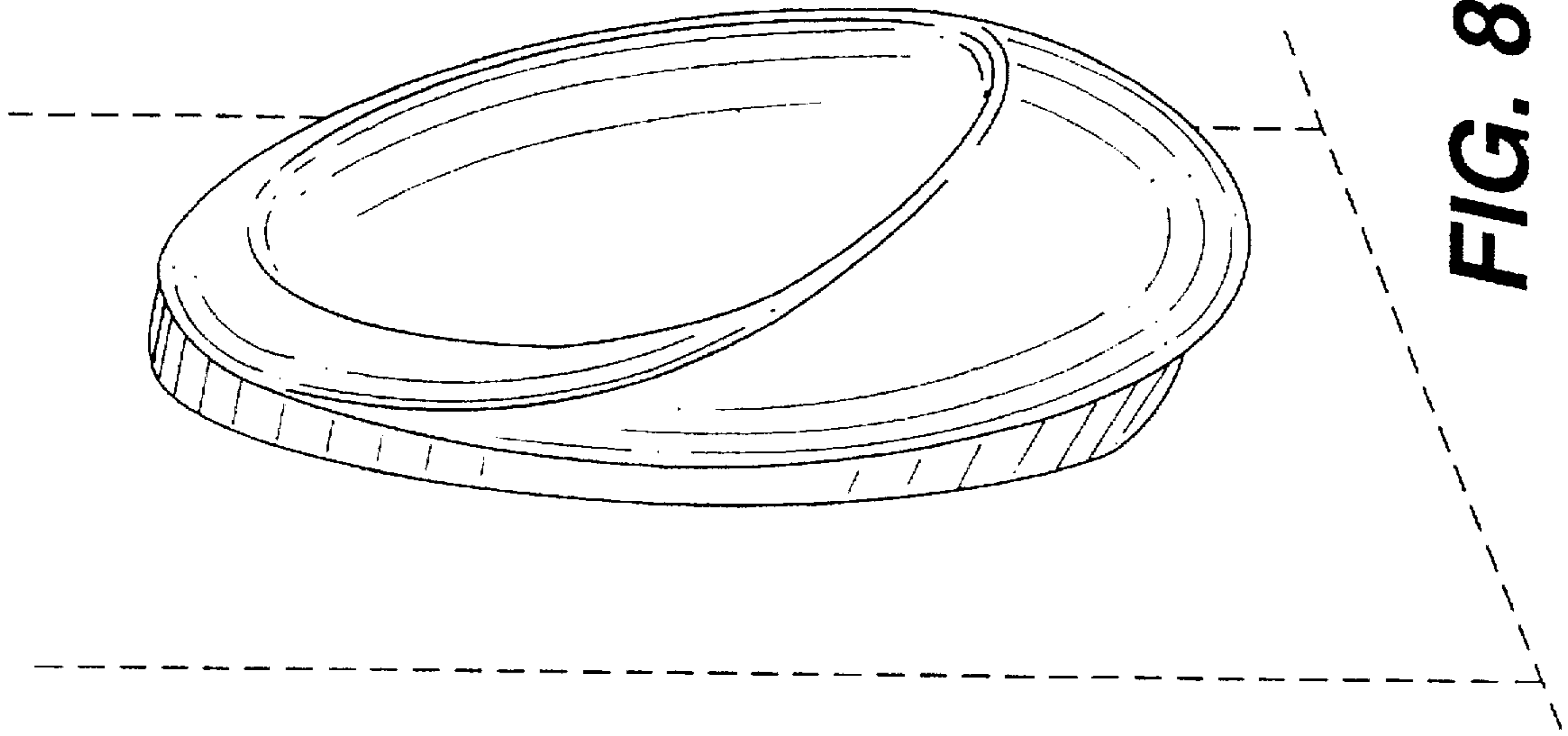


FIG. 8

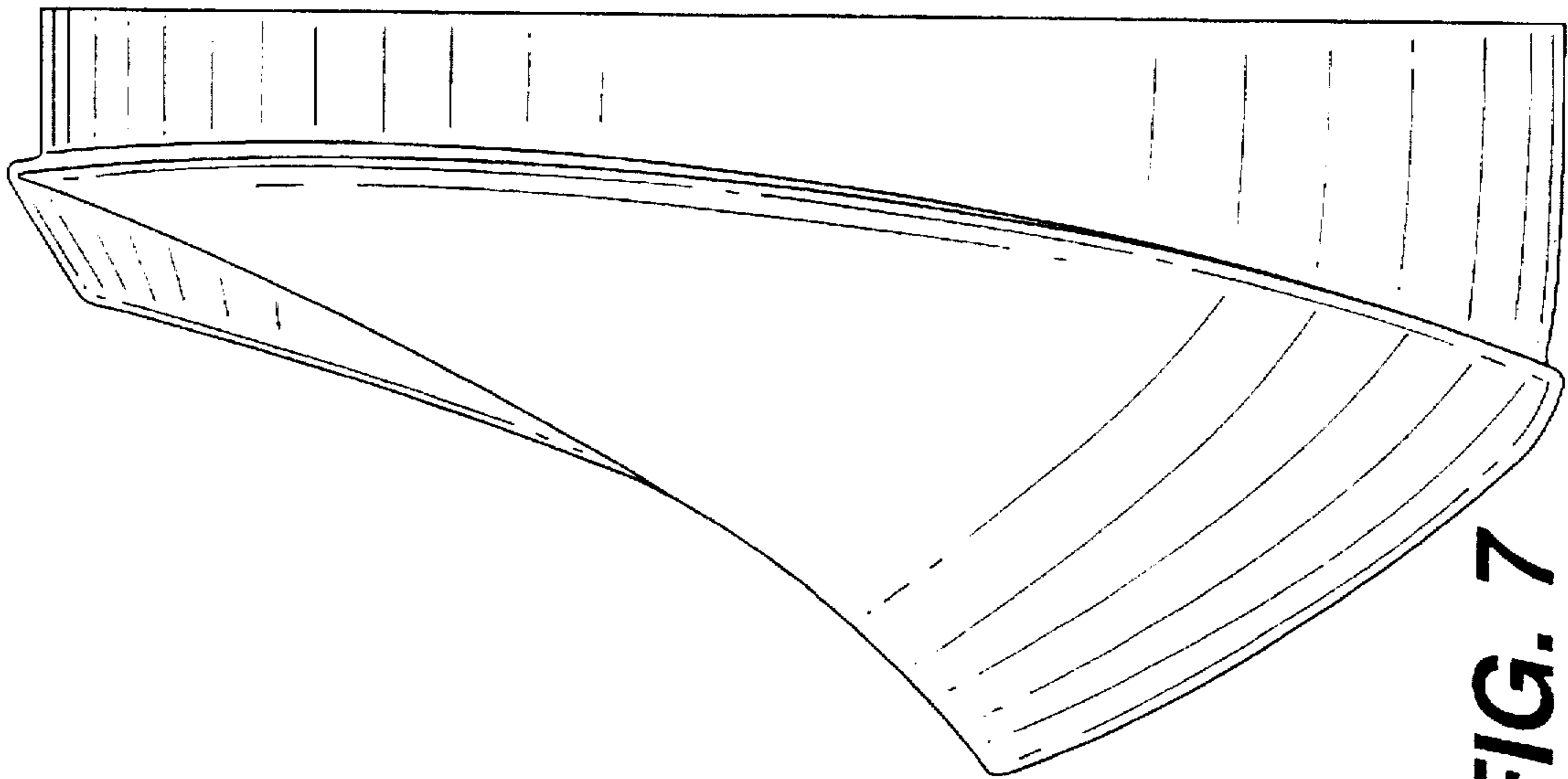


FIG. 7

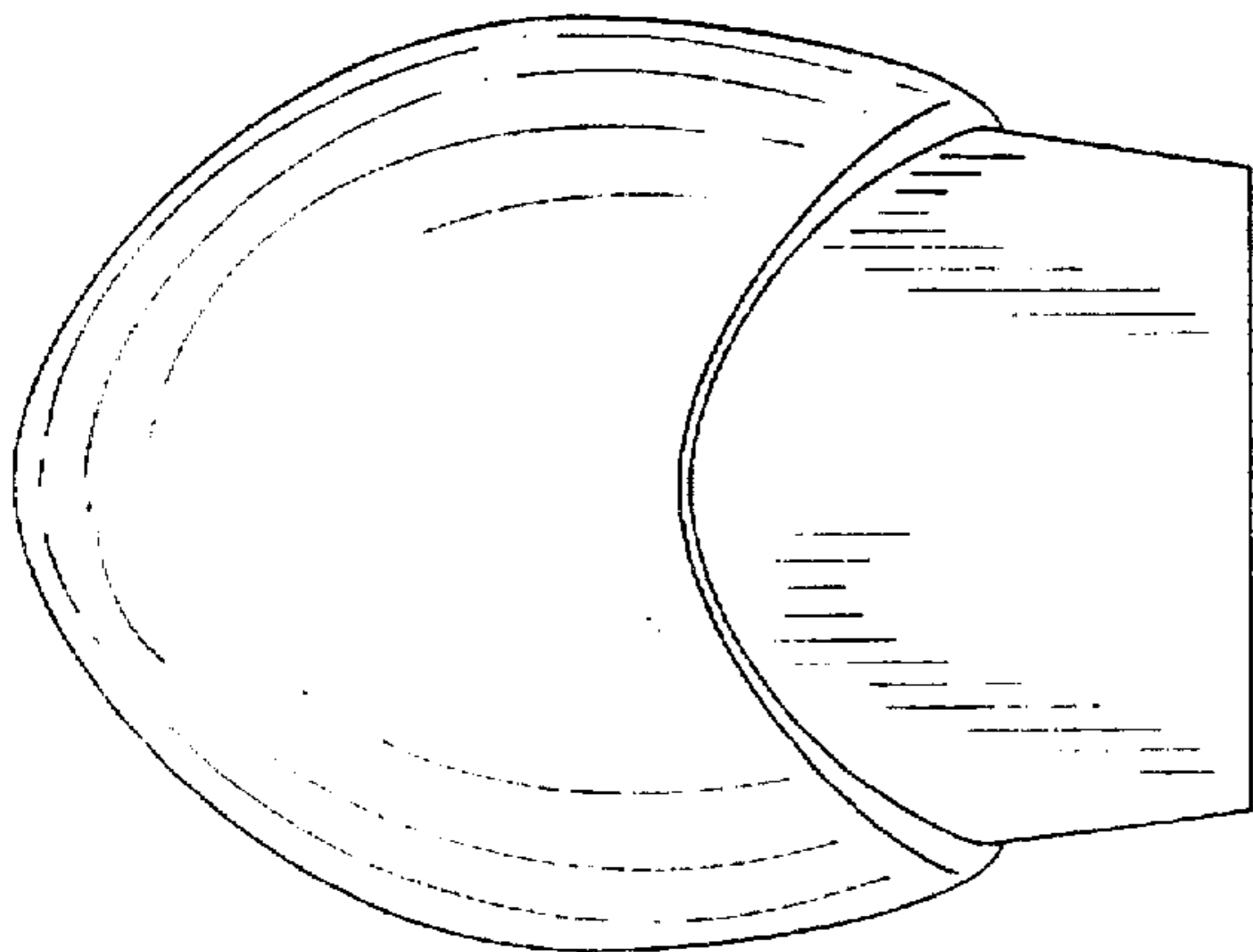


FIG. 6

UNITED STATES PATENT AND TRADEMARK OFFICE
CERTIFICATE OF CORRECTION

PATENT NO. : D395,077
APPLICATION NO. : 29/071027
DATED : June 9, 1998
INVENTOR(S) : Kenichi Nagato

Page 1 of 1

It is certified that error appears in the above-identified patent and that said Letters Patent is hereby corrected as shown below:

Title Page, col. 2, line 15, under "DESCRIPTION" (last line), delete "the rear view is plain and unornamented."

Signed and Sealed this
Seventeenth Day of May, 2011

A handwritten signature in black ink that reads "David J. Kappos". The signature is written in a cursive style with a large initial 'D' and 'K'.

David J. Kappos
Director of the United States Patent and Trademark Office