



US00D395076S

# United States Patent [19]

Bennett et al.

[11] Patent Number: **Des. 395,076**

[45] Date of Patent: **\*\*Jun. 9, 1998**

[54] OCTAGON SINK

[75] Inventors: **Thomas Michael Bennett; Stephanie Kay Polk**, both of Broomfield, Colo.

[73] Assignee: **Diamond Spas, Inc.**, Erie, Colo.

[\*\*] Term: **14 Years**

[21] Appl. No.: **62,205**

[22] Filed: **Nov. 12, 1996**

[51] LOC (6) Cl. .... **23-02**

[52] U.S. Cl. .... **D23/292**

[58] Field of Search ..... D23/284-293.1;  
4/619, 624, 625, 626, 638-650

[56] **References Cited**

**U.S. PATENT DOCUMENTS**

D. 88,713 12/1932 Kohler et al. .... D23/292

D. 101,446 10/1936 Dreyfuss et al. .... D23/292 X  
D. 145,989 11/1946 Stevens ..... D23/286  
2,227,388 12/1940 Conner ..... 4/624

*Primary Examiner*—Louis S. Zarfes  
*Assistant Examiner*—Eric Watterson  
*Attorney, Agent, or Firm*—Duft, Graziano & Forest, P.C.

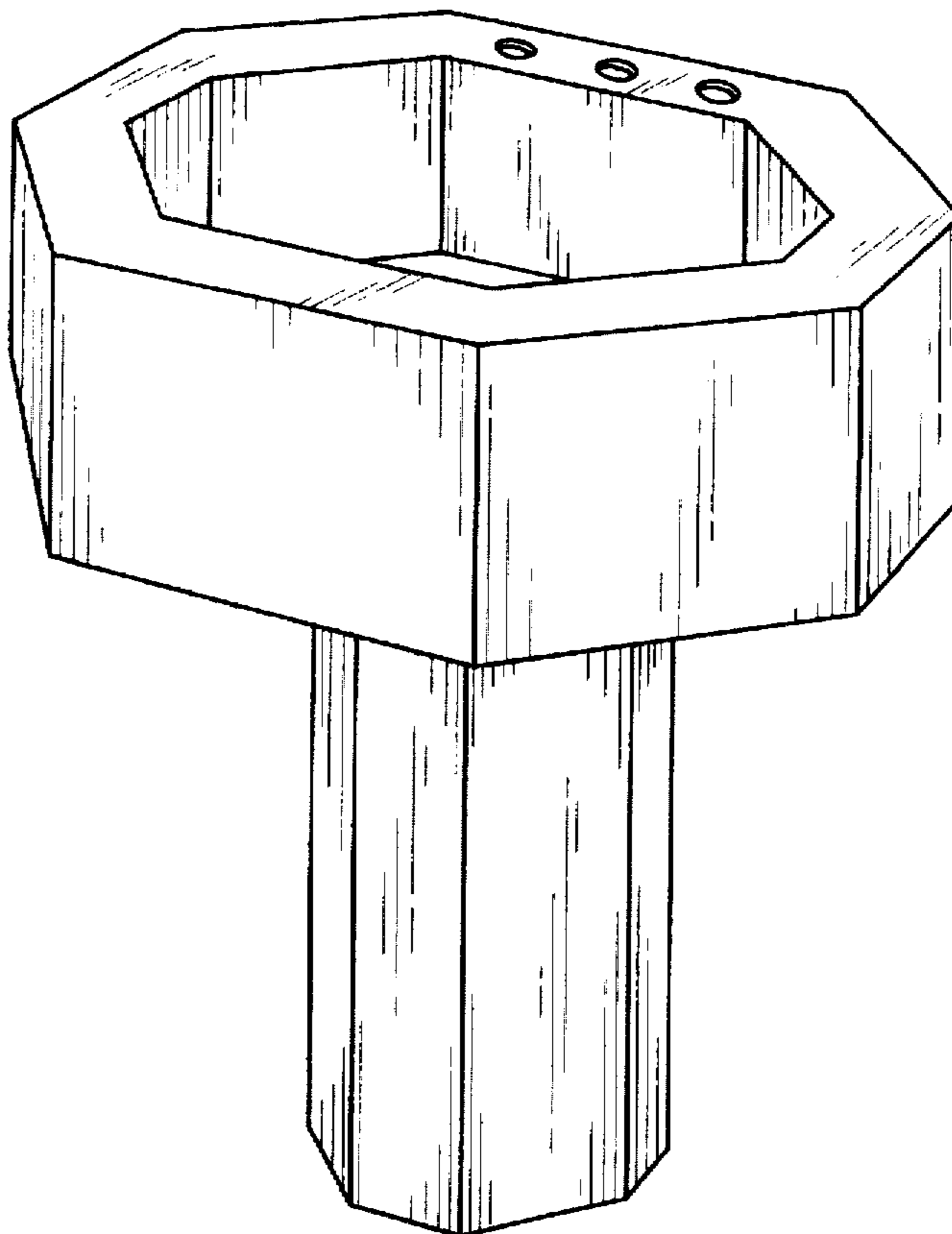
[57] **CLAIM**

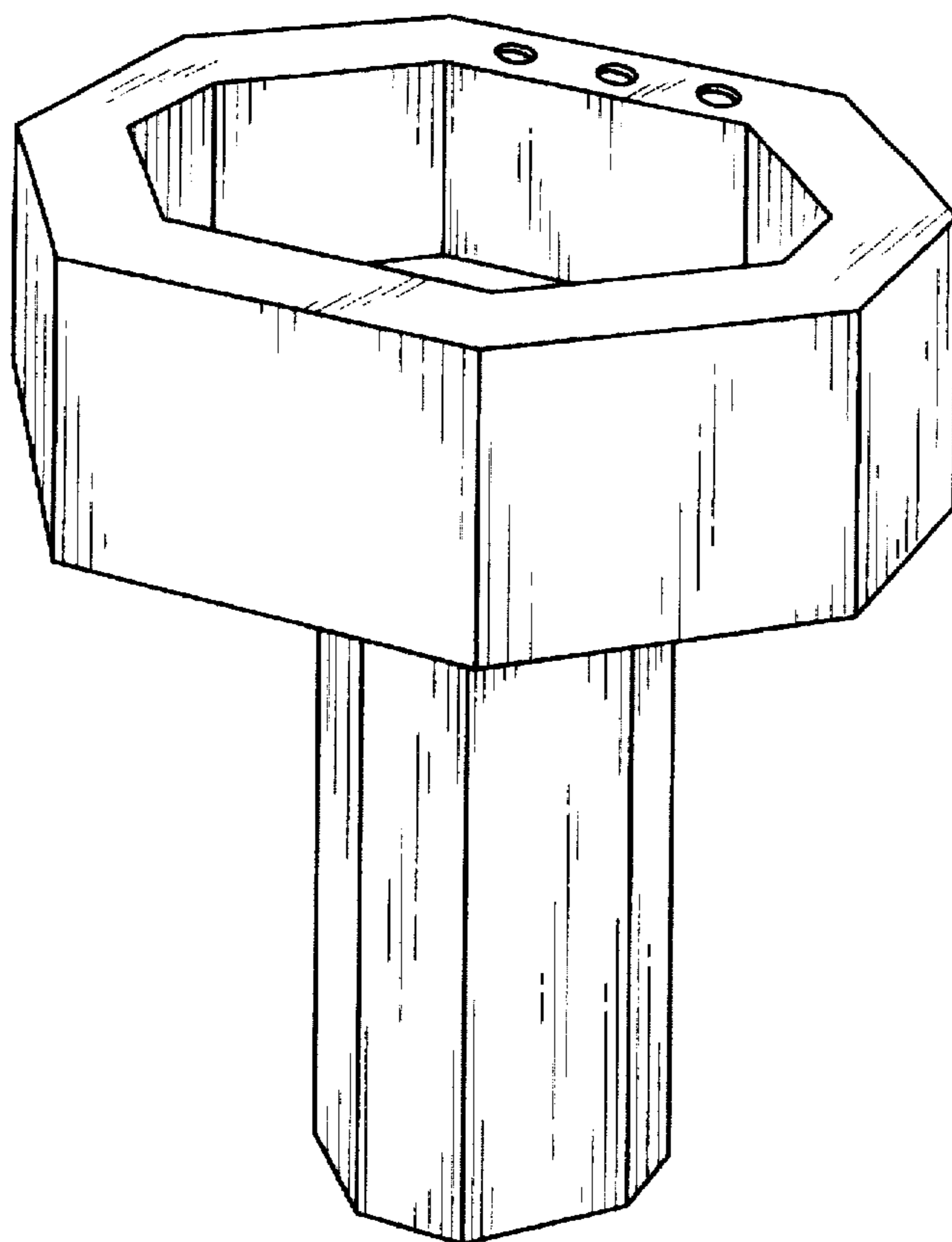
The ornamental design for an octagon sink, as shown and described.

**DESCRIPTION**

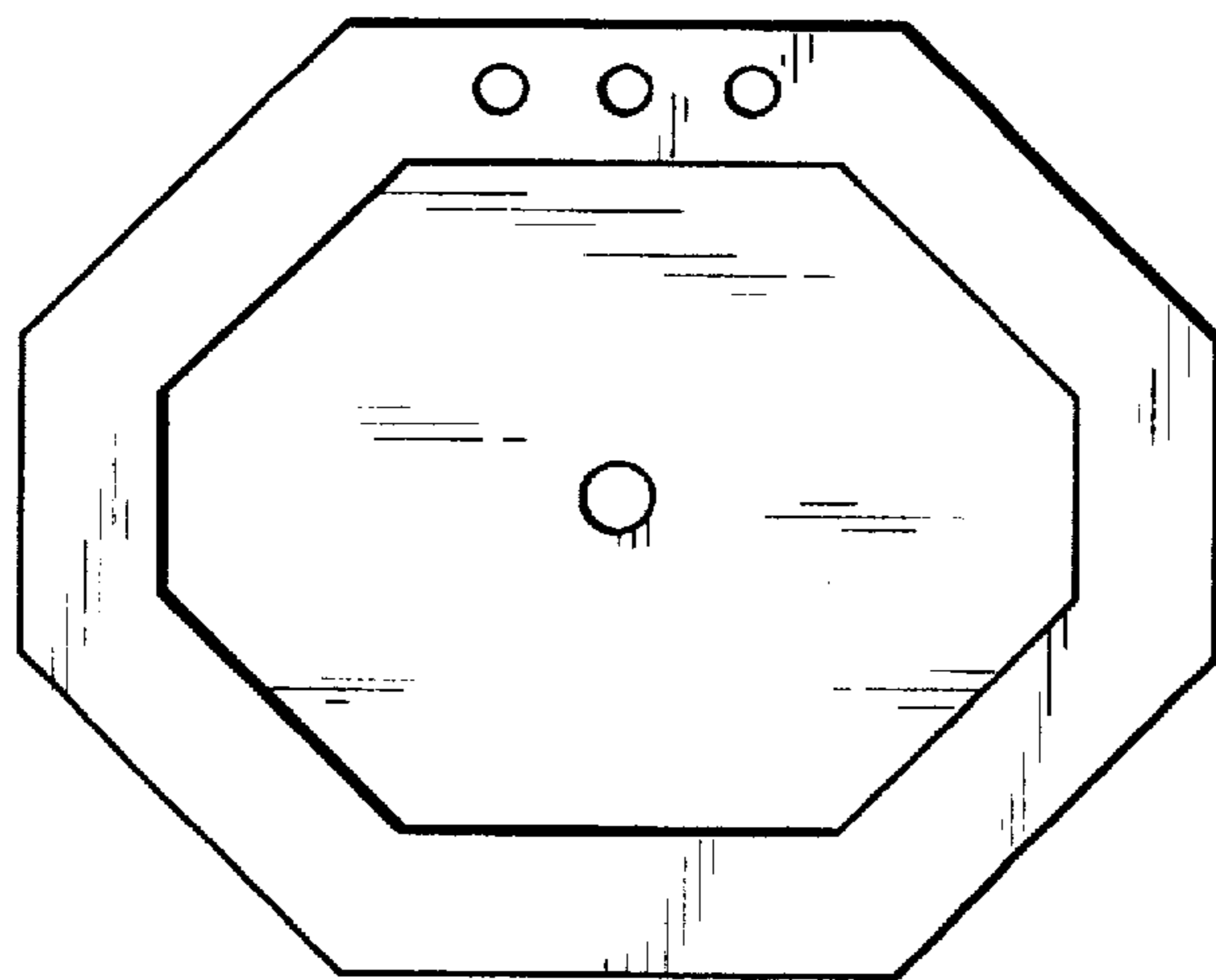
FIG. 1 is a front perspective view;  
FIG. 2 is a top view of FIG. 1;  
FIG. 3 is a front elevation view of FIG. 1;  
FIG. 4 is a rear elevation view of FIG. 1;  
FIG. 5 is a left side elevation view of FIG. 1; and,  
FIG. 6 is a right side elevation view of FIG. 1.

**1 Claim, 2 Drawing Sheets**

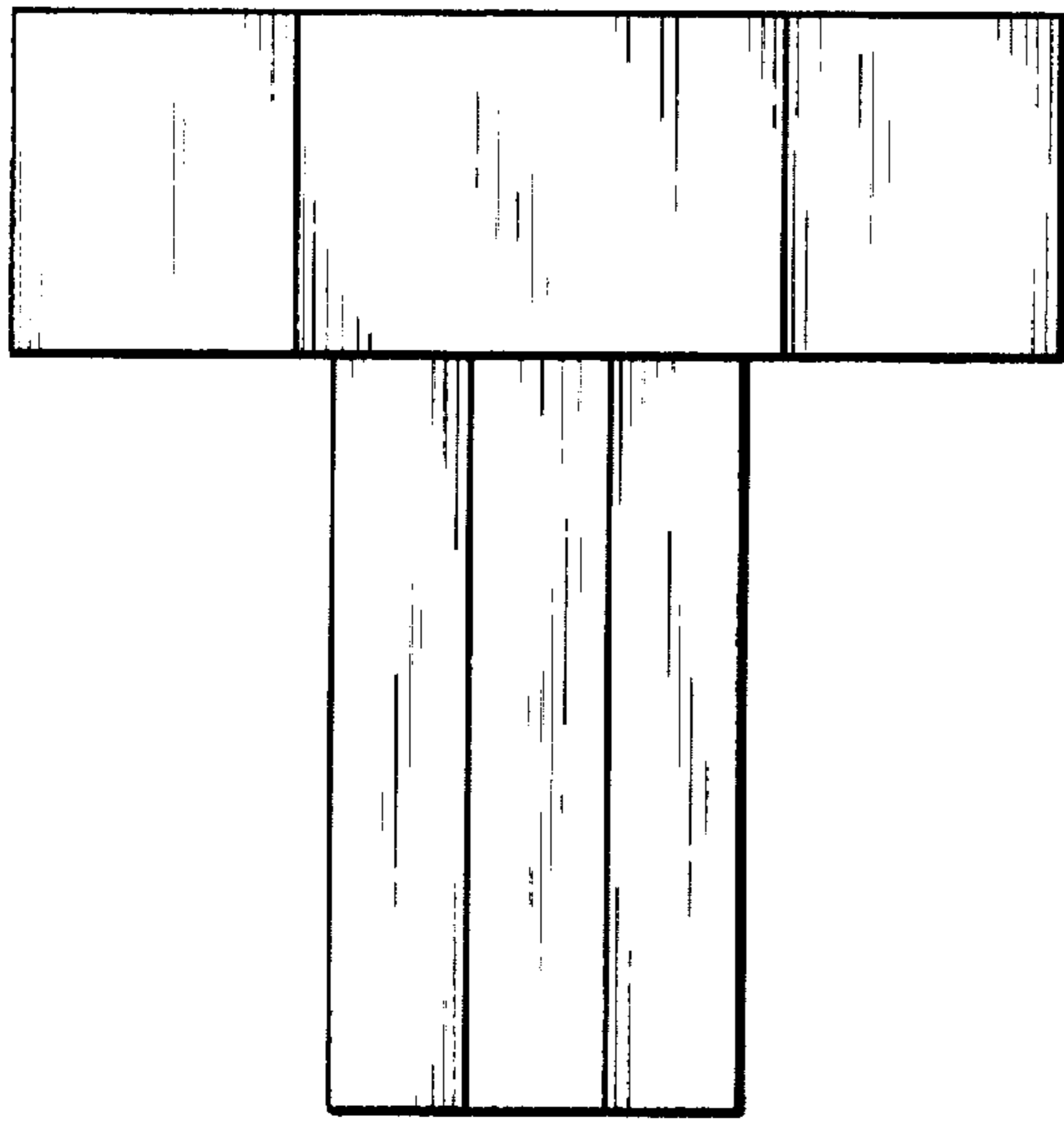




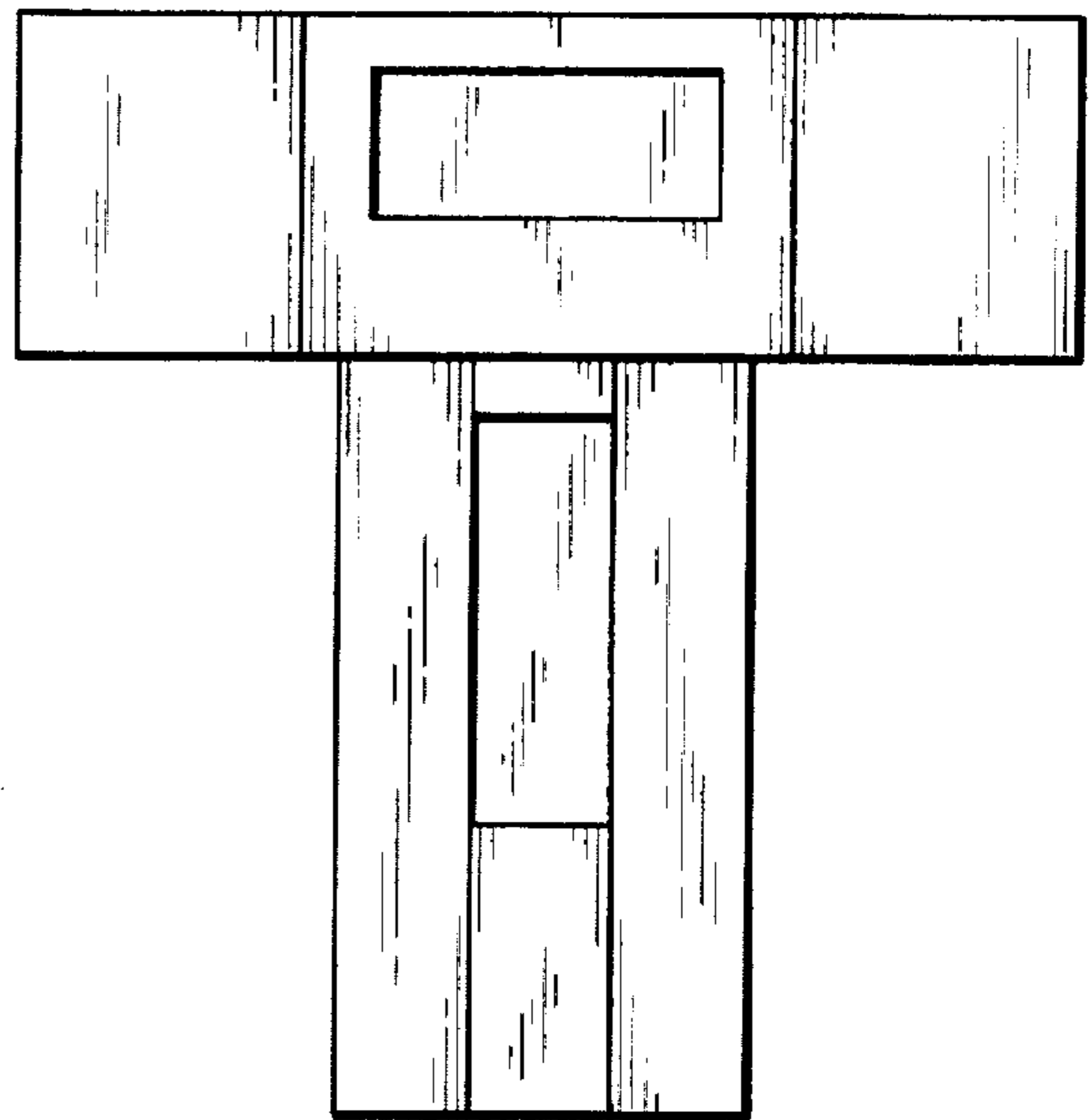
**FIG. 1**



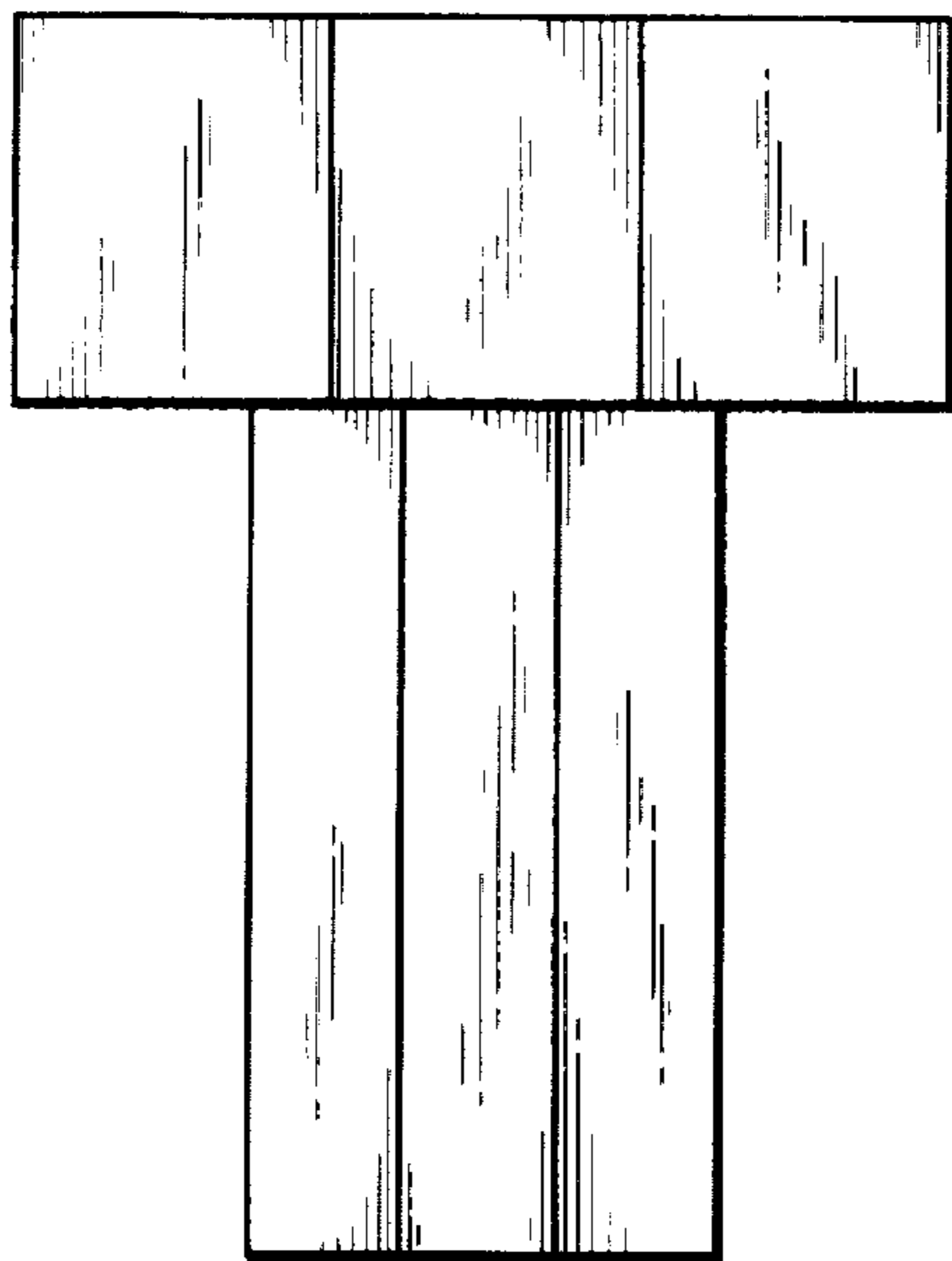
**FIG. 2**



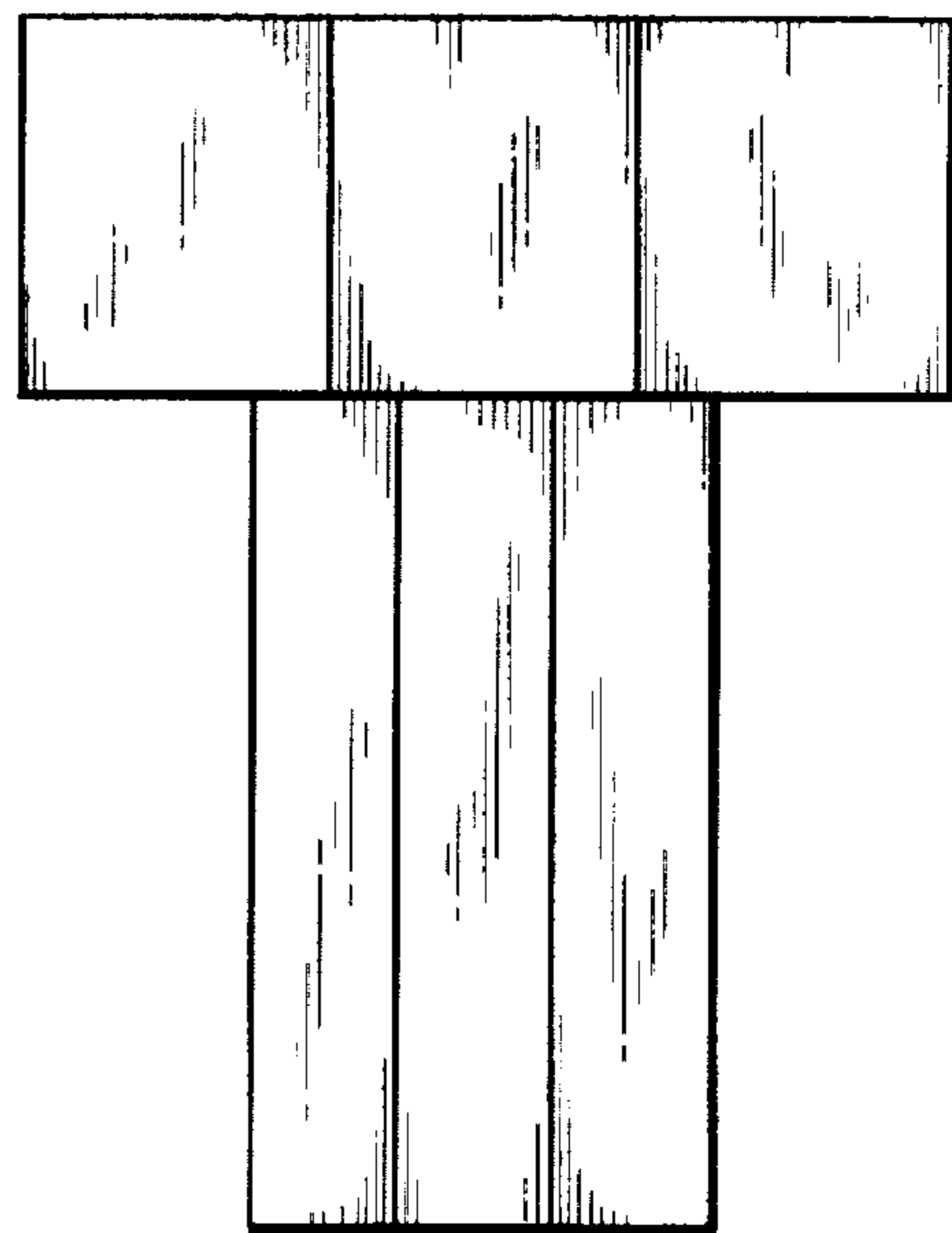
**FIG. 3**



**FIG. 4**



**FIG. 5**



**FIG. 6**