



US00D395065S

**United States Patent** [19]  
**Morgan**

[11] **Patent Number:** **Des. 395,065**  
[45] **Date of Patent:** **\*\*Jun. 9, 1998**

[54] **EXERCISE GLIDING APPARATUS**  
[76] **Inventor:** **Victor E. Morgan, 10370 SW. 103rd Ct, Ocala, Fla. 34481**  
[\*\*] **Term:** **14 Years**  
[21] **Appl. No.:** **69,325**  
[22] **Filed:** **Mar. 28, 1997**  
[51] **LOC (6) Cl.** ..... **21-02**  
[52] **U.S. Cl.** ..... **D21/191**  
[58] **Field of Search** ..... **D21/191, 192, D21/193, 194, 195; 482/51, 52, 53, 70, 71, 74, 118**

5,338,273 8/1994 Metcalf et al. .... 482/70  
5,407,409 4/1995 Tang ..... 482/70

*Primary Examiner*—Philip S. Hyder

[57] **CLAIM**

The ornamental design for a exercise gliding apparatus, as shown.

**DESCRIPTION**

FIG. 1 is a front elevational view of the exercise gliding apparatus of the present invention;  
FIG. 2 is a back elevational view of the exercise gliding apparatus of FIG. 1;  
FIG. 3 is a left side elevational view of the exercise gliding apparatus of FIG. 1;  
FIG. 4 is a right side elevational view of the exercise gliding apparatus of FIG. 1;  
FIG. 5 is a top plan view of the exercise gliding apparatus of FIG. 1; and,  
FIG. 6 is a bottom plan view of the exercise gliding apparatus of FIG. 1.

[56] **References Cited**  
**U.S. PATENT DOCUMENTS**

D. 303,131	8/1989	Lo	.....	D21/192
D. 328,934	8/1992	Friedebach	.....	D21/191
D. 343,214	1/1994	Easley et al.	.....	D21/191
D. 345,593	3/1994	Gerschefske et al.	.....	D21/191
D. 375,767	11/1996	Camfield et al.	.....	D21/191
5,230,677	7/1993	Chi	.....	482/70

**1 Claim, 3 Drawing Sheets**

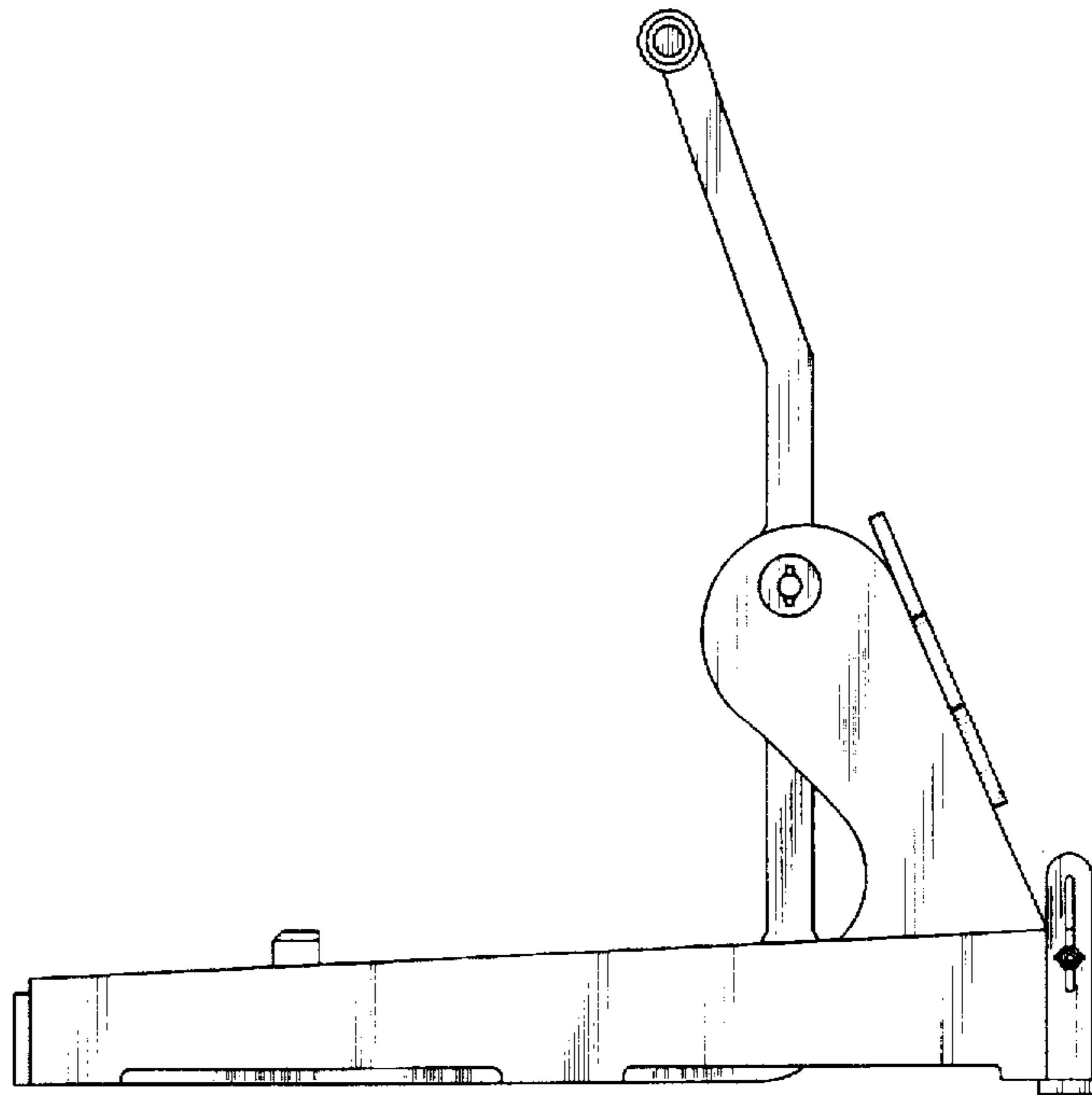
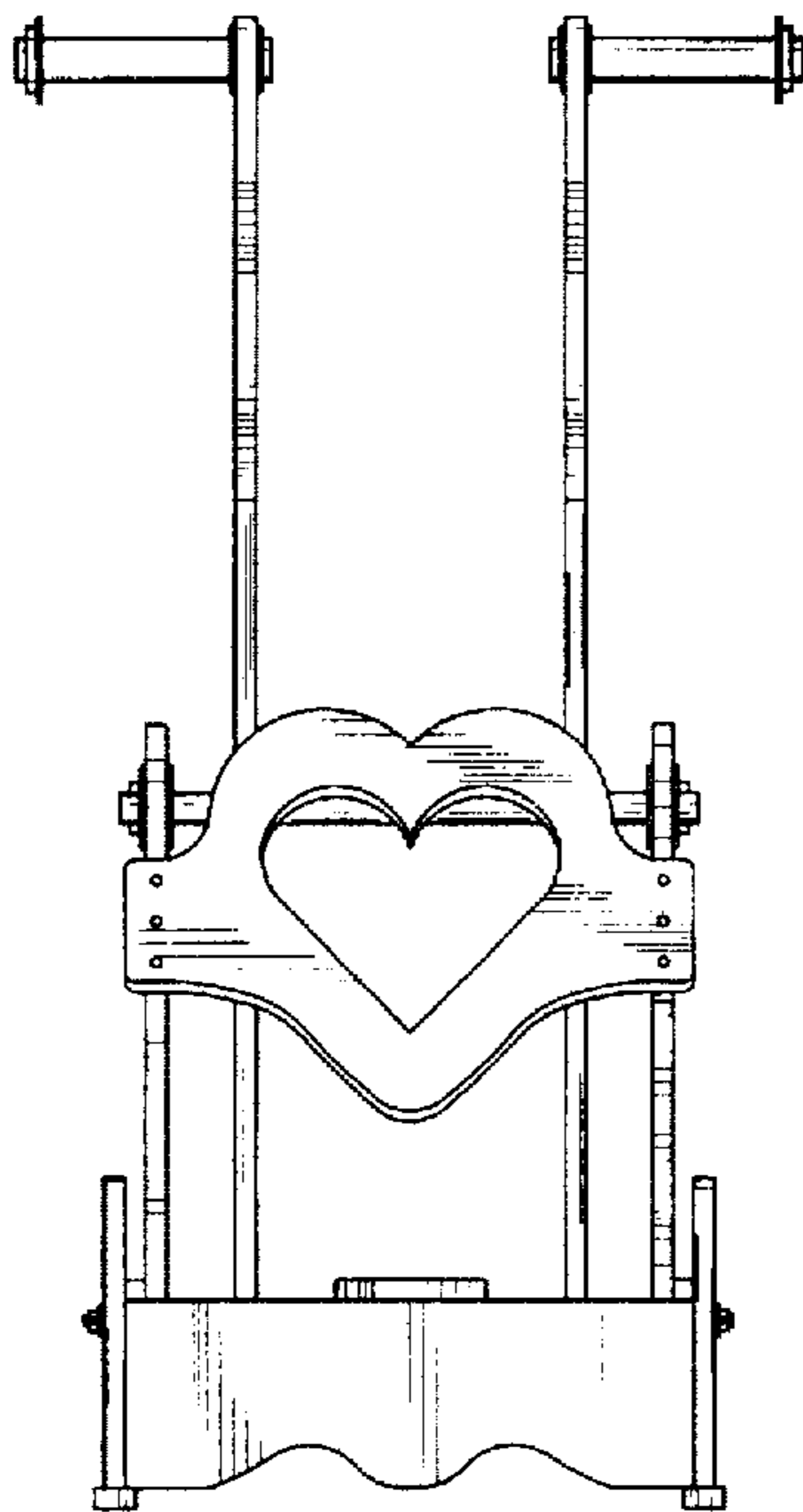


FIG. 1

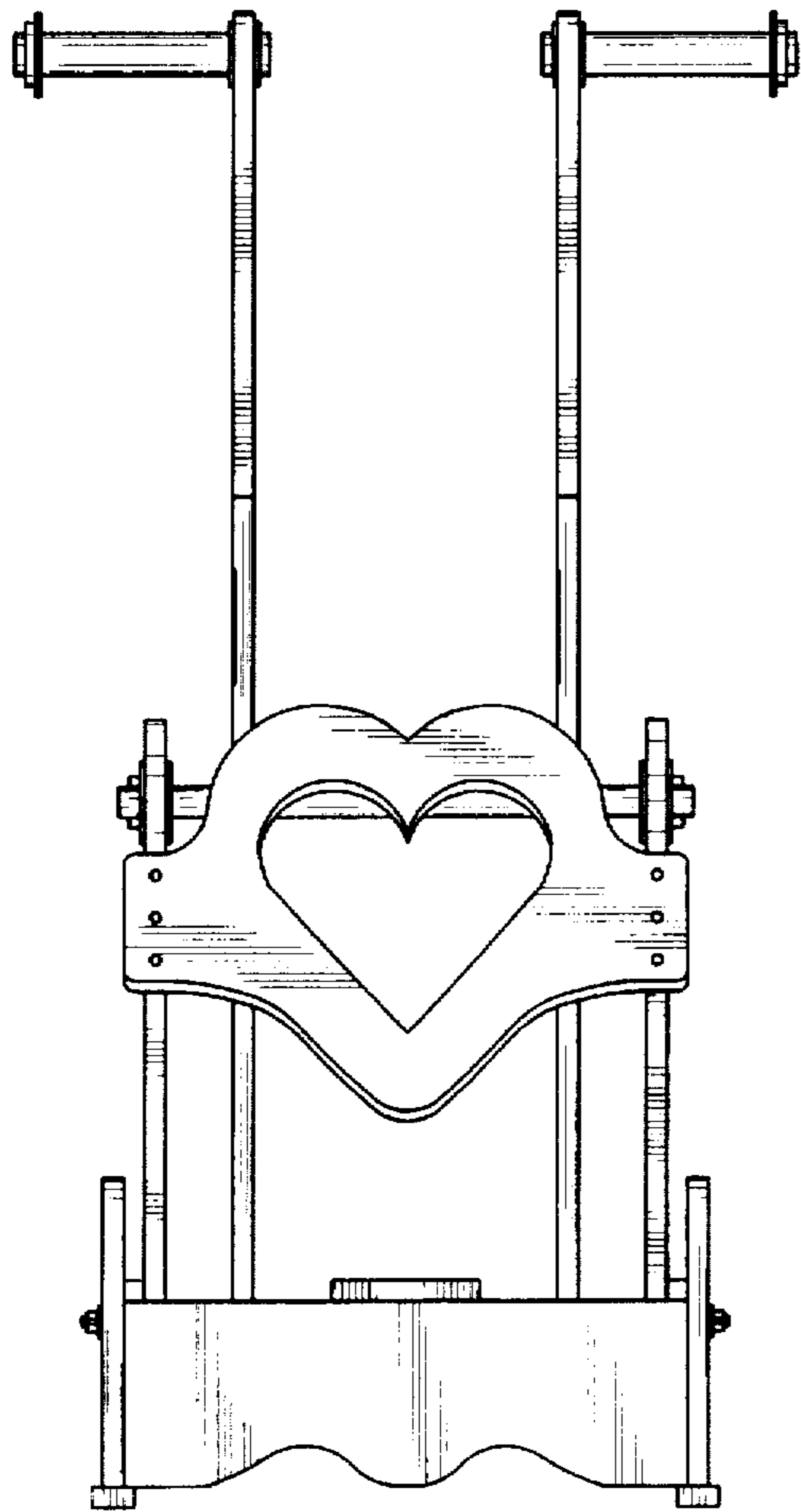
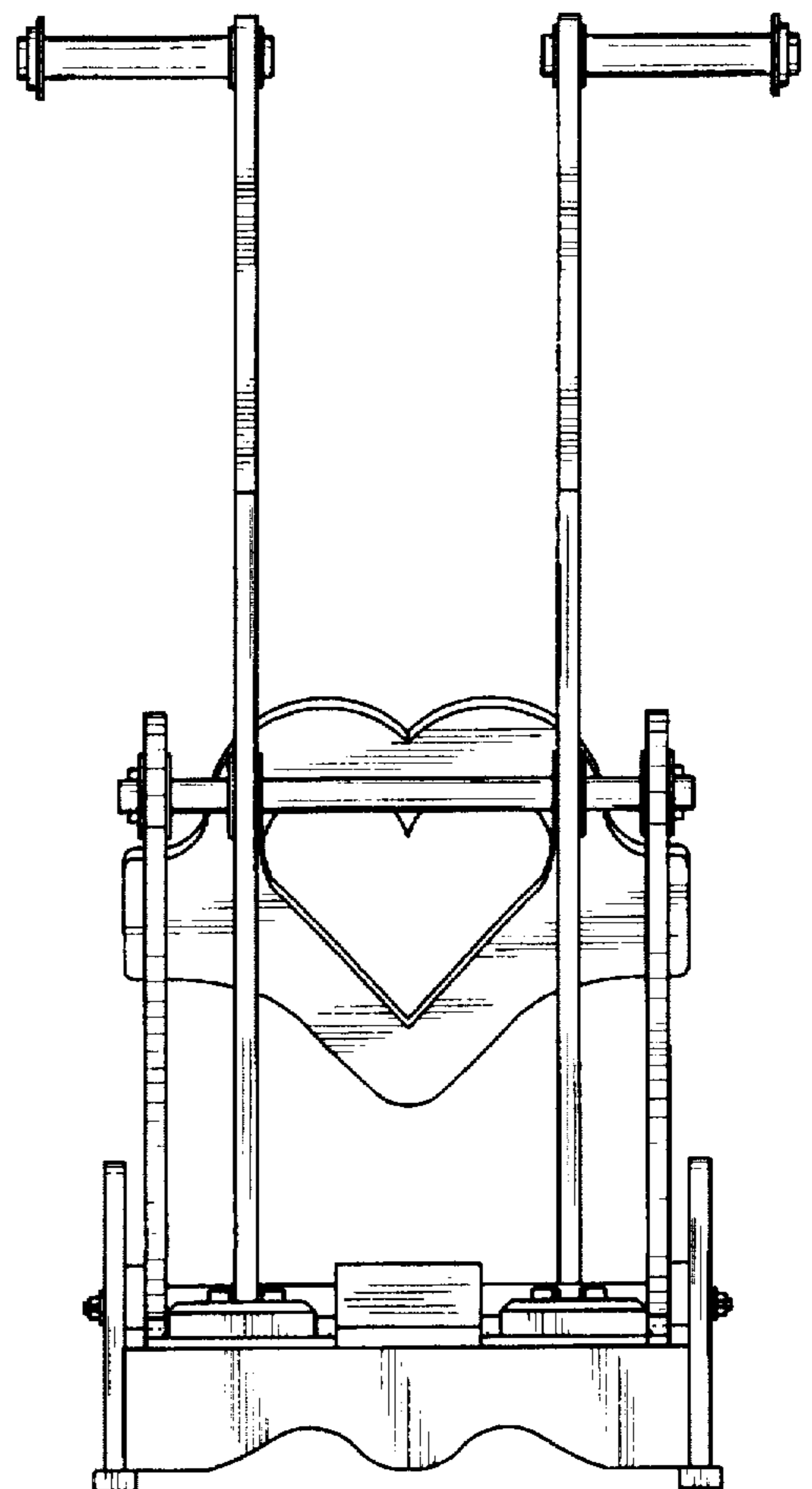


FIG. 2



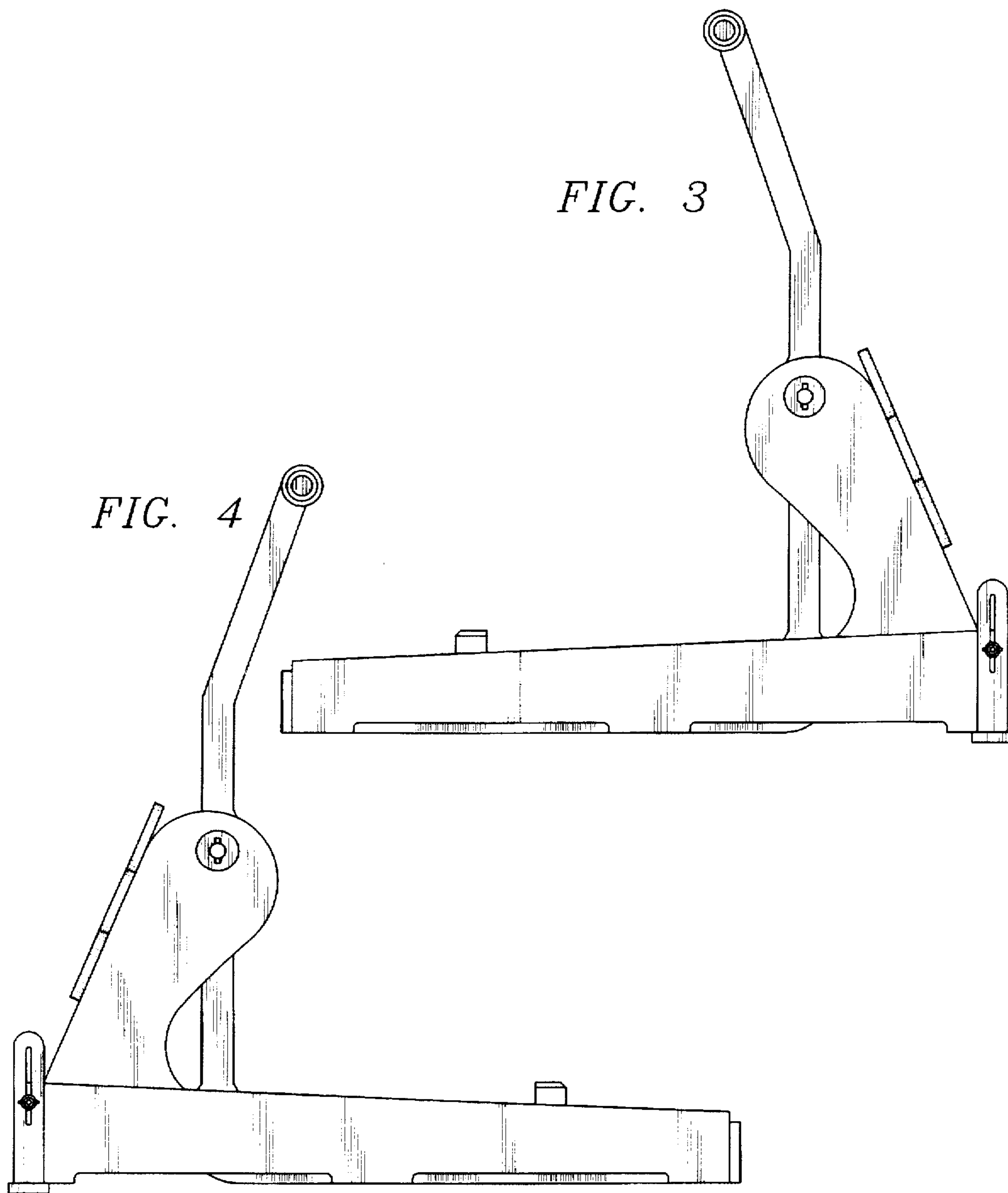


FIG. 5

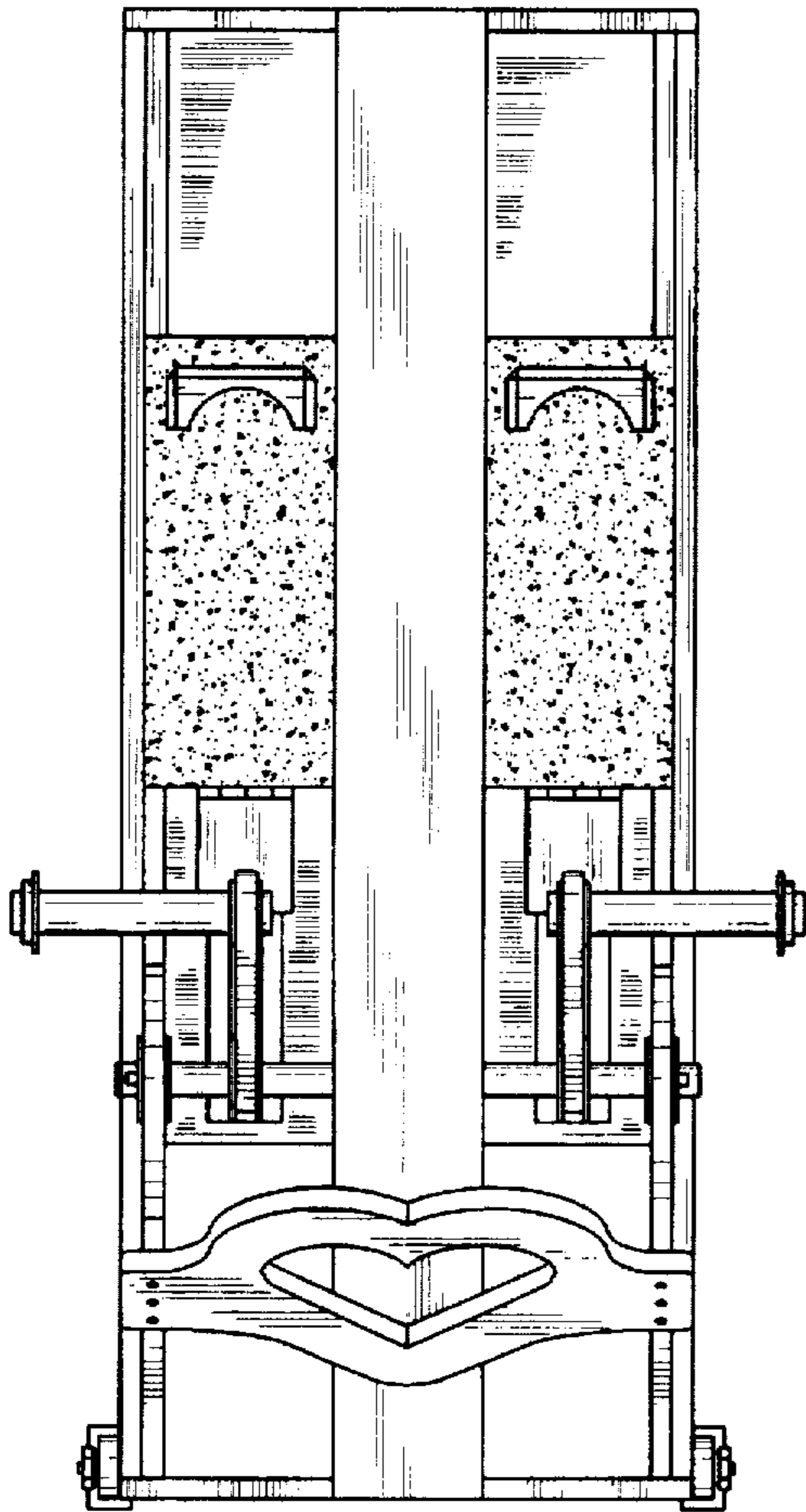


FIG. 6

