



US00D395064S

United States Patent [19]
Pagel

[11] **Patent Number:** **Des. 395,064**
[45] **Date of Patent:** ****Jun. 9, 1998**

[54] **TOY BUILDING ELEMENT**

D. 344,552 2/1994 Berggreen D21/108
4,027,421 6/1977 Allen 446/94
4,571,203 2/1986 Murakami 446/93

[75] **Inventor:** **Kim Pagel**, Billund, Denmark

[73] **Assignee:** **INTERLEGO AG**, Baar, Switzerland

Primary Examiner—Raphael Barkai
Attorney, Agent, or Firm—Kane, Dalsimer, Sullivan,
Kurucz, Levy, Eisele and Richard, LLP

[**] **Term:** **14 Years**

[21] **Appl. No.:** **76,925**

[57] **CLAIM**

[22] **Filed:** **Sep. 18, 1997**

The ornamental design for a toy building element, as shown and described.

[51] **LOC (6) Cl.** **21-01**

[52] **U.S. Cl.** **D21/108; D21/141**

[58] **Field of Search** D21/71-81, 108,
D21/109, 128, 134, 137, 141; D12/110-112;
446/88, 93-96, 103, 120, 121, 124-125,
128, 440, 454, 456, 468-471

DESCRIPTION

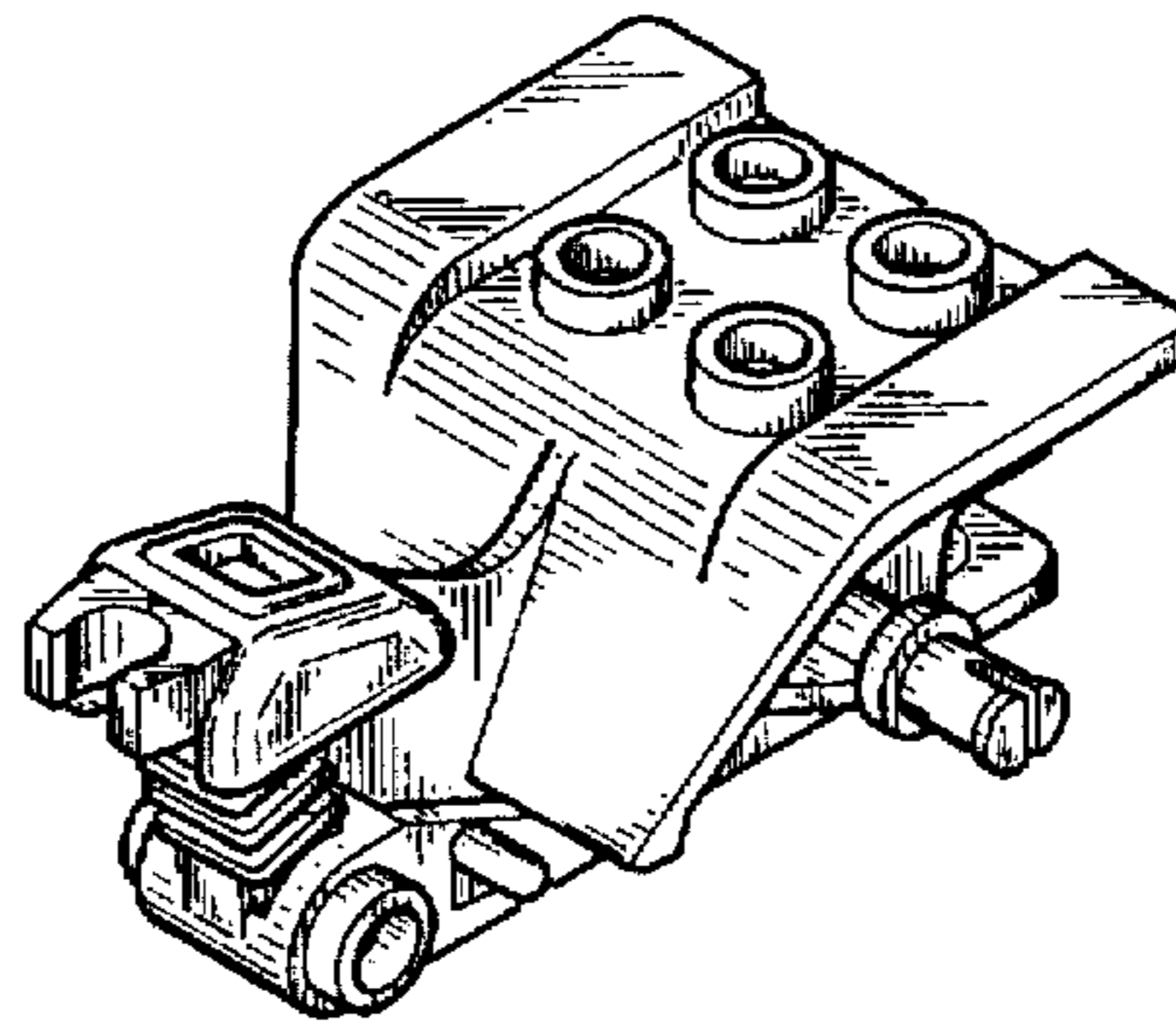
FIG. 1 is a top perspective view of the toy building element;
FIG. 2 is a bottom perspective view thereof;
FIG. 3 is a front elevational view thereof;
FIG. 4 is a right side elevational view thereof;
FIG. 5 is a left side elevational view thereof;
FIG. 6 is a rear elevational view thereof;
FIG. 7 is a bottom plan view thereof; and,
FIG. 8 is a top plan view thereof.

[56] **References Cited**

U.S. PATENT DOCUMENTS

D. 304,221 10/1989 Poulsen D21/141
D. 311,942 11/1990 Dideriksen D21/141
D. 344,305 2/1994 Berggreen D21/108

1 Claim, 2 Drawing Sheets



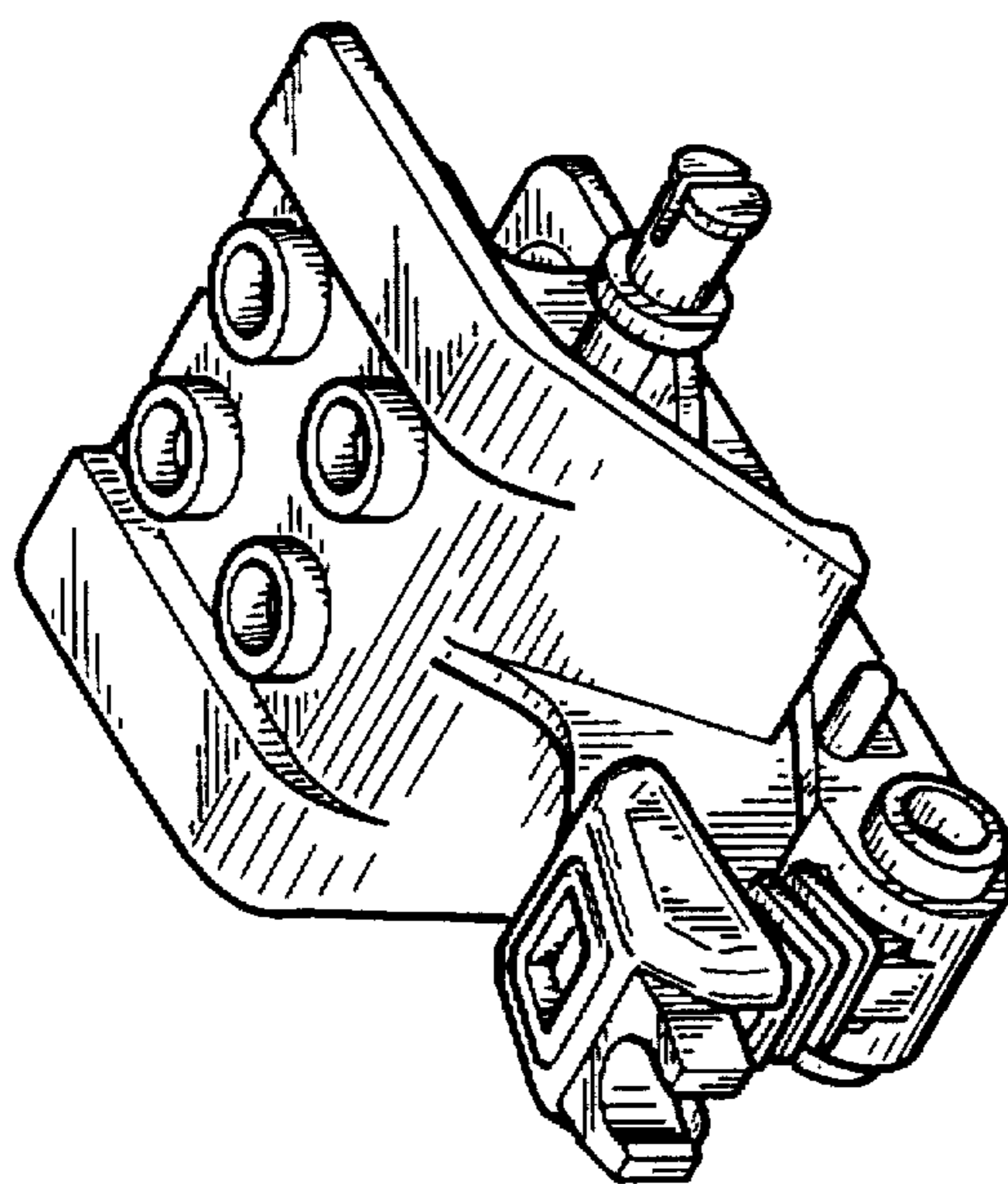


Fig. 1

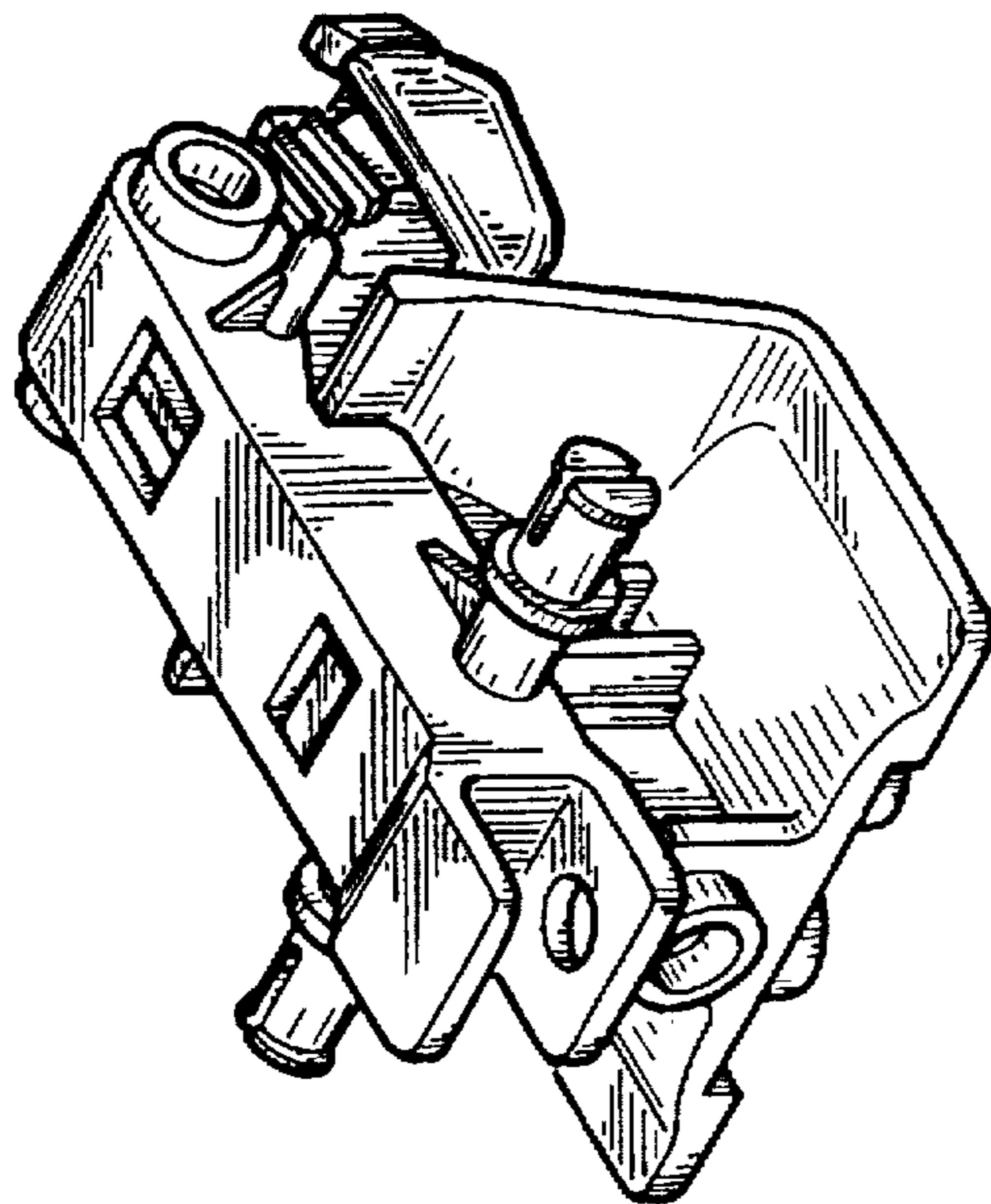


Fig. 2

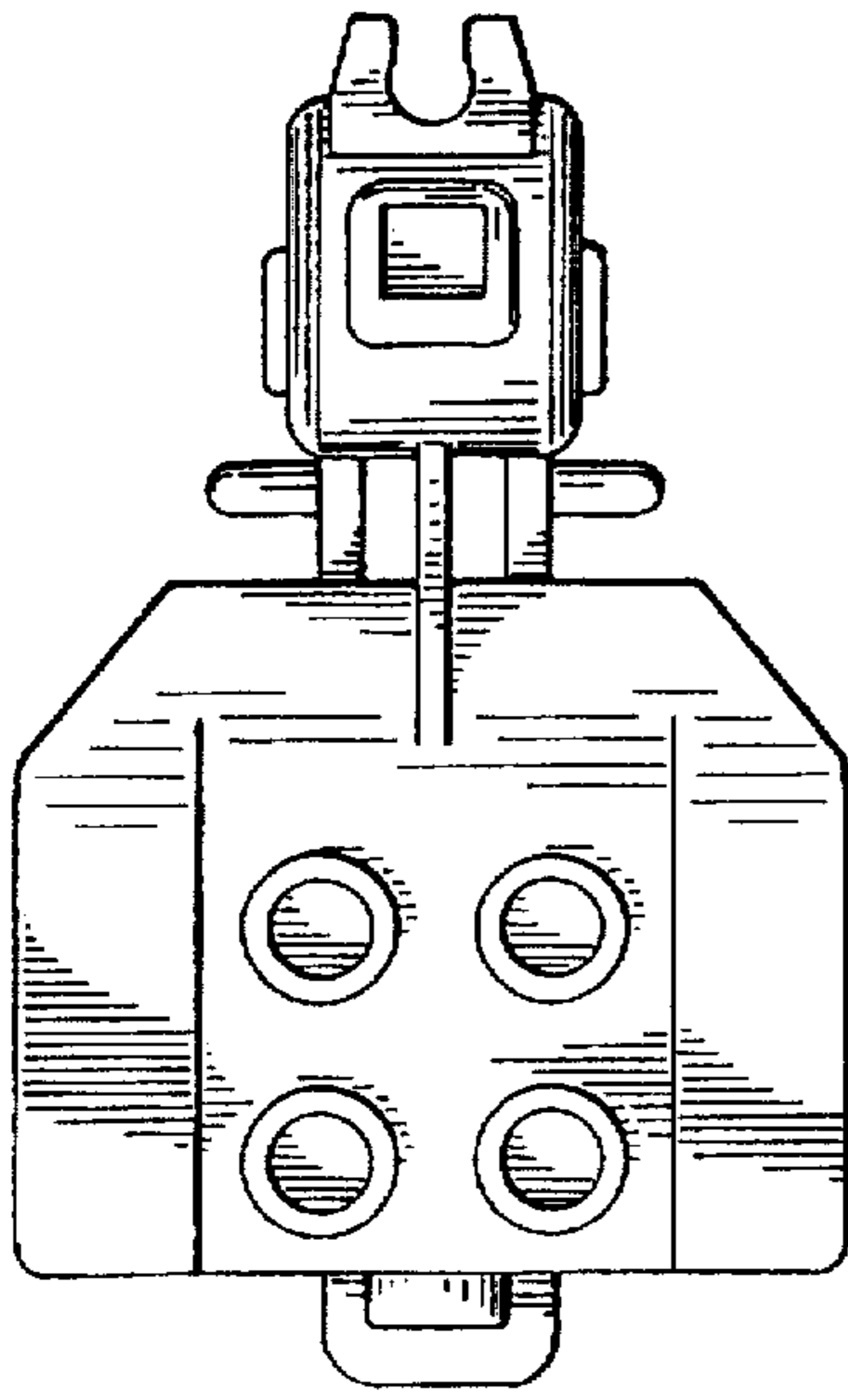


Fig. 8

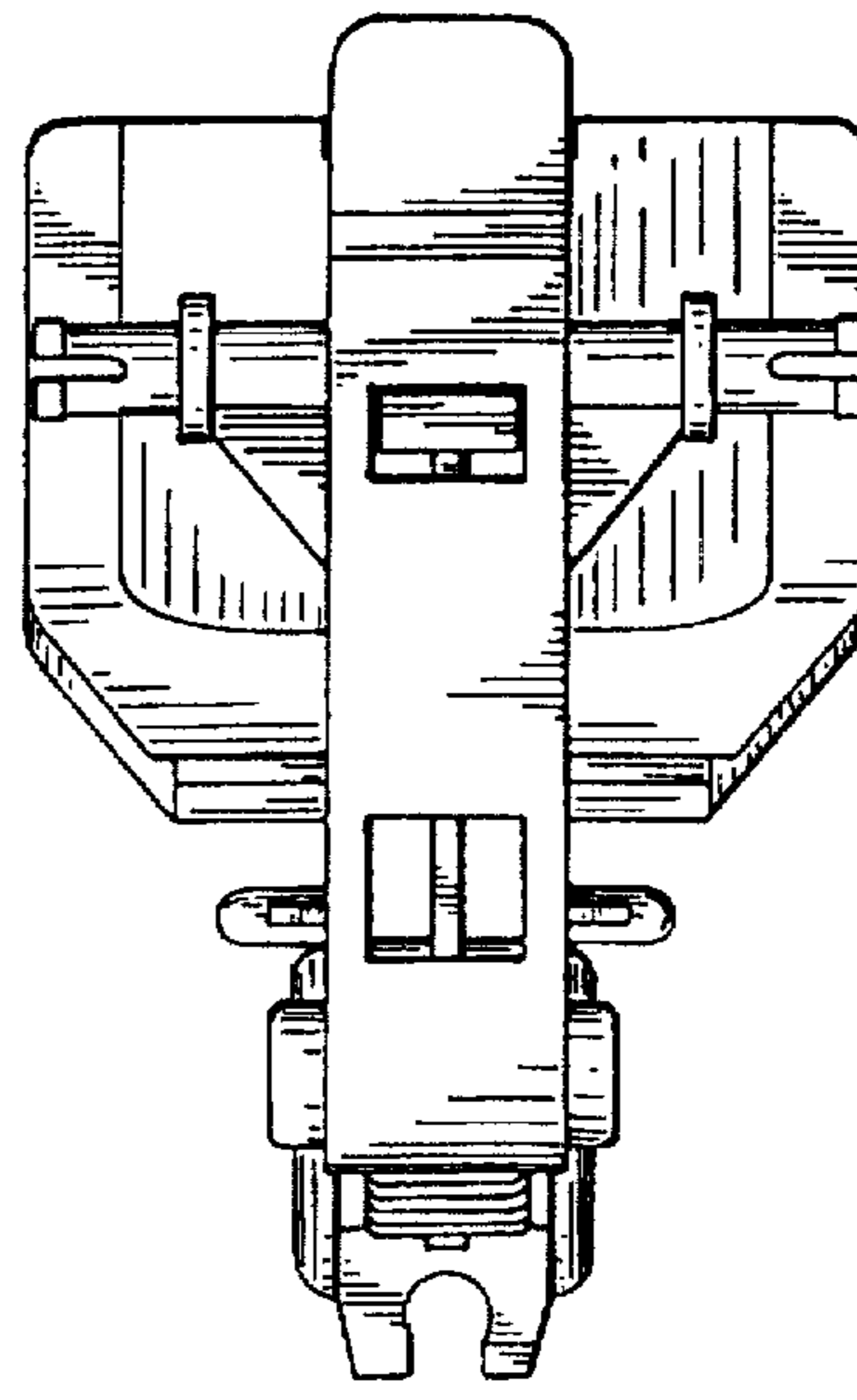


Fig. 7

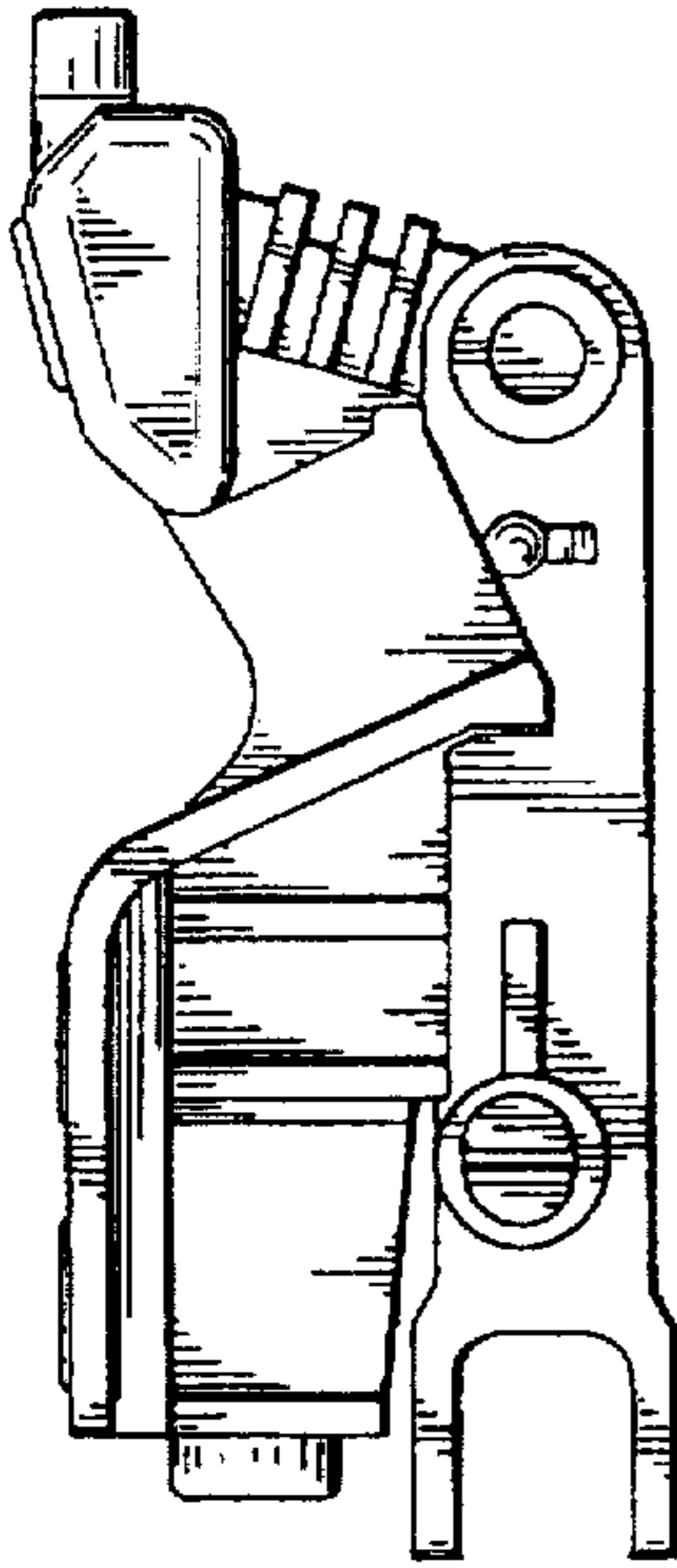


Fig. 5

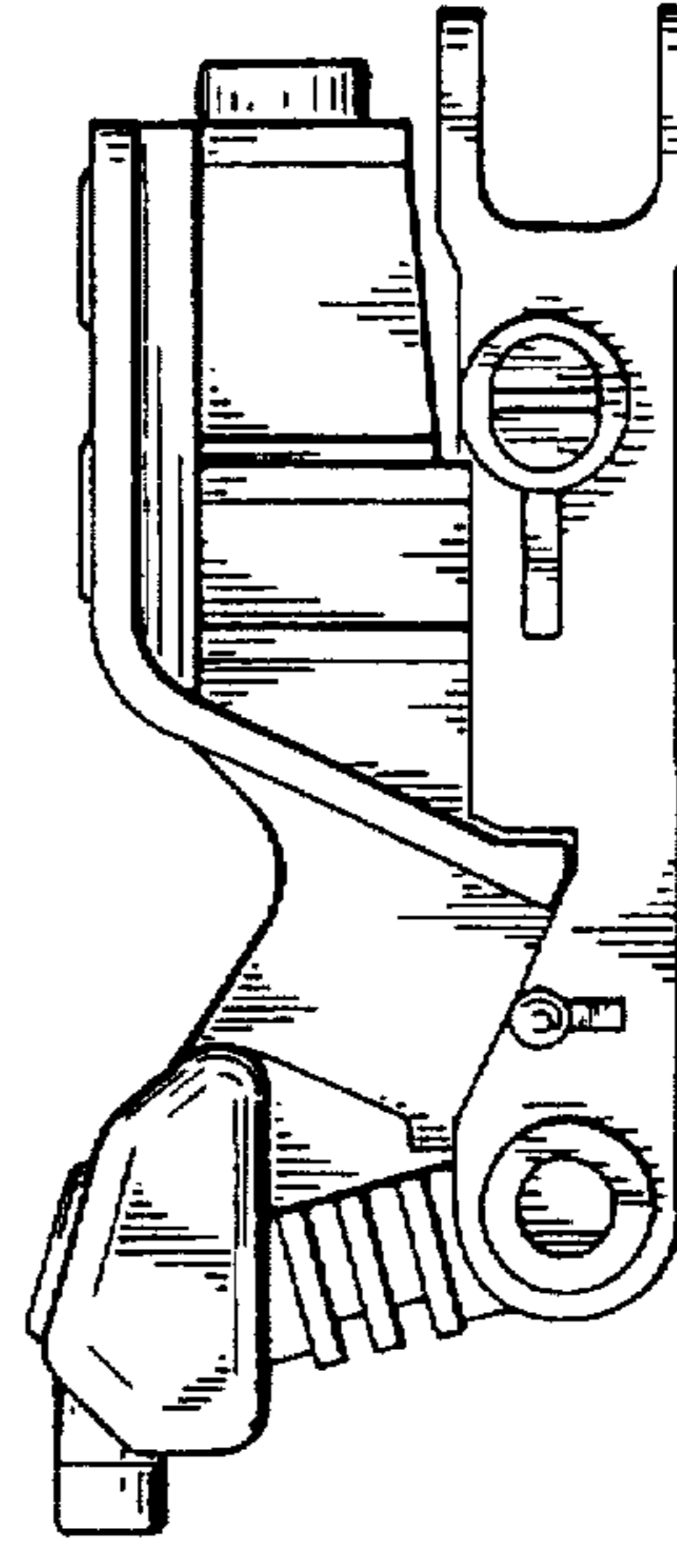


Fig. 4

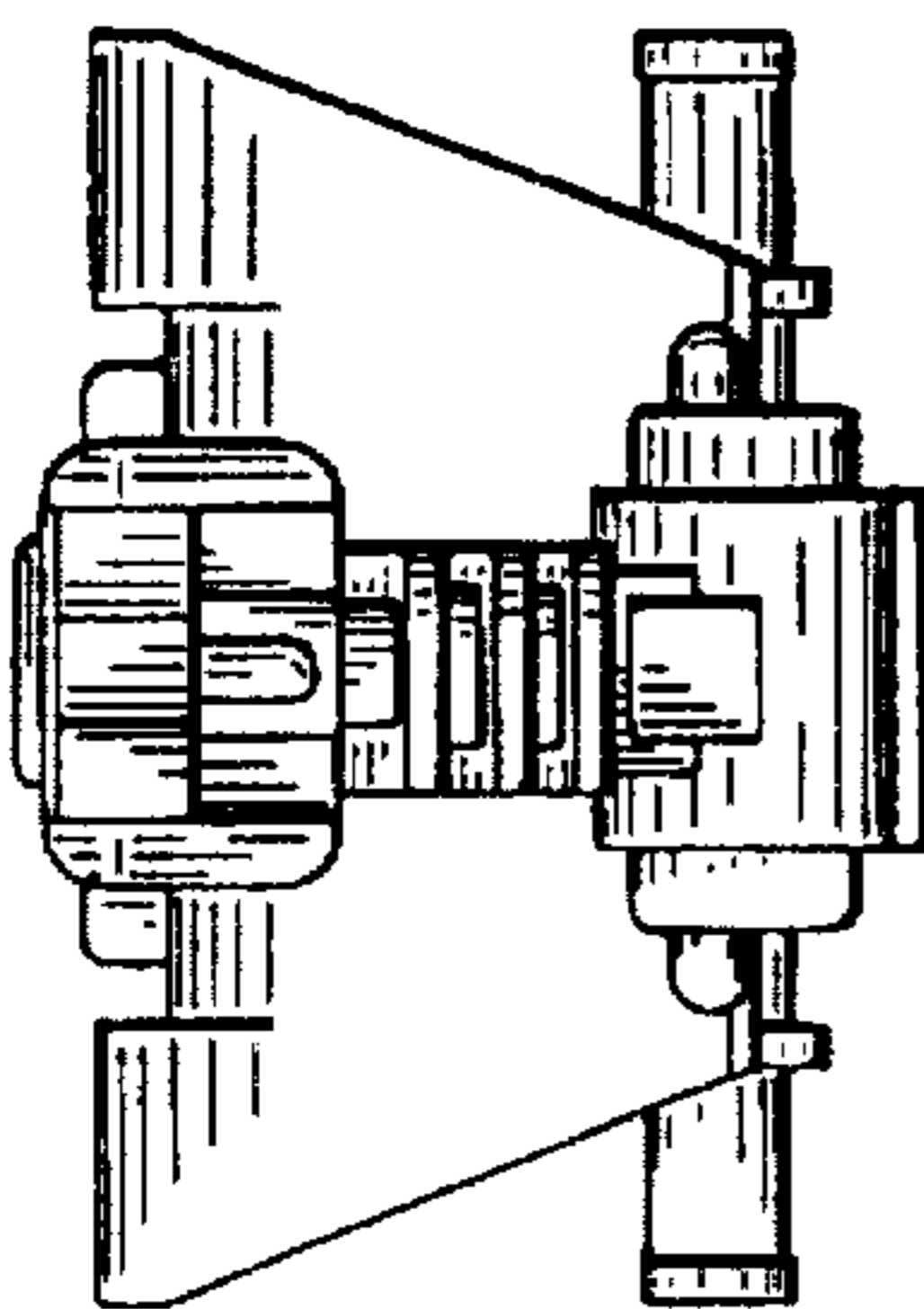


Fig. 3

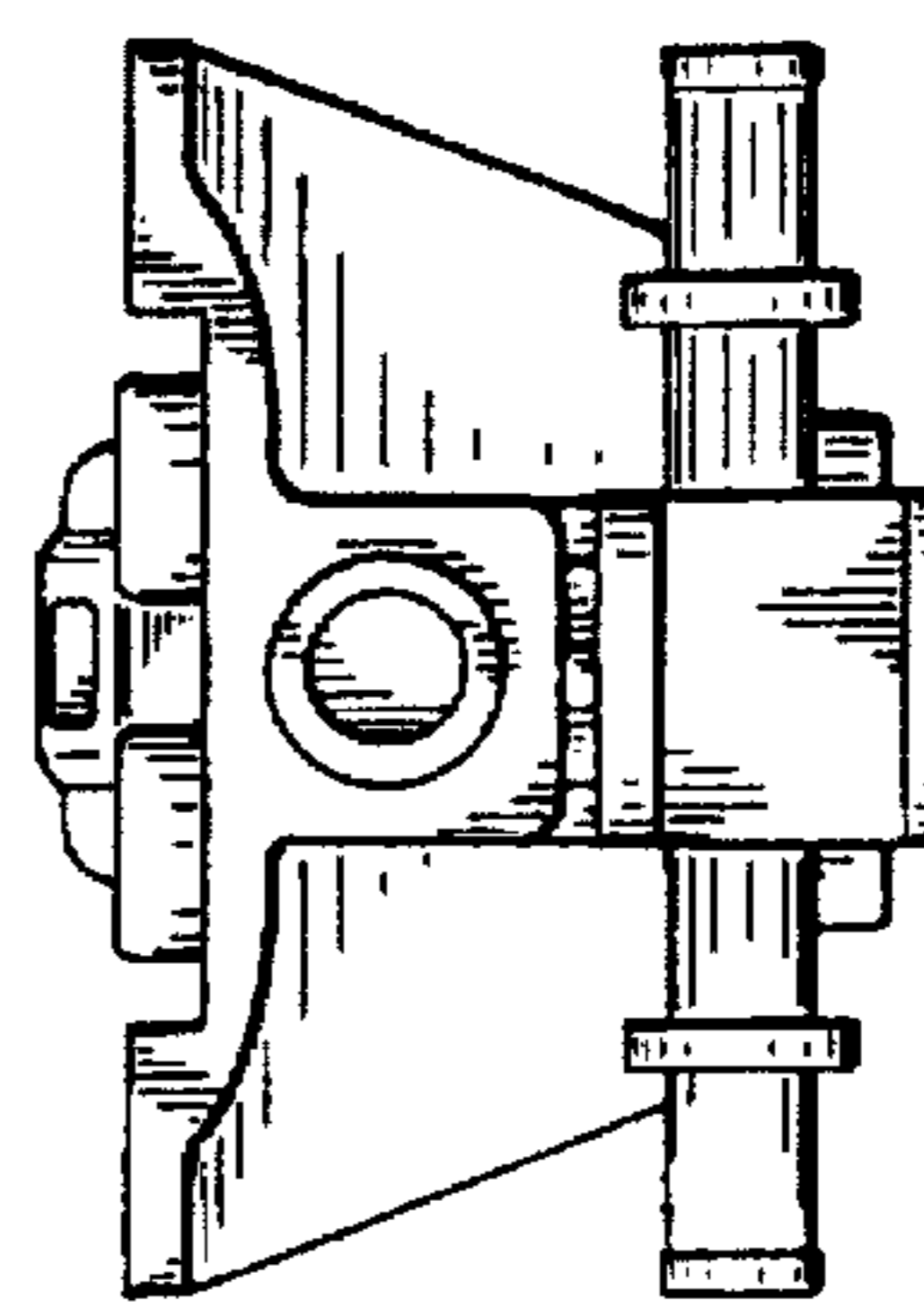


Fig. 6