



US00D395061S

United States Patent [19]
Shoptaugh

[11] **Patent Number:** **Des. 395,061**
[45] **Date of Patent:** ****Jun. 9, 1998**

[54] **CONTAINER**

DESCRIPTION

[76] **Inventor:** **Philip LeRoy Shoptaugh**, 5860 Buena Vista Ave., Oakland, Calif. 94618

[**] **Term:** **14 Years**

[21] **Appl. No.:** **65,459**

[22] **Filed:** **Jan. 22, 1997**

[51] **LOC (6) Cl.** **21-01**

[52] **U.S. Cl.** **D21/55; D21/20; D21/24**

[58] **Field of Search** **D21/14-36, 54, D21/55; 273/236-238, 148 R, 148 A, 150, 151**

[56] **References Cited**

U.S. PATENT DOCUMENTS

3,477,715	11/1969	Nekton	273/239
5,328,187	7/1994	De Marchi	273/239
5,566,944	10/1996	Anderson	273/260

Primary Examiner—Sandra L. Morris

Attorney, Agent, or Firm—Wood, Herron & Evans, L.L.P.

[57] **CLAIM**

The ornamental design for a container, as shown and described.

FIG. 1 shows a top view of the container in a first configuration;

FIG. 2 shows a front perspective view of the container in the first configuration;

FIG. 3 shows an exploded view of the container in the first configuration;

FIG. 4 shows a side view of the container in the first configuration;

FIG. 5 shows a bottom view of the container in the first configuration;

FIG. 6 shows a top view of the container in a second configuration;

FIG. 7 shows a front perspective view of the container in the second configuration;

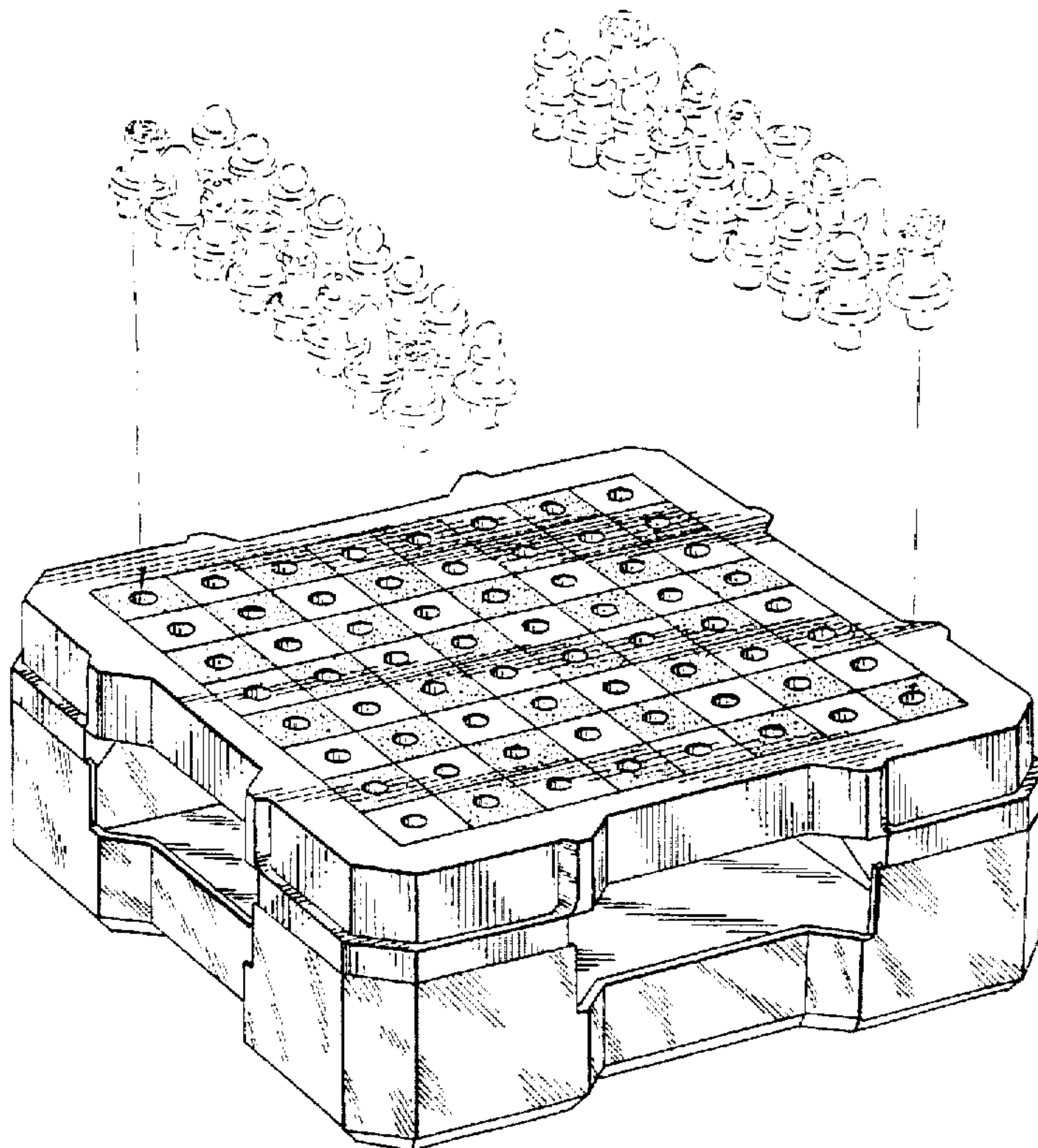
FIG. 8 shows an exploded view of the container in the second configuration;

FIG. 9 shows a side view of the container in the second configuration;

FIG. 10 shows a bottom view of the container in the second configuration; and,

FIG. 11 shows a front perspective view of the container with the playing pieces shown in broken lines and removed therefrom.

1 Claim, 7 Drawing Sheets



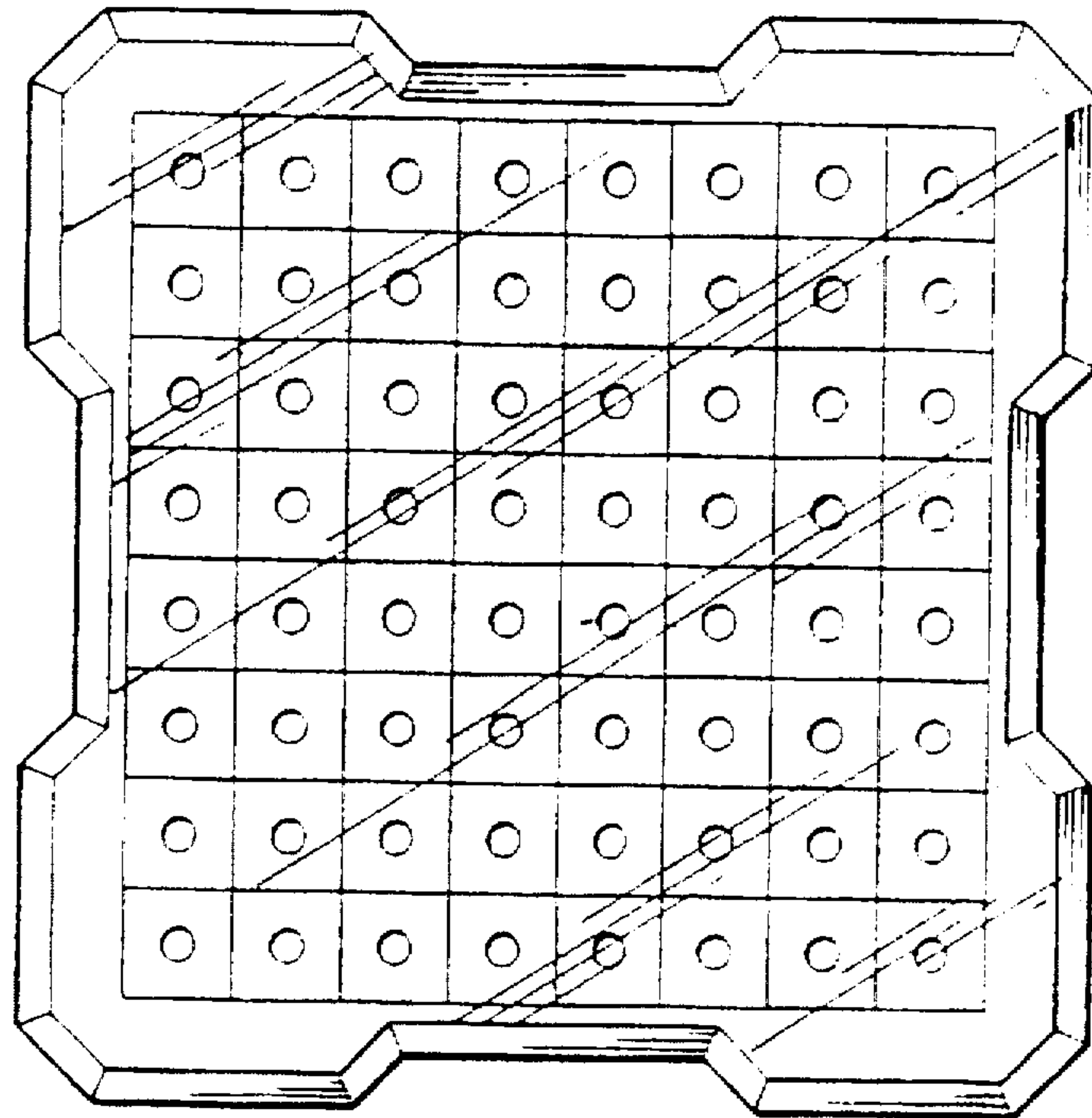


Fig. 1

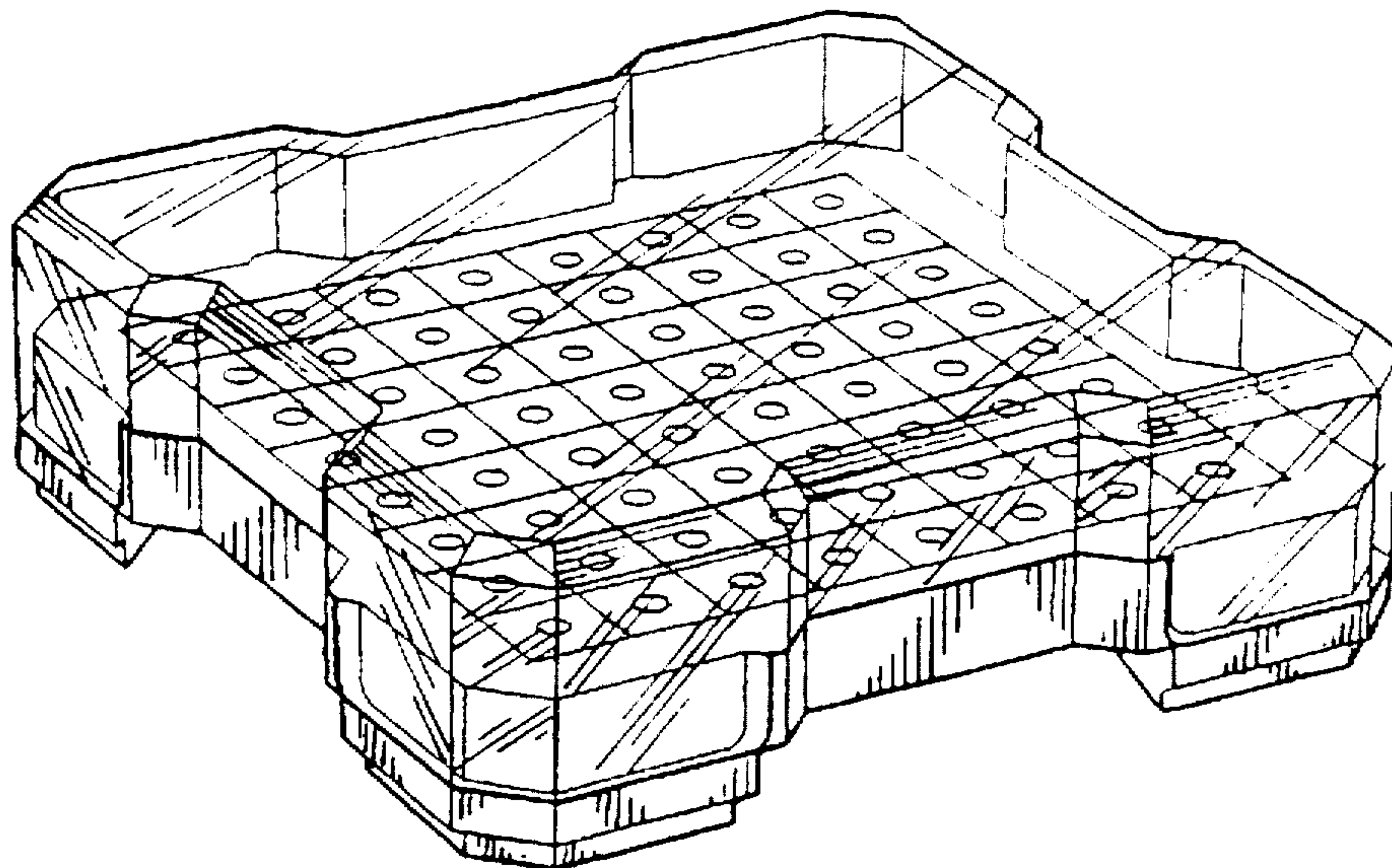


Fig. 2

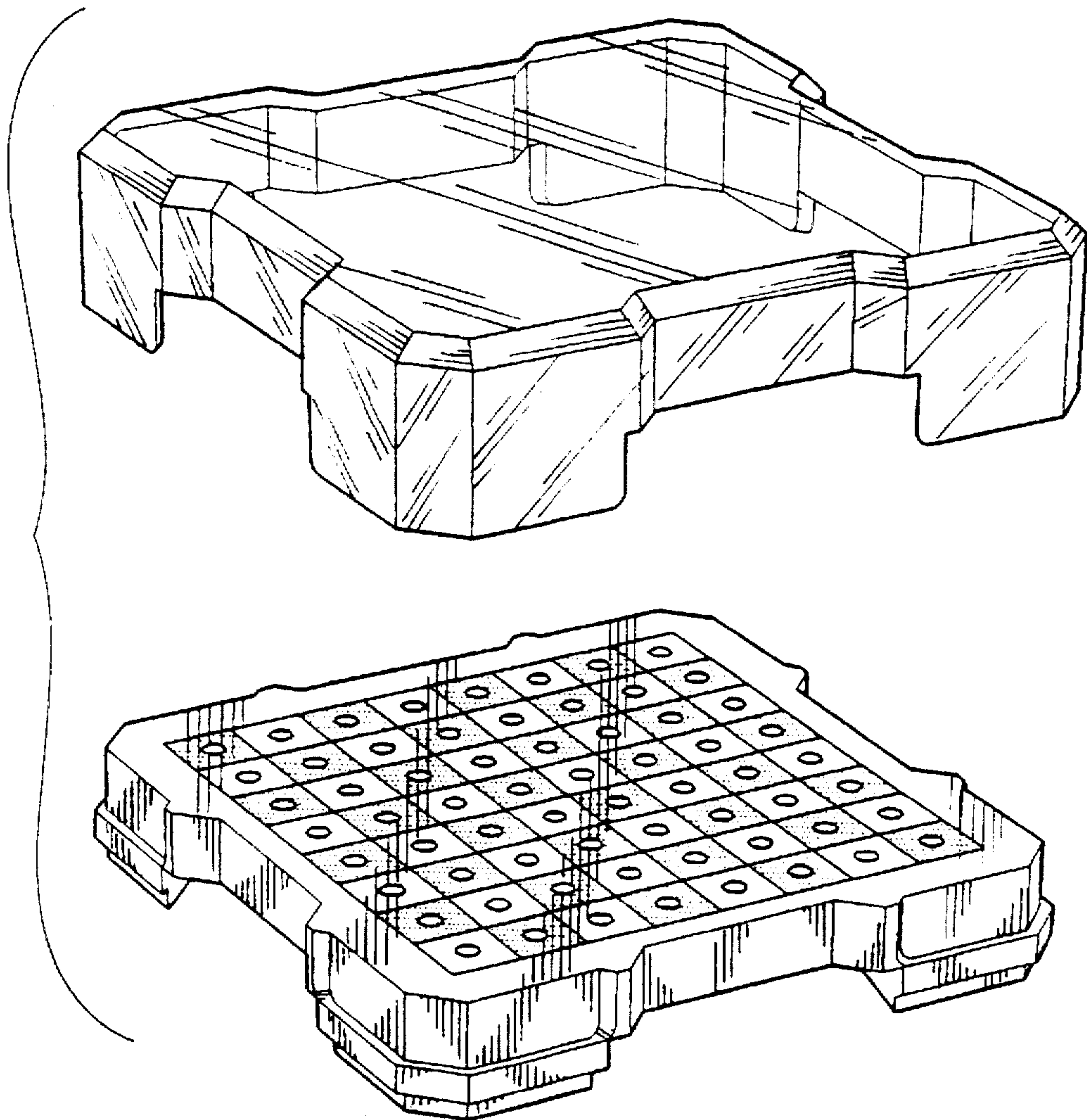


Fig. 3

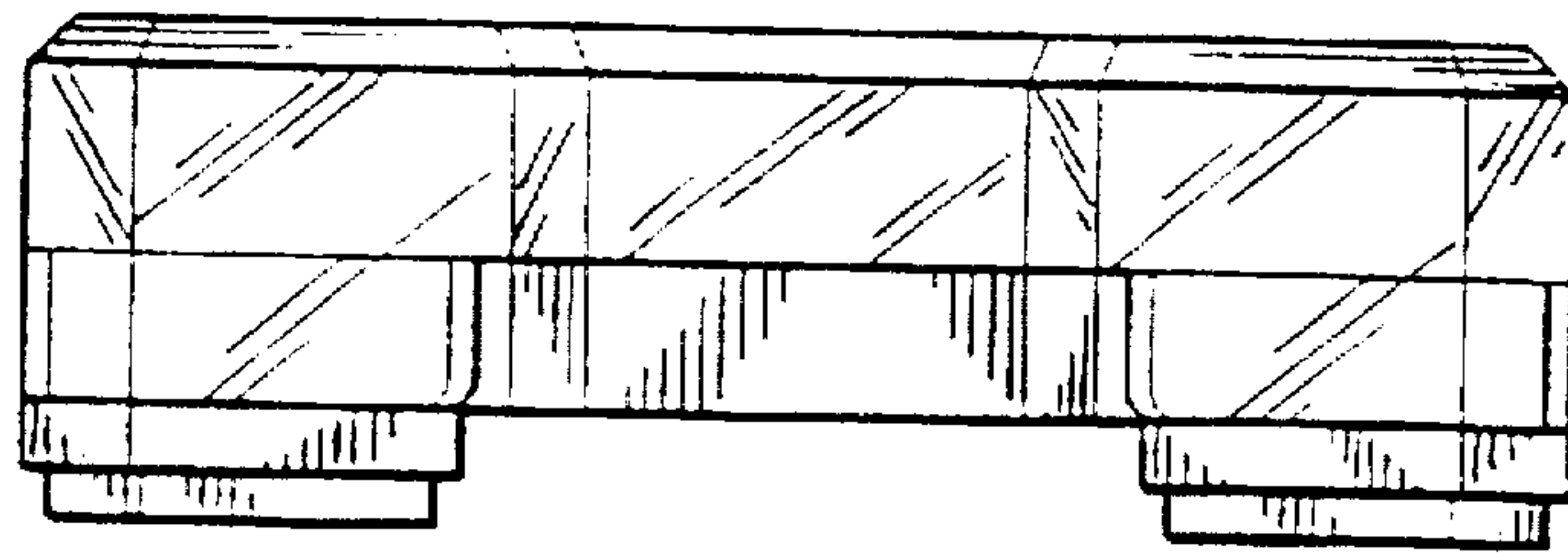


Fig. 4

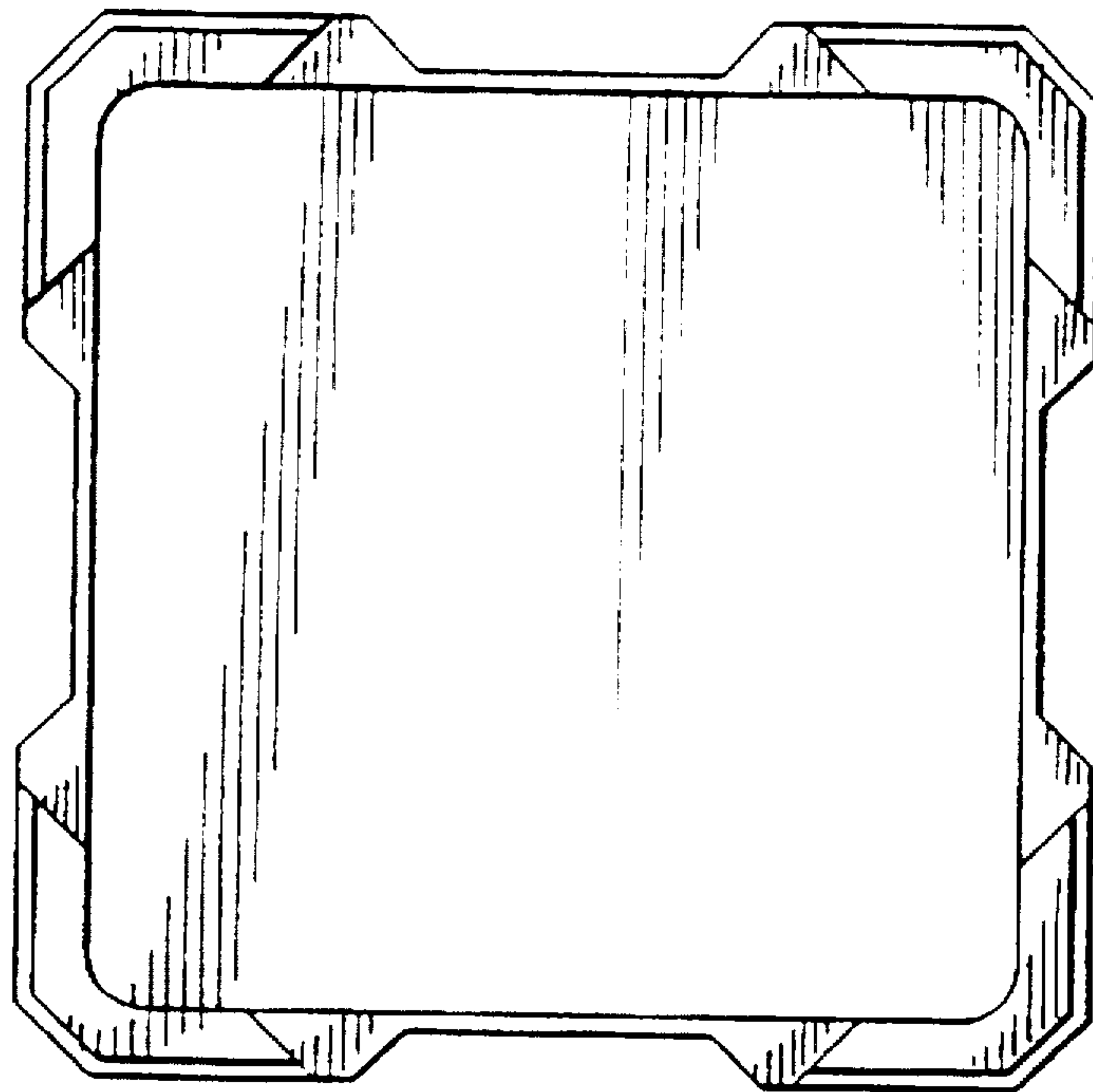


Fig. 5

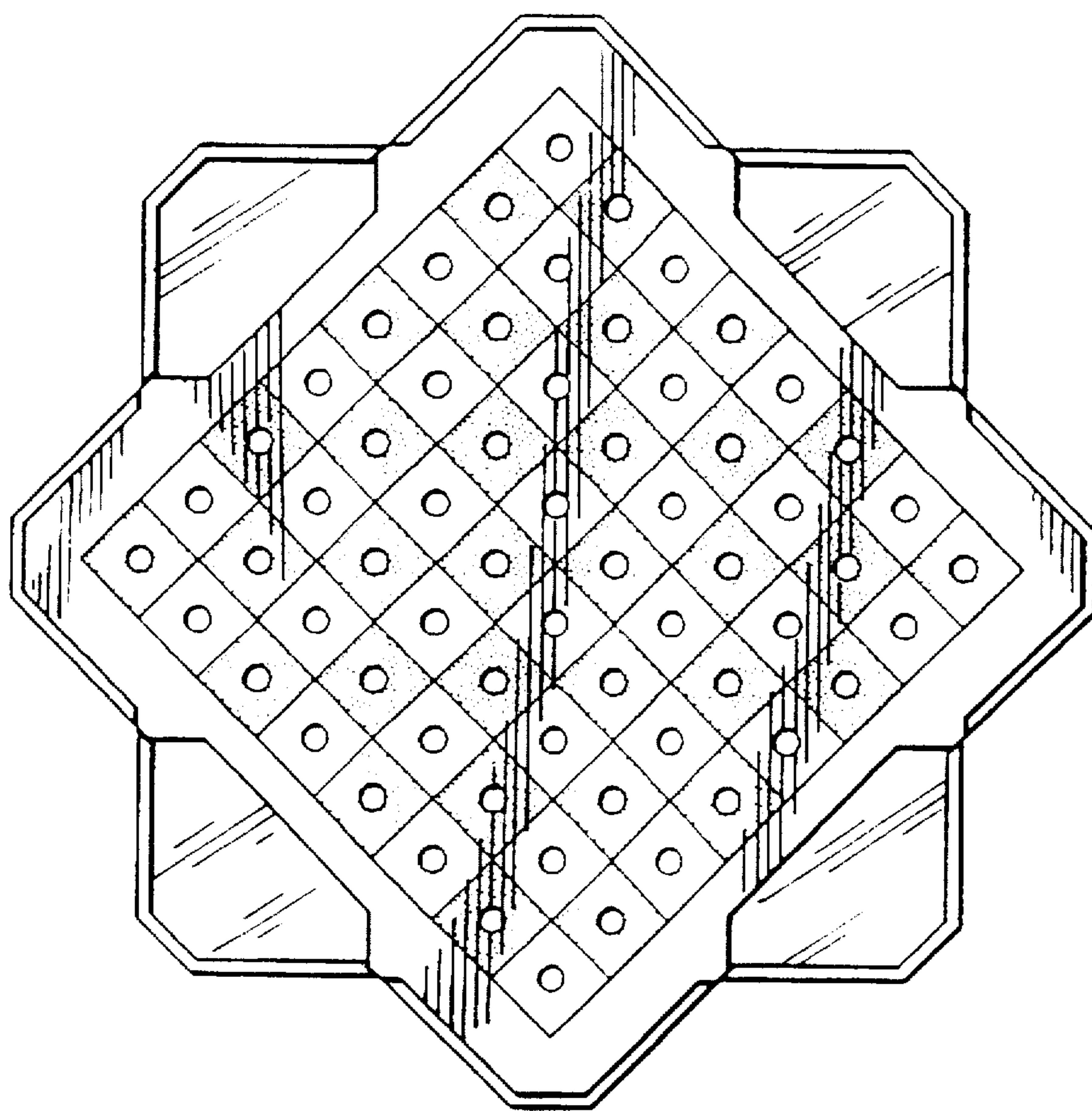


Fig. 6

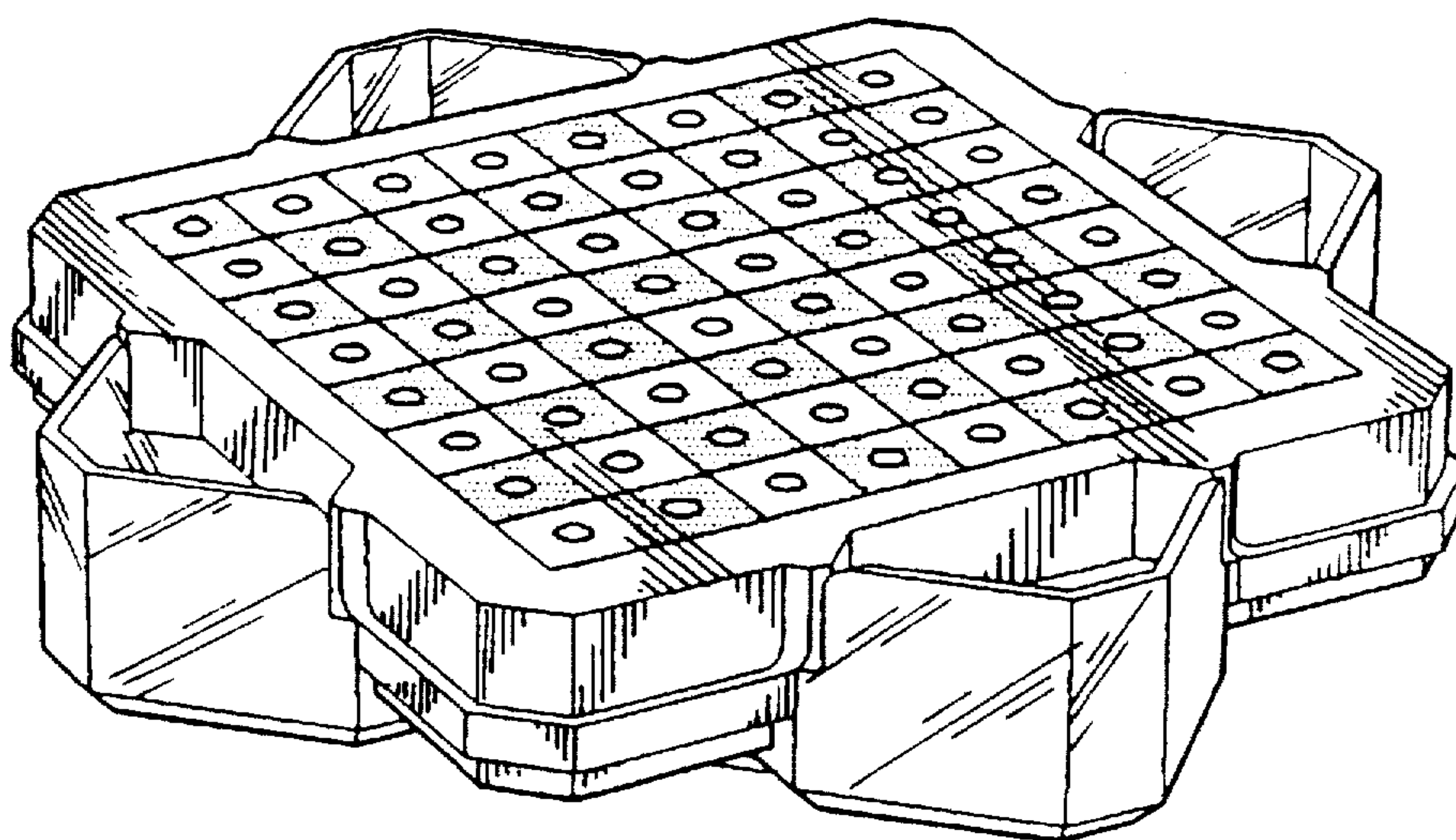


Fig. 7

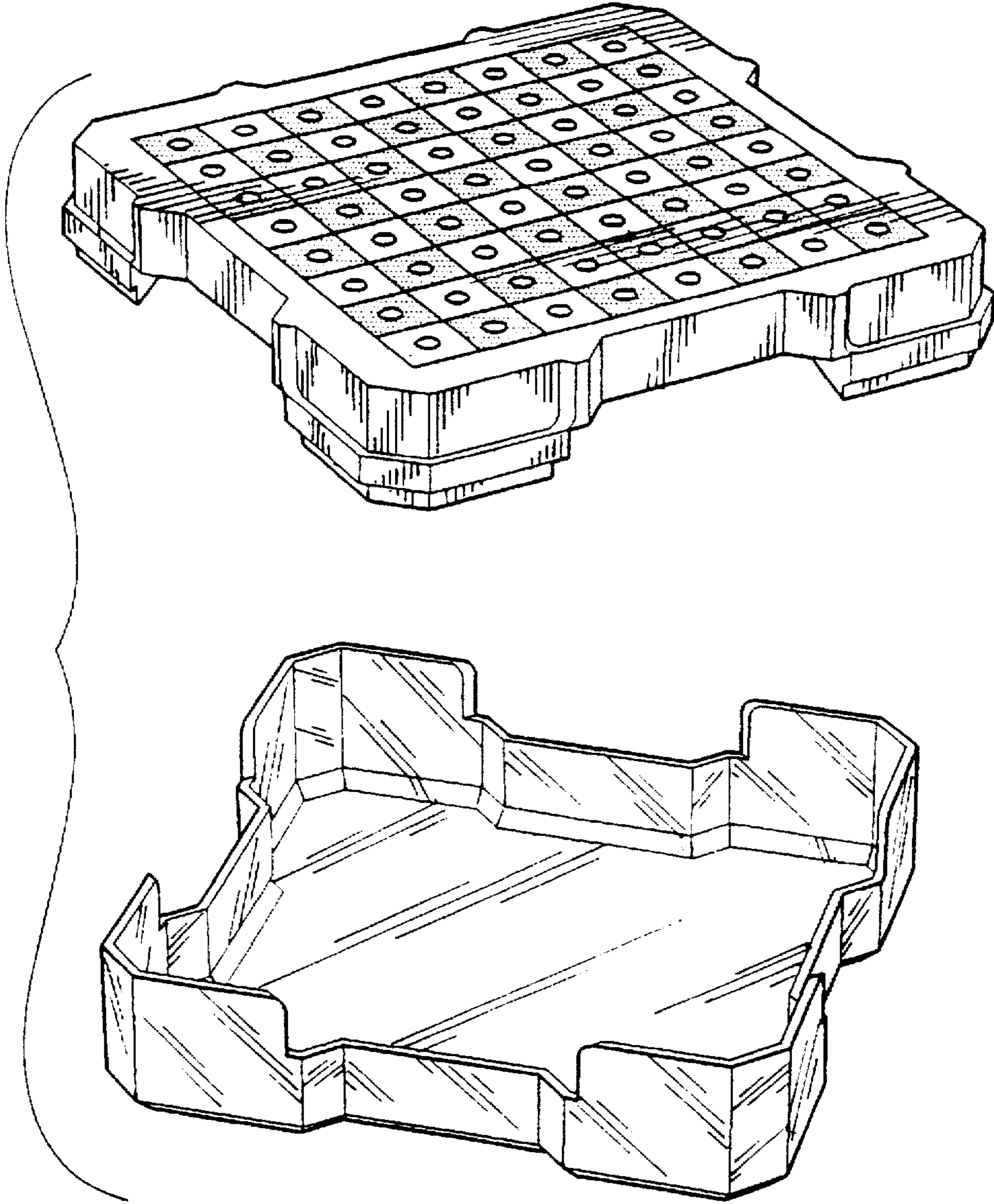


Fig. 8

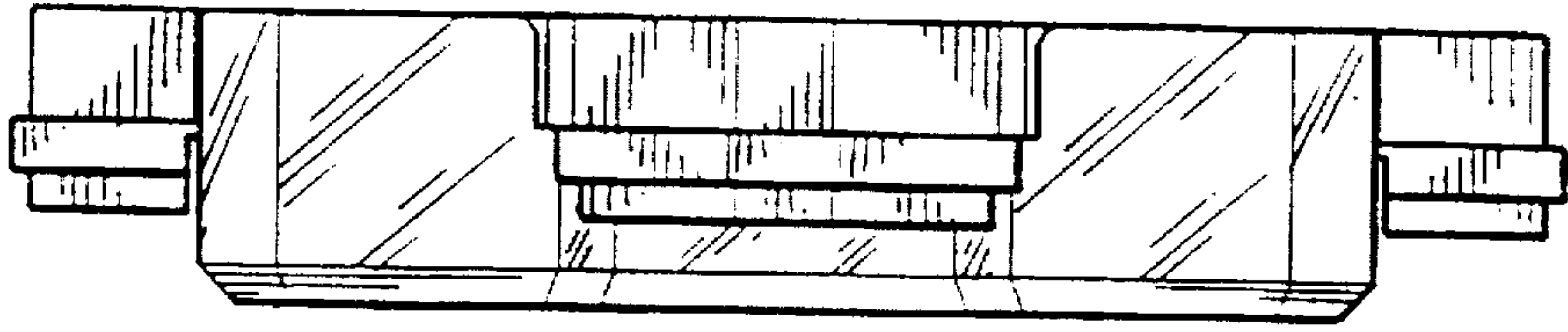


Fig. 9

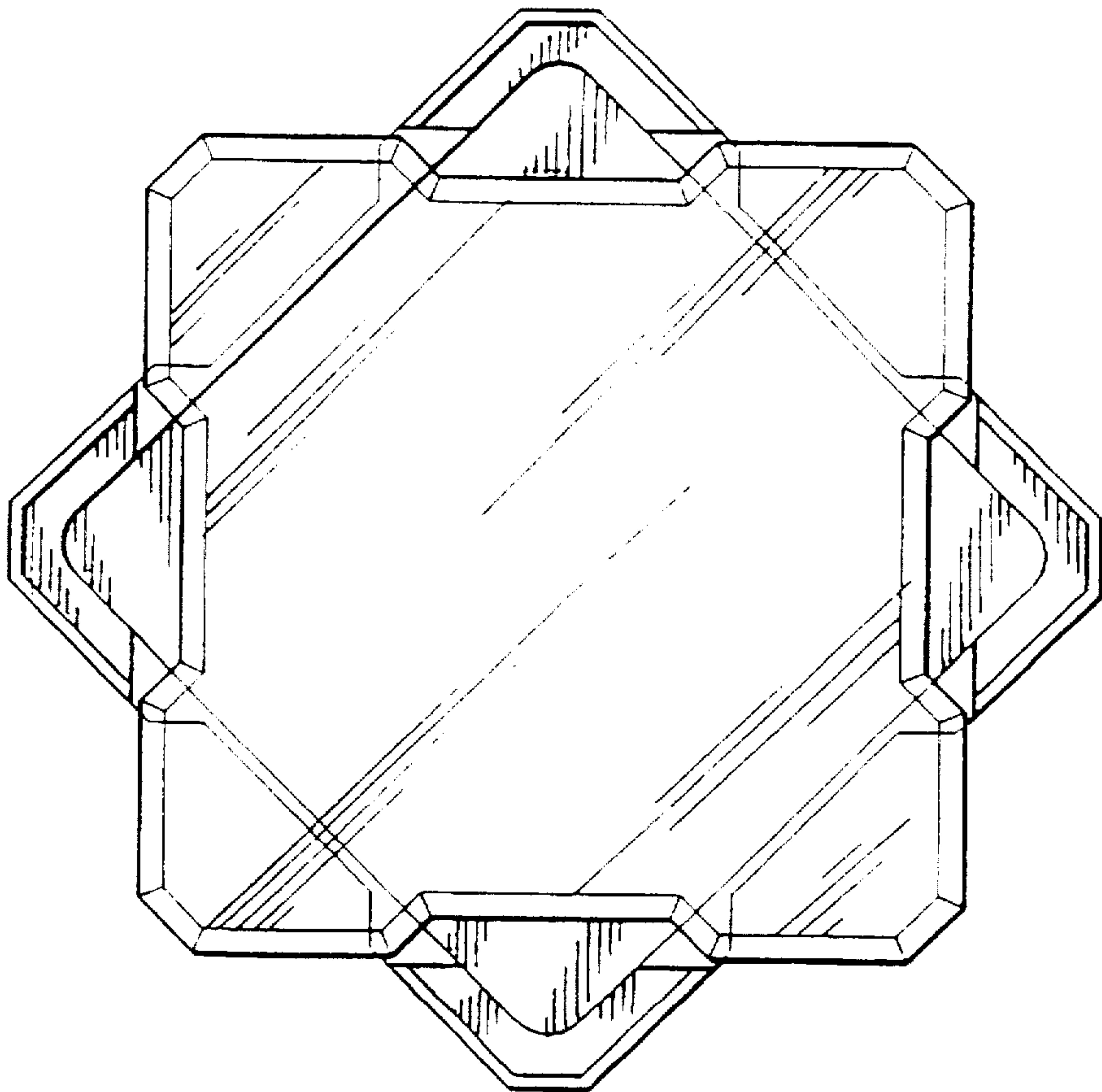


Fig. 10

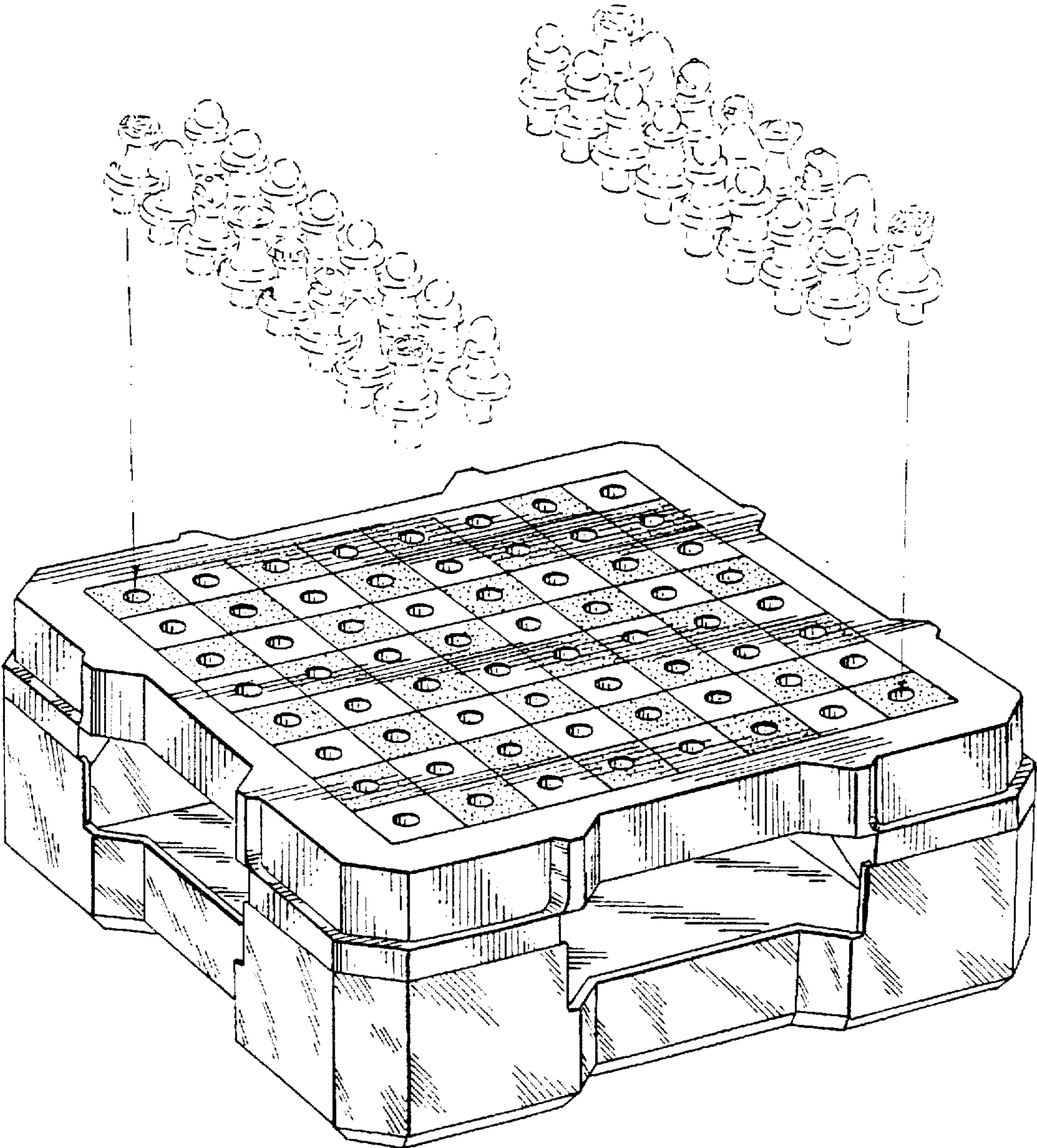


Fig. 11