



US00D395059S

United States Patent [19] Bedol

[11] Patent Number: **Des. 395,059**
[45] Date of Patent: ****Jun. 9, 1998**

[54] **MODULAR ORGANIZER FOR A RINGED BINDER**

[76] Inventor: **Mark A. Bedol**, P.O. Box 1268,
Claremont, Calif. 91711

[**] Term: **14 Years**

[21] Appl. No.: **73,634**

[22] Filed: **Jul. 11, 1997**

[51] LOC (6) Cl. **19-04**

[52] U.S. Cl. **D19/32; D19/27; D19/65;
D19/86**

[58] **Field of Search** D19/26, 27, 32,
D19/33, 65, 75, 86, 90, 91, 99, 100; 281/21.1,
22, 38, 31, 41, 45, 51; 283/61, 63.1, 65;
402/79, 80 R, 502, 503, 1, 4; 206/214,
216, 444

[56] **References Cited**

U.S. PATENT DOCUMENTS

D. 245,252	8/1977	Sullivan et al.	D19/26
D. 325,393	4/1992	Schertz et al.	D19/26
D. 333,485	2/1993	Kogutt	D19/32
D. 352,733	11/1994	French et al.	D19/32
D. 354,770	1/1995	Bedol	D19/32 X
D. 358,422	5/1995	Bedol	D19/32 X
2,223,560	12/1940	Friedlaender	402/4
2,318,192	5/1943	Boelema, Jr.	281/31
2,495,687	1/1950	Belmont	206/216

4,957,205	9/1990	Rose, Jr.	206/444
5,350,061	9/1994	Gunn	206/214
5,597,256	1/1997	Burton et al.	402/4
5,605,354	2/1997	Kwon	281/22

Primary Examiner—Martie Thompson

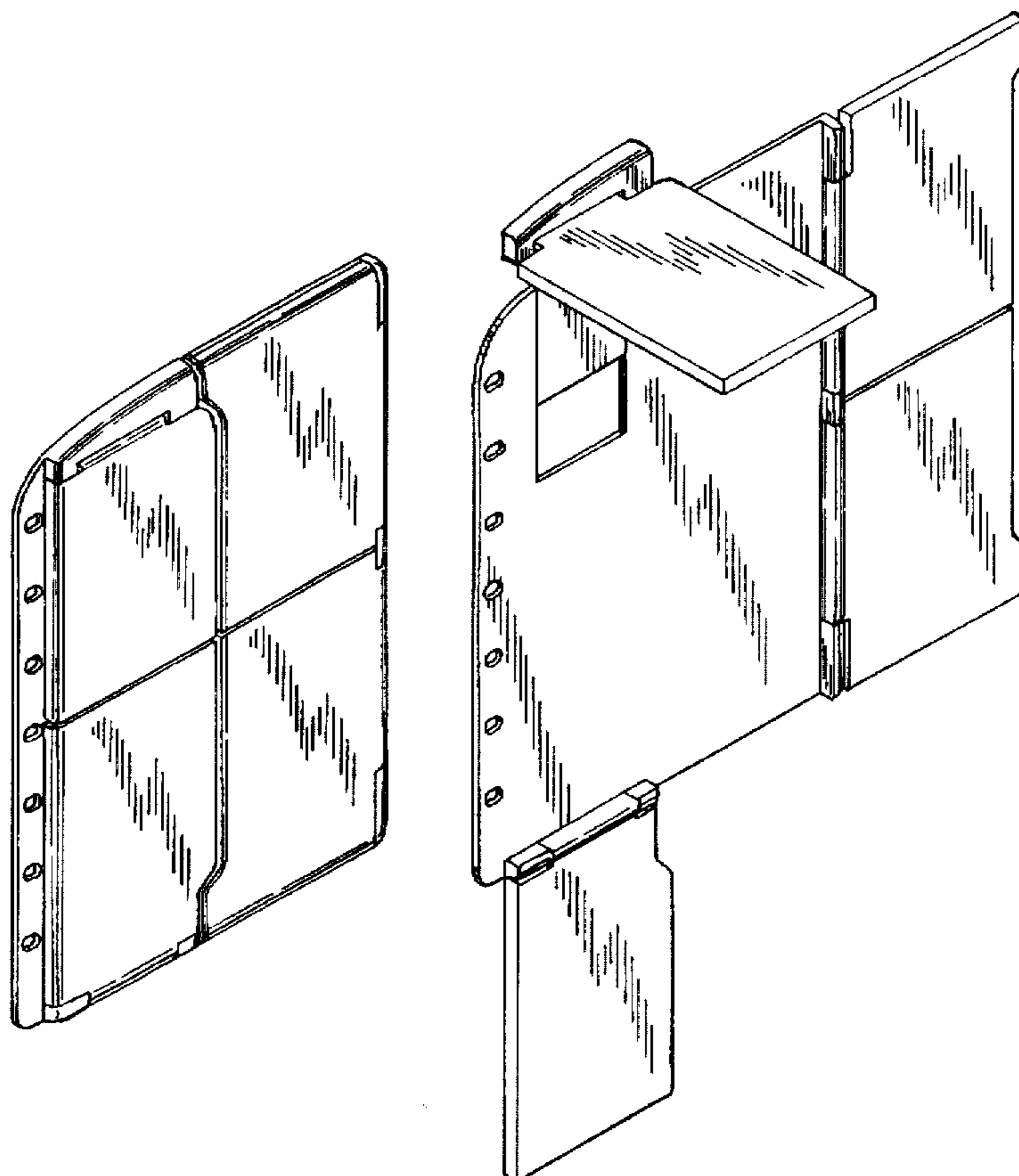
[57] **CLAIM**

The ornamental design for a modular organizer for a ringed binder, as shown and described.

DESCRIPTION

FIG. 1 is a front, left, top perspective view of a modular organizer for a ringed binder, showing my new design;
 FIG. 2 is a front elevation view thereof;
 FIG. 3 is a rear elevation view thereof;
 FIG. 4 is a top view thereof;
 FIG. 5 is a bottom view thereof;
 FIG. 6 is a left side view thereof;
 FIG. 7 is a right side view thereof;
 FIG. 8 is a left front view in the open position thereof;
 FIG. 9 is a front elevation view of FIG. 8 thereof;
 FIG. 10 is a right side view of FIG. 8 thereof;
 FIG. 11 is a top view of FIG. 8 thereof;
 FIG. 12 is a rear view of FIG. 8 thereof;
 FIG. 13 is a left side view of FIG. 8 thereof;
 FIG. 14 is a bottom view of FIG. 8 thereof; and
 FIG. 15 is a view of FIG. 8 with the top left module extended upward thereof.

1 Claim, 5 Drawing Sheets



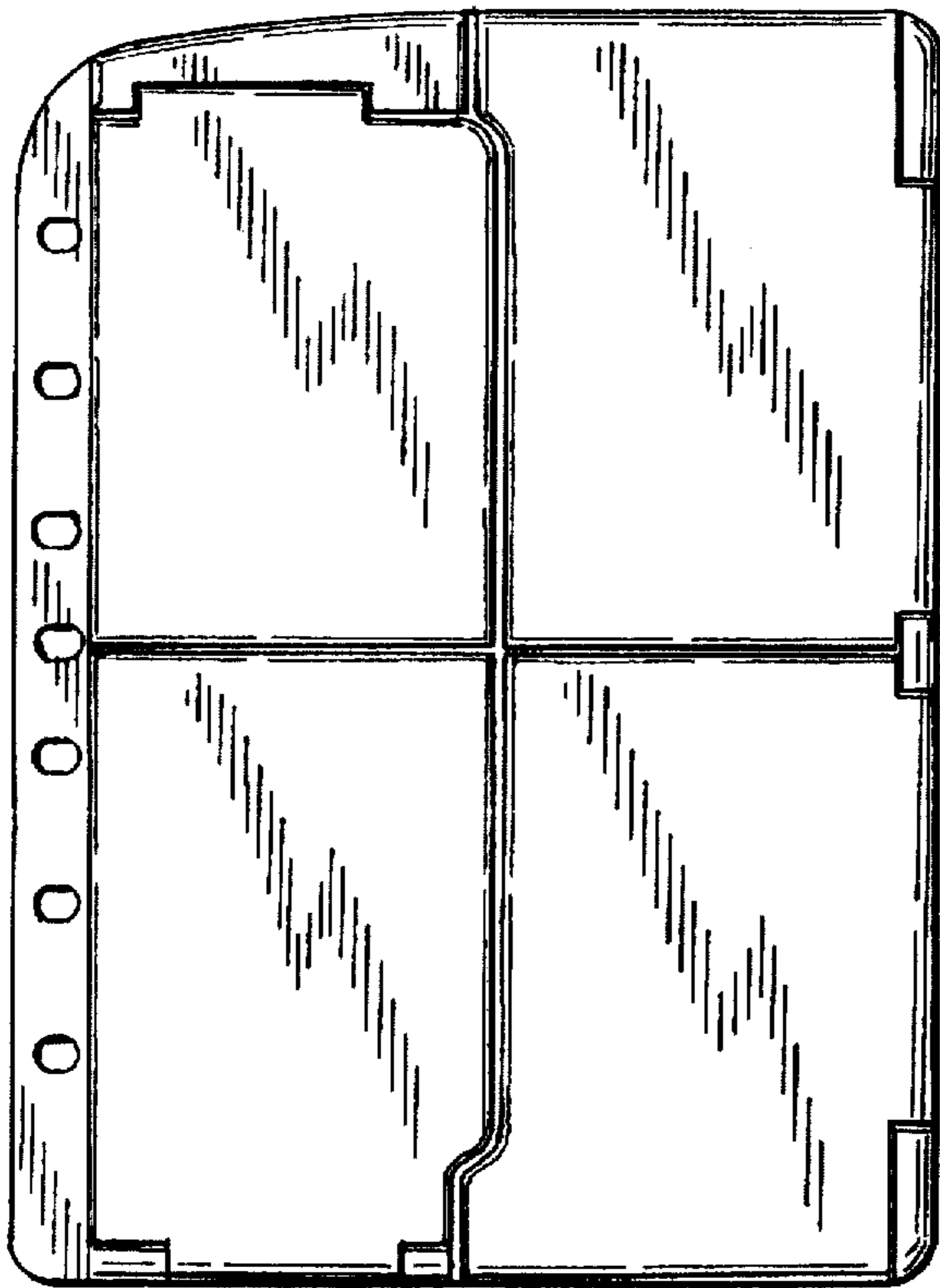


FIG. 2

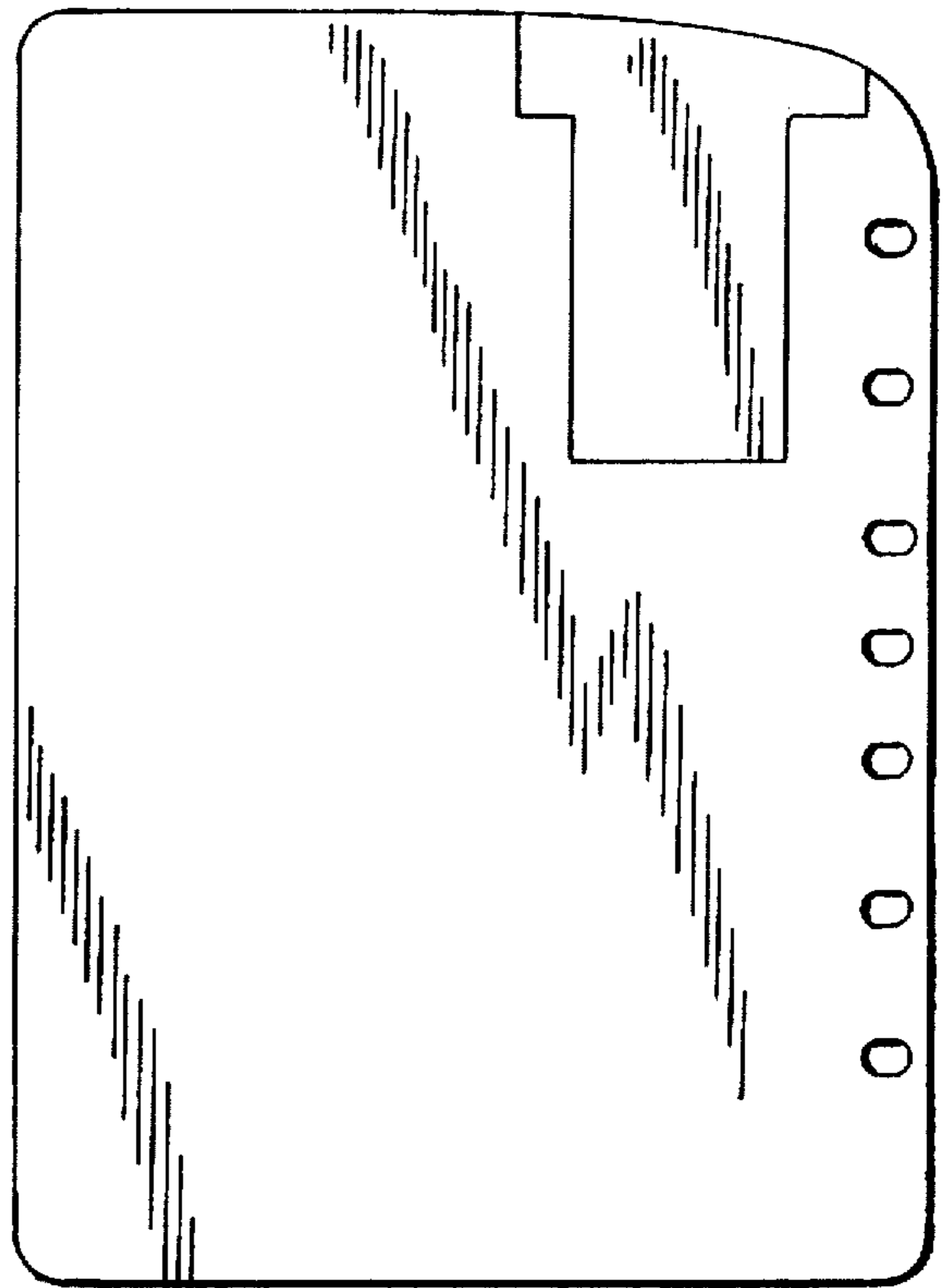


FIG. 3



FIG. 4



FIG. 5

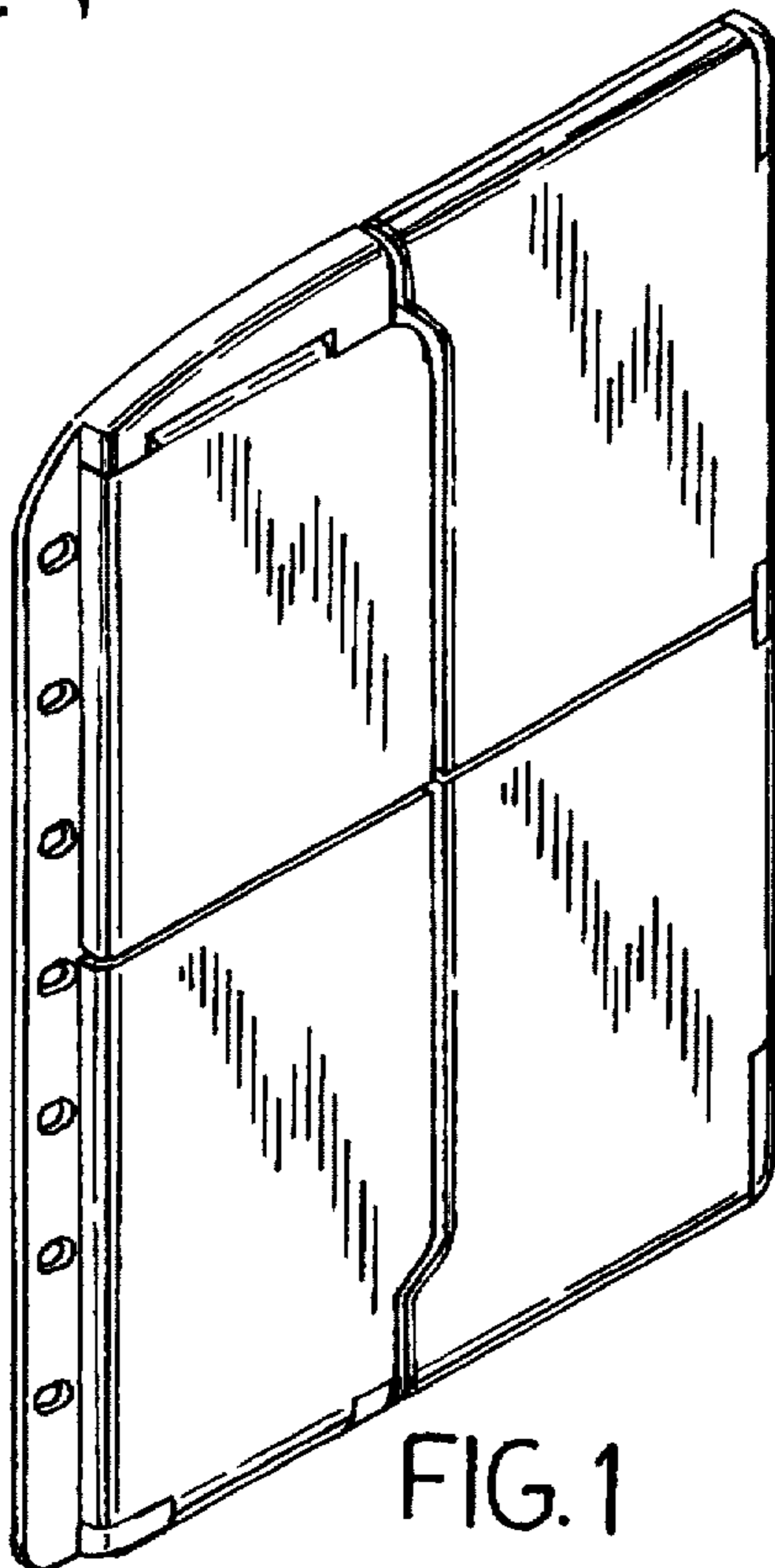


FIG. 1



FIG. 6



FIG. 7

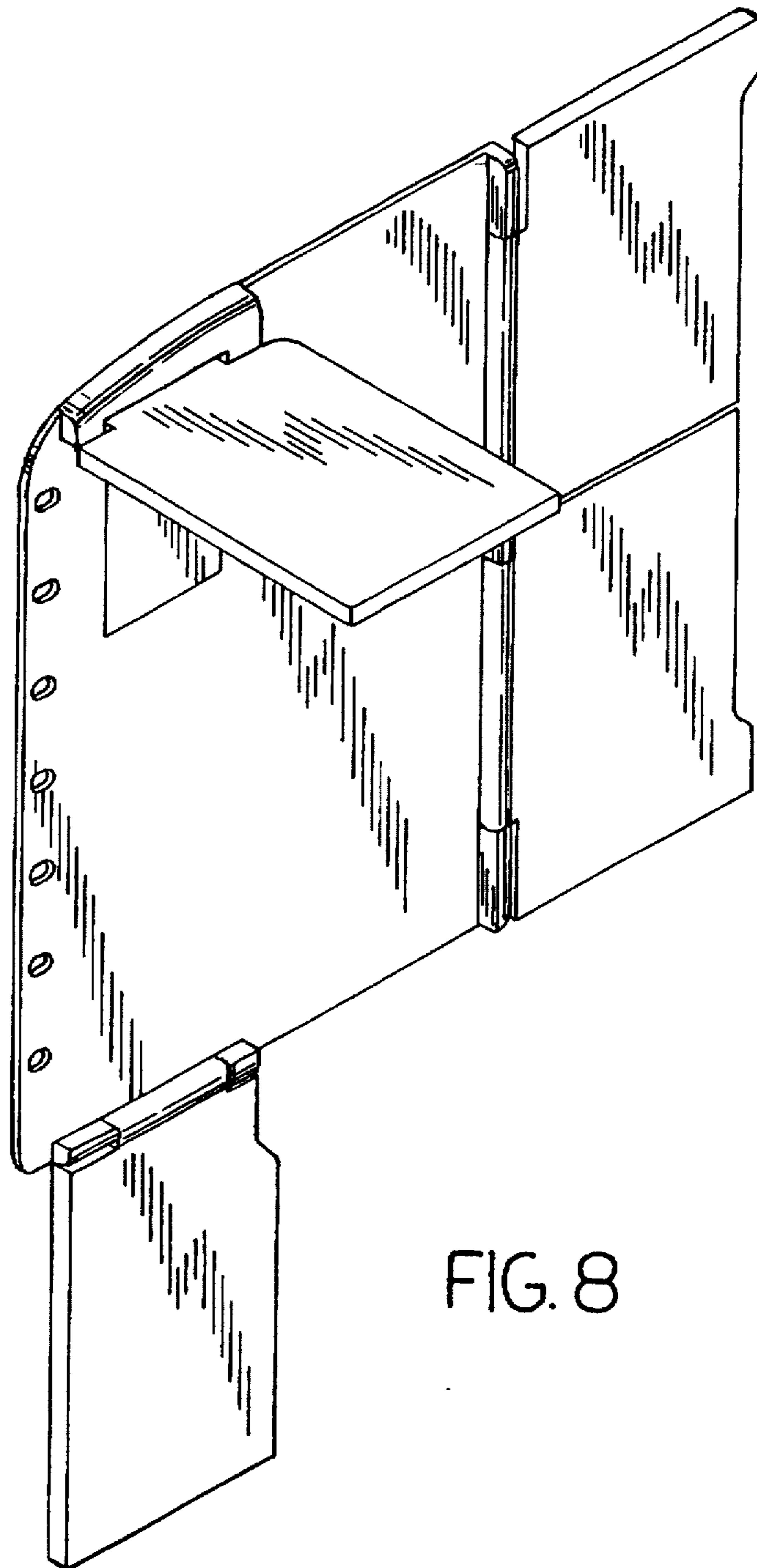


FIG. 8

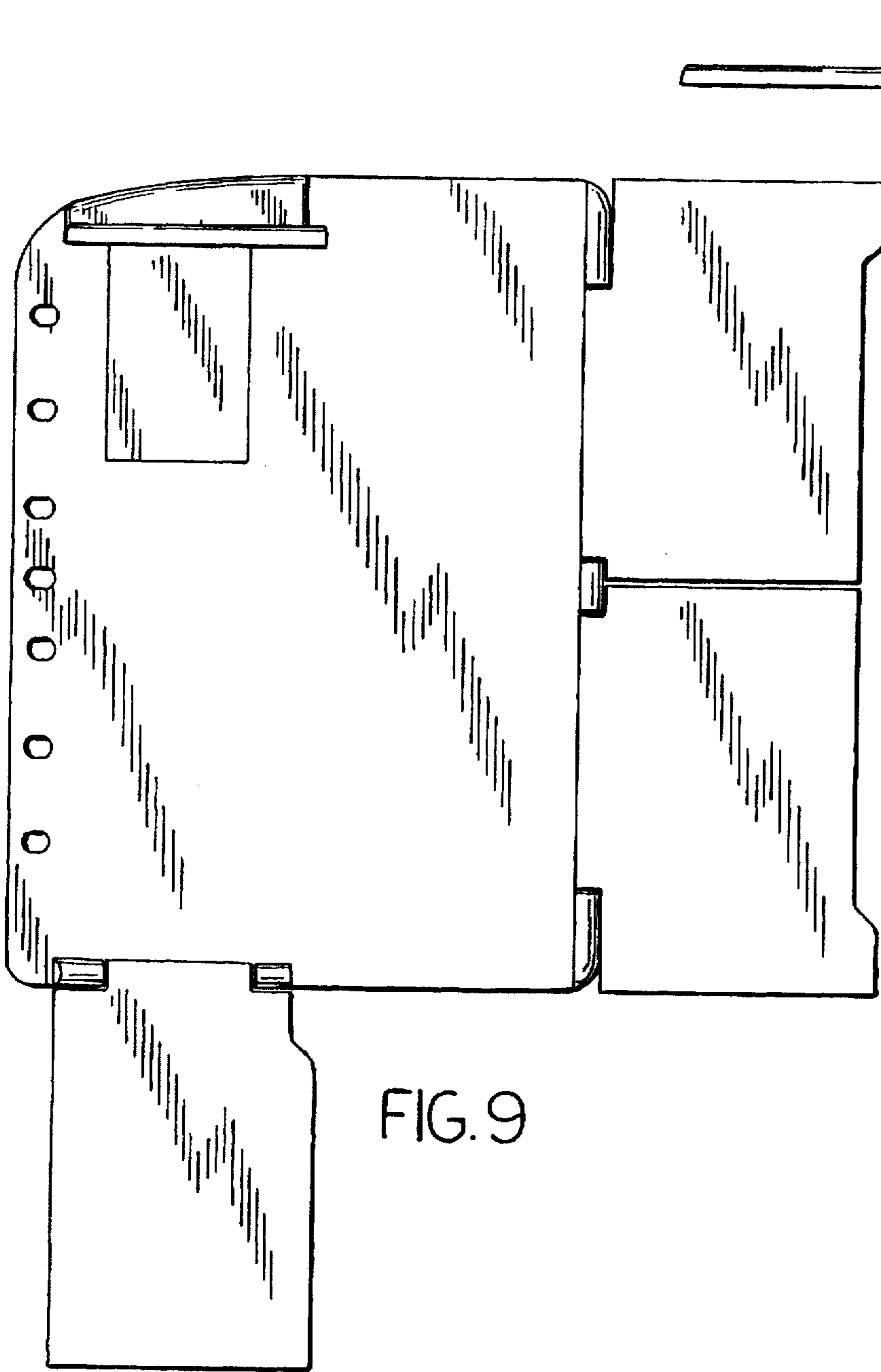


FIG. 9

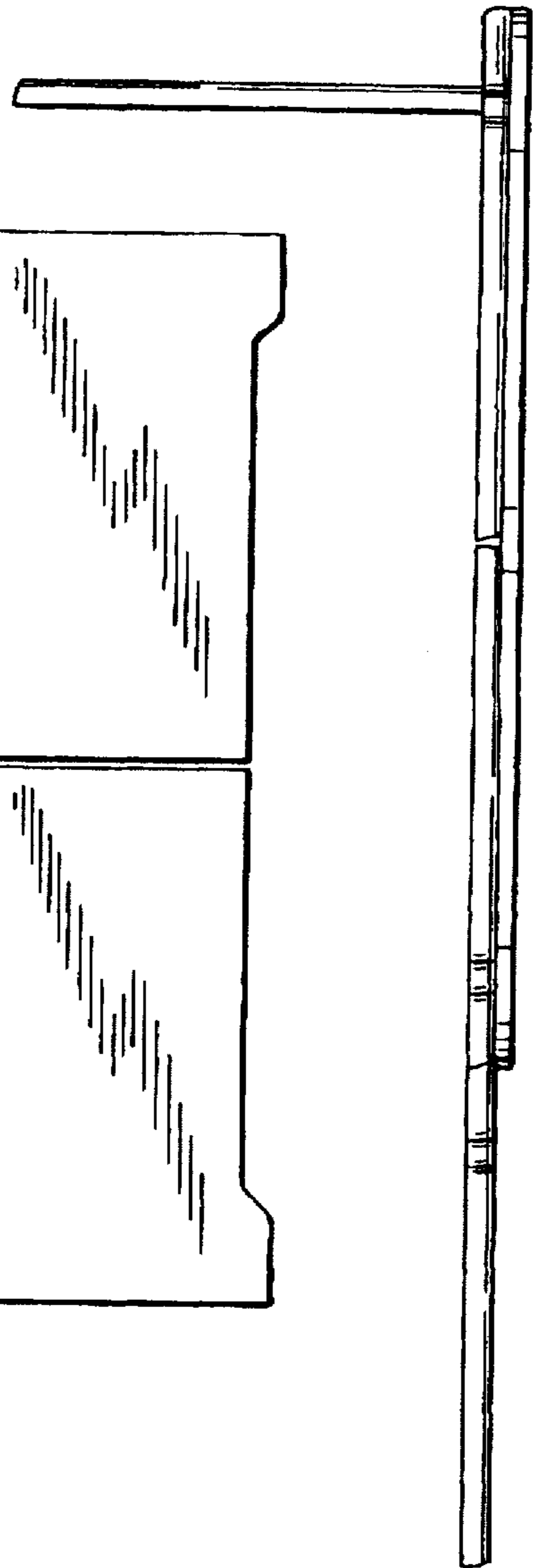


FIG. 10

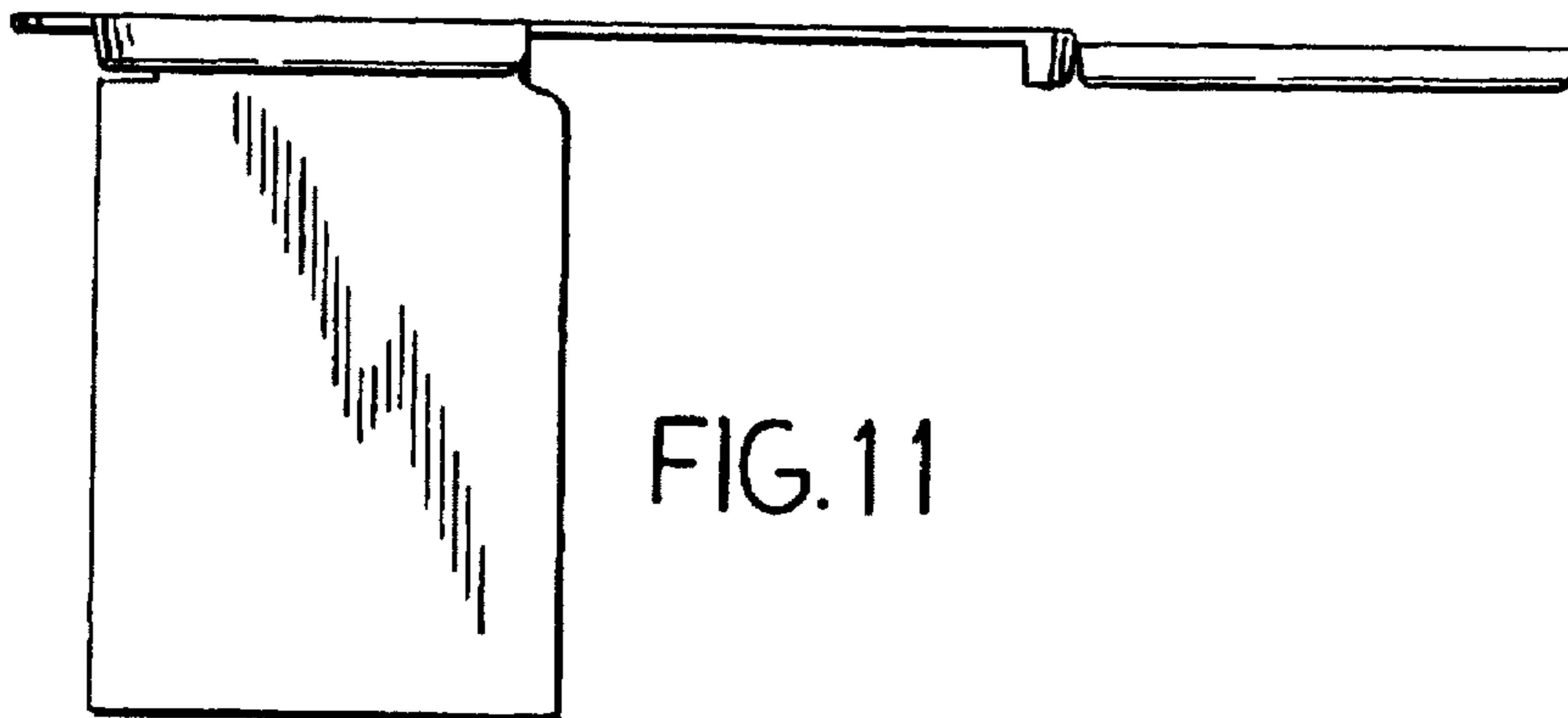


FIG. 11

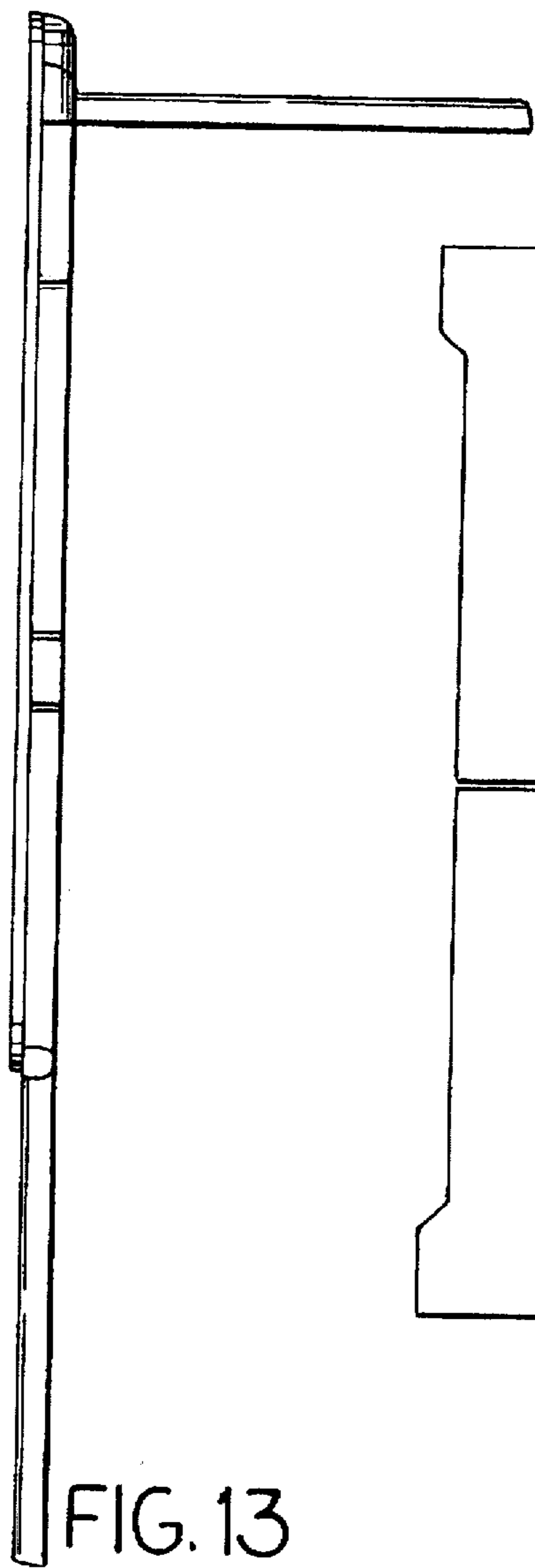


FIG. 13

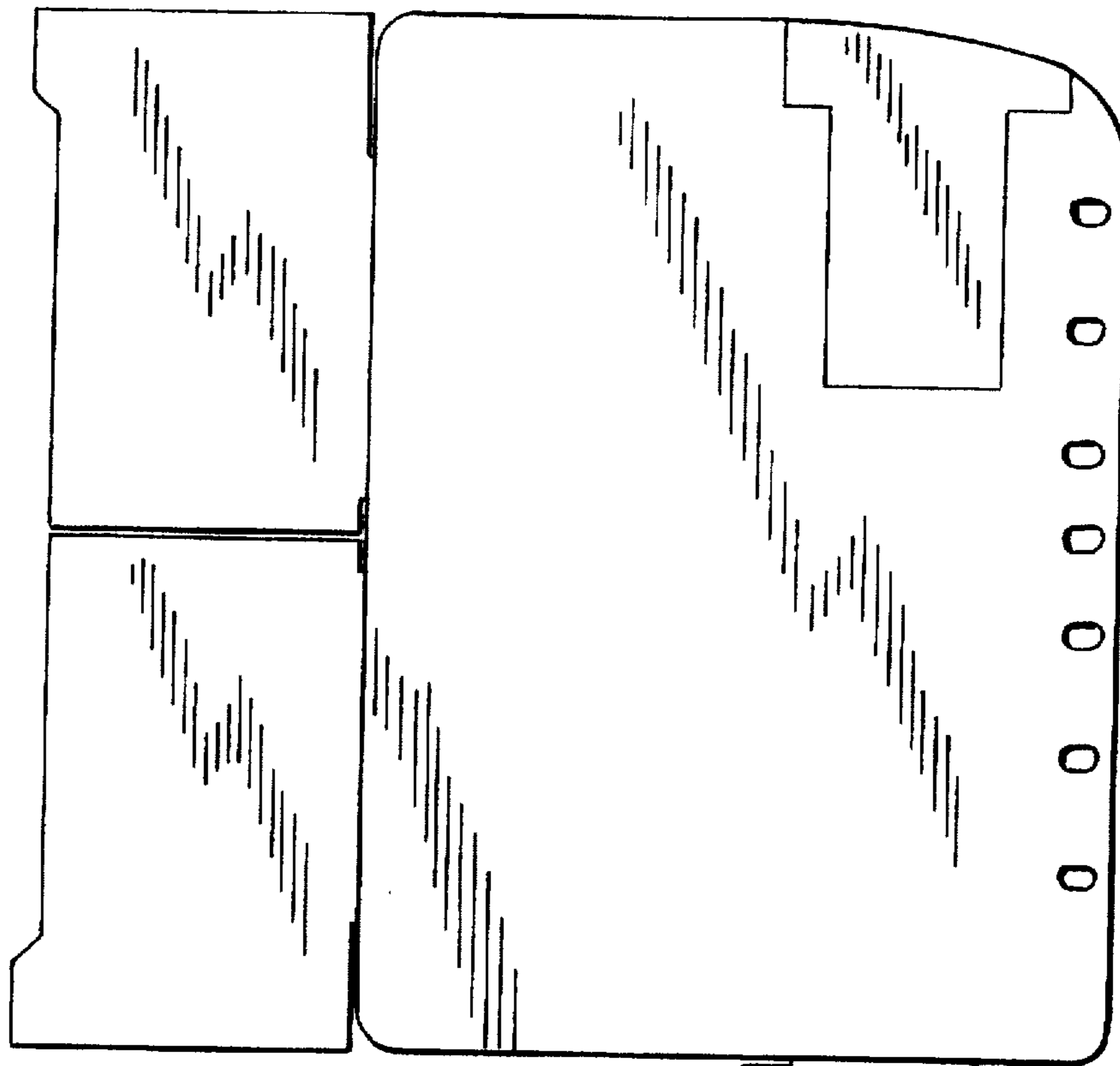


FIG. 12

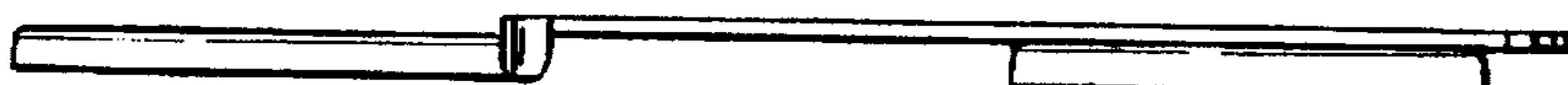
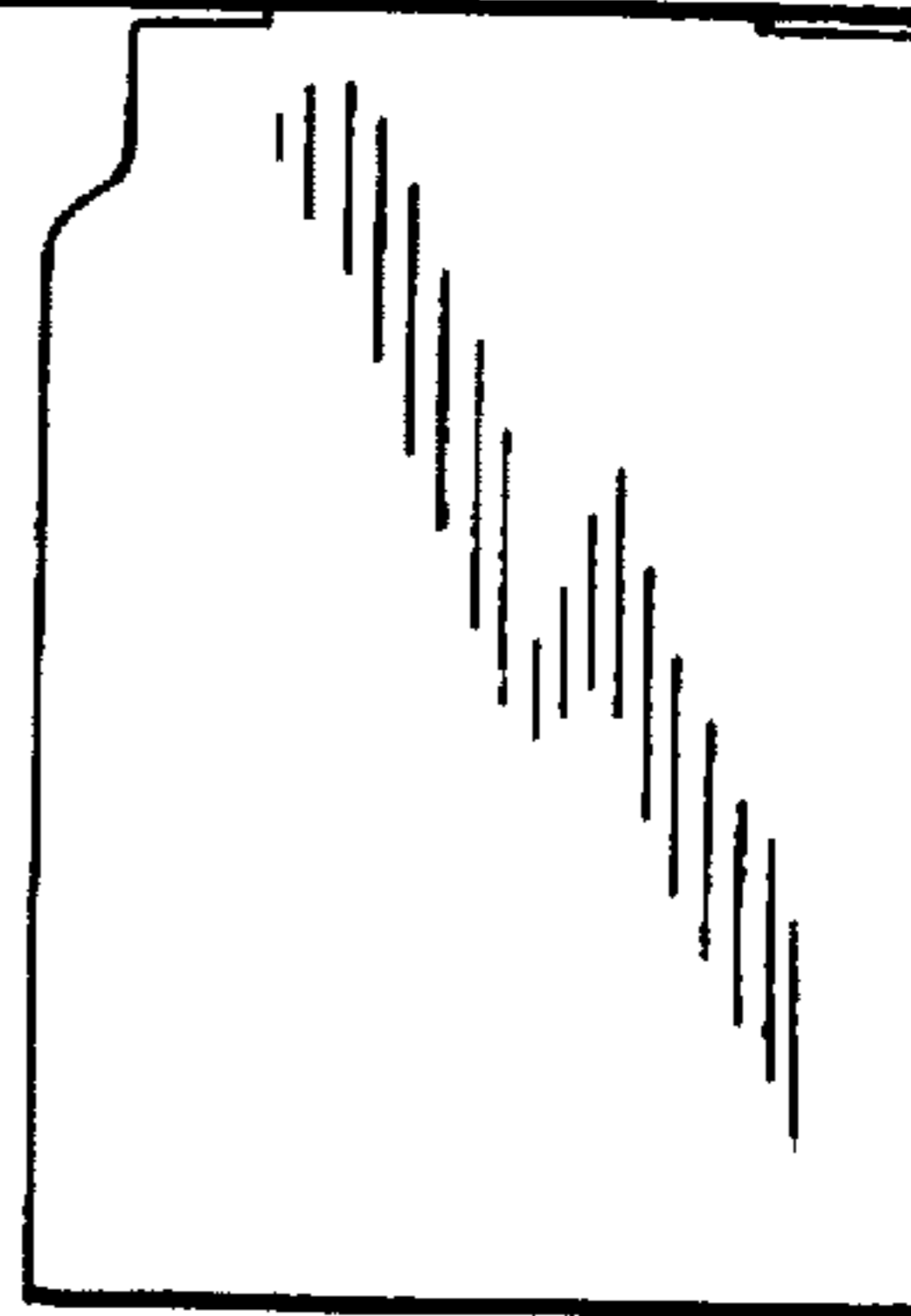
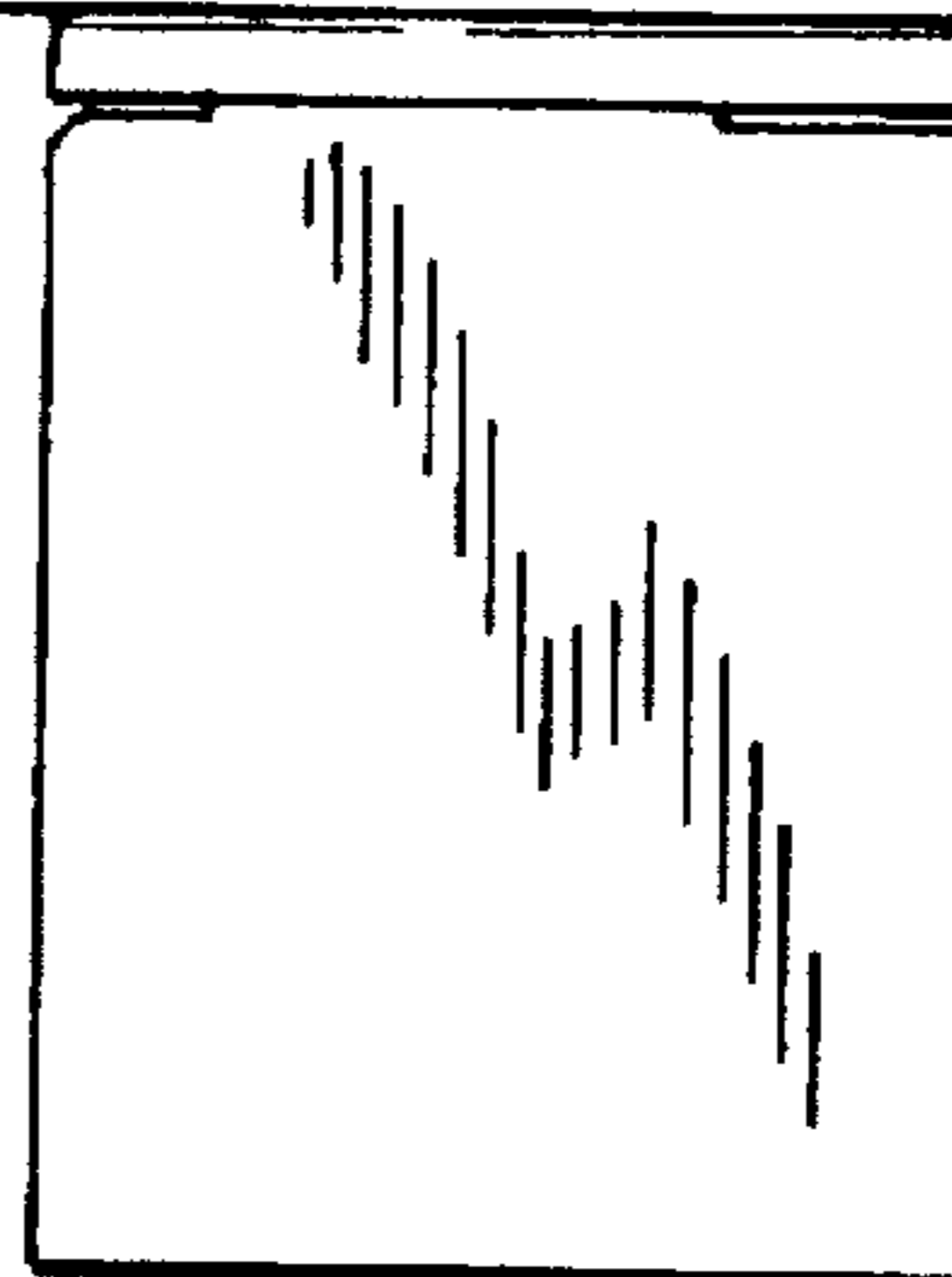


FIG. 14



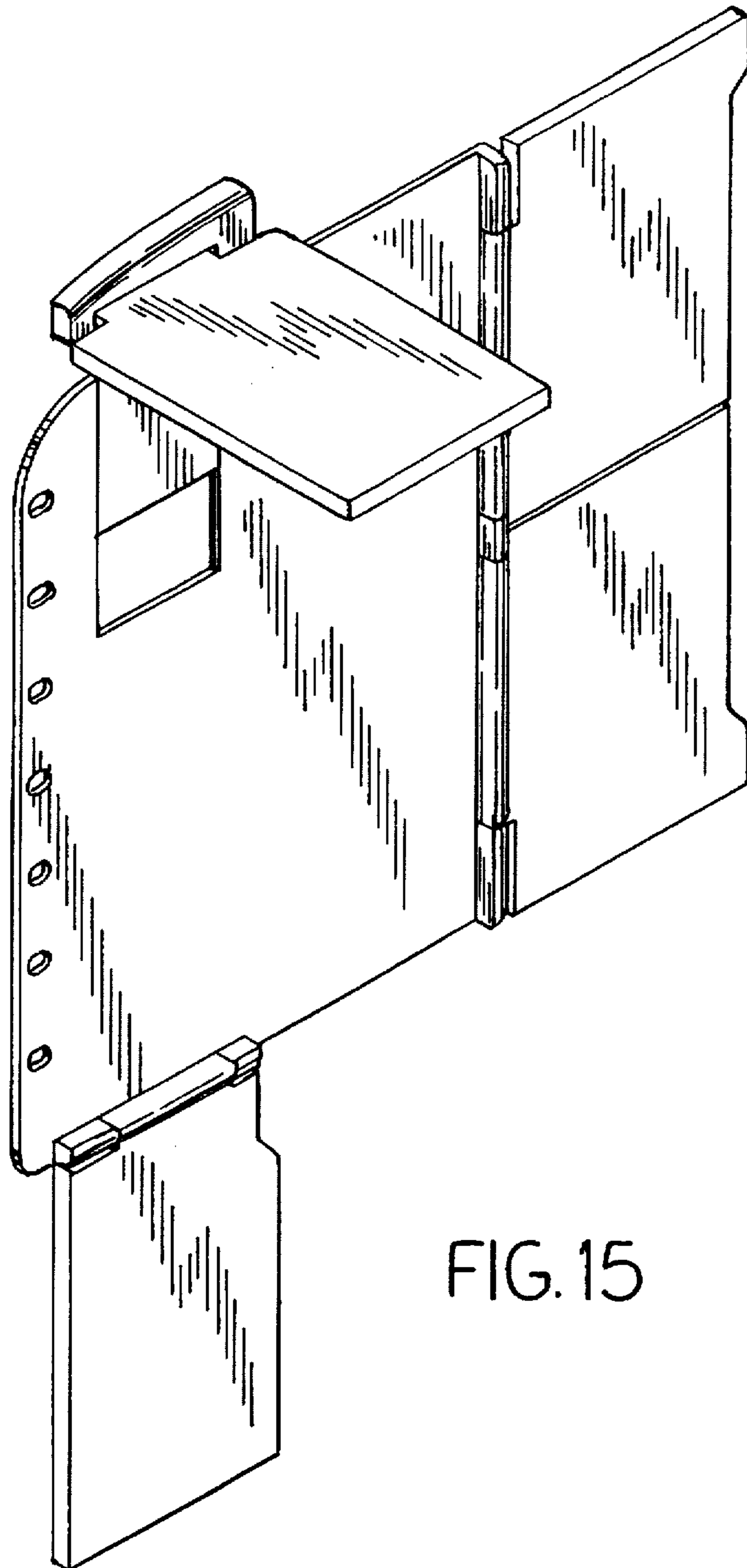


FIG. 15