



US00D395058S

# United States Patent [19]

[11] Patent Number: **Des. 395,058**

Montes

[45] Date of Patent: **\*\*Jun. 9, 1998**

[54] **FOCUS FINDER CAP FOR A LASER ENGRAVER**

3,981,705	9/1976	Jager et al.	219/121.75
4,896,944	1/1990	Irwin et al.	219/121.75
5,113,291	5/1992	Naiki	359/823

[76] Inventor: **David M. Montes**, 112 Willow Dr., Lake Mary, Fla. 32746

*Primary Examiner*—Louis S. Zarfes  
*Assistant Examiner*—G. Albert Andoll  
*Attorney, Agent, or Firm*—William M. Hobby, III

[\*\*] Term: **14 Years**

[57] **CLAIM**

[21] Appl. No.: **61,606**

The ornamental design for a focus finder cap for a laser engraver, as shown and described.

[22] Filed: **Oct. 28, 1996**

[51] LOC (6) Cl. .... **18-02**

**DESCRIPTION**

[52] U.S. Cl. .... **D18/57; D18/40; D18/99**

FIG. 1 is a top front perspective view of my new focus finder cap for a laser engraver;

[58] Field of Search ..... D18/57, 50, 99, D18/40; 33/392, DIG. 21; 101/150; 359/823; 356/125; 219/121.6, 121.75

FIG. 2 is a front and left side elevation;

FIG. 3 is a rear left side elevation;

FIG. 4 is a front and right side elevation;

FIG. 5 is a rear right side elevation;

FIG. 6 is a bottom plan view; and,

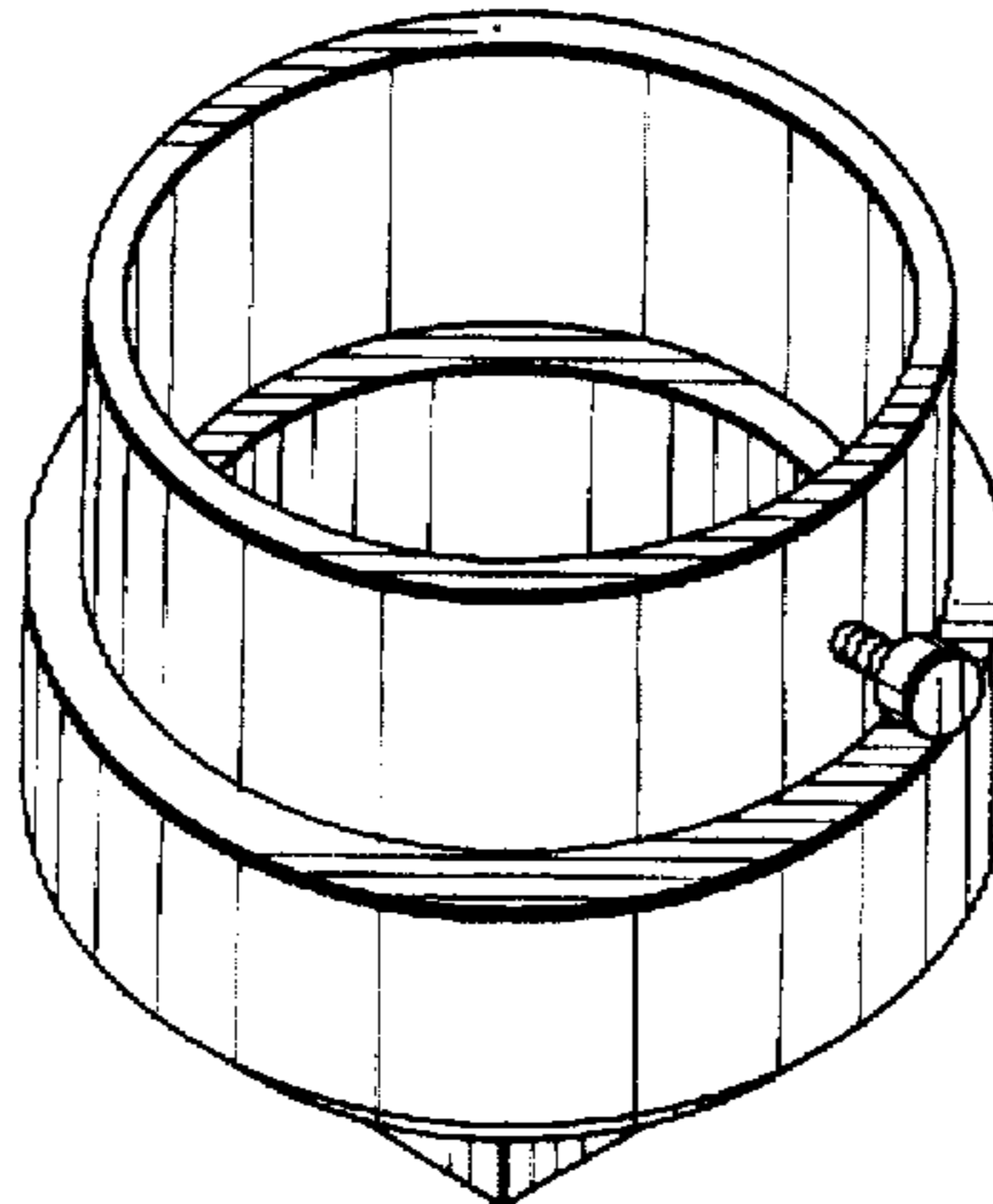
FIG. 7 is a top plan view.

[56] **References Cited**

**U.S. PATENT DOCUMENTS**

D. 361,085	8/1995	Rose	D18/57
1,280,045	9/1918	Kuehn	356/125
3,757,078	9/1973	Conti et al.	219/121.75

**1 Claim, 1 Drawing Sheet**



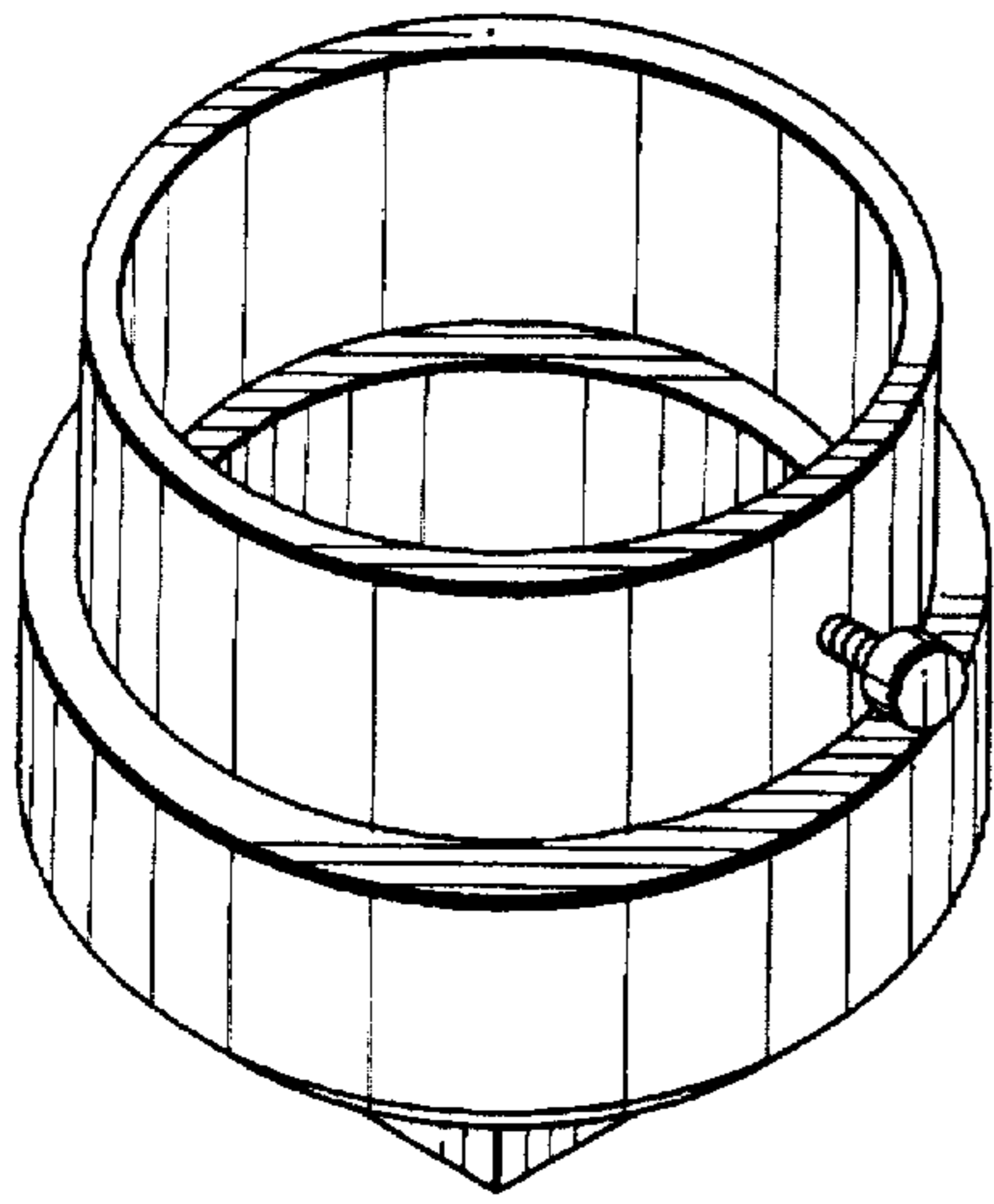


FIG. 1

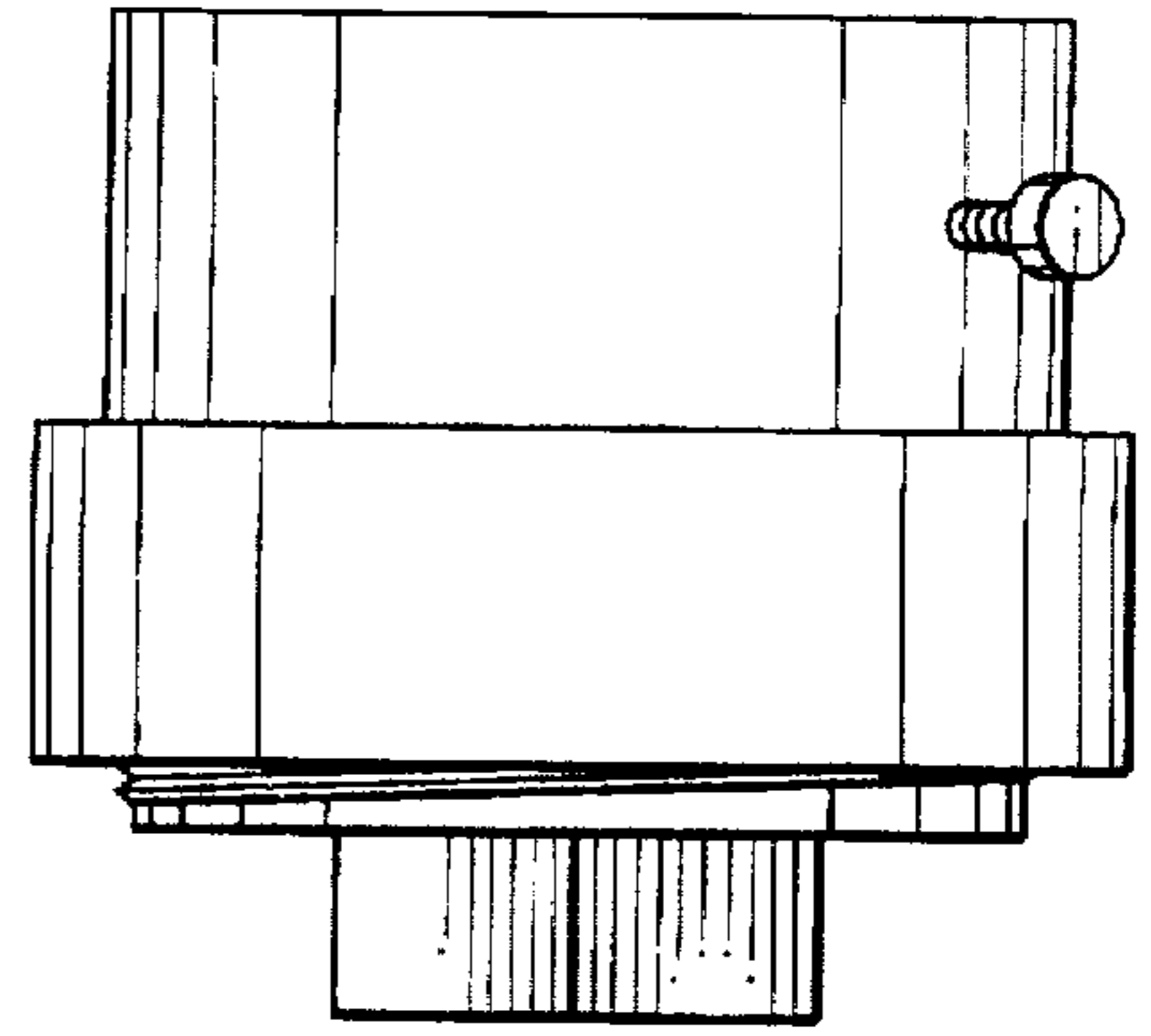


FIG. 2

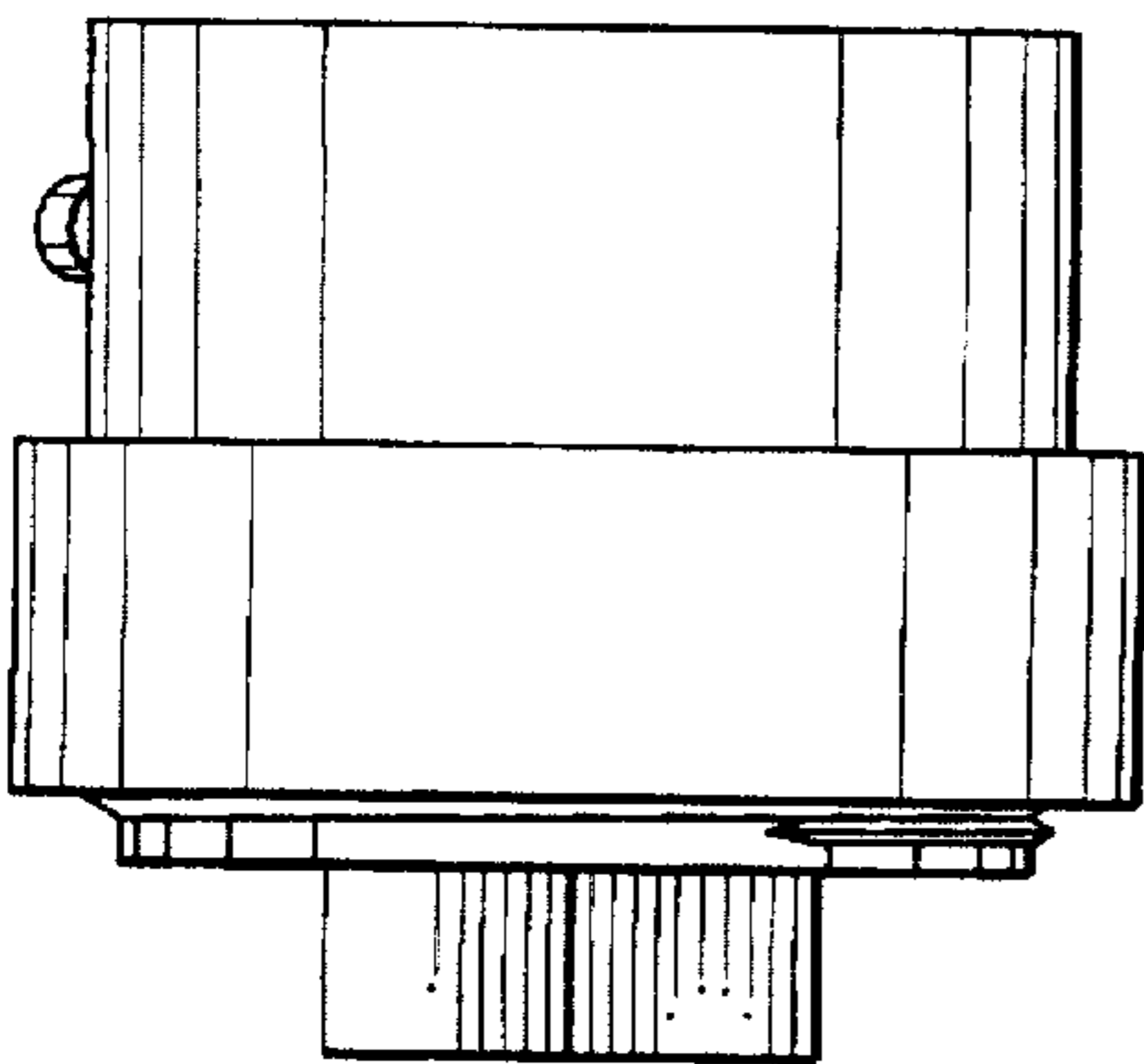


FIG. 3

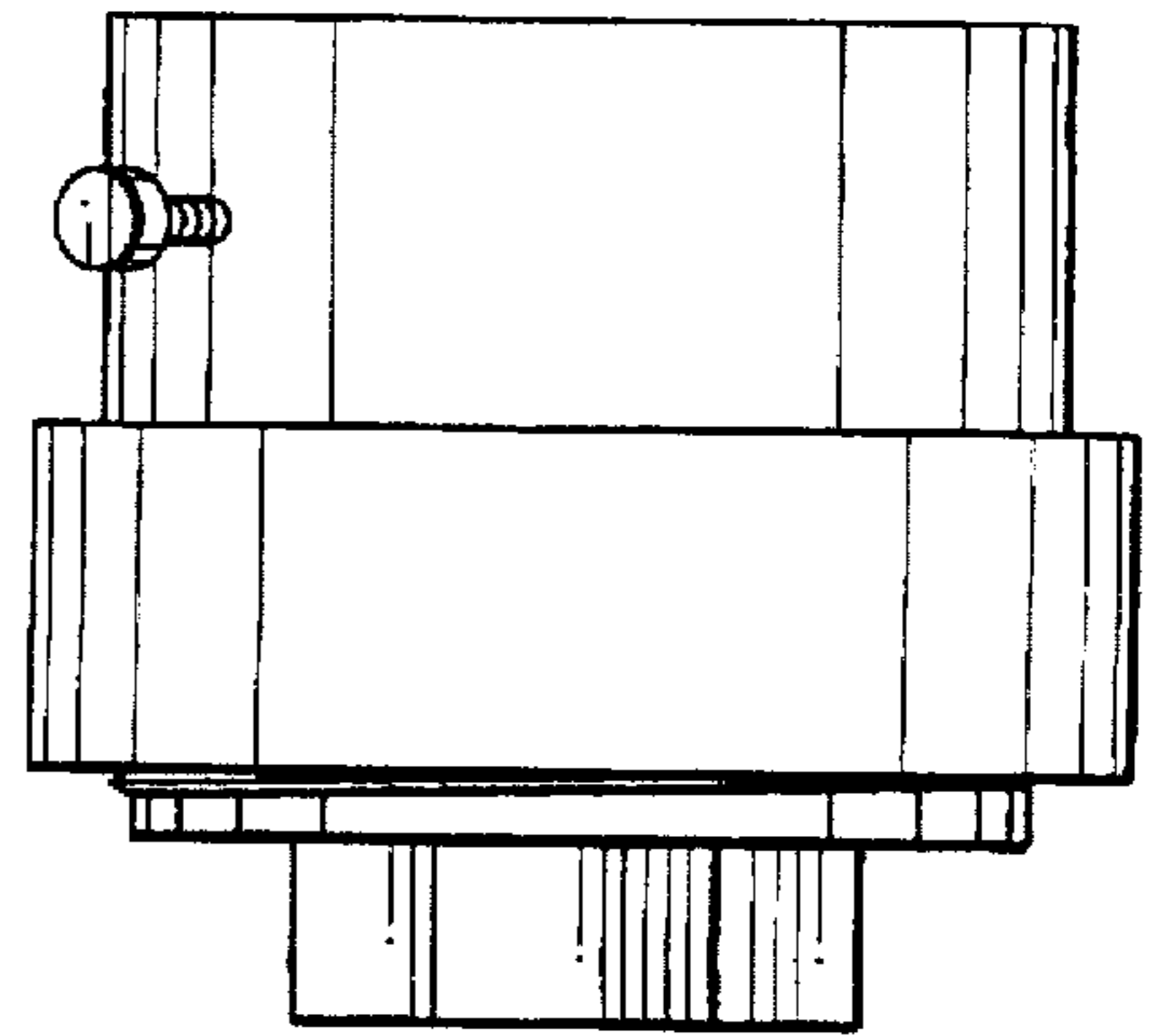


FIG. 4

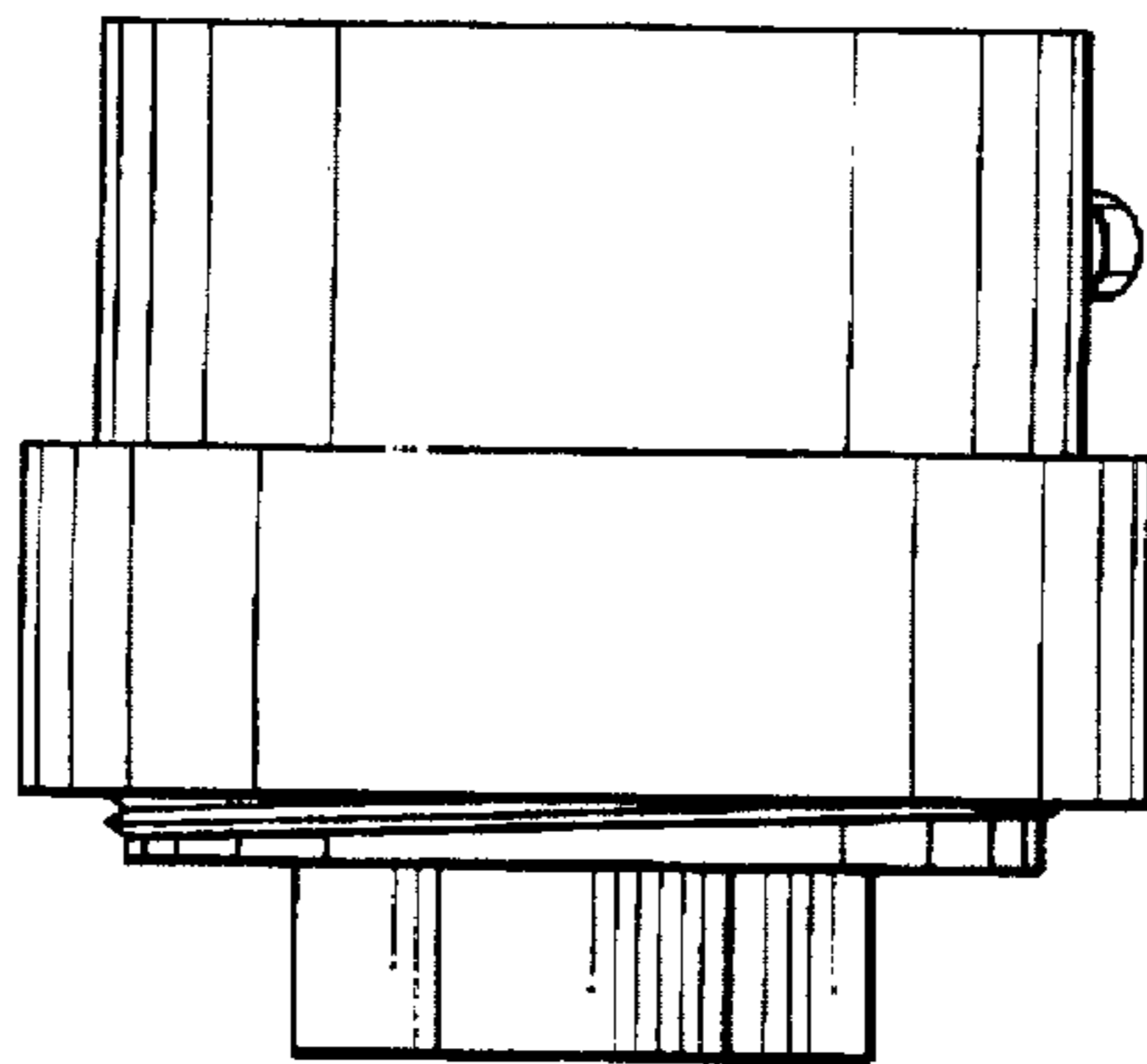


FIG. 5

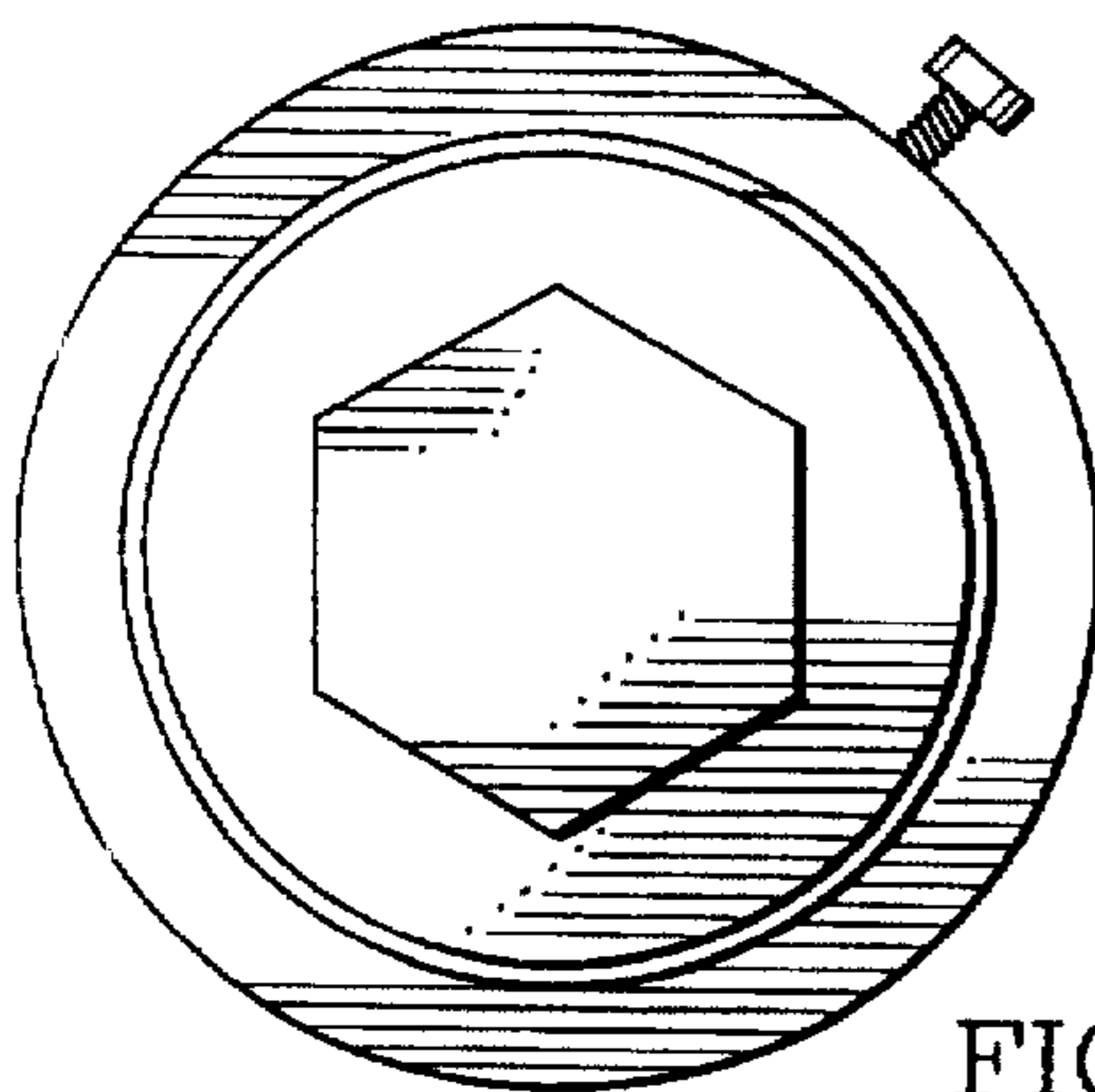


FIG. 6

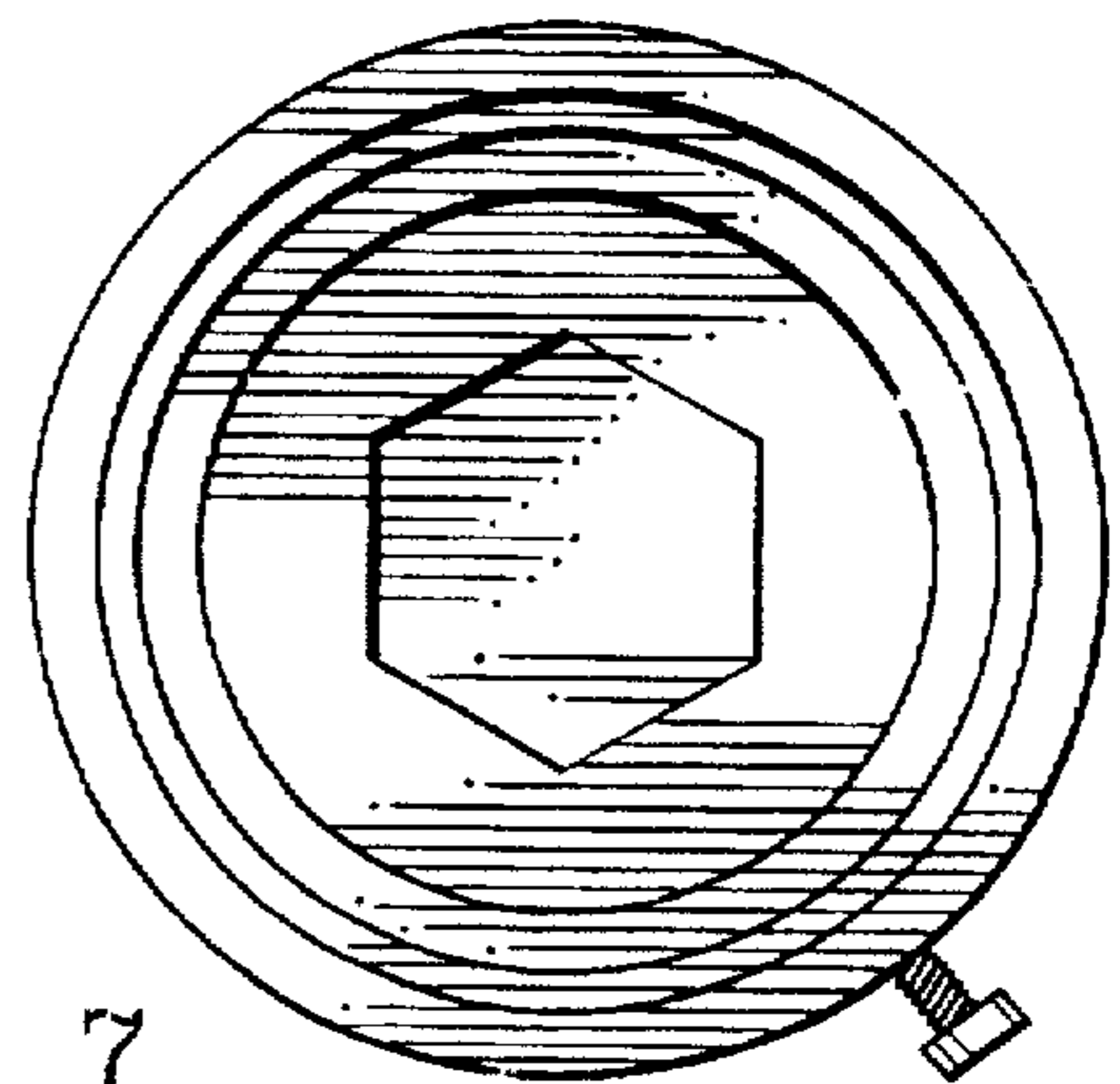


FIG. 7