



US00D395056S

United States Patent [19]
Delaey

[11] **Patent Number: Des. 395,056**
[45] **Date of Patent: **Jun. 9, 1998**

[54] **VIDEO CAMERA**

[75] **Inventor: Tom Philippe Jean Jacques Delaey,**
Eindhoven, Netherlands

[73] **Assignee: U.S. Philips Corporation,** New York,
N.Y.

[**] **Term: 14 Years**

[21] **Appl. No.: 73,915**

[22] **Filed: Jul. 21, 1997**

[30] **Foreign Application Priority Data**

Feb. 24, 1997 [XH] Hague Agreement DMA/003 595

[51] **LOC (6) Cl. 16-01**

[52] **U.S. Cl. D16/203; D16/203**

[58] **Field of Search D16/200-208;**
348/143, 373-376; 396/25-29, 427, 535-543

[56] **References Cited**

U.S. PATENT DOCUMENTS

D. 179,803 3/1957 Gillette D16/202

D. 187,165 2/1960 Sampson D16/204
D. 261,140 10/1981 Ikeda D16/202
D. 349,911 8/1994 Shimizu et al. D16/203
5,649,256 7/1997 Wen 396/427

Primary Examiner—Philip S. Hyder
Assistant Examiner—Adir Aronovich
Attorney, Agent, or Firm—Ernestine C. Bartlett

[57] **CLAIM**

The ornamental design for a video camera, as shown.

DESCRIPTION

FIG. 1 is a perspective view of a video camera showing my design;

FIG. 2 is a front elevational view thereof;

FIG. 3 is a rear elevational view thereof;

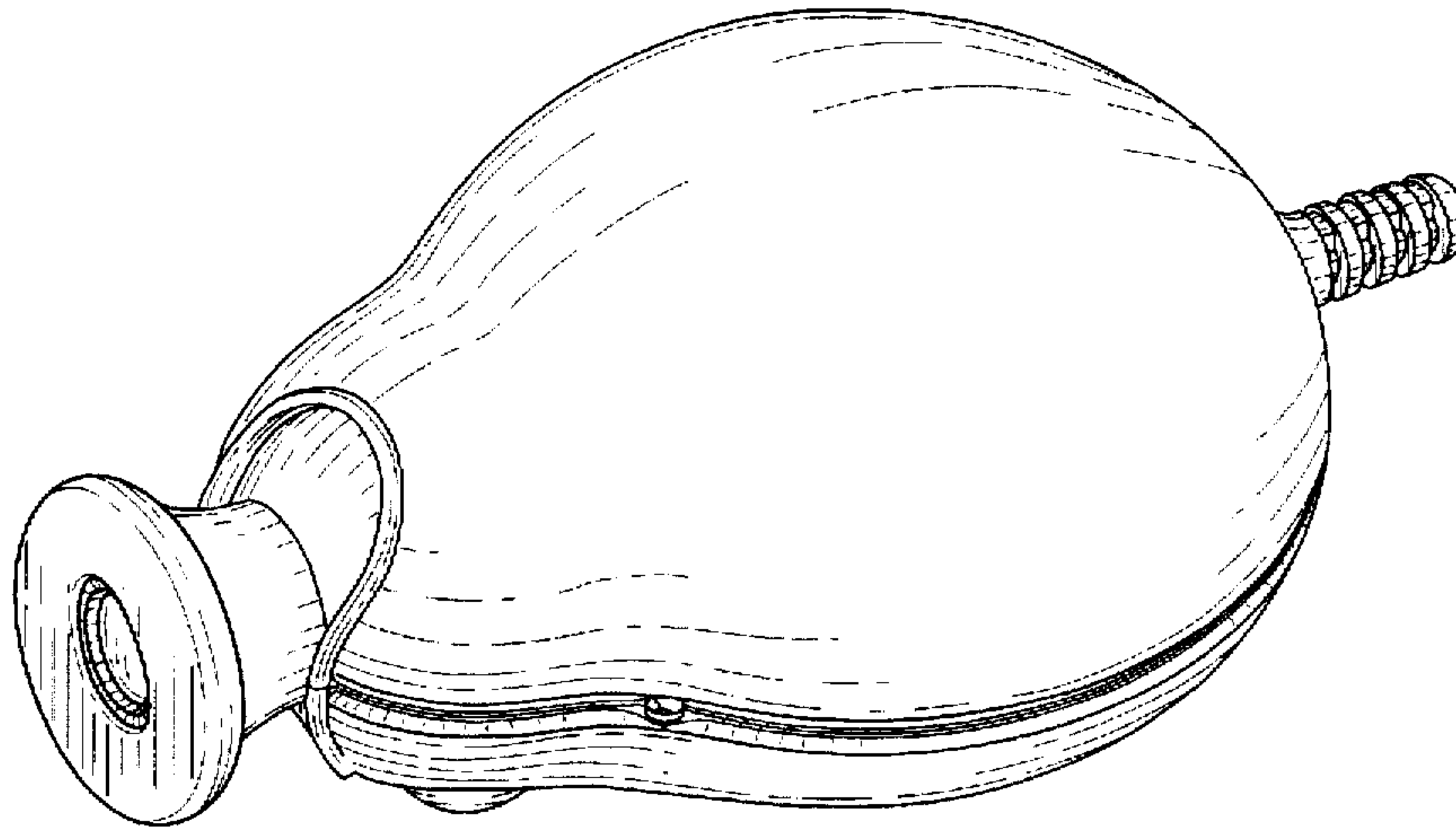
FIG. 4 is a right side elevational view thereof;

FIG. 5 is a left side elevational view thereof;

FIG. 6 is a top plan view thereof; and,

FIG. 7 is a bottom plan view thereof.

1 Claim, 5 Drawing Sheets



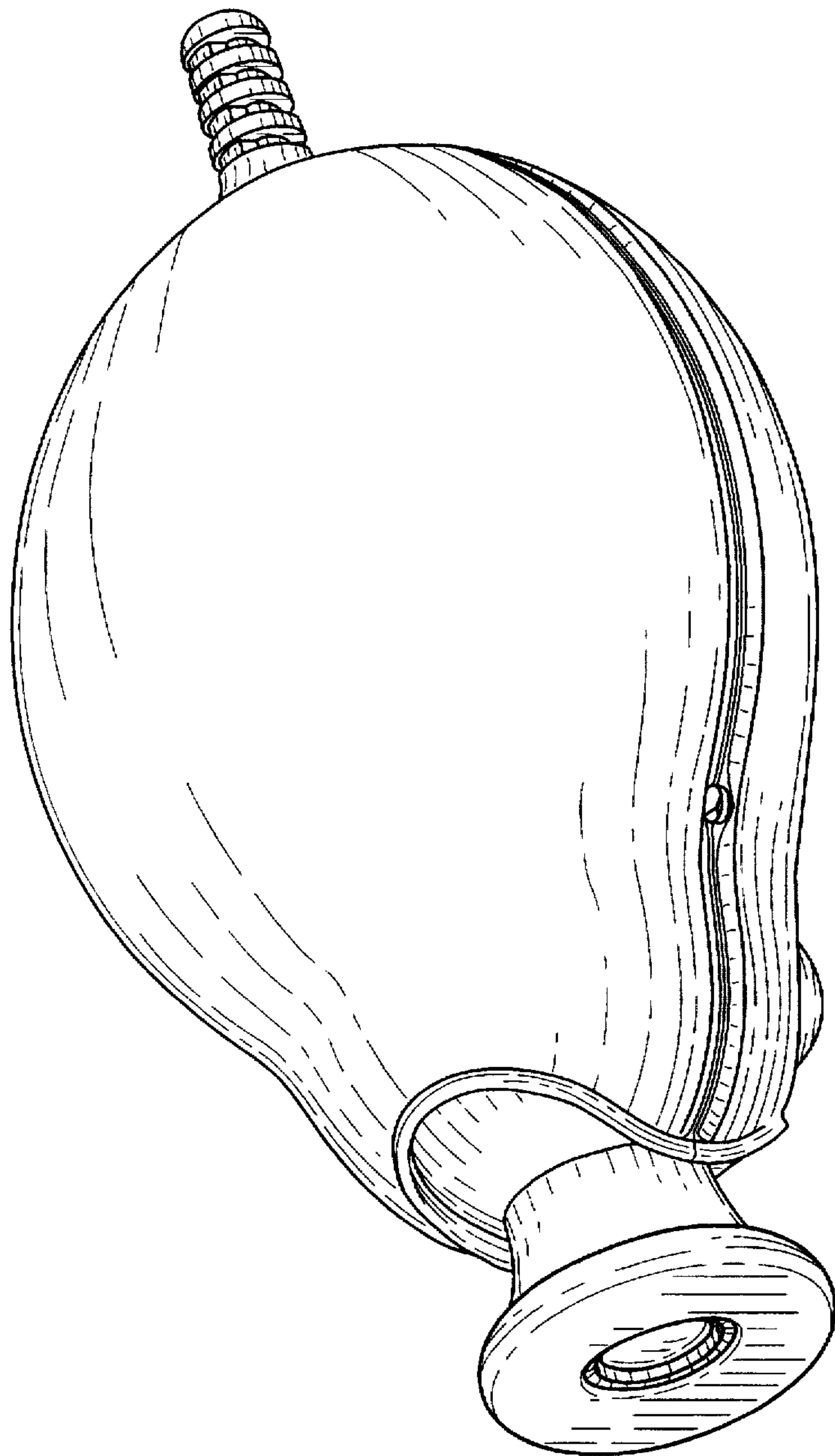


FIG. 1

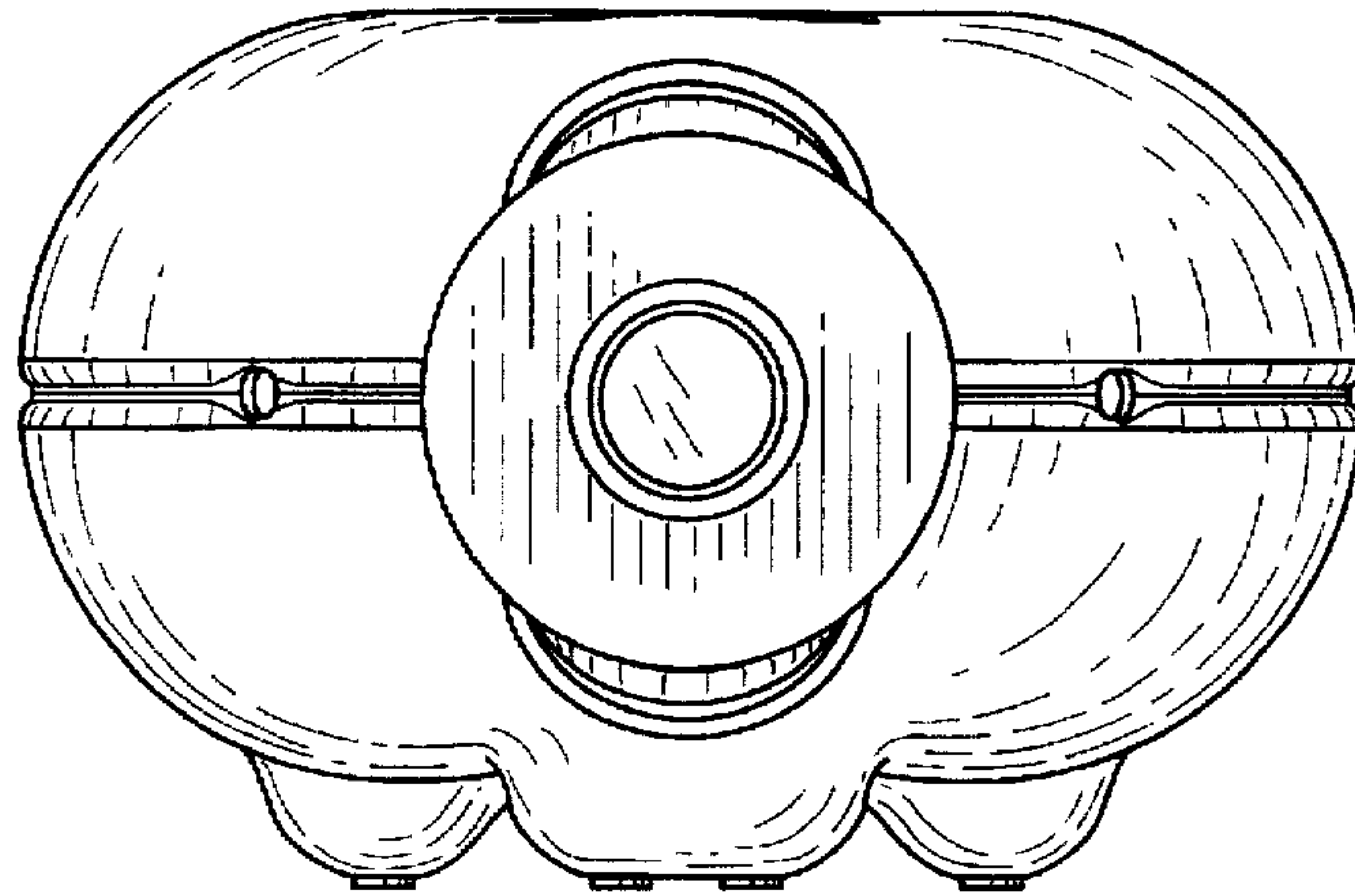


FIG. 2

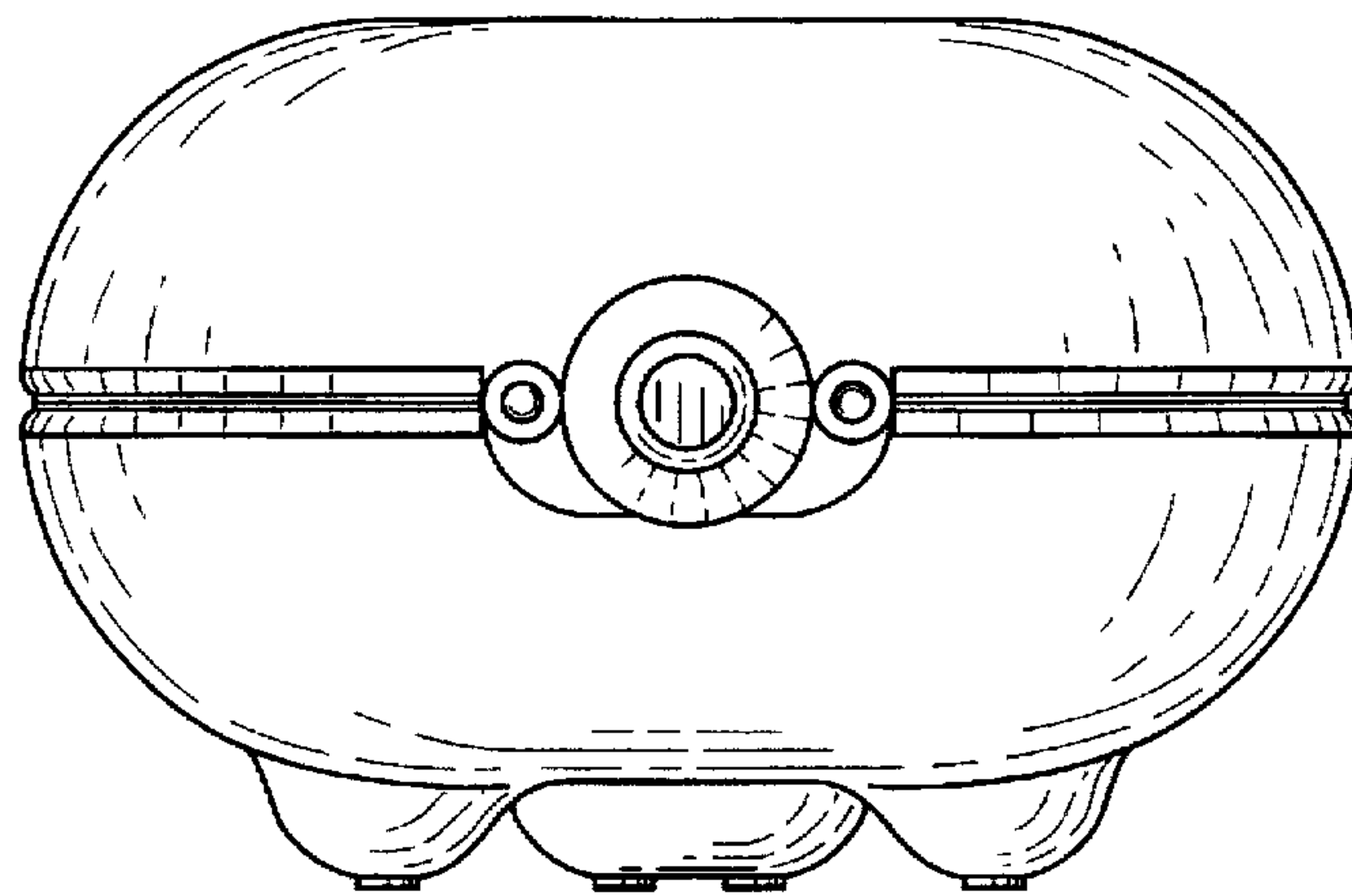


FIG. 3

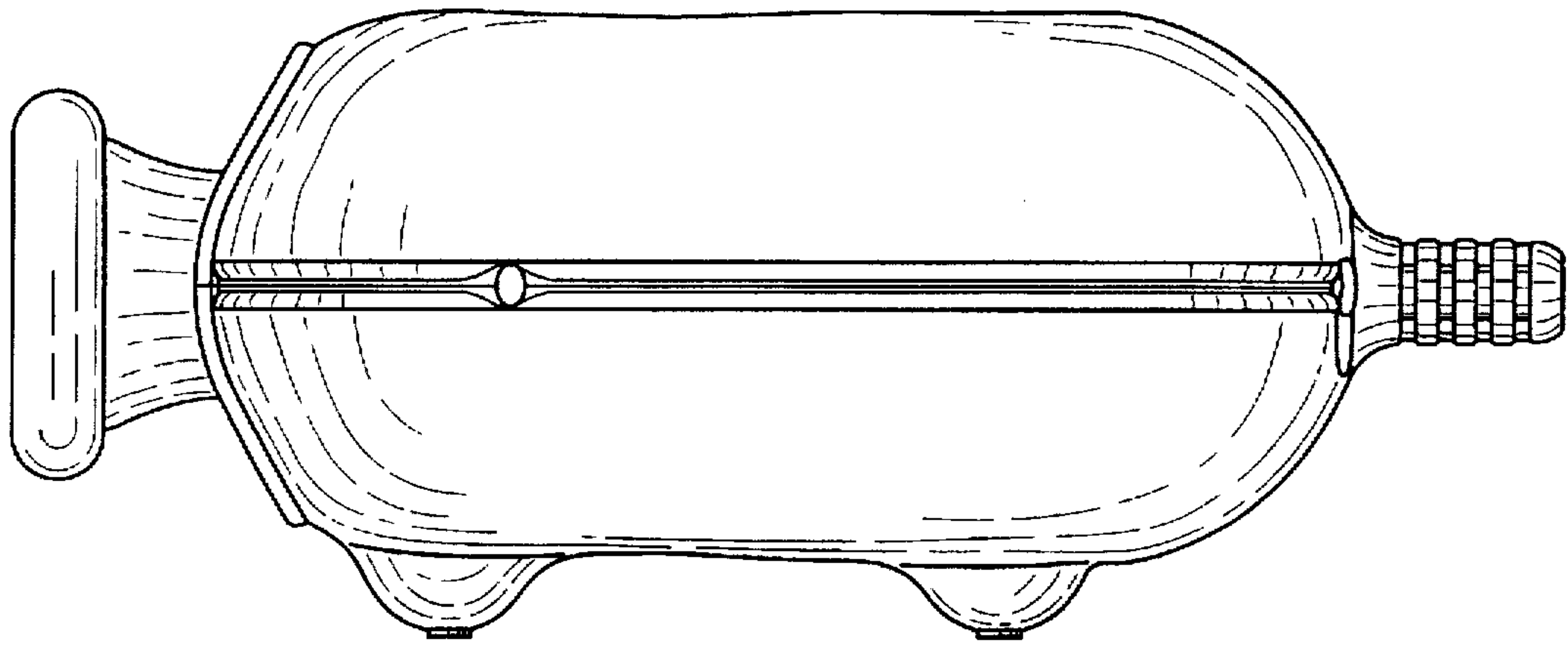


FIG. 4

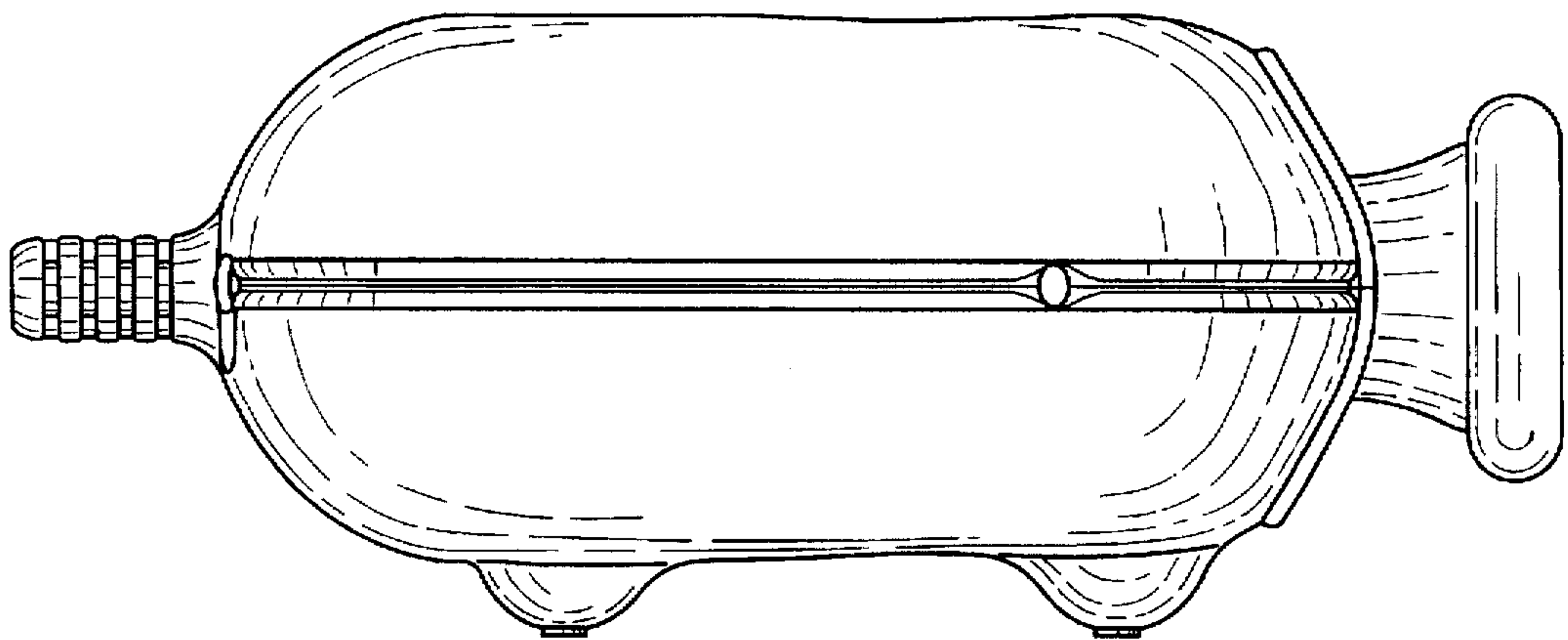


FIG. 5

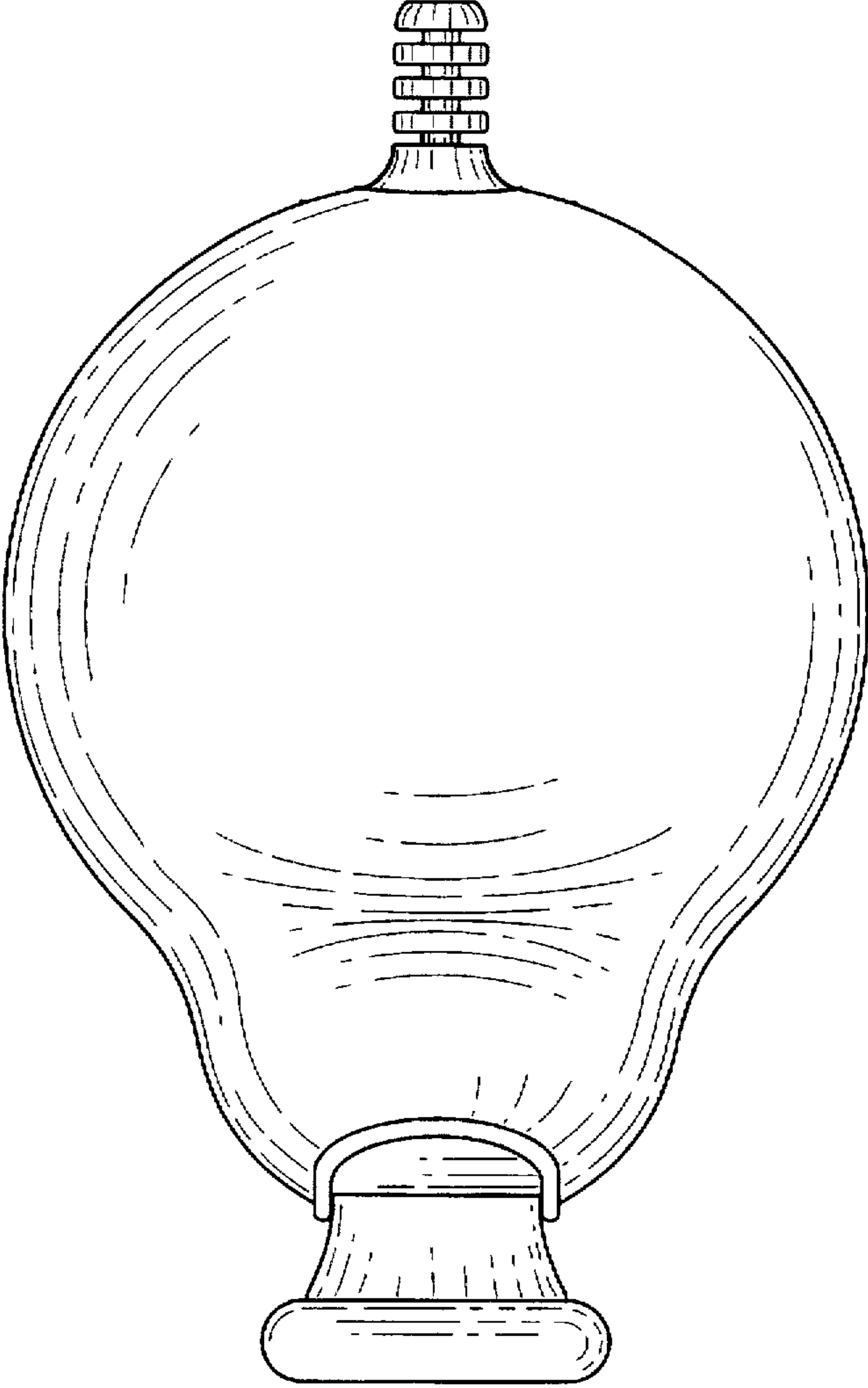


FIG. 6

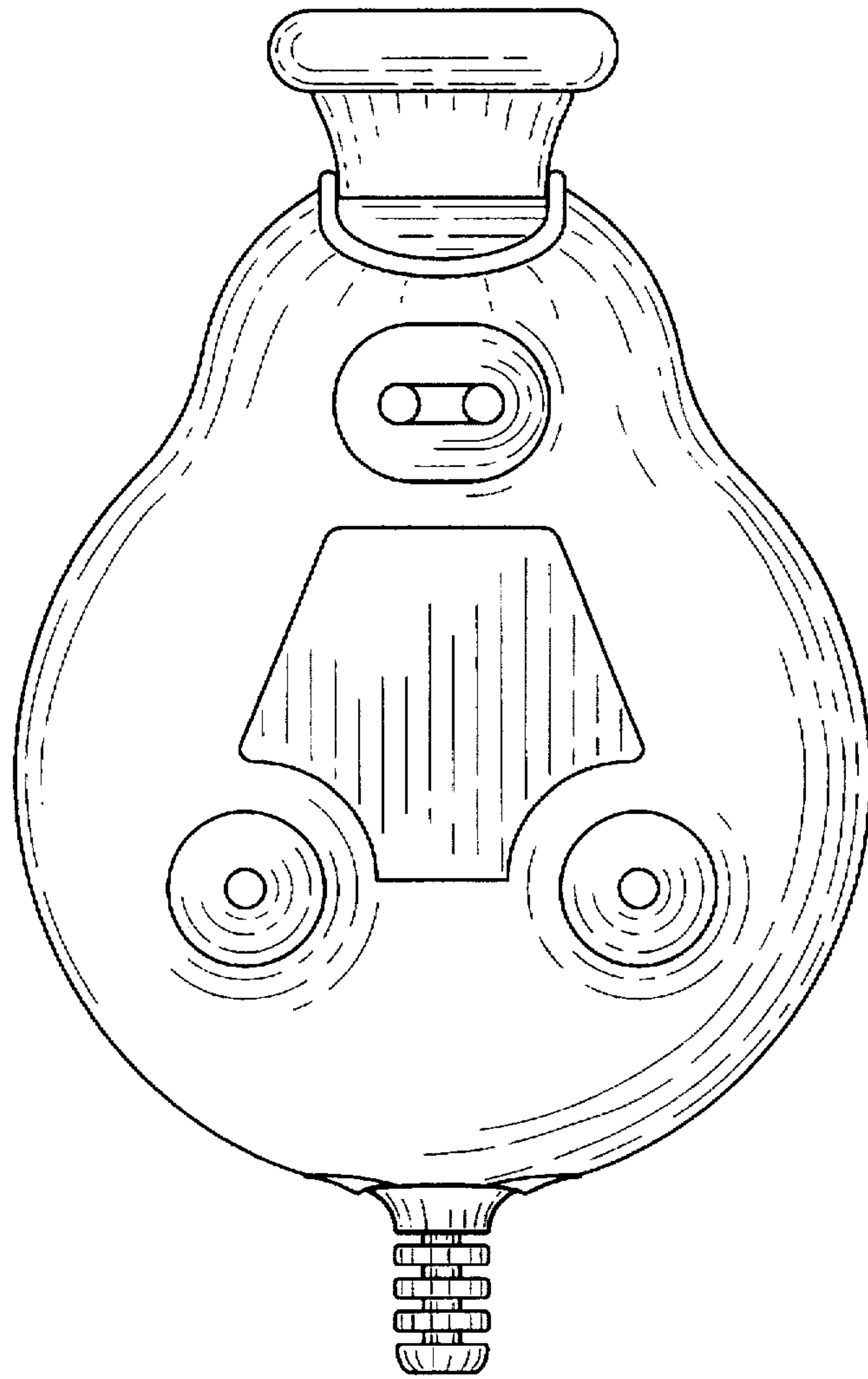


FIG. 7