



US00D395055S

United States Patent [19]
Lee

[11] **Patent Number: Des. 395,055**
[45] **Date of Patent: ***Jun. 9, 1998**

[54] **PAIR OF BINOCULARS**

[76] **Inventor: Li-hwa Lee, 8th Fl.-2, No. 111, Sec. 2, Nanking E. Rd., Taipei, Taiwan**

[*] **Notice:** The portion of the term of this patent subsequent to Dec. 2, 2011, has been disclaimed.

[**] **Term: 14 Years**

[21] **Appl. No.: 61,876**

[22] **Filed: Nov. 1, 1996**

[51] **LOC (6) Cl. 16-06**

[52] **U.S. Cl. D16/133**

[58] **Field of Search** 16/130, 132, 133;
359/399, 353, 405, 407, 409, 411, 412,
413, 415, 417-418, 419, 420, 480, 804,
809, 816; 354/76, 79

[56] **References Cited**

U.S. PATENT DOCUMENTS

D. 223,298 4/1972 Senda D16/133

D. 298,261 10/1988 Ogasawara D16/133
D. 330,038 10/1992 Ratzlaff D16/133
D. 367,662 3/1996 Chan D16/133
3,604,779 9/1971 Reinhold D16/133 X
5,231,535 7/1993 Peters et al. 359/418 X

Primary Examiner—Paula A. Mortimer
Attorney, Agent, or Firm—Morton J. Rosenberg; David I. Klein; Jun Y. Lee

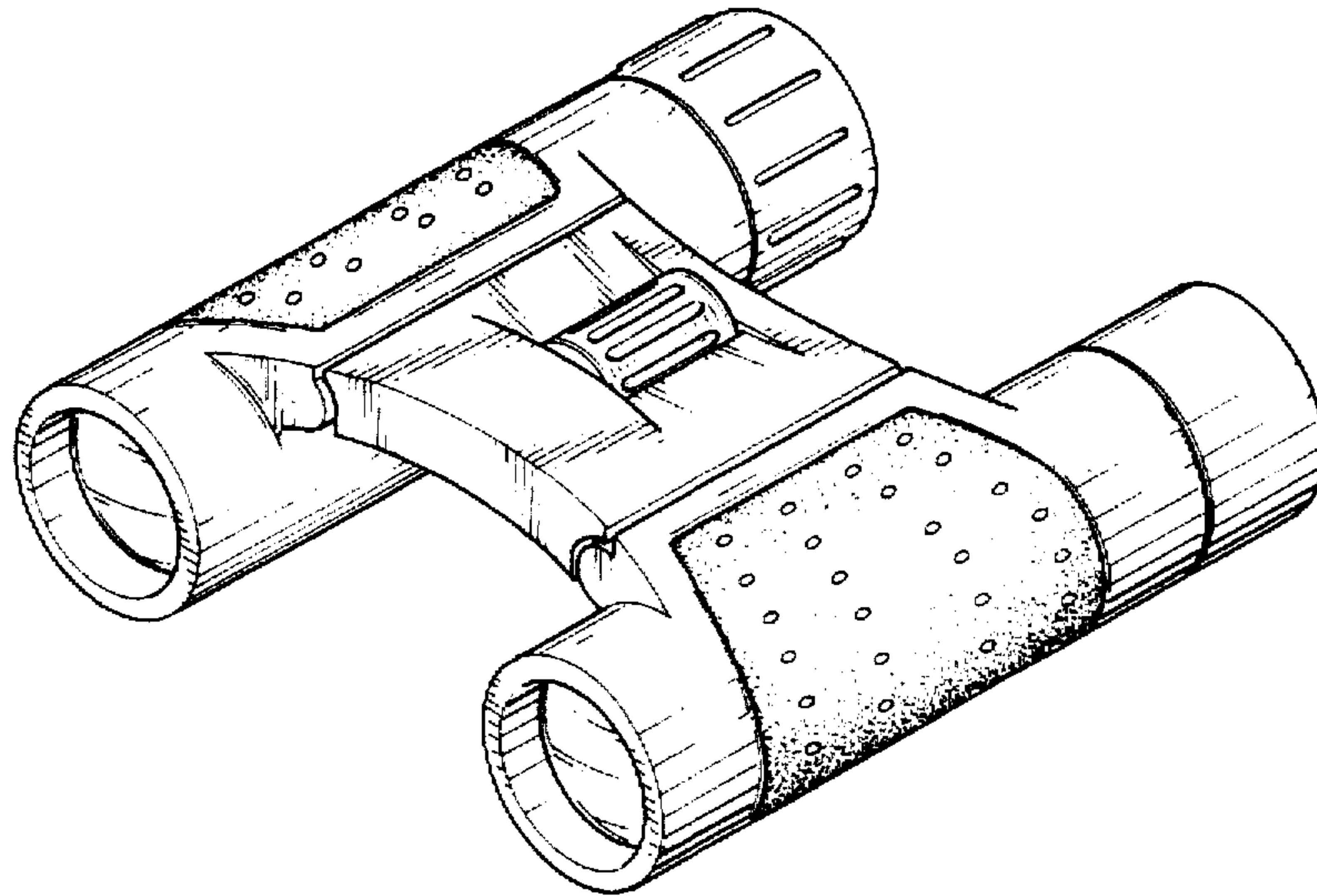
[57] **CLAIM**

The ornamental design for a pair of binoculars, as shown.

DESCRIPTION

FIG. 1 is a perspective view from the front, top and right side of a pair of binoculars showing my new design;
FIG. 2 is a front elevational view thereof;
FIG. 3 is a rear elevational view thereof;
FIG. 4 is a left side elevational view thereof;
FIG. 5 is a right side elevational view thereof;
FIG. 6 is a top plan view thereof; and,
FIG. 7 is a bottom plan view thereof.

1 Claim, 4 Drawing Sheets



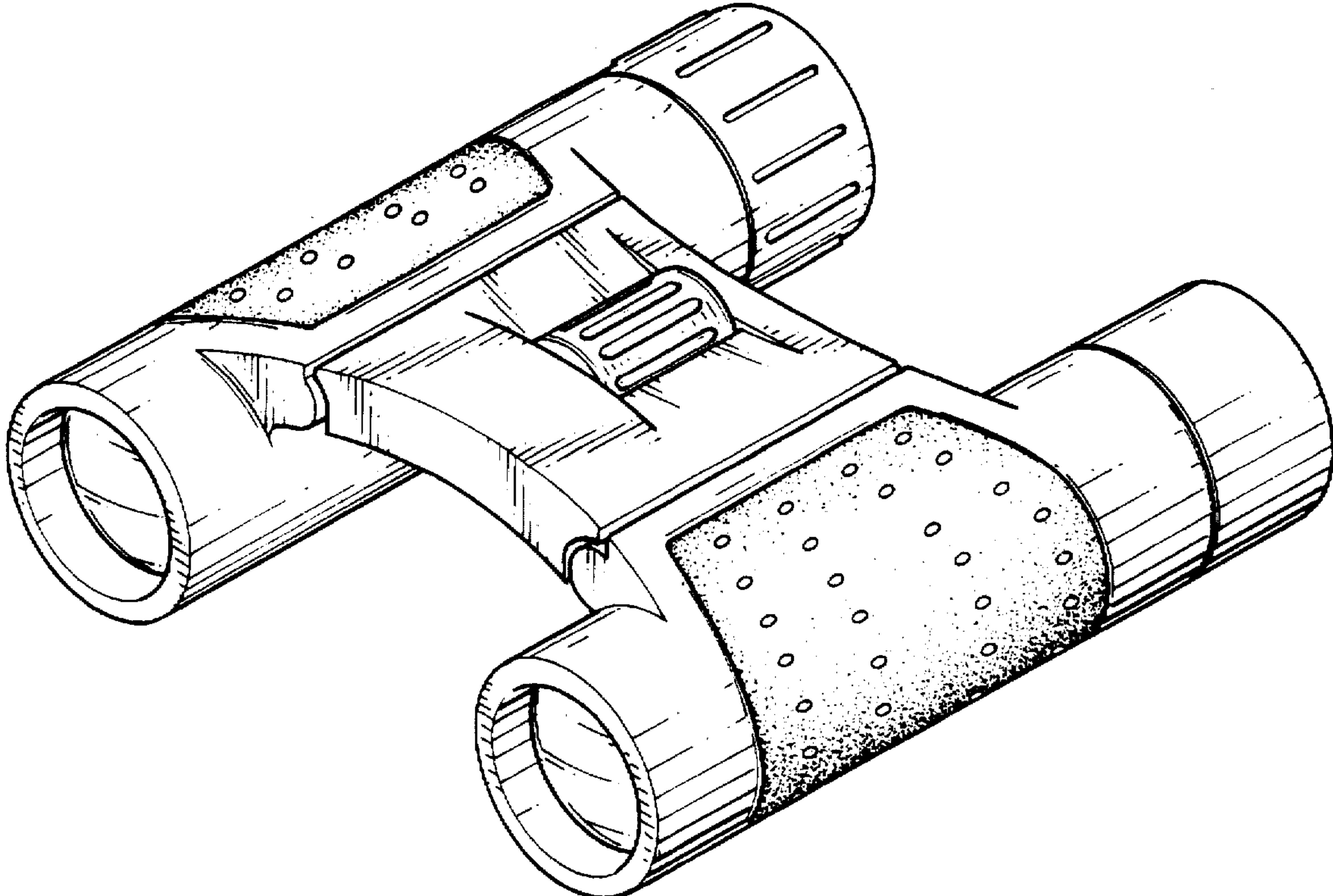


FIG. 1

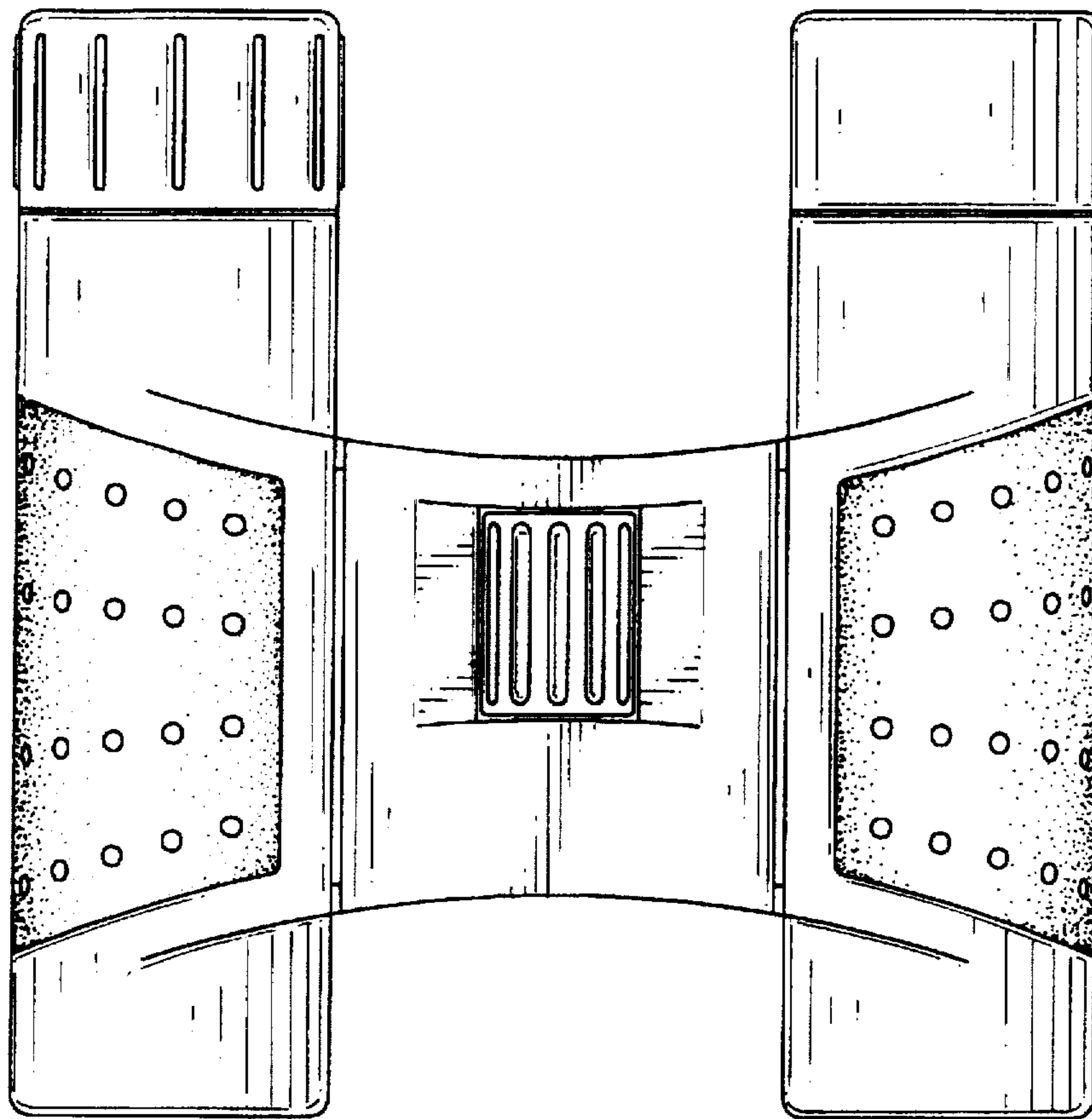


FIG. 6

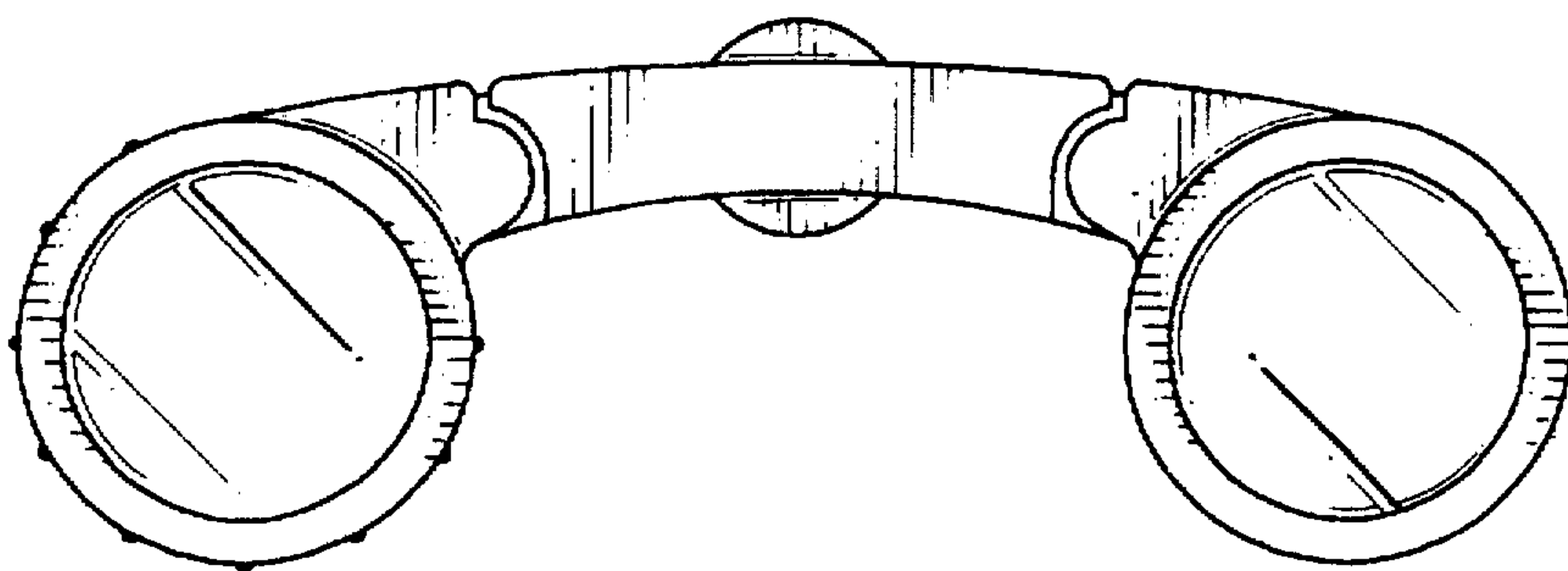


FIG. 2

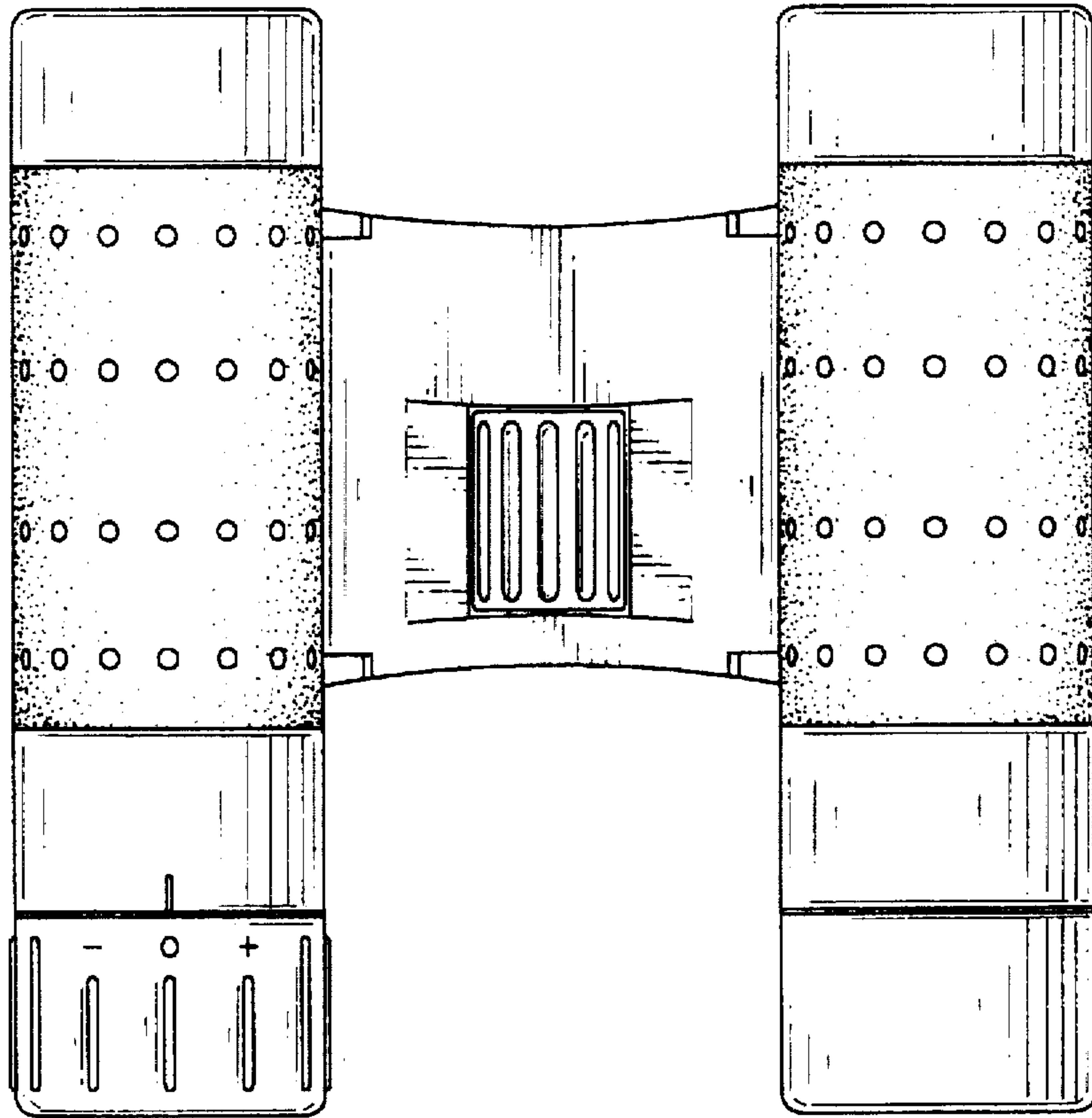


FIG. 7

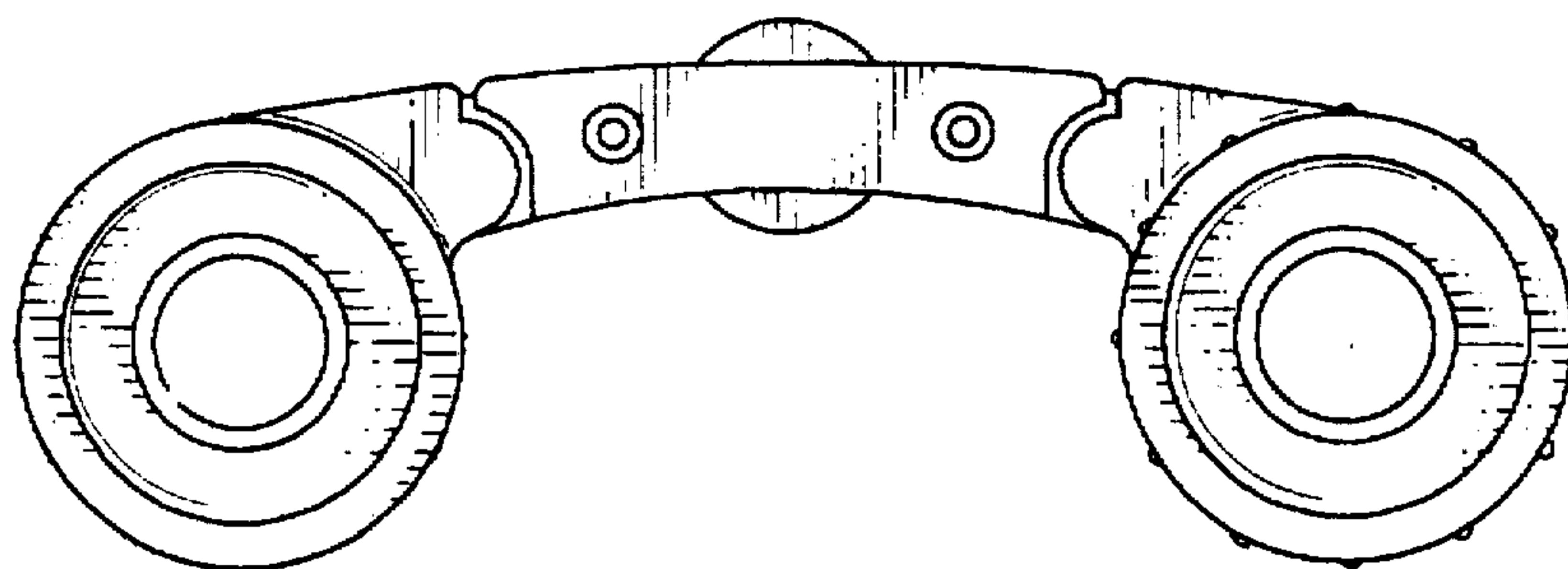


FIG. 3

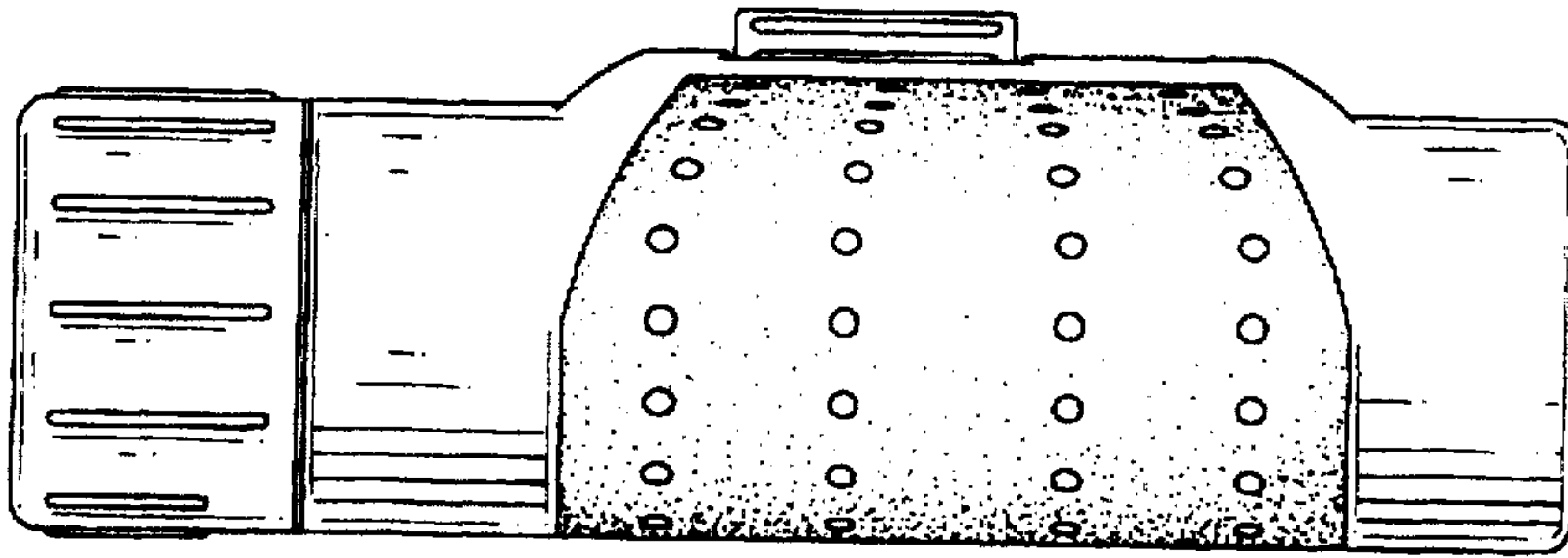


FIG. 4

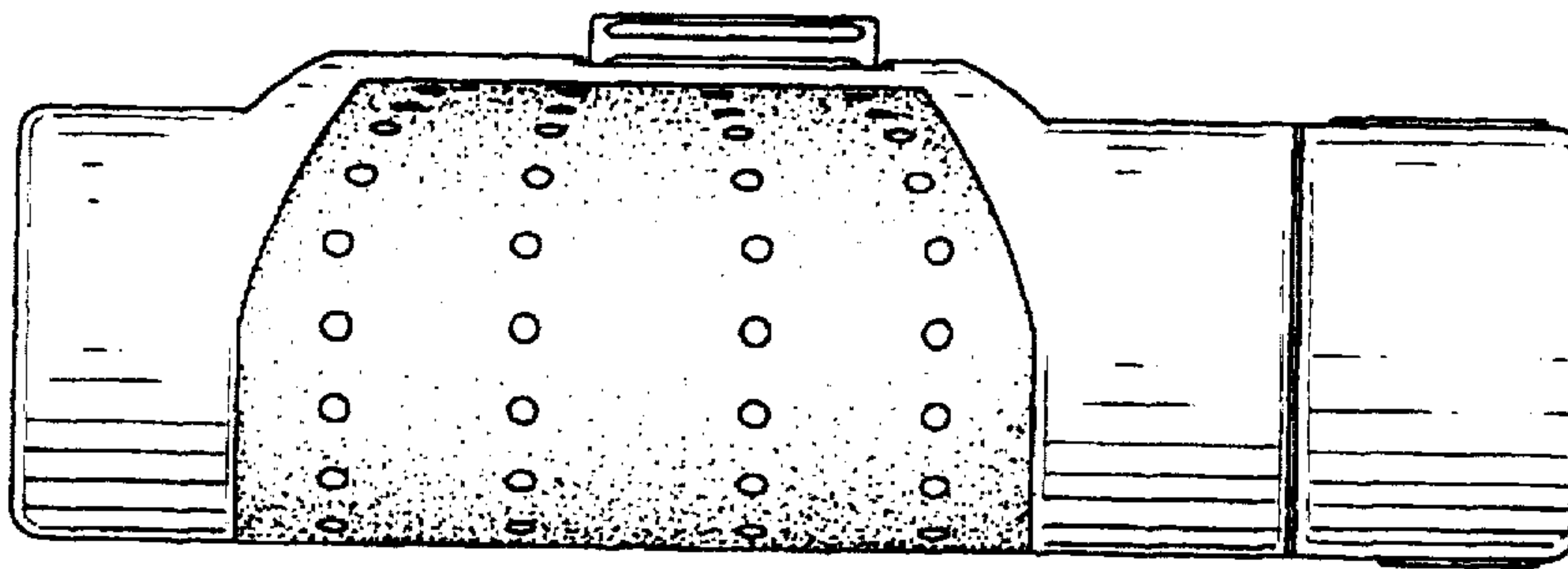


FIG. 5