



US00D395054S

United States Patent [19]
Mochinzuki

[11] **Patent Number:** **Des. 395,054**
[45] **Date of Patent:** ****Jun. 9, 1998**

[54] **STONE GRINDING AND POLISHING MACHINE**

D. 355,426 2/1995 Chen D15/124
D. 366,662 1/1996 Haffley et al. D15/124
5,142,947 9/1992 Wang 76/37 X

[75] **Inventor:** **Hideyo Mochinzuki**, Shizuoka, Japan

[73] **Assignee:** **Dainaka Seiki, Inc.**, Shizuoka, Japan

[**] **Term:** **14 Years**

Primary Examiner—Antoine Duval Davis
Attorney, Agent, or Firm—Rogers & Killeen

[21] **Appl. No.:** **69,696**

[22] **Filed:** **Apr. 4, 1997**

[57] **CLAIM**

The ornamental design for a stone grinding and polishing machine, as shown.

[51] **LOC (6) Cl.** **15-09**

[52] **U.S. Cl.** **D15/124; D15/125**

[58] **Field of Search** D15/124, 125;
76/37, 40, 41, 51, 77; 144/38, 136 R; 409/162;
451/340, 367, 224, 241

DESCRIPTION

FIG. 1 is a perspective view;
FIGS. 2 and 3 are front and rear views respectively;
FIGS. 4 and 5 are a top plan and bottom views respectively;
and,
FIGS. 6 and 7 are left-side and right-side views respectively.

[56] **References Cited**

U.S. PATENT DOCUMENTS

D. 338,901 8/1993 Chen D15/124

1 Claim, 4 Drawing Sheets

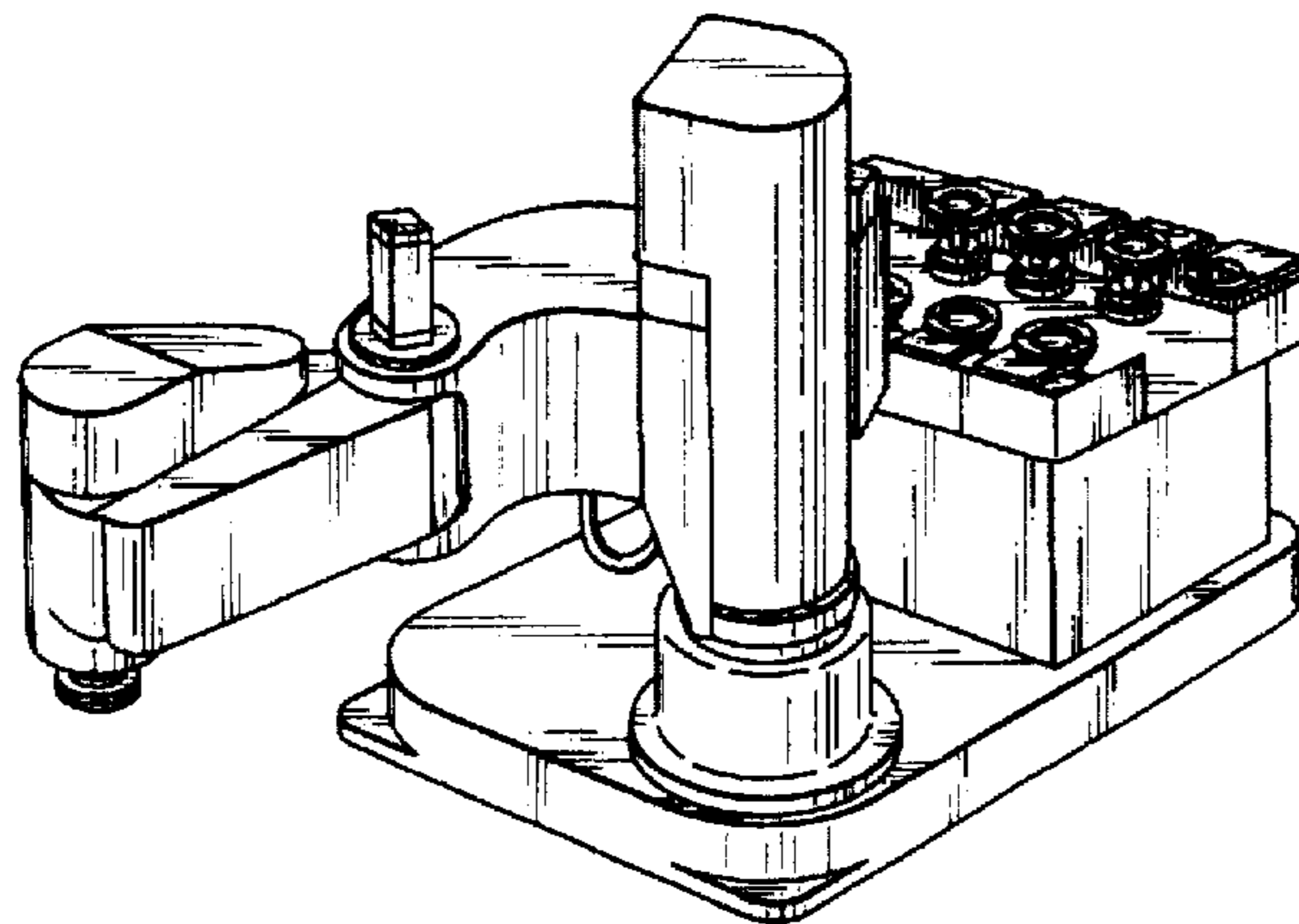


FIG. 1

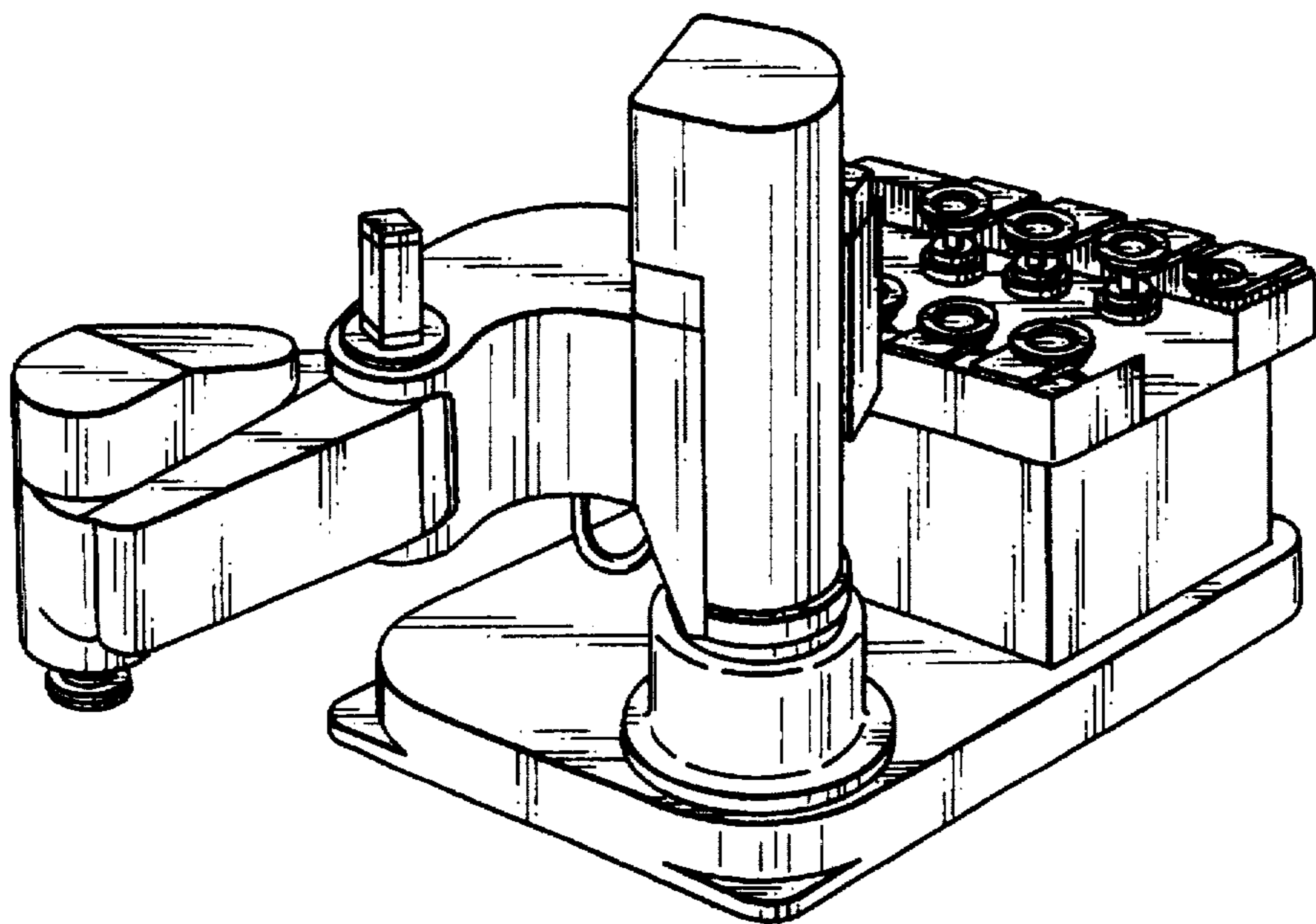


FIG. 2

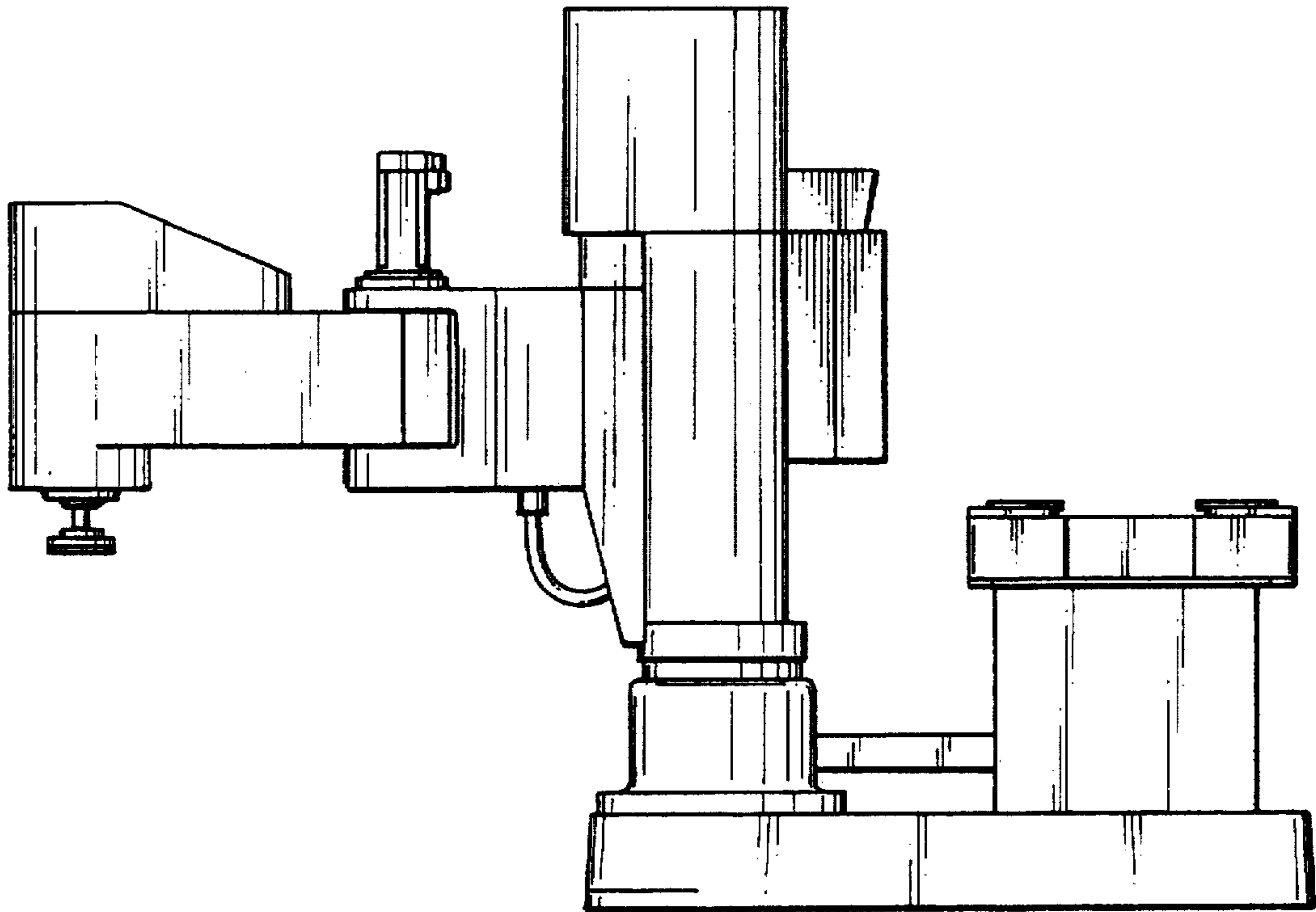


FIG. 3

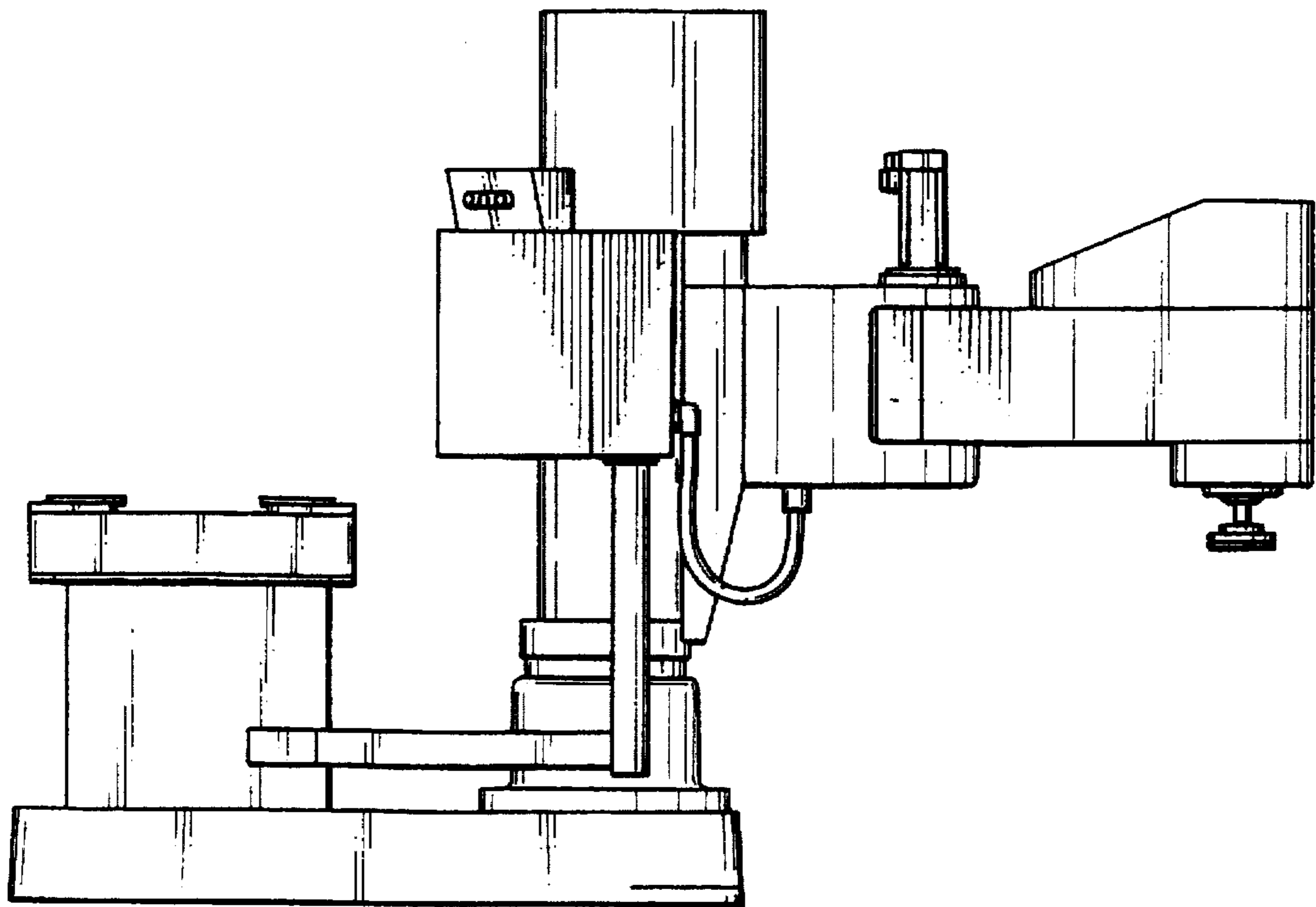


FIG. 4

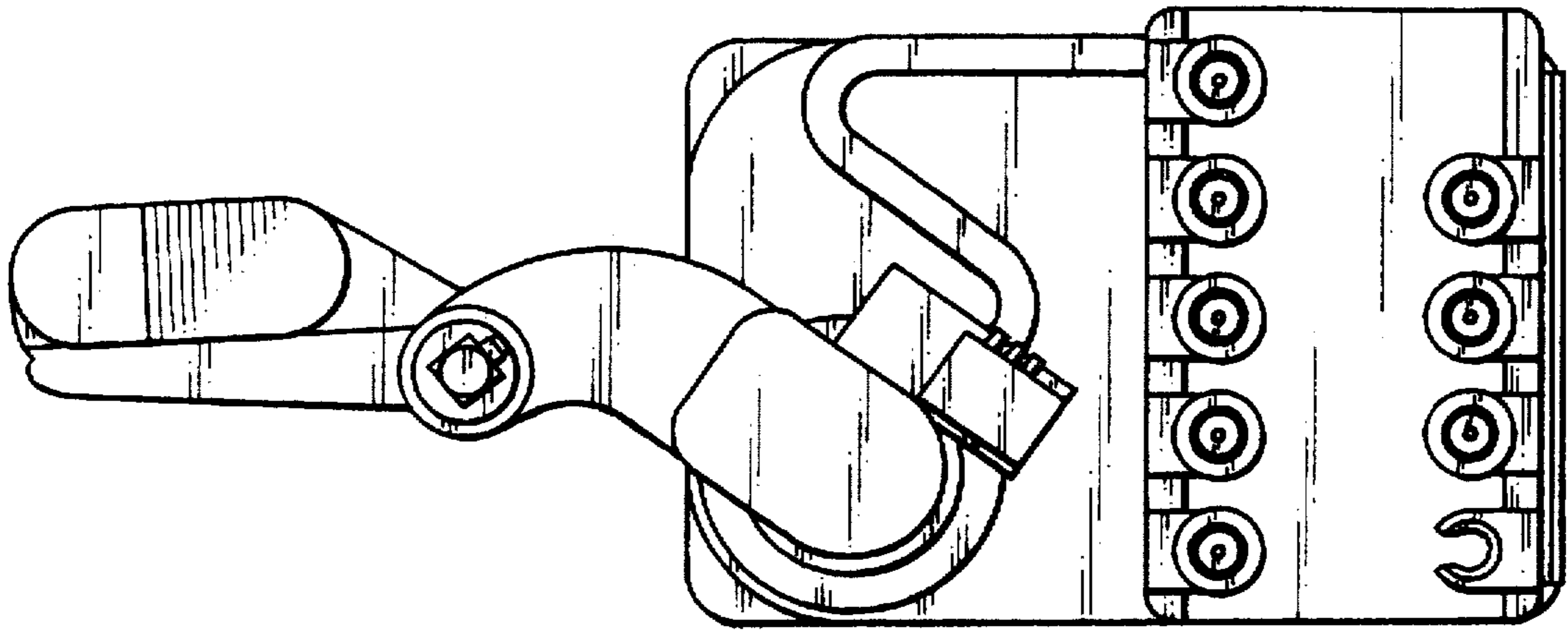


FIG. 5

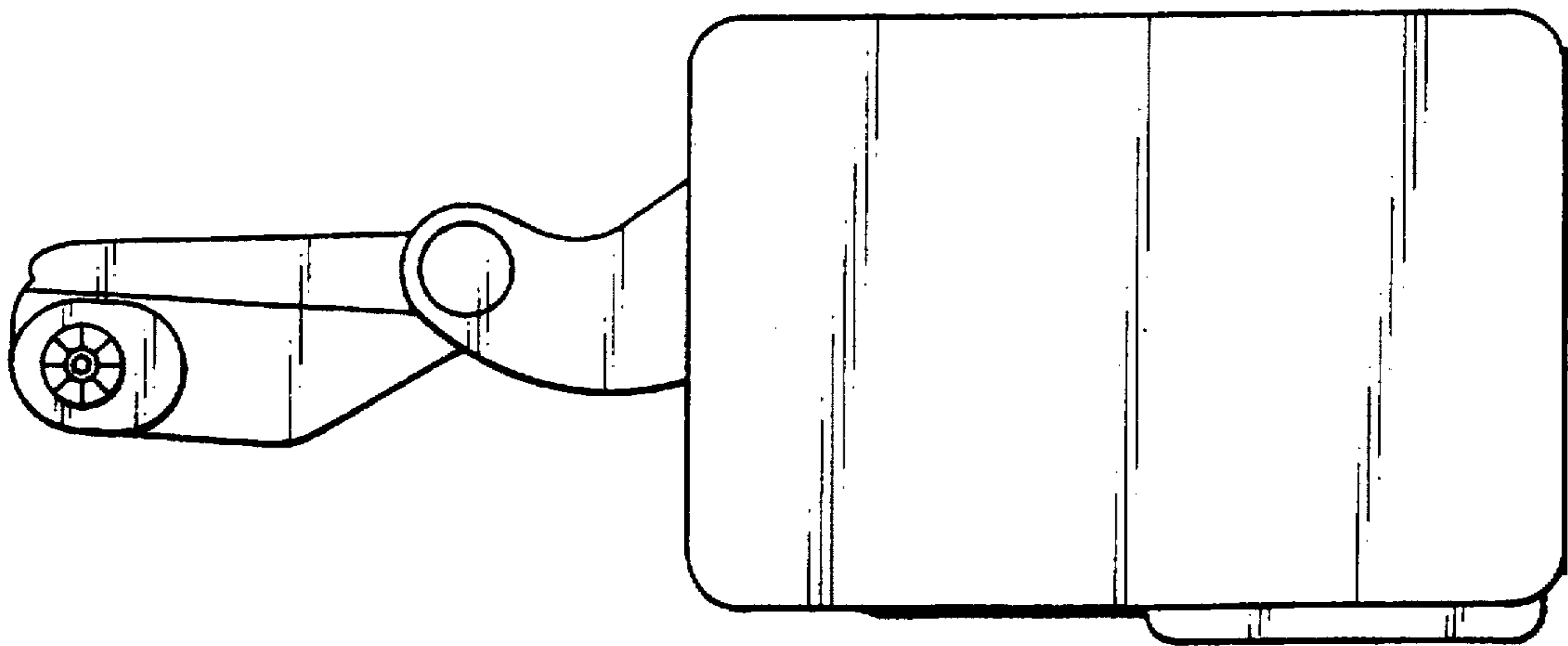


FIG. 6

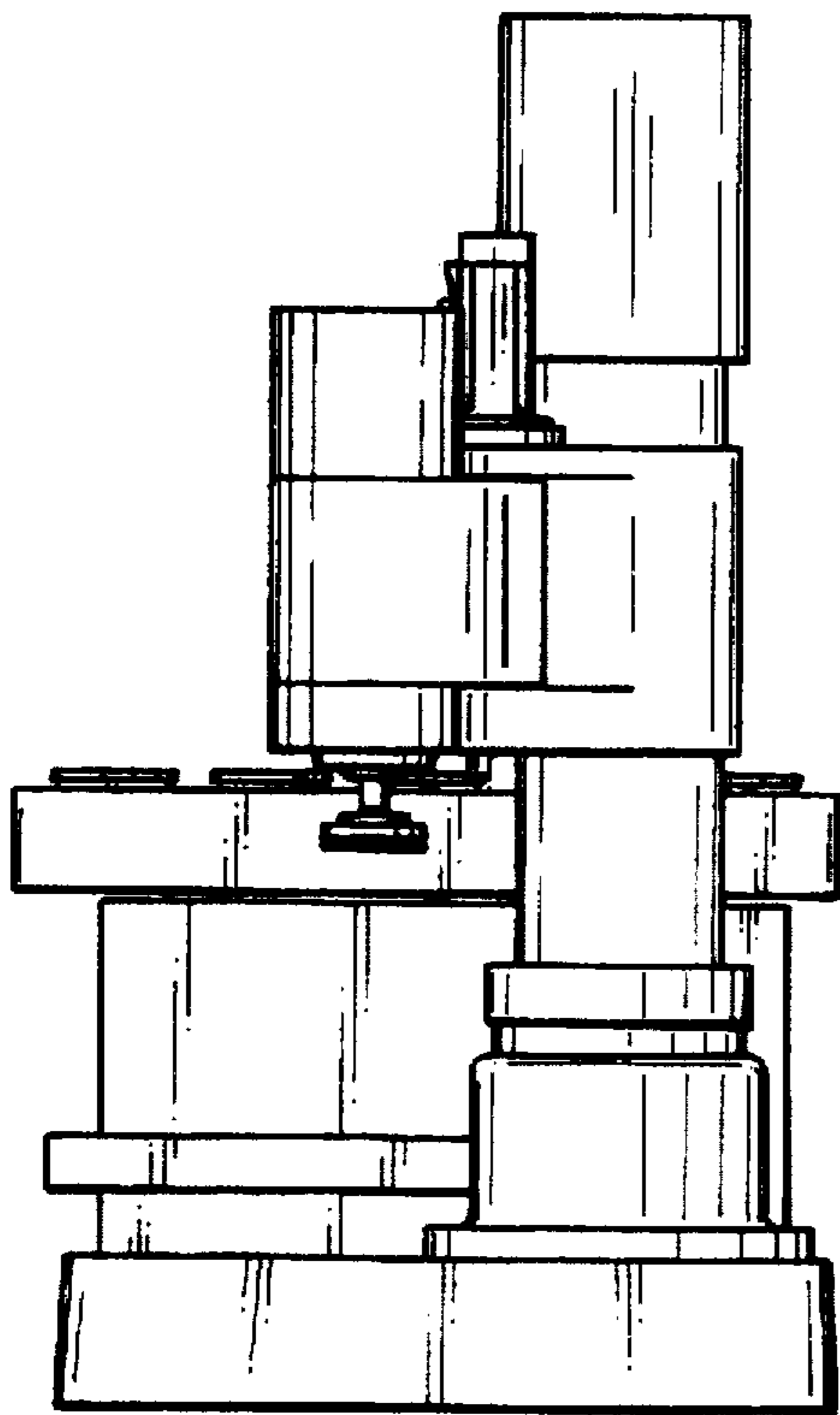


FIG. 7

