



US00D395053S

# United States Patent [19]

Aske et al.

[11] Patent Number: **Des. 395,053**

[45] Date of Patent: **\*\*Jun. 9, 1998**

[54] **AIR CIRCULATION UNIT FOR REFRIGERATED CASE**

[75] Inventors: **Fredric R. Aske, Minneapolis; Thomas A. Meyers, Minnetonka, both of Minn.**

[73] Assignee: **Stein Industries, Inc., Minneapolis, Minn.**

[\*\*] Term: **14 Years**

[21] Appl. No.: **54,500**

[22] Filed: **May 15, 1996**

[51] LOC (6) Cl. .... **15-07**

[52] U.S. Cl. .... **D15/89; D23/380; D23/382**

[58] Field of Search ..... **D15/79, 89; D23/380, D23/382; 62/404, 407, 419, 413, 415, 455; 312/236**

[56] **References Cited**

**U.S. PATENT DOCUMENTS**

- D. 338,713 8/1993 Cox et al. .... D23/380
- D. 370,969 6/1996 Ikeda ..... D23/380

- 3,365,118 1/1968 Winfield, Jr. .... 62/419
- 3,905,206 9/1975 Deubel et al. .... 62/419
- 4,248,061 2/1981 Rousseau et al. .... 62/419
- 5,308,156 5/1994 Gutierrez ..... 312/236
- 5,317,883 6/1994 Newman ..... 62/419

*Primary Examiner*—B. J. Bullock  
*Attorney, Agent, or Firm*—Nawrocki, Rooney & Silvertson

[57] **CLAIM**

The ornamental design for an air circulation unit for refrigerated cases, as shown and described.

**DESCRIPTION**

FIG. 1 is a perspective view of an air circulation unit for refrigerated cases showing our new design, the broken lines are for illustrative purposes only and form no part of the claimed design;

FIG. 2 is an enlarged front elevational view thereof;

FIG. 3 is a rear elevational view thereof;

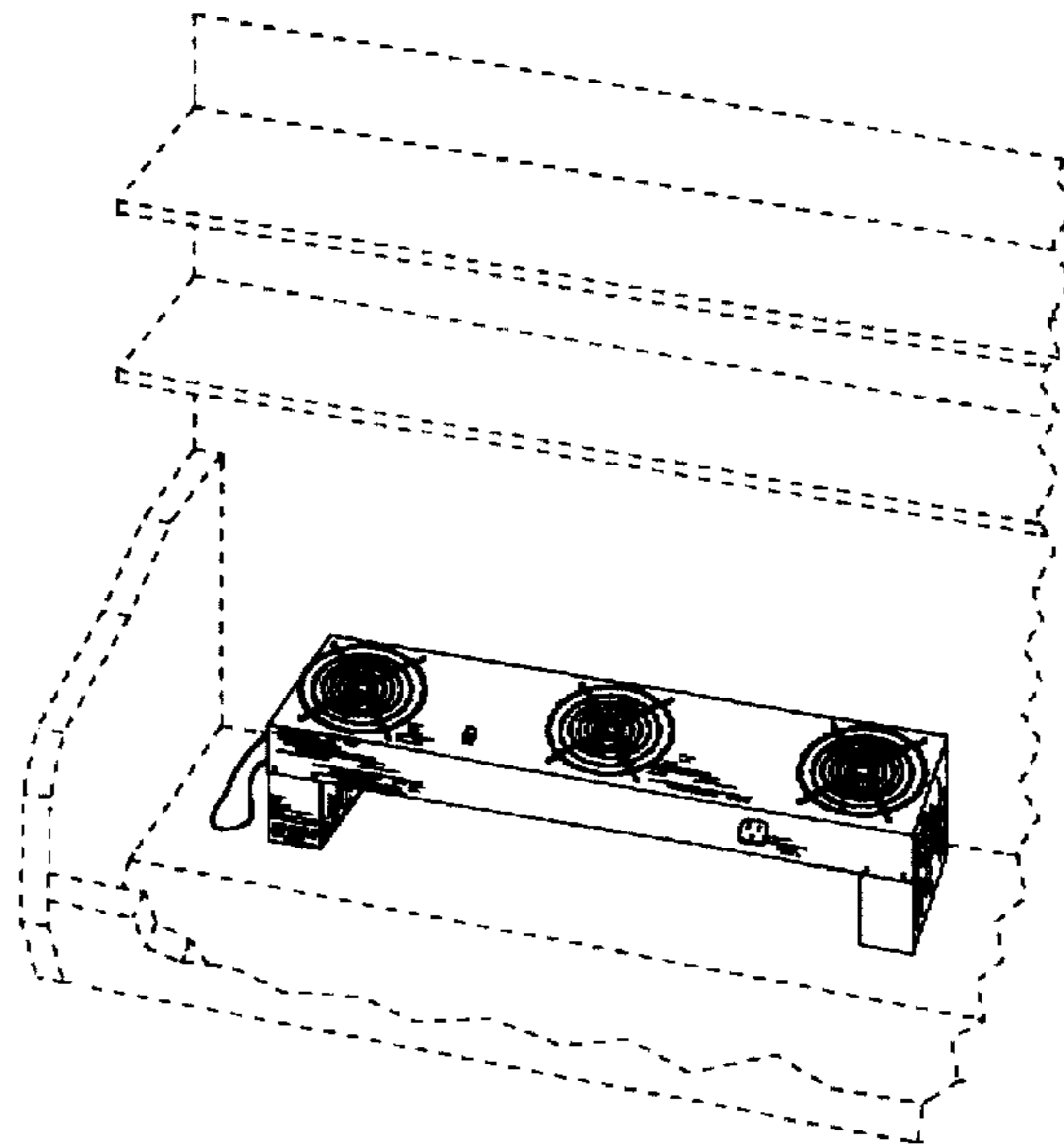
FIG. 4 is a side view taken from the left of FIG. 1;

FIG. 5 is a side view taken from the right of FIG. 1;

FIG. 6 is a top plan view thereof; and,

FIG. 7 is a bottom plan view thereof.

**1 Claim, 3 Drawing Sheets**



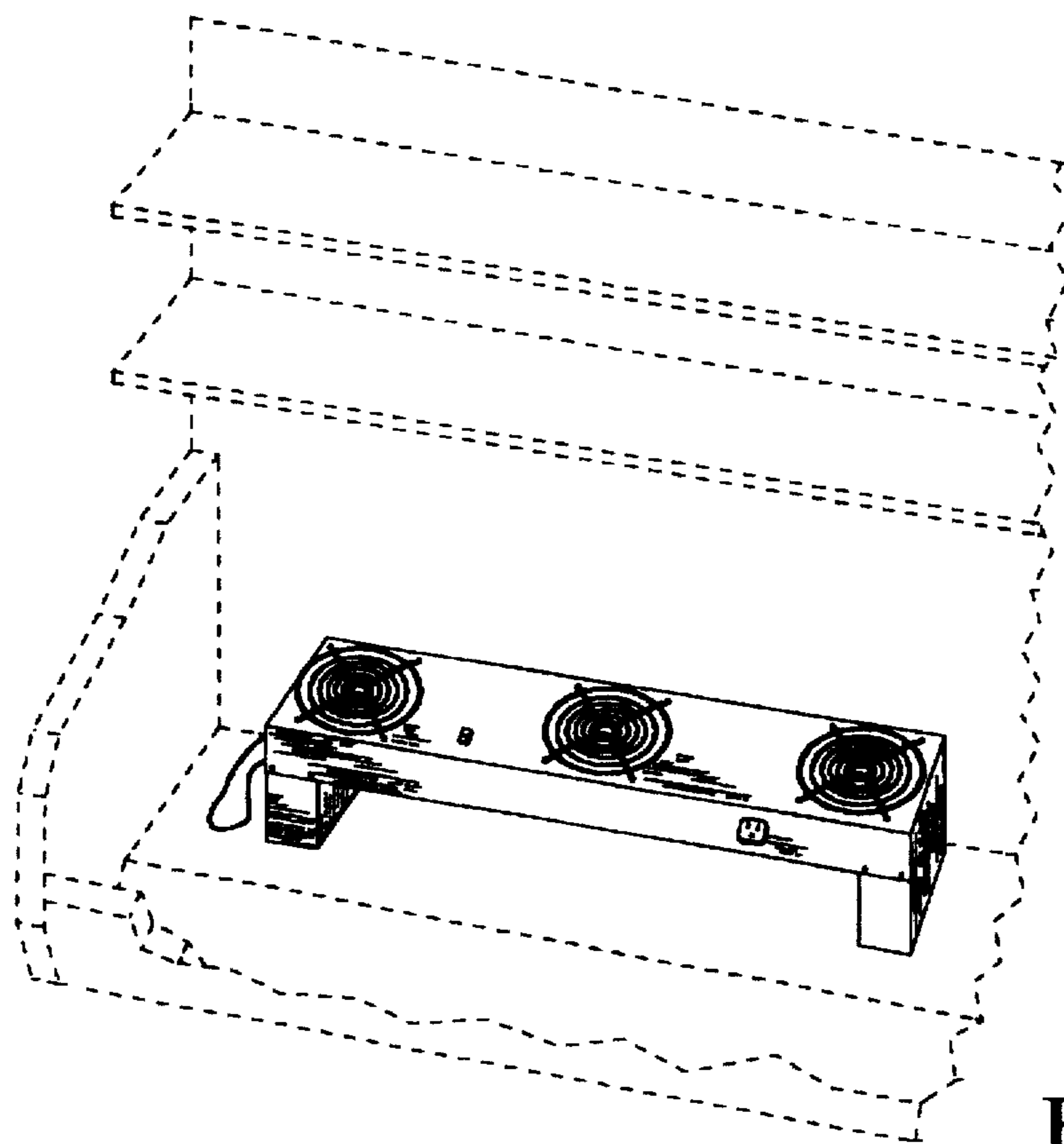


Fig. 1

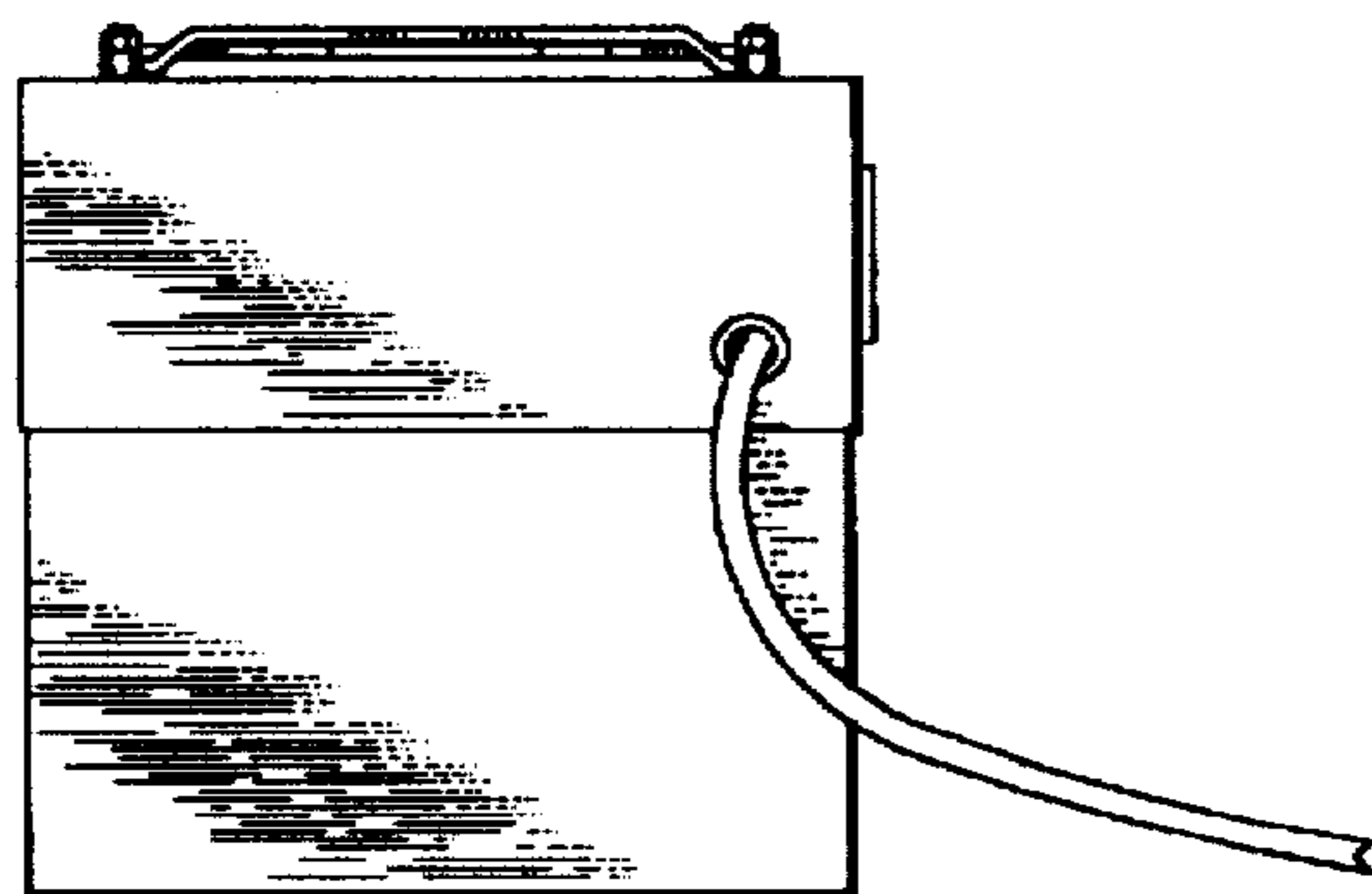


Fig. 4

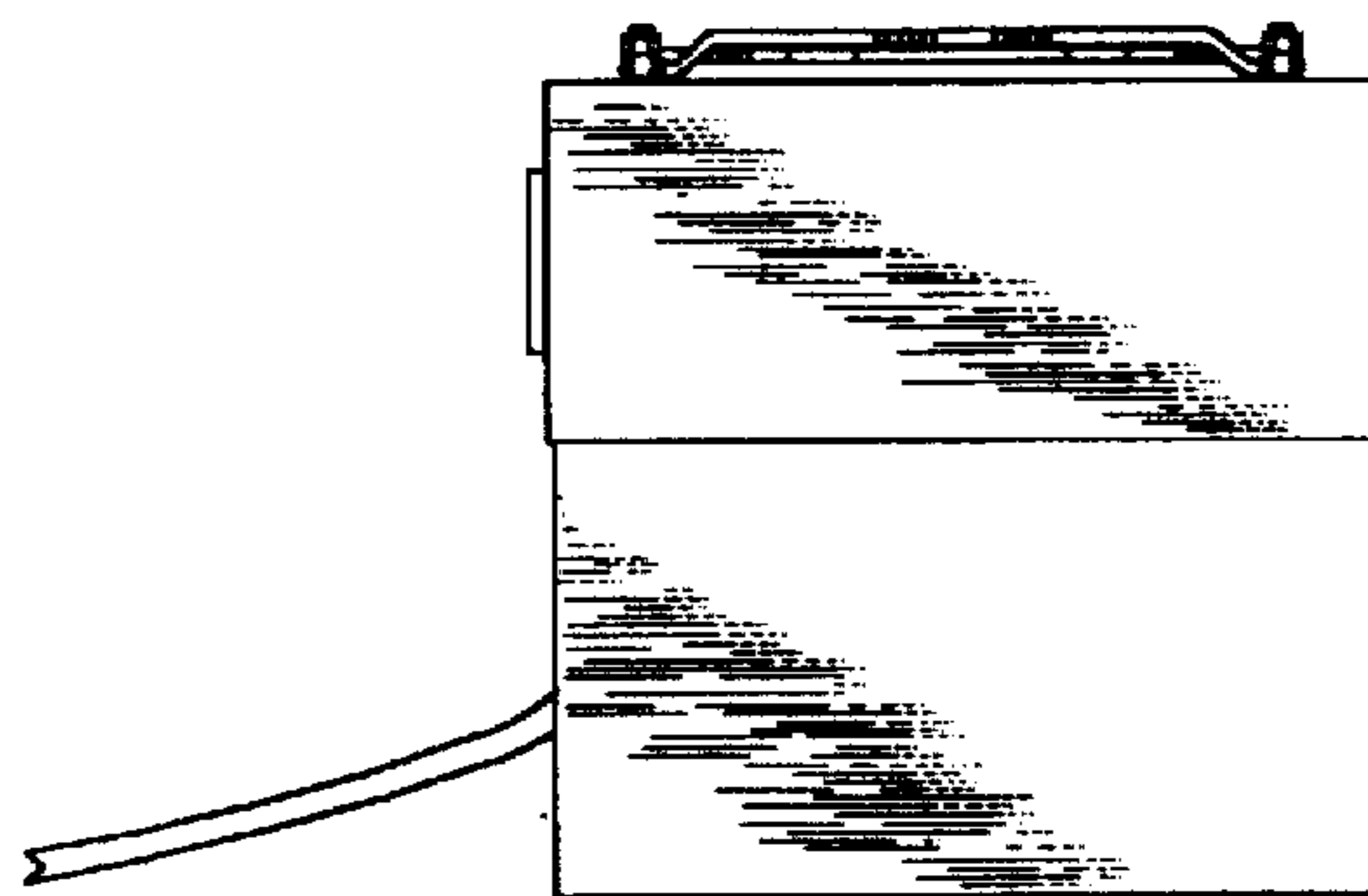
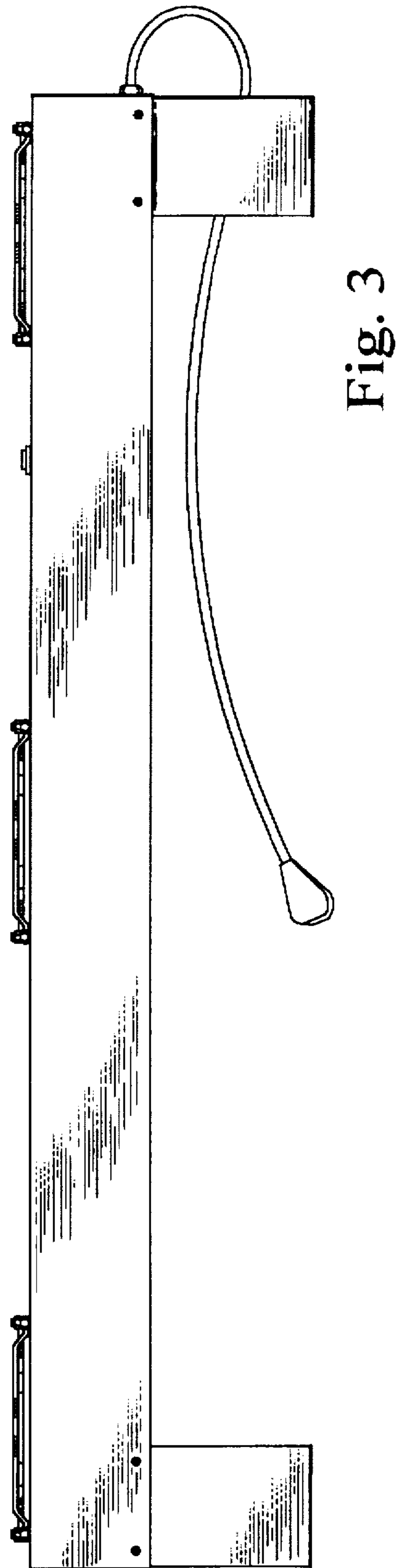
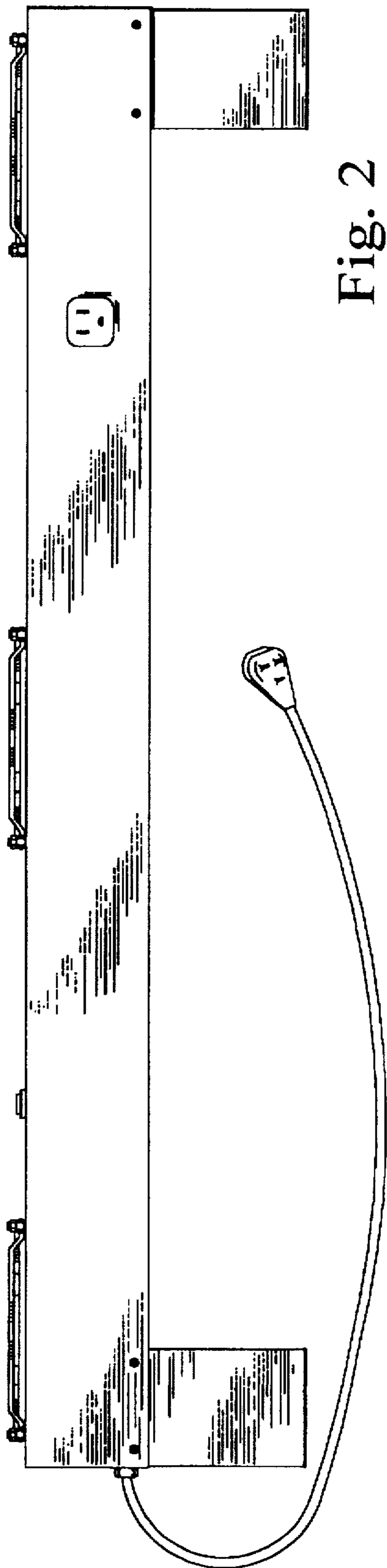


Fig. 5



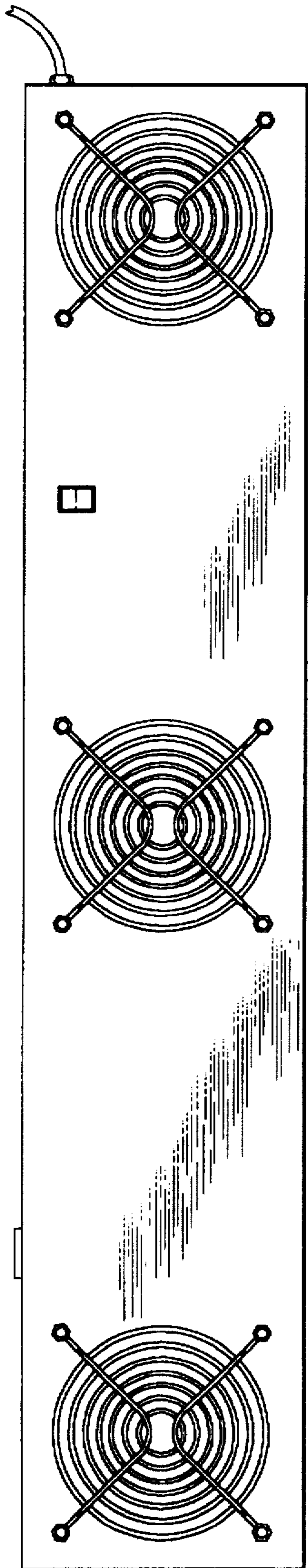


Fig. 6

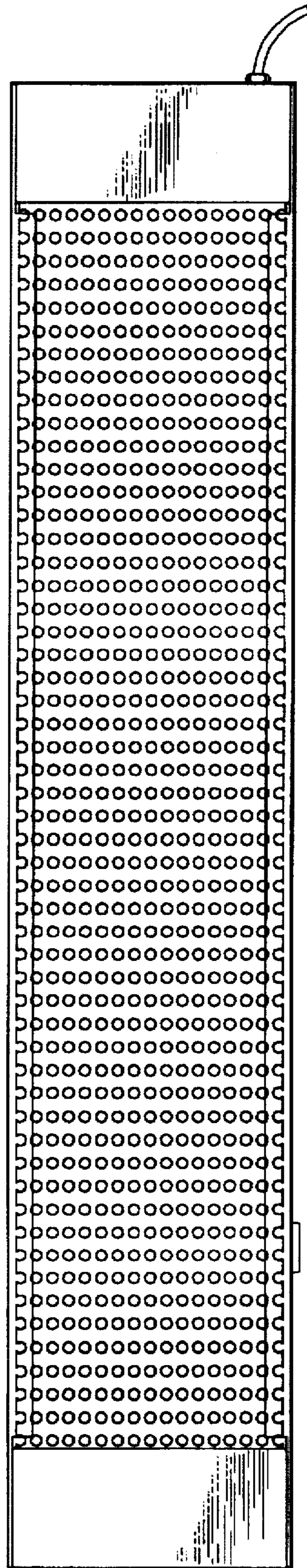


Fig. 7