



US00D395047S

# United States Patent [19]

Segan et al.

[11] Patent Number: **Des. 395,047**

[45] Date of Patent: **\*\*Jun. 9, 1998**

[54] **COMBINED CD PLAYER AND AM/FM STEREO BOOM BOX**

[75] Inventors: **Marc H. Segan**, New York; **Gary Strauss**, Mamaroneck, both of N.Y.; **Gerald W. Cummings**, Marlton, N.J.; **Vint Gosner**, Essex, Mass.; **Joseph Casale**, Burlington, Conn.

[73] Assignee: **Long Hall Technologies, L.L.C.**, New York, N.Y.

[\*\*] Term: **14 Years**

[21] Appl. No.: **57,562**

[22] Filed: **Jul. 26, 1996**

[51] LOC (6) Cl. .... **14-01**

[52] U.S. Cl. .... **D14/168**

[58] Field of Search ..... D14/124, 156, D14/160-172, 188-190, 193-198, 265, 299; D21/111-113; 455/344, 350, 351

[56] **References Cited**

**U.S. PATENT DOCUMENTS**

D. 310,835 9/1990 Grimes ..... D14/168 X

D. 347,429	5/1994	Kanatani et al. ....	D14/168 X
D. 348,461	7/1994	Peersmann .....	D14/168 X
D. 368,937	4/1996	Aker et al. ....	D21/112 X
D. 369,602	5/1996	Santarsiero et al. ....	D14/168 X
D. 369,603	5/1996	Segan et al. ....	D14/196 X

*Primary Examiner*—Ted Shooman  
*Assistant Examiner*—Nanda Bondade  
*Attorney, Agent, or Firm*—Cohen, Pontani, Lieberman, Pavane

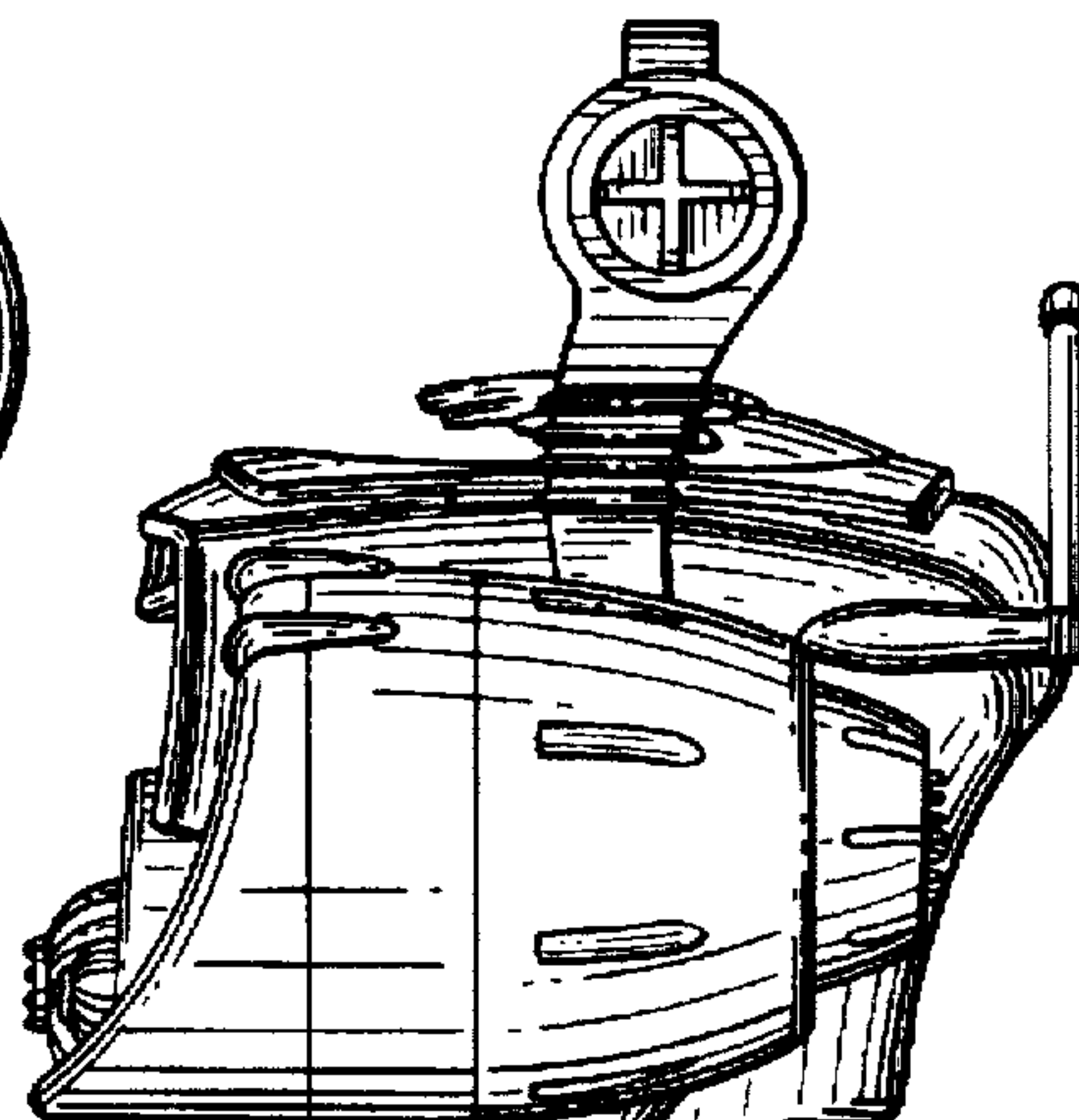
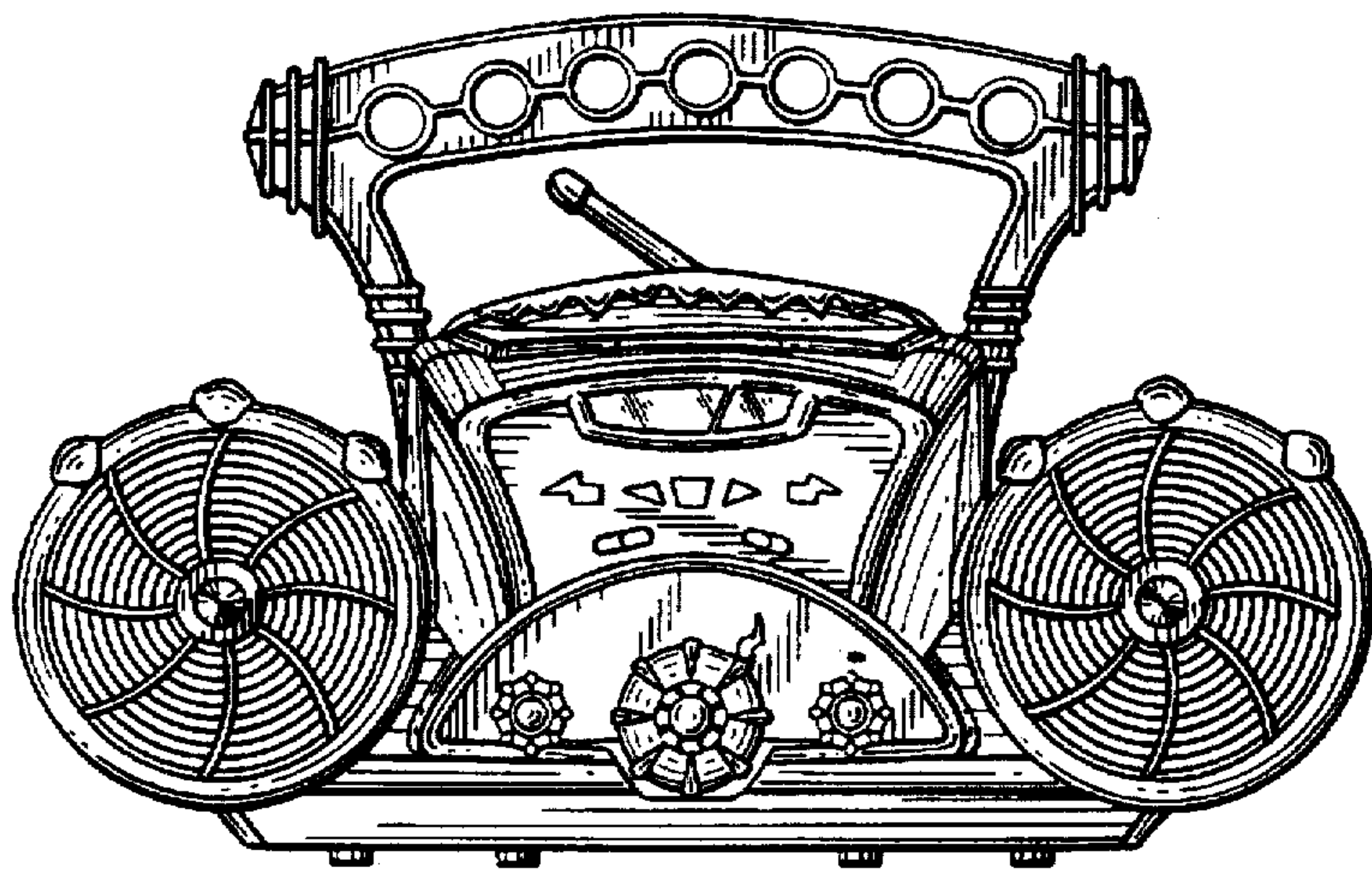
[57] **CLAIM**

The ornamental design for a combined CD player and AM/FM stereo boom box, as shown and described.

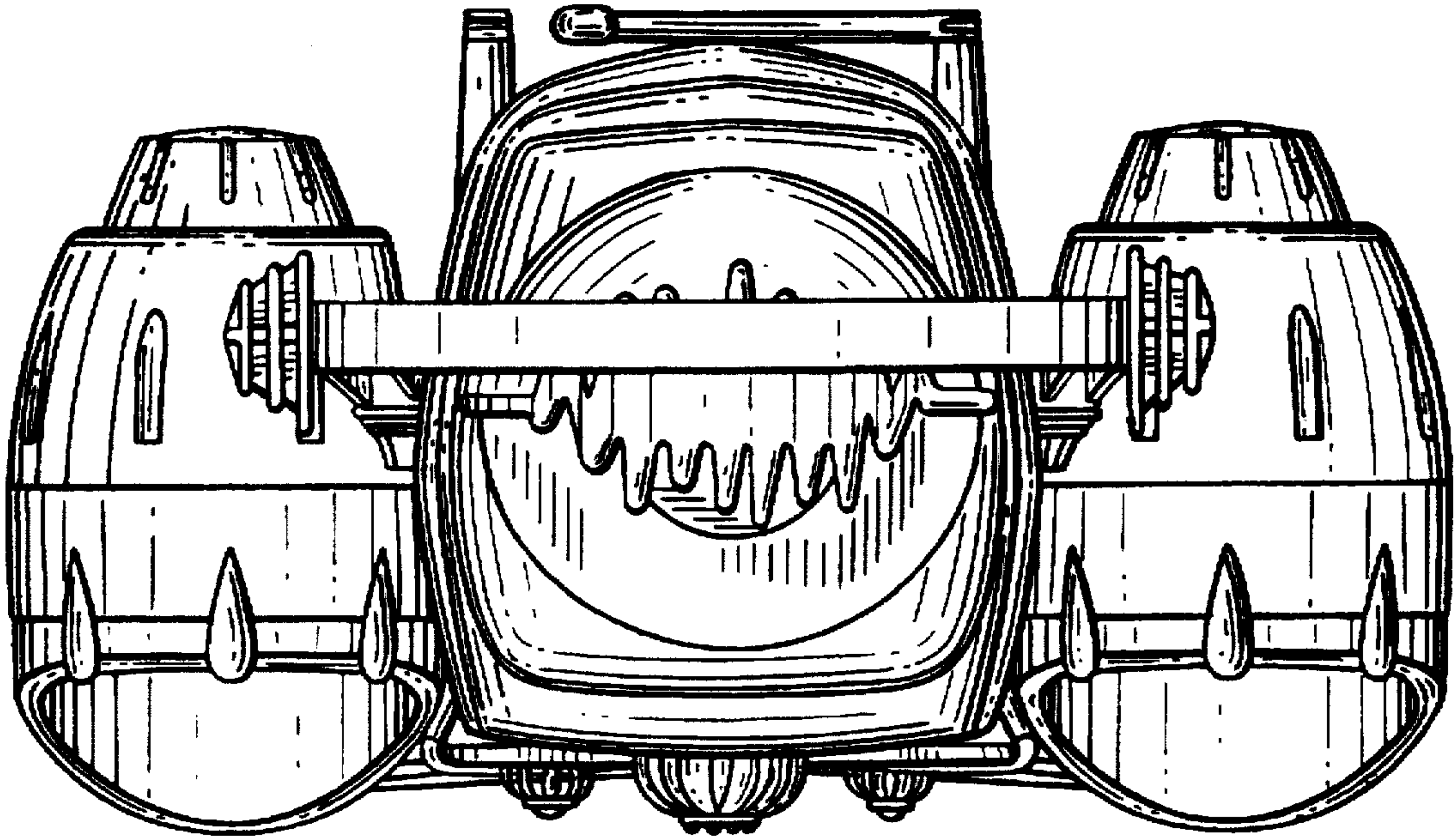
**DESCRIPTION**

FIG. 1 is a top plan of a combined CD player and AM/FM stereo boom box showing our new design;  
FIG. 2 is a front elevational view thereof;  
FIG. 3 is a right-side elevational view thereof;  
FIG. 4 is a rear elevational view thereof;  
FIG. 5 is a left-side elevational view thereof; and,  
FIG. 6 is a bottom plan view thereof.

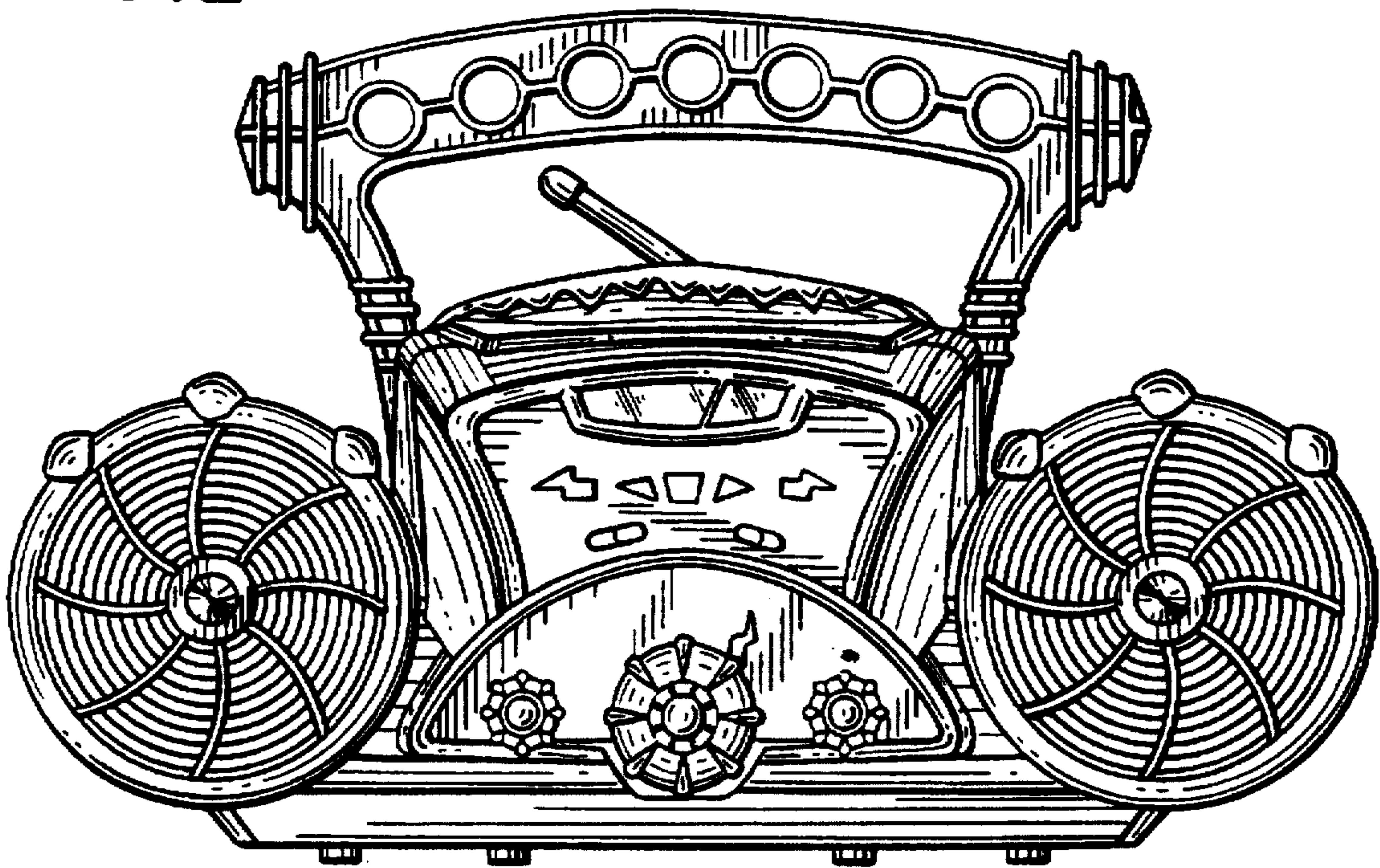
**1 Claim, 3 Drawing Sheets**



*FIG. 1*

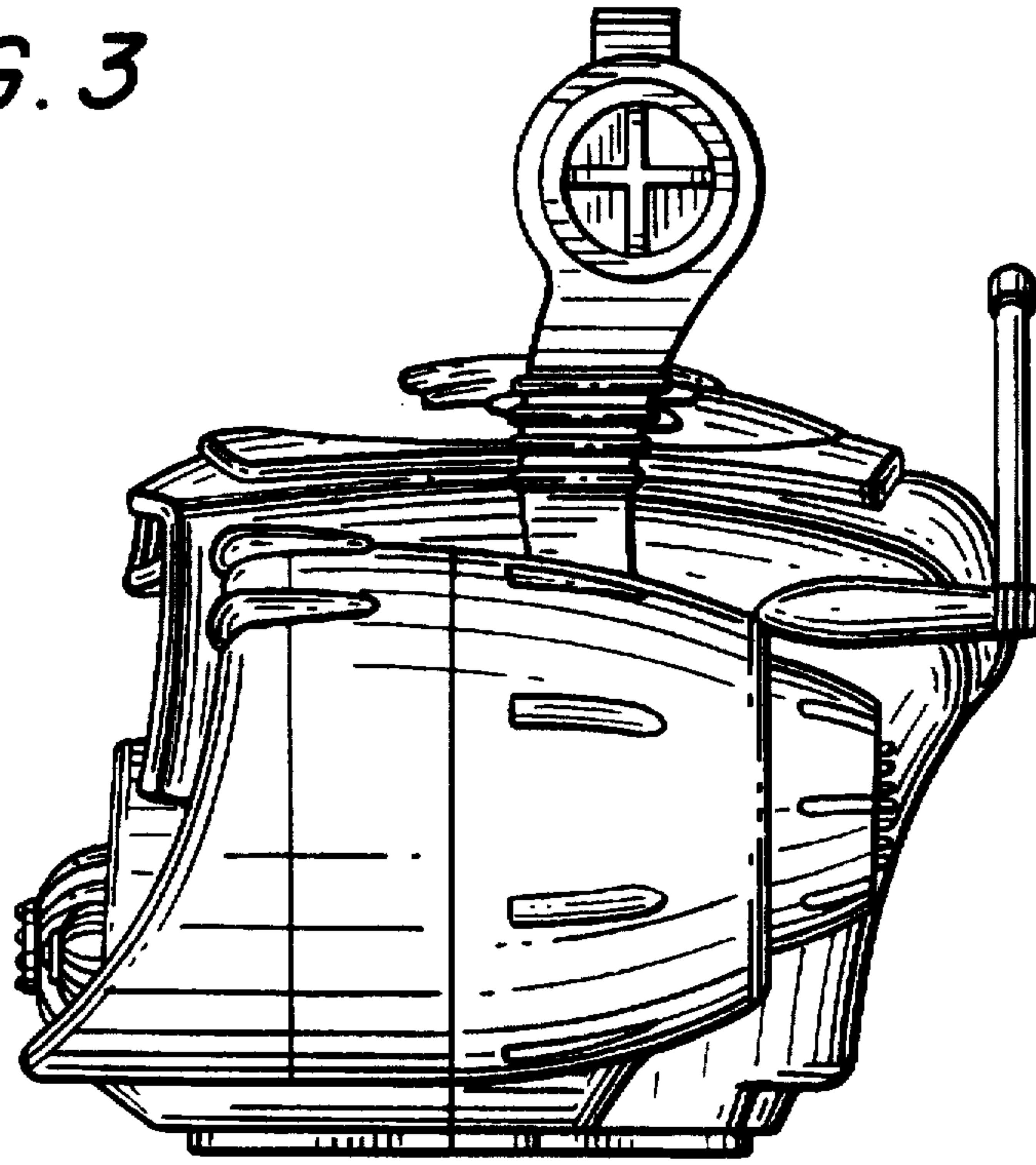


*FIG. 2*

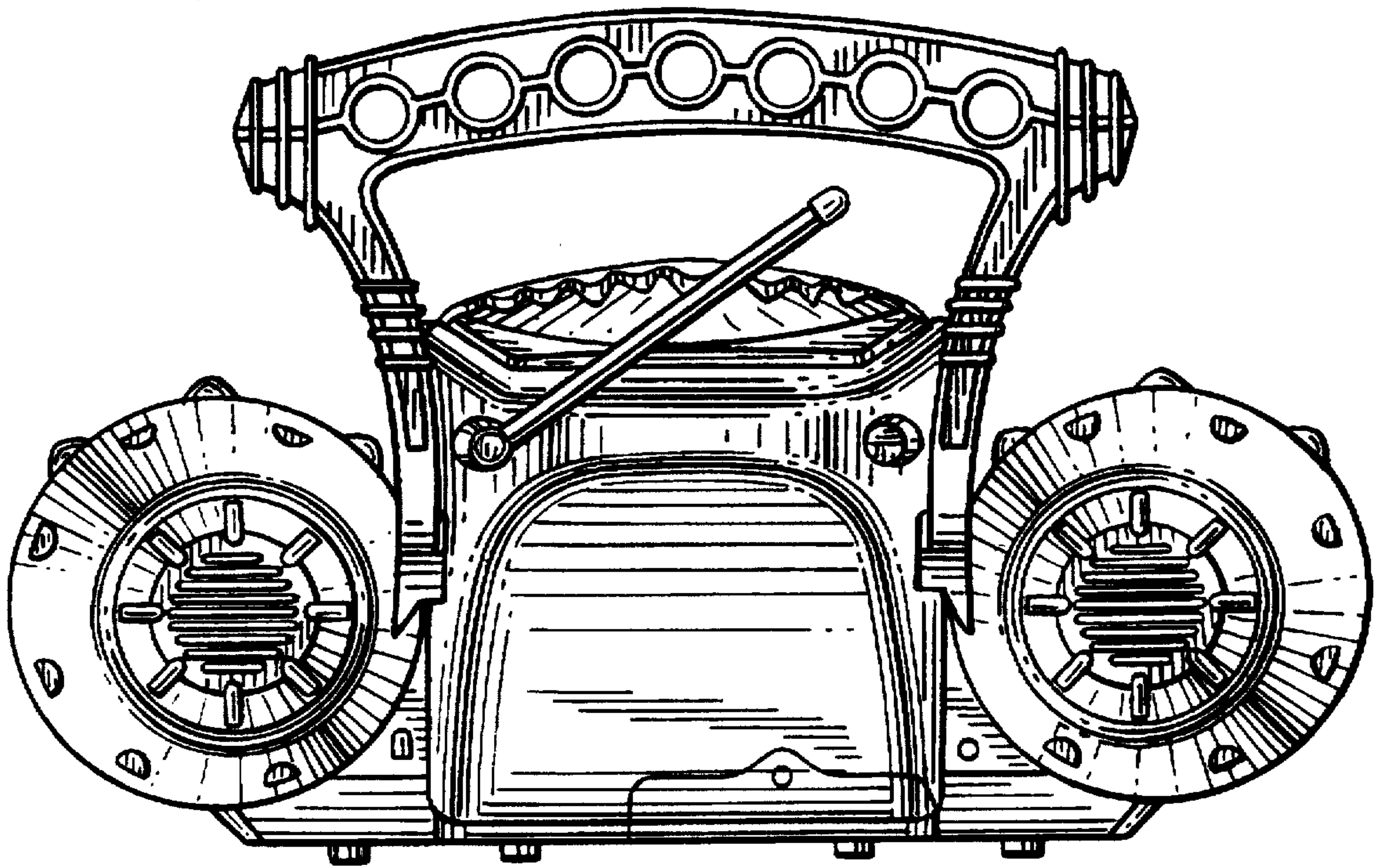




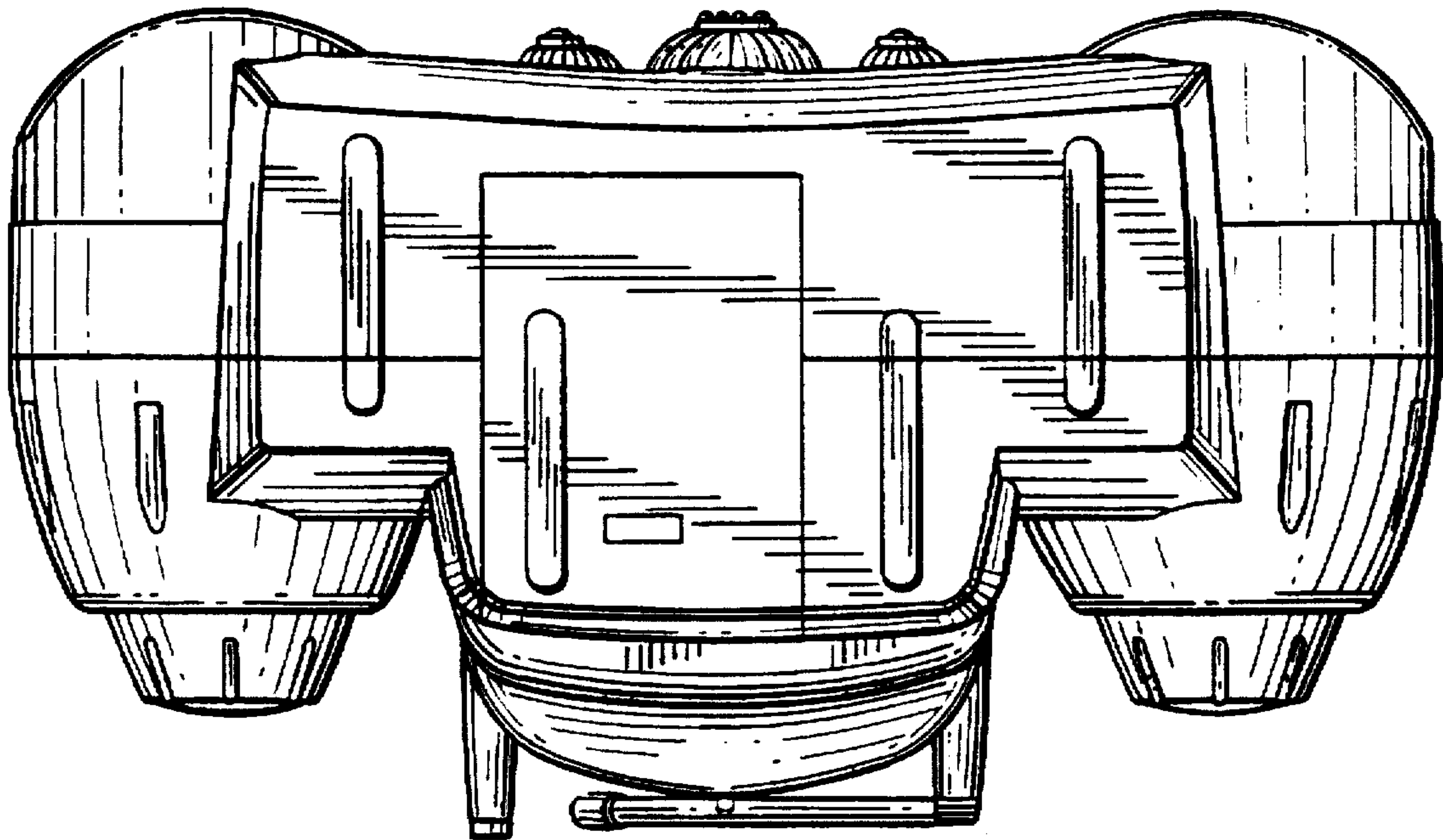
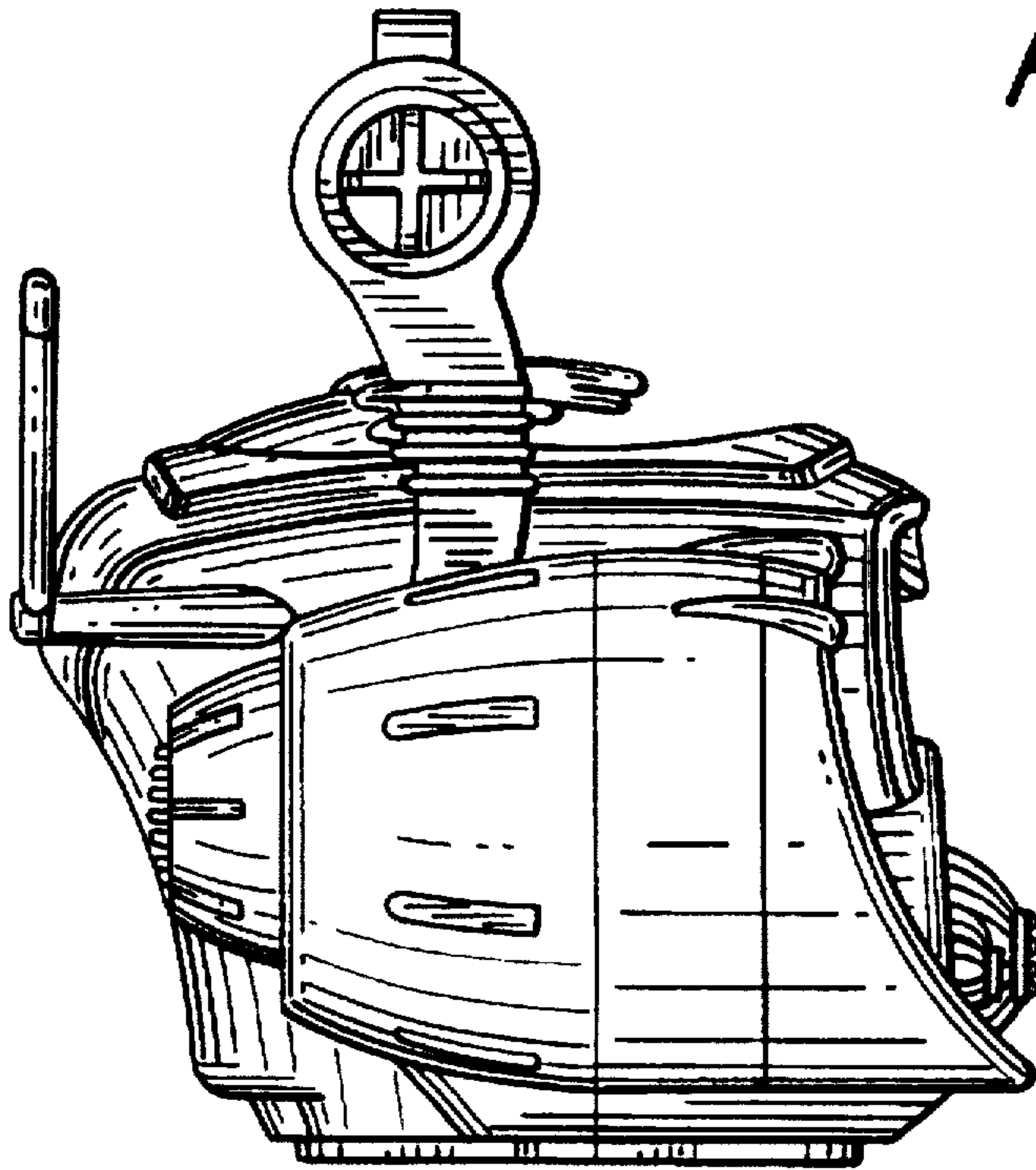
*FIG. 3*



*FIG. 4*



*FIG. 5*



*FIG. 6*