



US00D395041S

United States Patent [19]
Leveridge et al.

[11] **Patent Number: Des. 395,041**
[45] **Date of Patent: **Jun. 9, 1998**

[54] **COMPUTER MONITOR ASSEMBLY**

D. 273,867 5/1984 Sanders et al. D14/113 X
D. 337,103 7/1993 Harper D4/113
D. 340,235 10/1993 Robak et al. D14/113

[75] **Inventors: Philip Leveridge; Robert Garrett,**
both of Austin; **Carrie Bader,**
Georgetown; **Blake West,** Austin;
Larry Barbera, Austin, all of Tex.

Primary Examiner—Freda Nunn
Attorney, Agent, or Firm—Locke, Purnell, Rain, Harrell;
Harry J. Watson

[73] **Assignee: STB Systems, Inc.,** Richardson, Tex.

[**] **Term: 14 Years**

[57] **CLAIM**

The ornamental design for a computer monitor assembly, as shown and described.

[21] **Appl. No.: 72,720**

[22] **Filed: Jun. 23, 1997**

DESCRIPTION

[51] **LOC (6) Cl. 14-02**

[52] **U.S. Cl. D14/113; D14/127**

[58] **Field of Search D14/100, 106,**
D14/113, 124-129; 248/918-924; 345/104,
133, 156, 168, 87, 173, 901-905; 348/180,
184, 325, 379

FIG. 1 is a front isometric view of a computer monitor assembly showing our new design;

FIG. 2 is a back elevation view thereof;

FIG. 3 is a side elevation view thereof, the other side elevation view being a mirror image of this view;

FIG. 4 is a top plan view thereof; and,

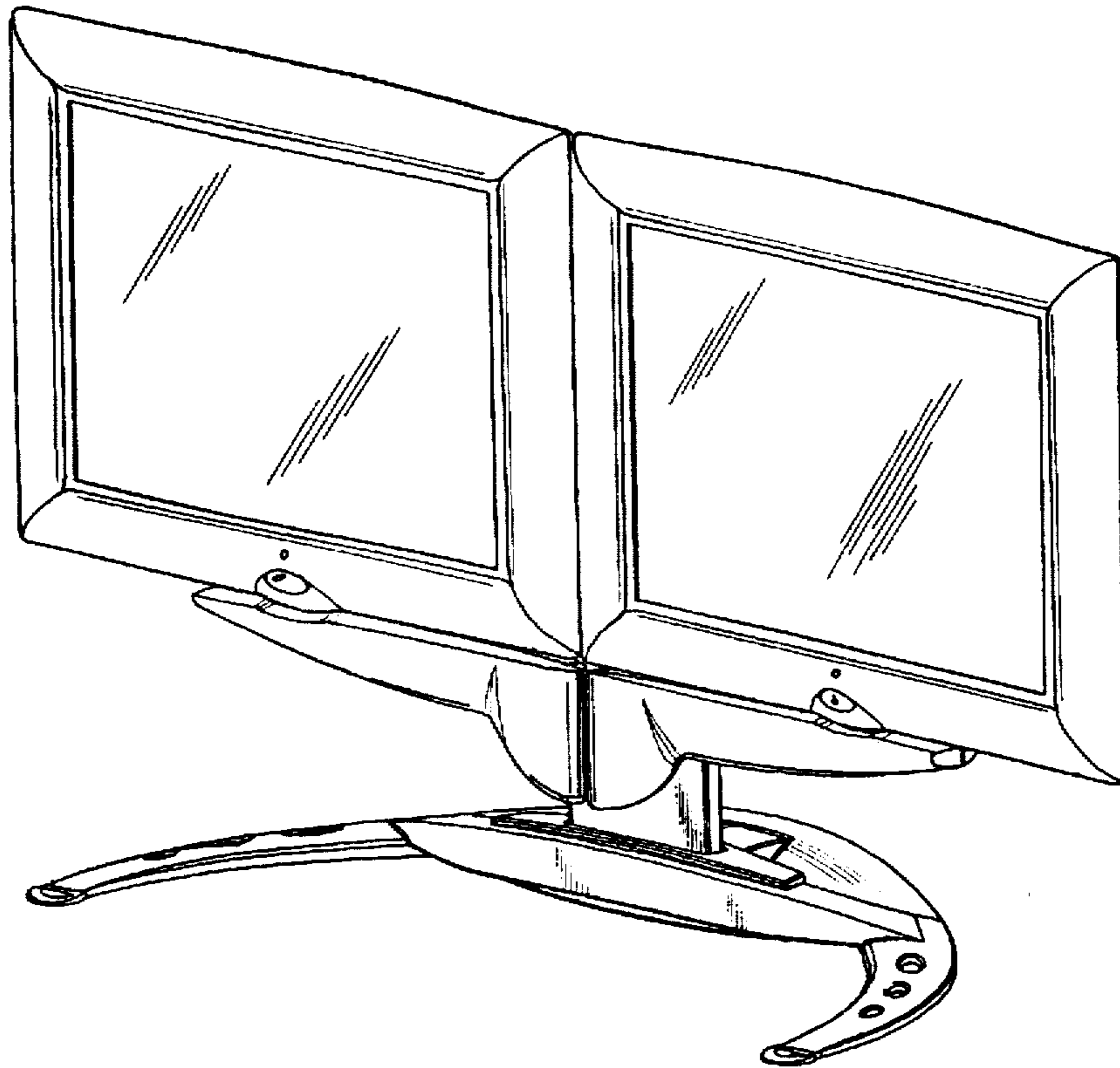
FIG. 5 is a bottom plan view thereof.

[56] **References Cited**

U.S. PATENT DOCUMENTS

D. 247,748 4/1978 Ebner et al. D14/113

1 Claim, 5 Drawing Sheets



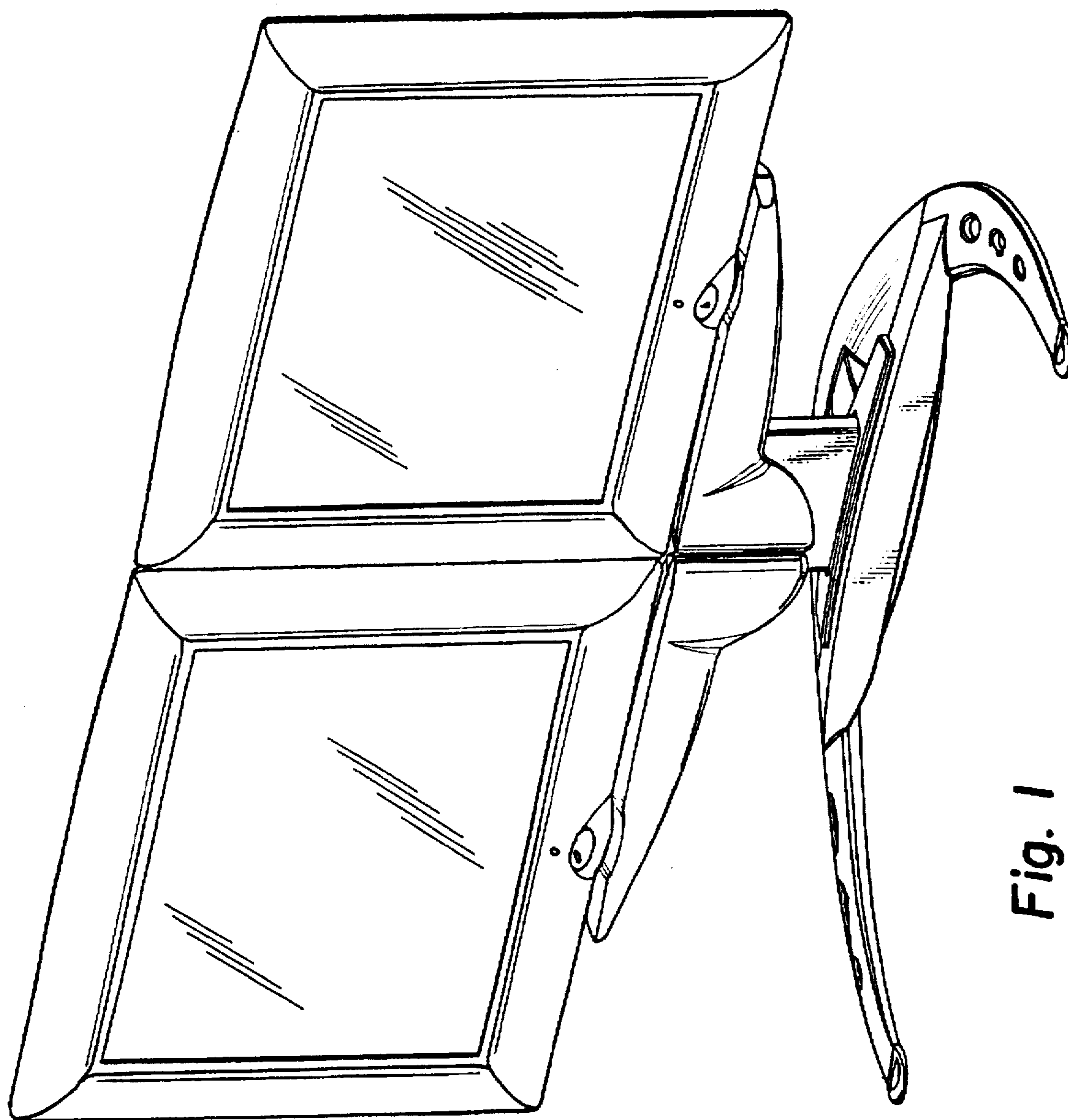


Fig. 1

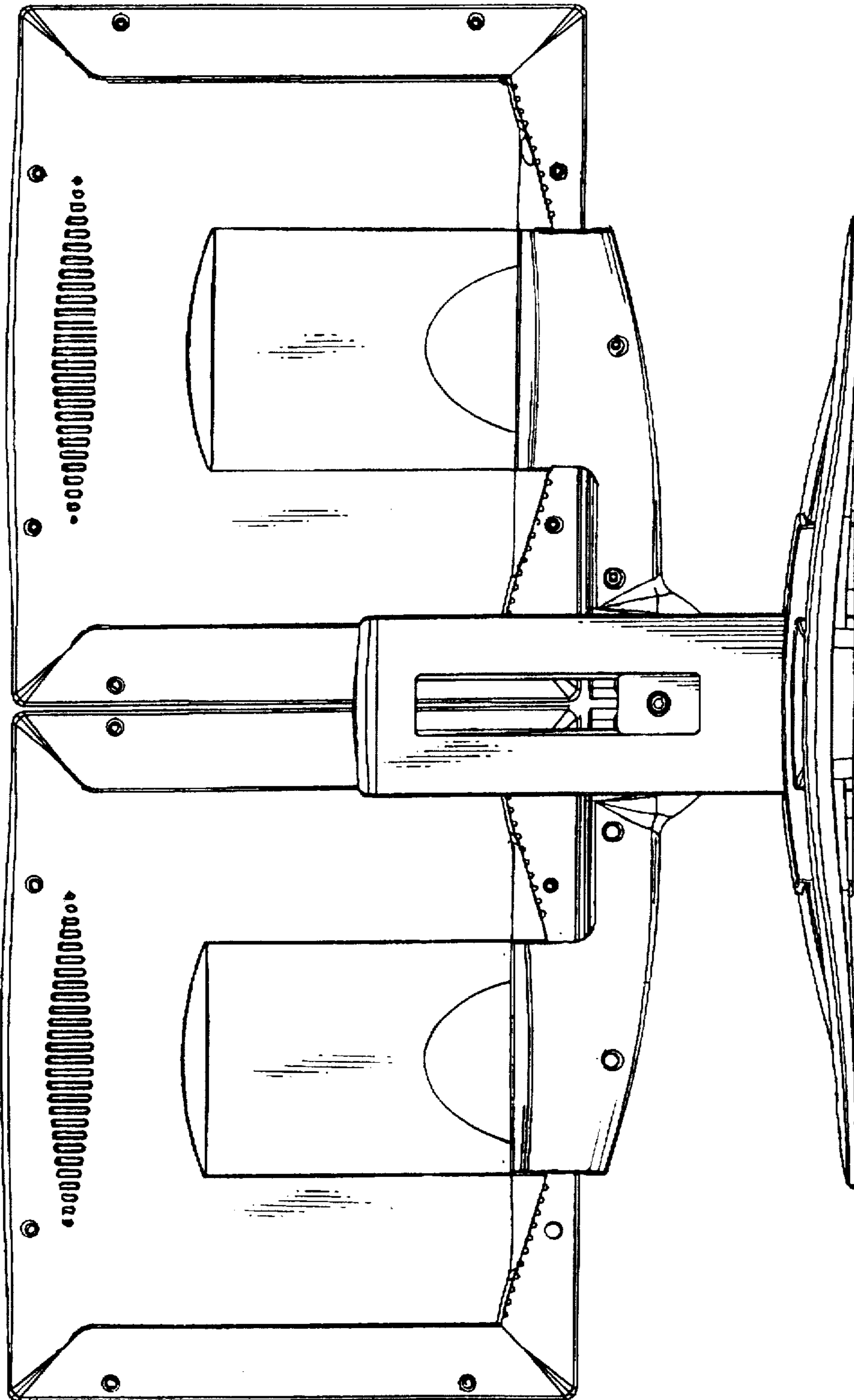


Fig. 2

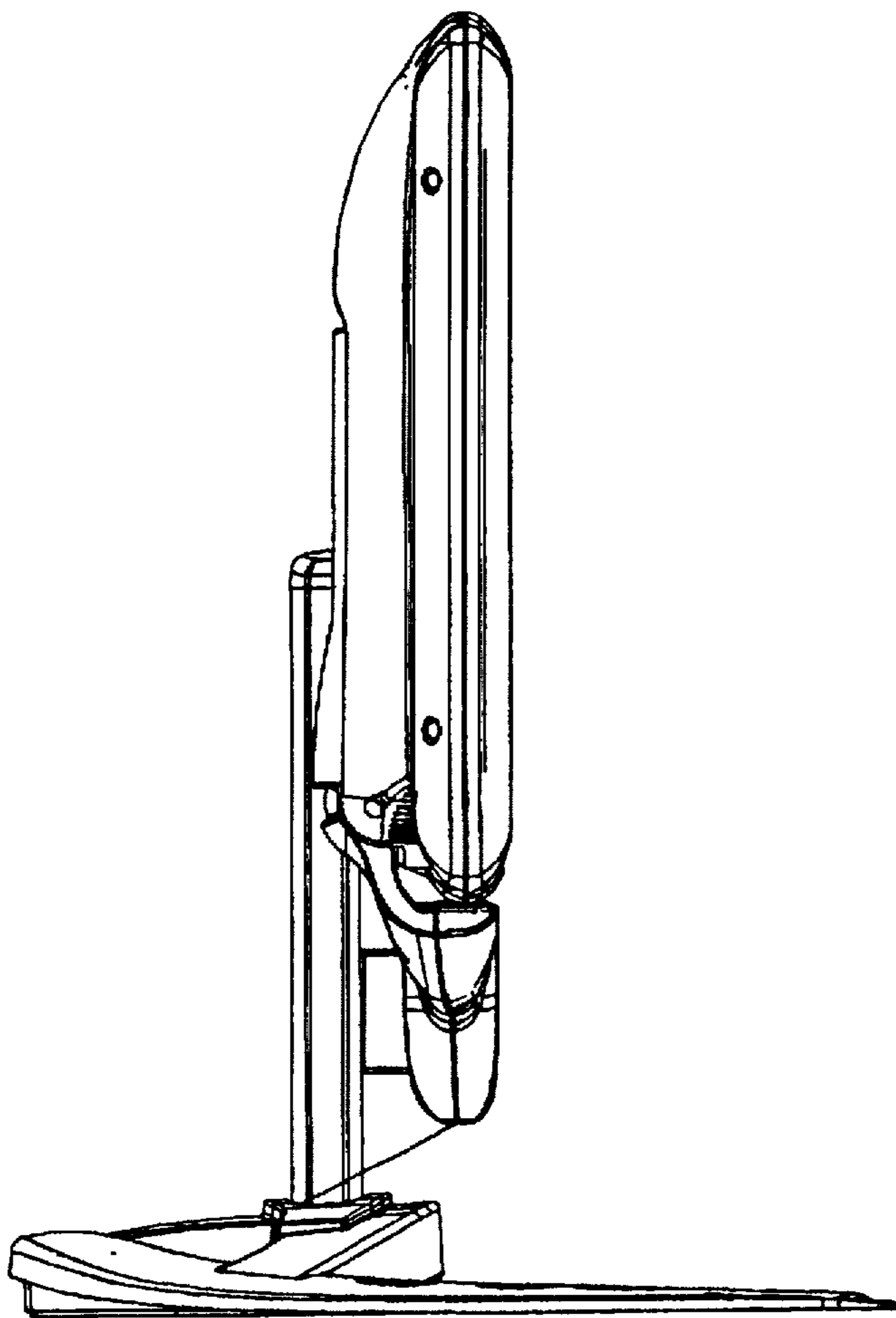


Fig. 3

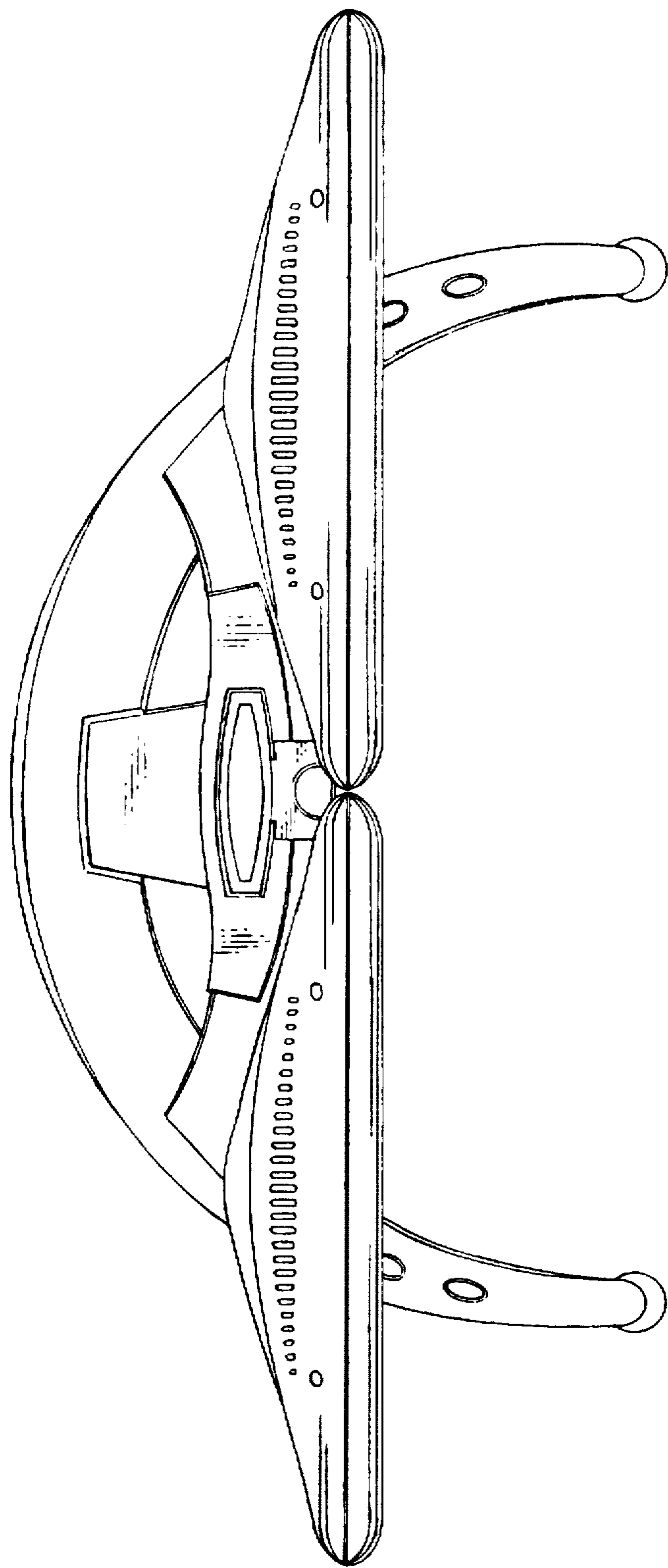


Fig. 4

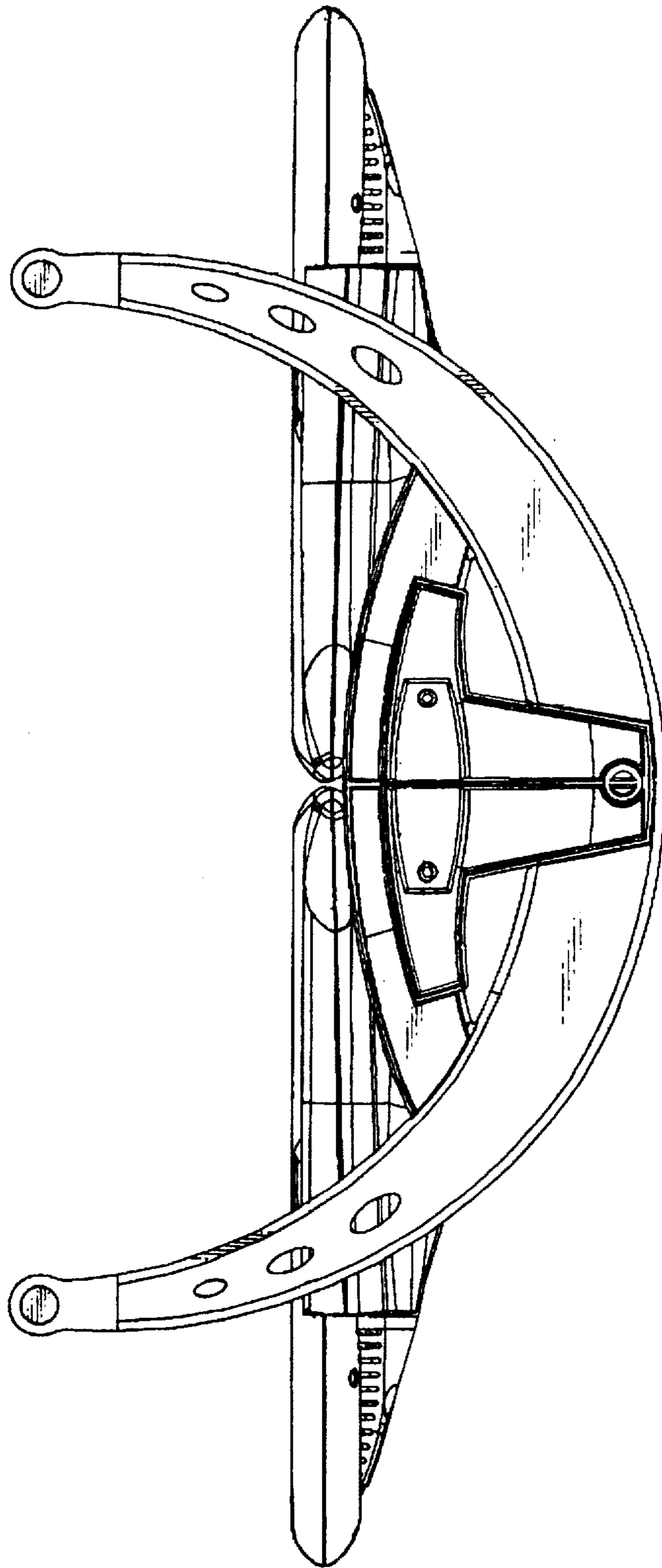


Fig. 5