



US00D395040S

# United States Patent [19]

[11] Patent Number: **Des. 395,040**

Erler et al.

[45] Date of Patent: **\*\*Jun. 9, 1998**

[54] **IMPACT ATTENUATING NOTEBOOK COMPUTER**

[75] Inventors: **William F. Erler; Jonathan L. LaMarche**, both of Spokane; **David H. Stockham**, Deer Park; **Theodore C. Vollmer**, Spokane, all of Wash.

[73] Assignee: **Itronix Corporation**, Spokane, Wash.

[\*\*] Term: **14 Years**

[21] Appl. No.: **41,177**

[22] Filed: **Jul. 7, 1995**

[51] LOC (6) CL ..... **14-02**

[52] U.S. Cl. .... **D14/106**

[58] Field of Search ..... D14/100, 101, D14/106, 113, 115; D18/1, 7; 235/145 A, 145 R; 341/22, 23; 345/104, 156, 168, 173; 361/679-686; 364/708.1; 400/486, 489

[56] **References Cited**

**U.S. PATENT DOCUMENTS**

D. 349,694 8/1994 Takimoto ..... D14/106

*Primary Examiner*—Freda Nunn

*Attorney, Agent, or Firm*—Wells, St. John, Roberts, Gregory & Matkin, P.S.

[57] **CLAIM**

The ornamental design for the impact attenuating notebook computer, as shown and described.

**DESCRIPTION**

FIG. 1 is an isometric view of an impact attenuating notebook computer showing our new design with the screen folded down in a closed configuration in relation to the keyboard;

FIG. 2 is a top plan view of the notebook computer of FIG. 1 showing the screen folded down in a closed configuration in relation to the keyboard;

FIG. 3 is a front elevational view of the notebook computer as depicted in FIG. 2;

FIG. 4 is a side elevational view of the notebook computer as depicted in FIG. 2;

FIG. 5 is a side elevational view of the notebook computer opposite to that depicted in FIG. 4;

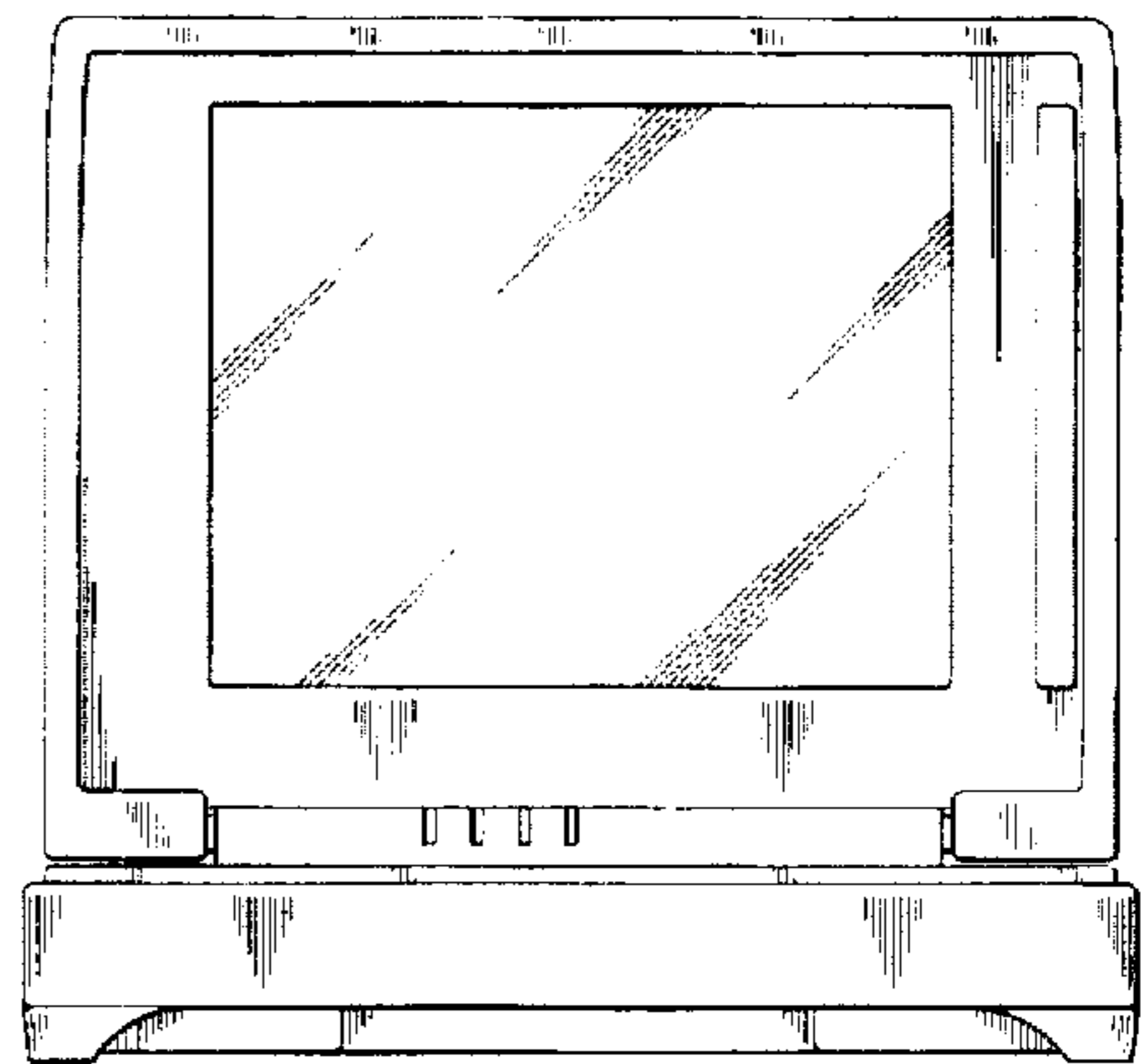
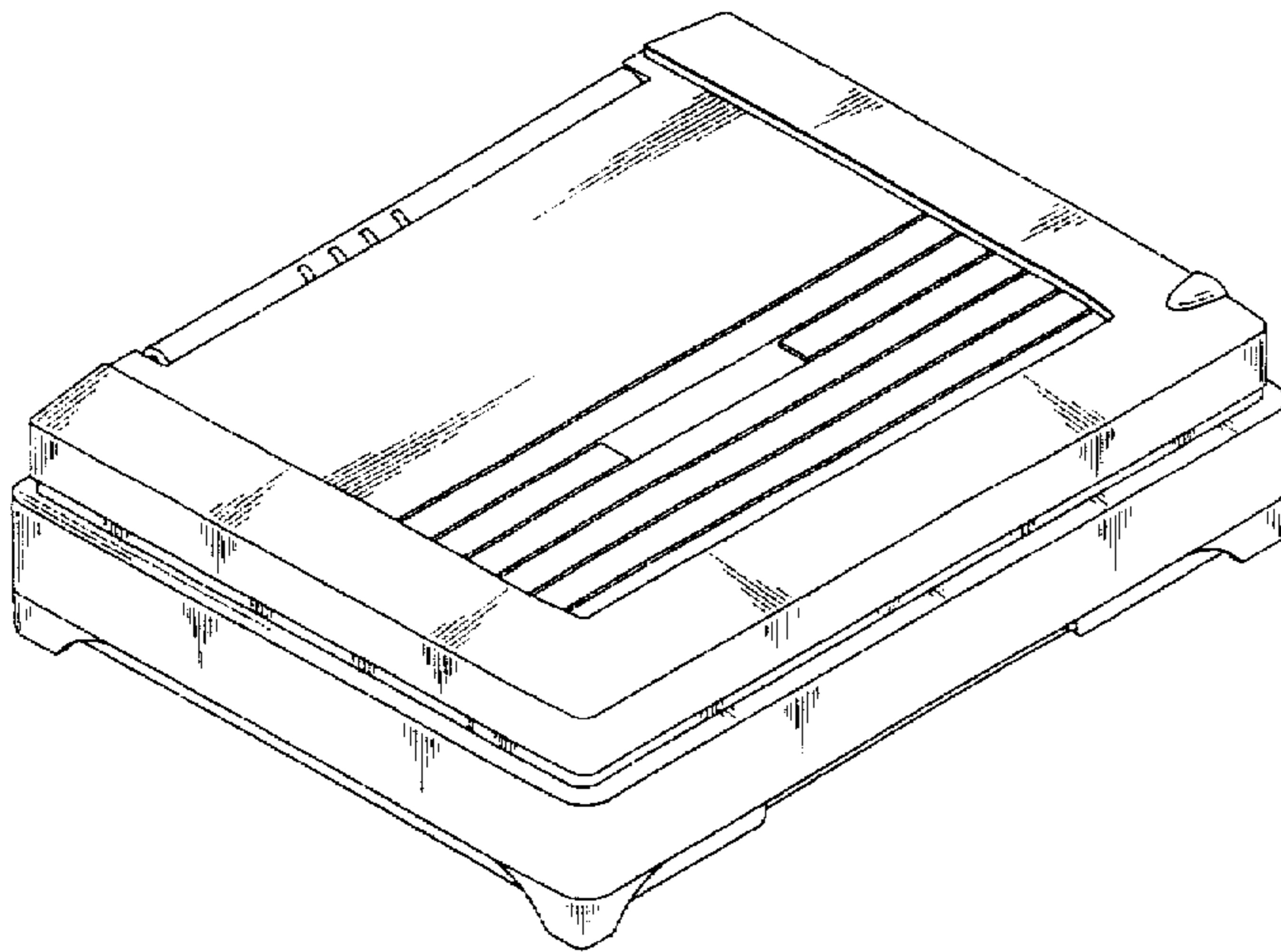
FIG. 6 is a rear elevational view of the notebook computer as depicted in FIG. 2;

FIG. 7 is a top plan view of the notebook computer of FIGS. 1-6 showing the screen opened in relation to the keyboard;

FIG. 8 is a front elevational view of the notebook computer as depicted in FIG. 7; and,

FIG. 9 is a bottom plan view of the notebook computer of FIGS. 1-8.

**1 Claim, 6 Drawing Sheets**



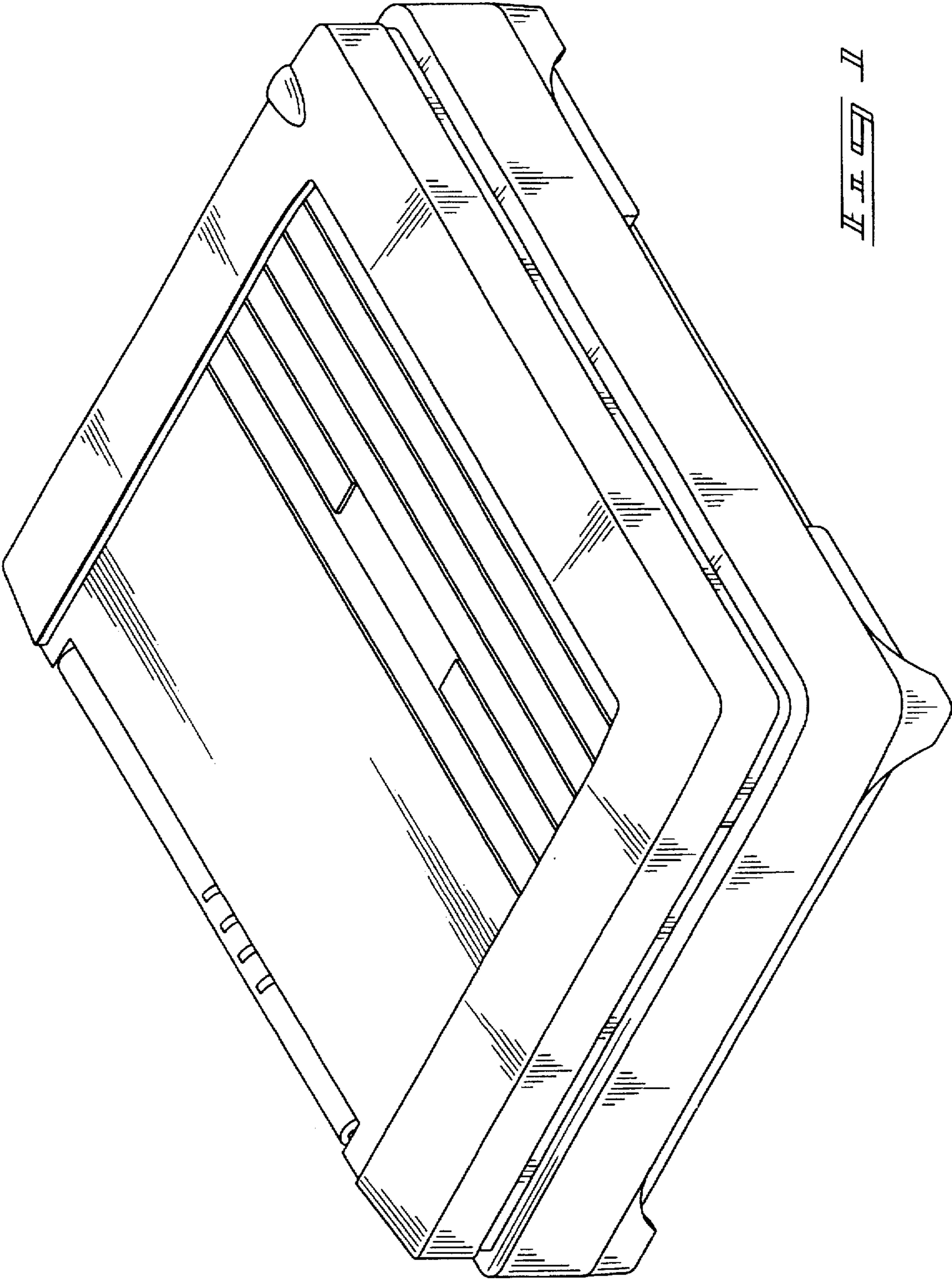
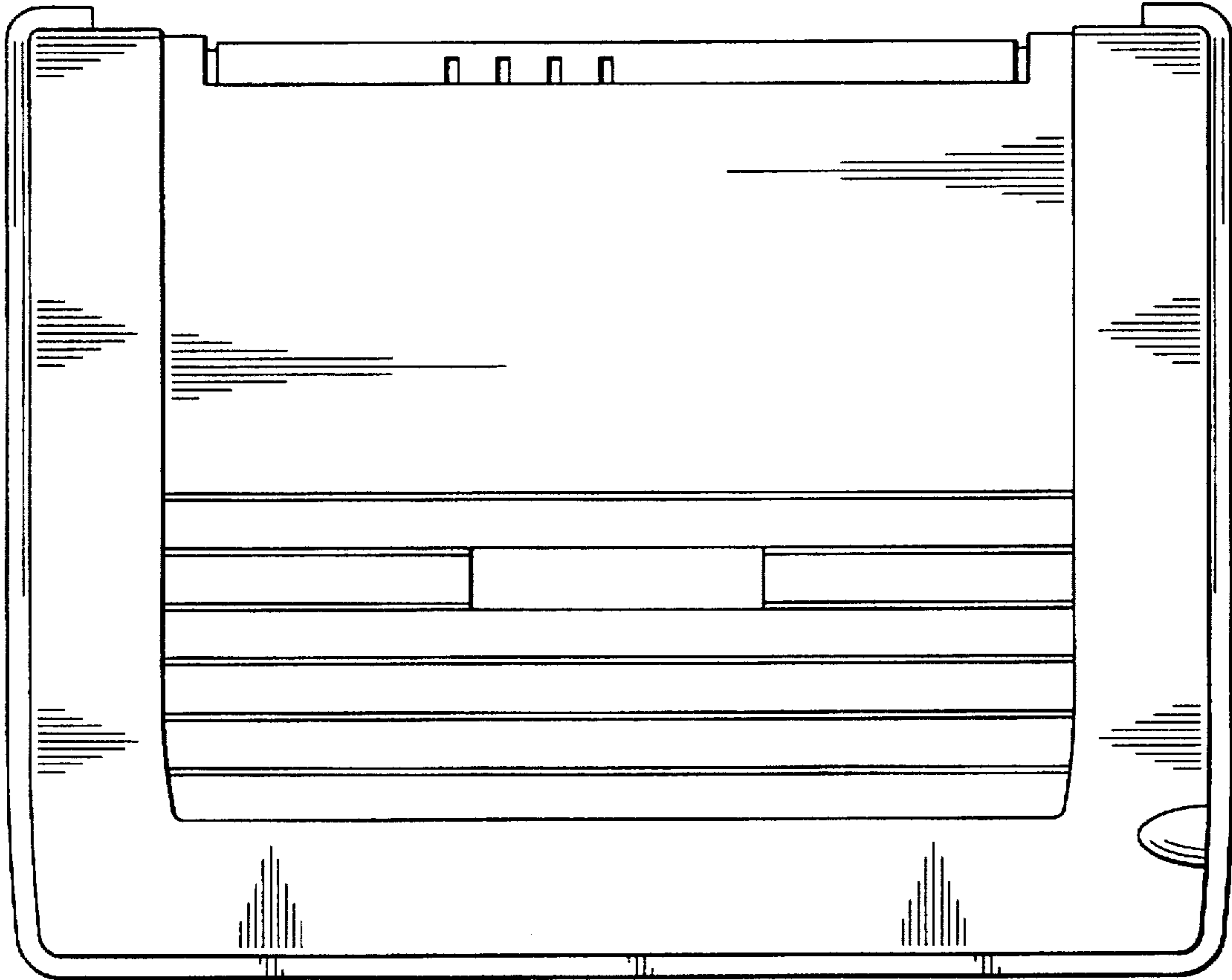
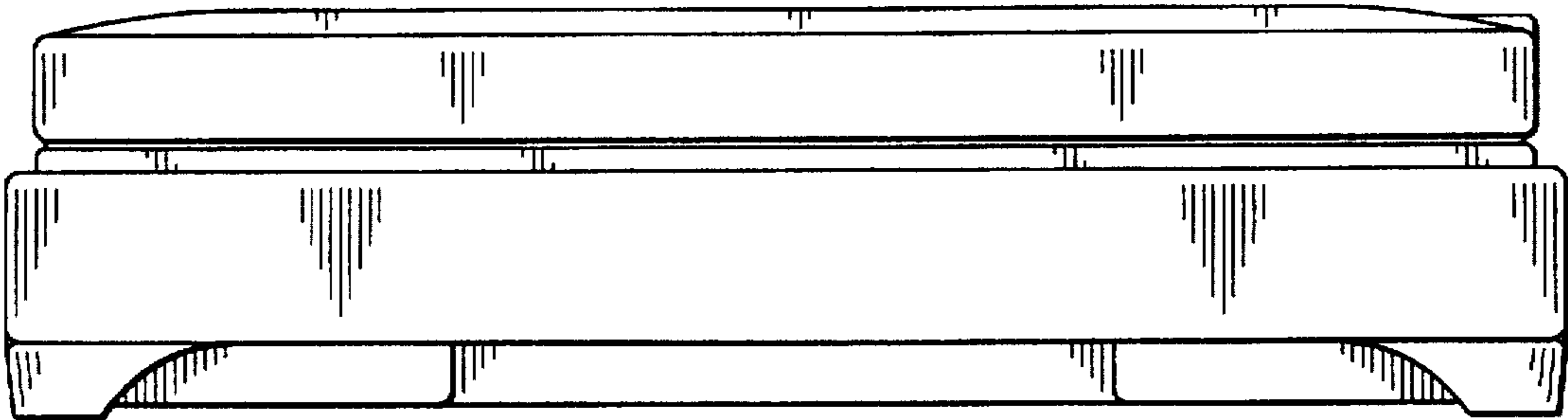


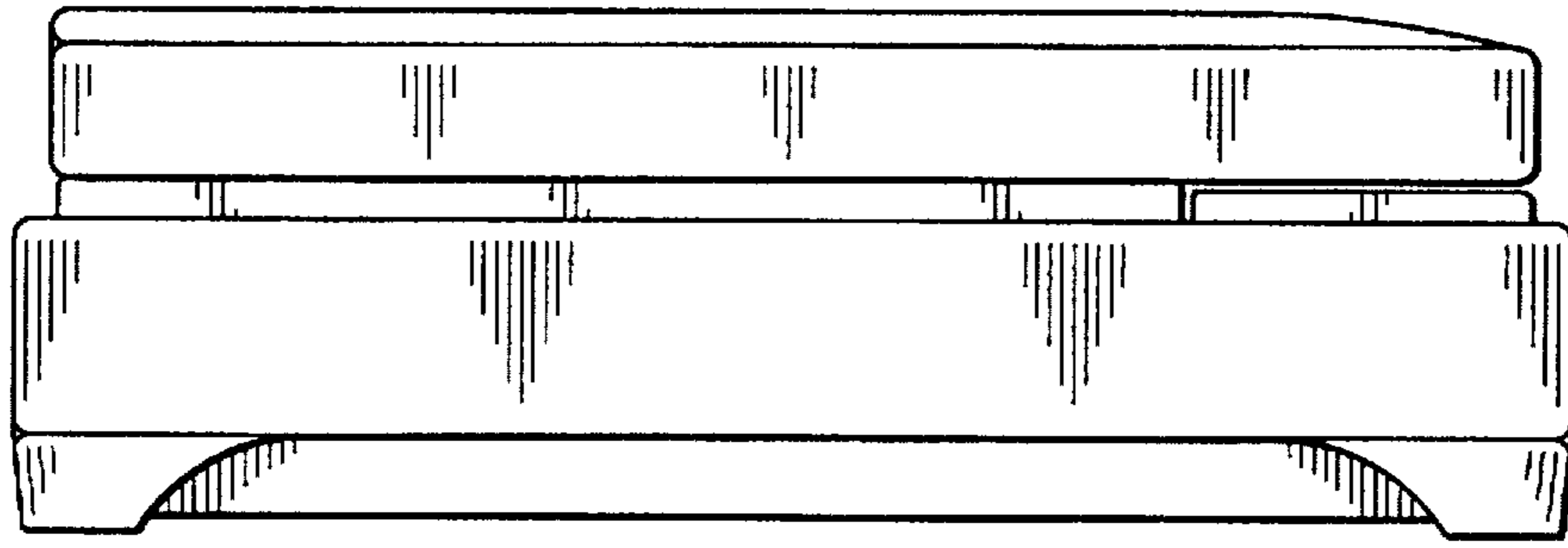
FIG. 1



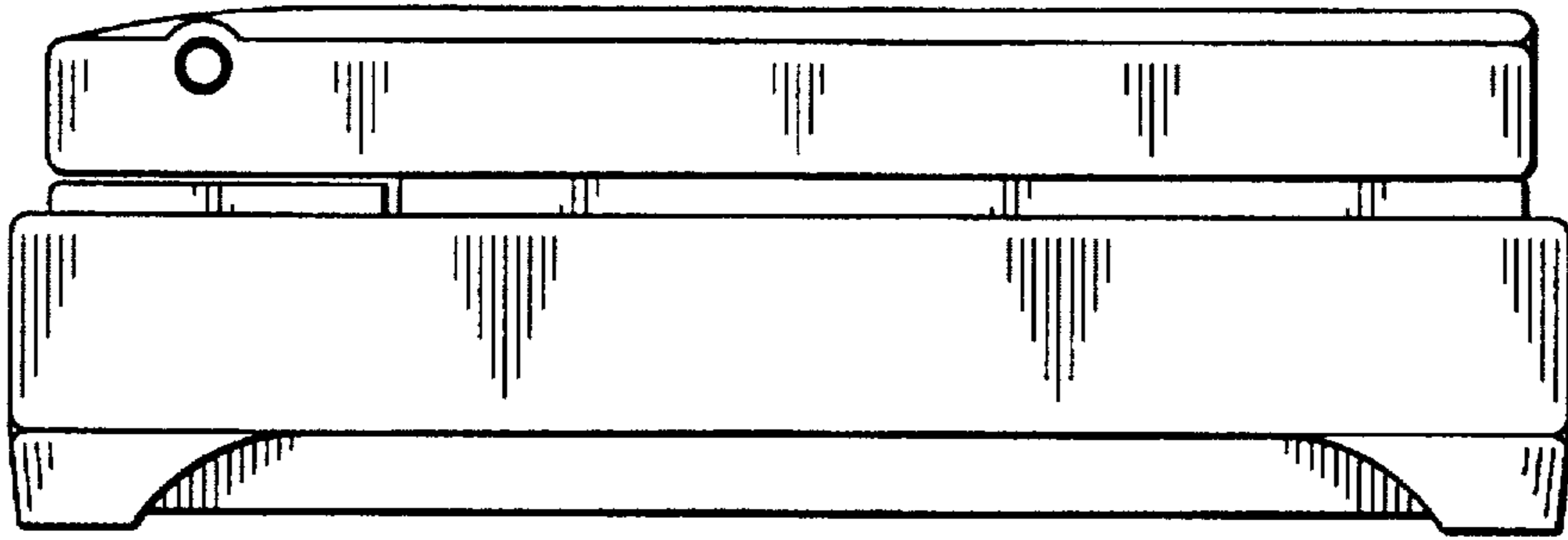
*Fig. 2*



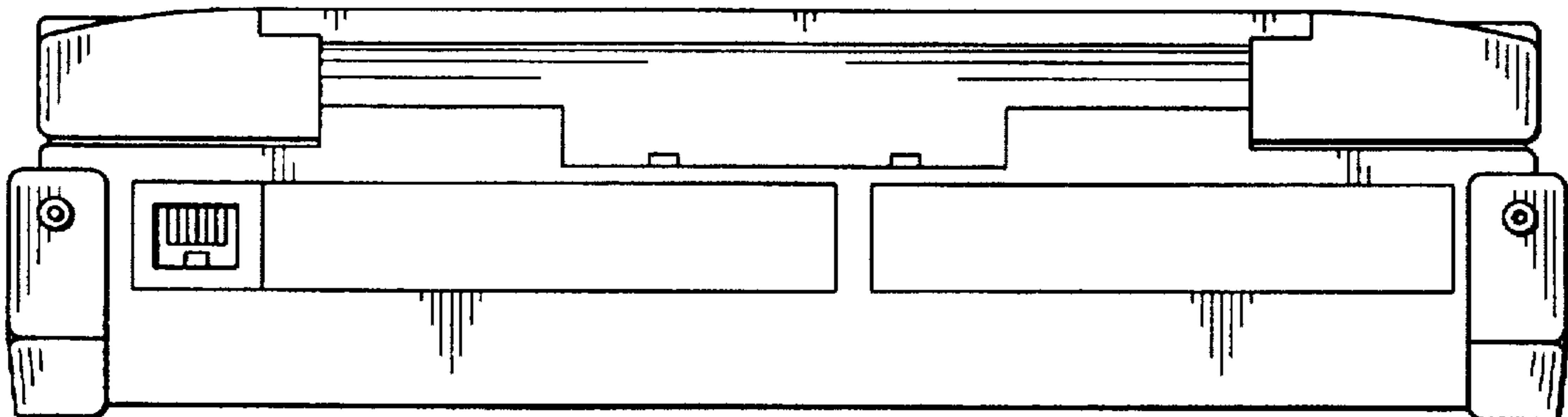
*Fig. 3*



*Fig. 4*



*Fig. 5*



*Fig. 6*



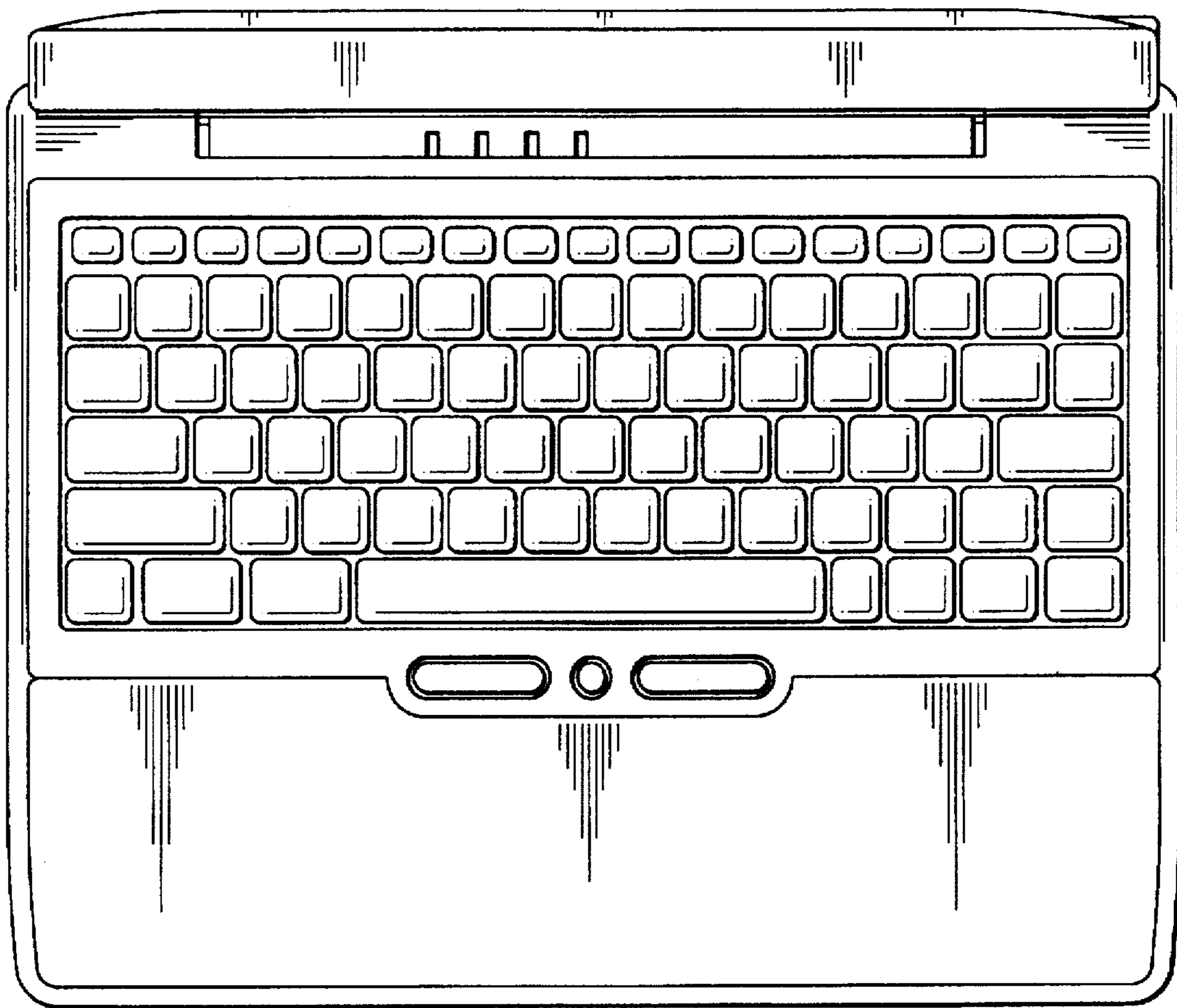
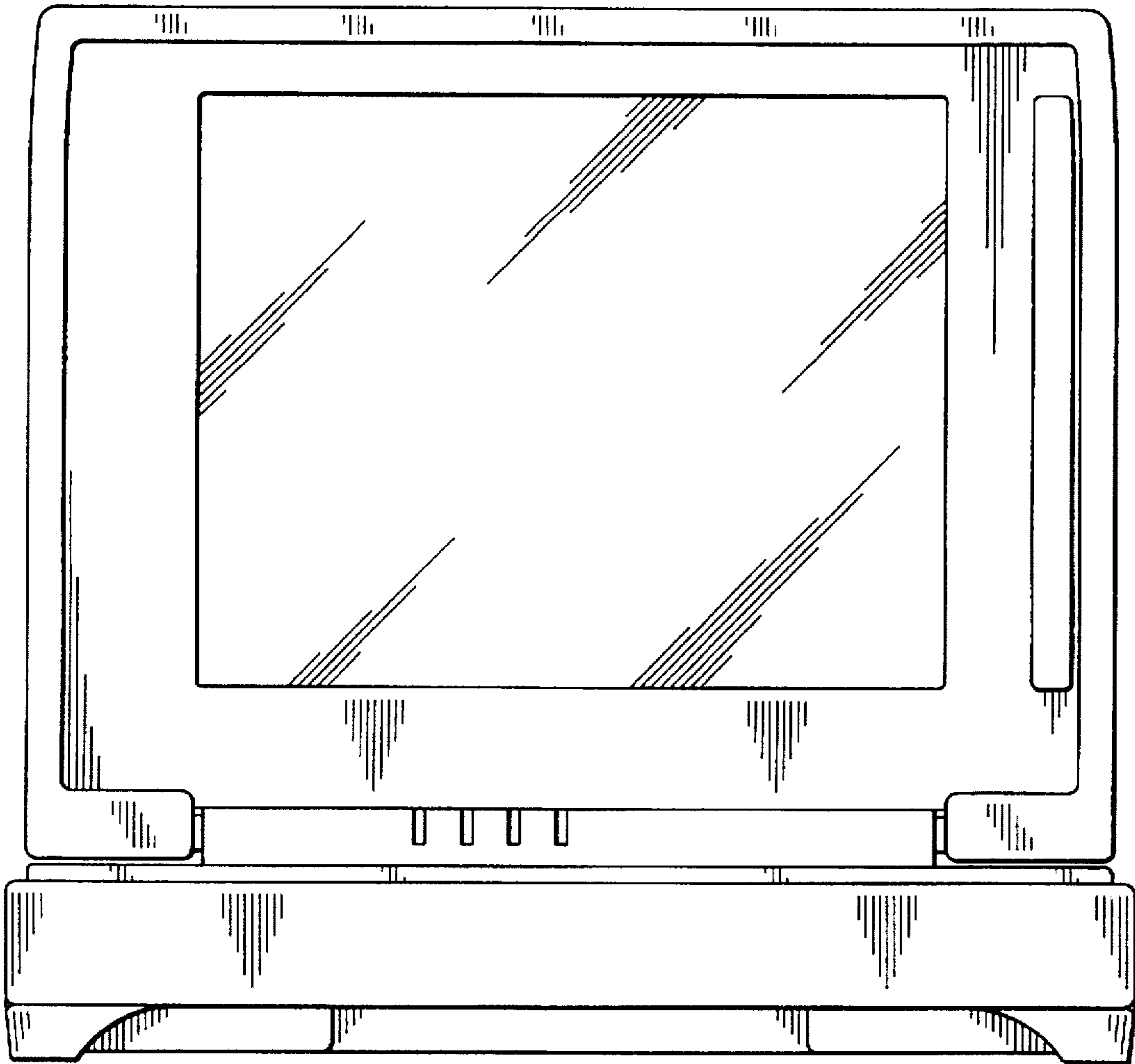


Fig. 4



*Fig. 5*

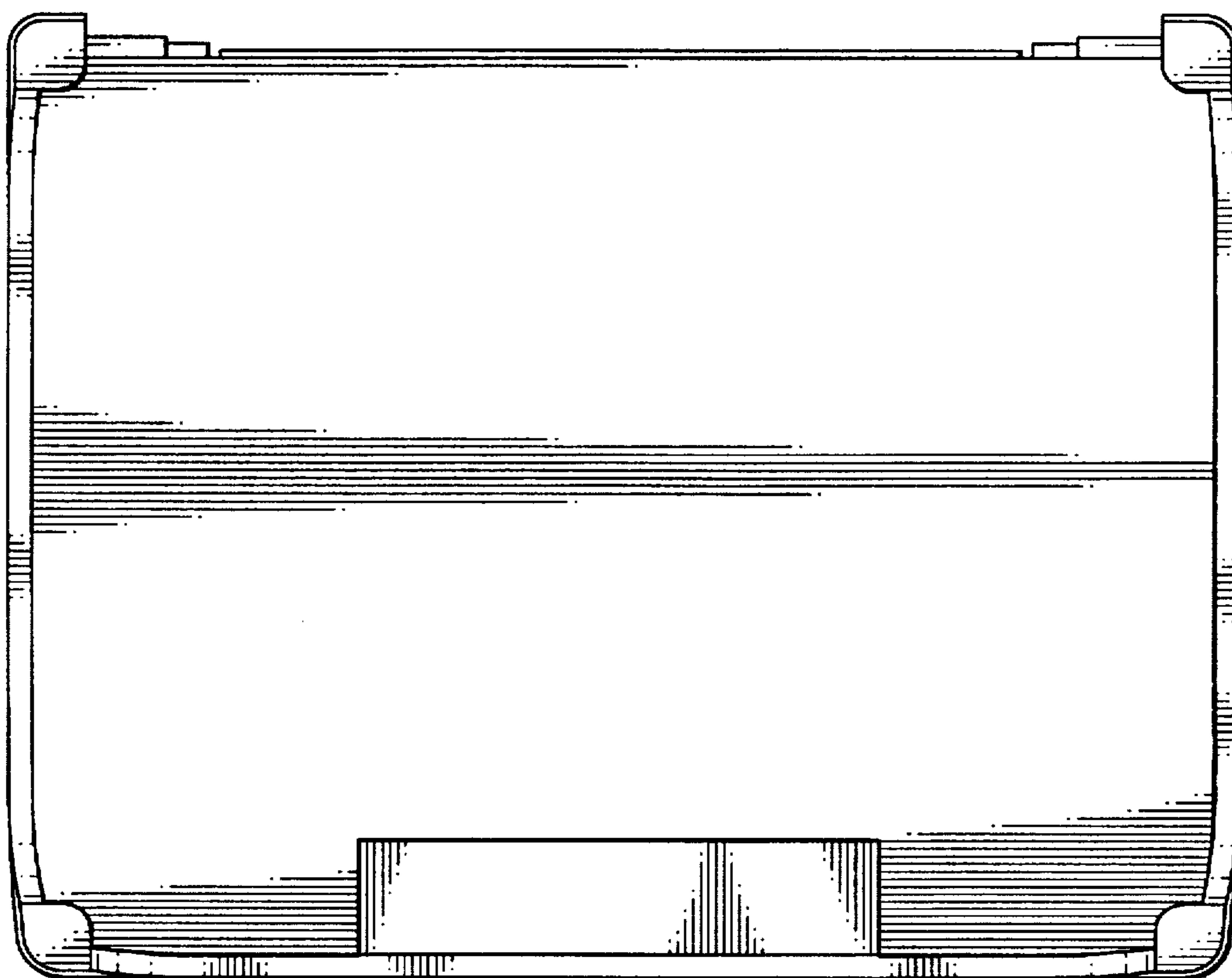


FIG. 9