



US00D395039S

United States Patent [19]

Murphy et al.

[11] Patent Number: Des. 395,039

[45] Date of Patent: **Jun. 9, 1998

[54] ENCLOSURE FOR A COMPUTER

[75] Inventors: **Tim Kerry Murphy; Roland Zapfe,**
both of Rochester, Minn.

[73] Assignee: **International Business Machines Corporation,** Armonk, N.Y.

[**] Term: **14 Years**

[21] Appl. No.: **68,198**

[22] Filed: **Mar. 18, 1997**

[51] LOC (6) Cl. **14-02**

[52] U.S. Cl. **D14/100**

[58] Field of Search D14/100, 101,
D14/106, 113, 115, 124-127; 345/104,
156, 168, 173, 901-905; 361/680-686;
364/708.1, 709.04, 709.12

[56] **References Cited**

U.S. PATENT DOCUMENTS

D. 355,170	2/1995	Mizusugi et al.	D14/100
D. 360,196	7/1995	Cox et al.	D14/105
D. 373,576	9/1996	Liggett	D14/100
4,927,986	5/1990	Daly	D14/113 X

Primary Examiner—Freda Nunn
Attorney, Agent, or Firm—Matthew J. Bussan

[57] **CLAIM**

The ornamental design for an enclosure for a computer, as shown and described.

DESCRIPTION

FIG. 1 is a top, front, right side isometric view of an

enclosure for a computer showing our new design with a screen panel thereof in a closed position;

FIG. 2 is a top, front, right side isometric view thereof wherein the screen panel is in an angled position;

FIG. 3 is a top plan view thereof wherein the screen panel is in the closed position;

FIG. 4 is a front elevational view thereof wherein the screen panel is in the closed position;

FIG. 5 is a front elevational view thereof wherein the screen panel is in the angled position;

FIG. 6 is a right side elevational view thereof wherein the screen panel is in the closed position;

FIG. 7 is a right side elevational view thereof wherein the screen panel is in the angled position;

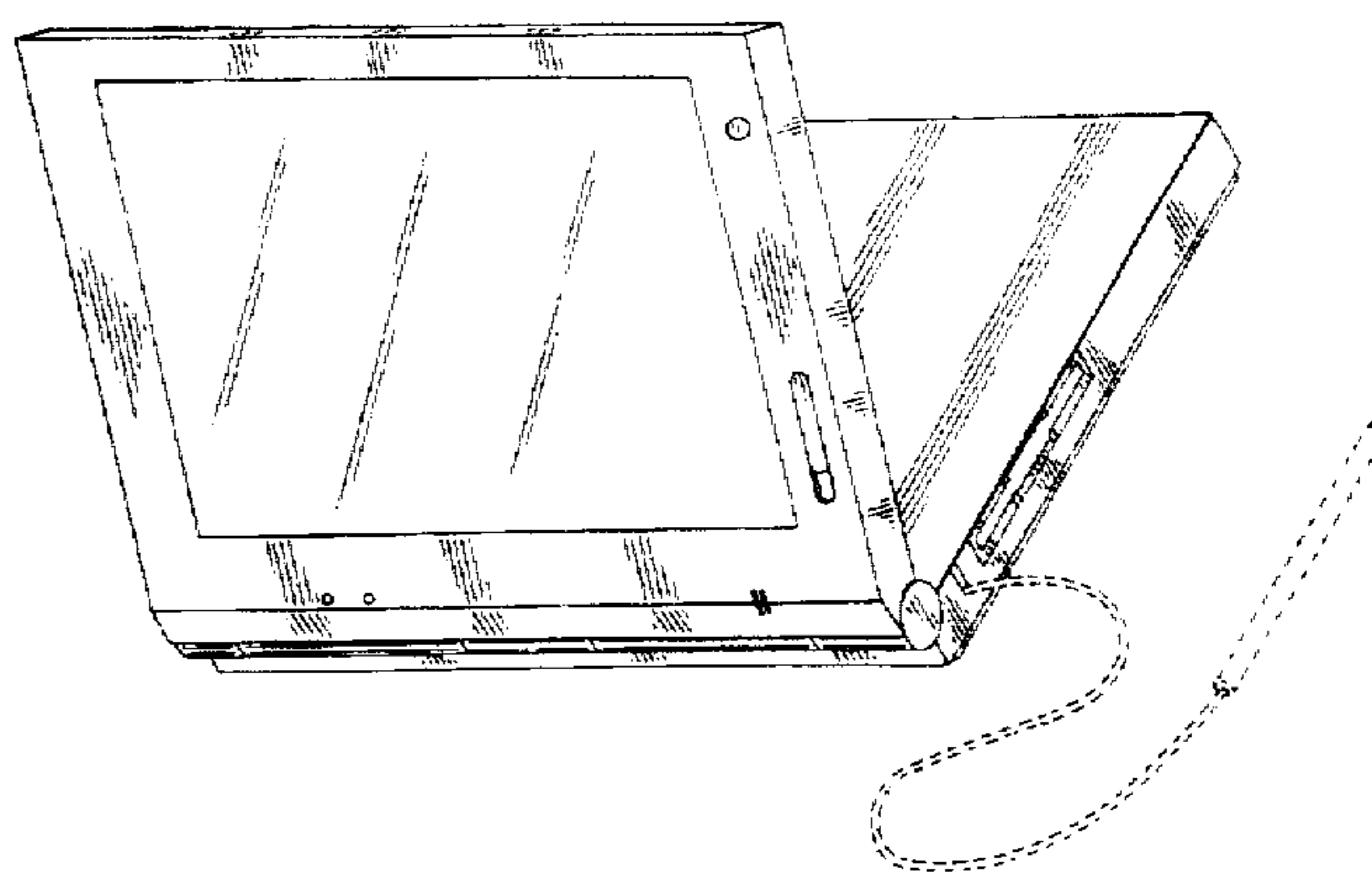
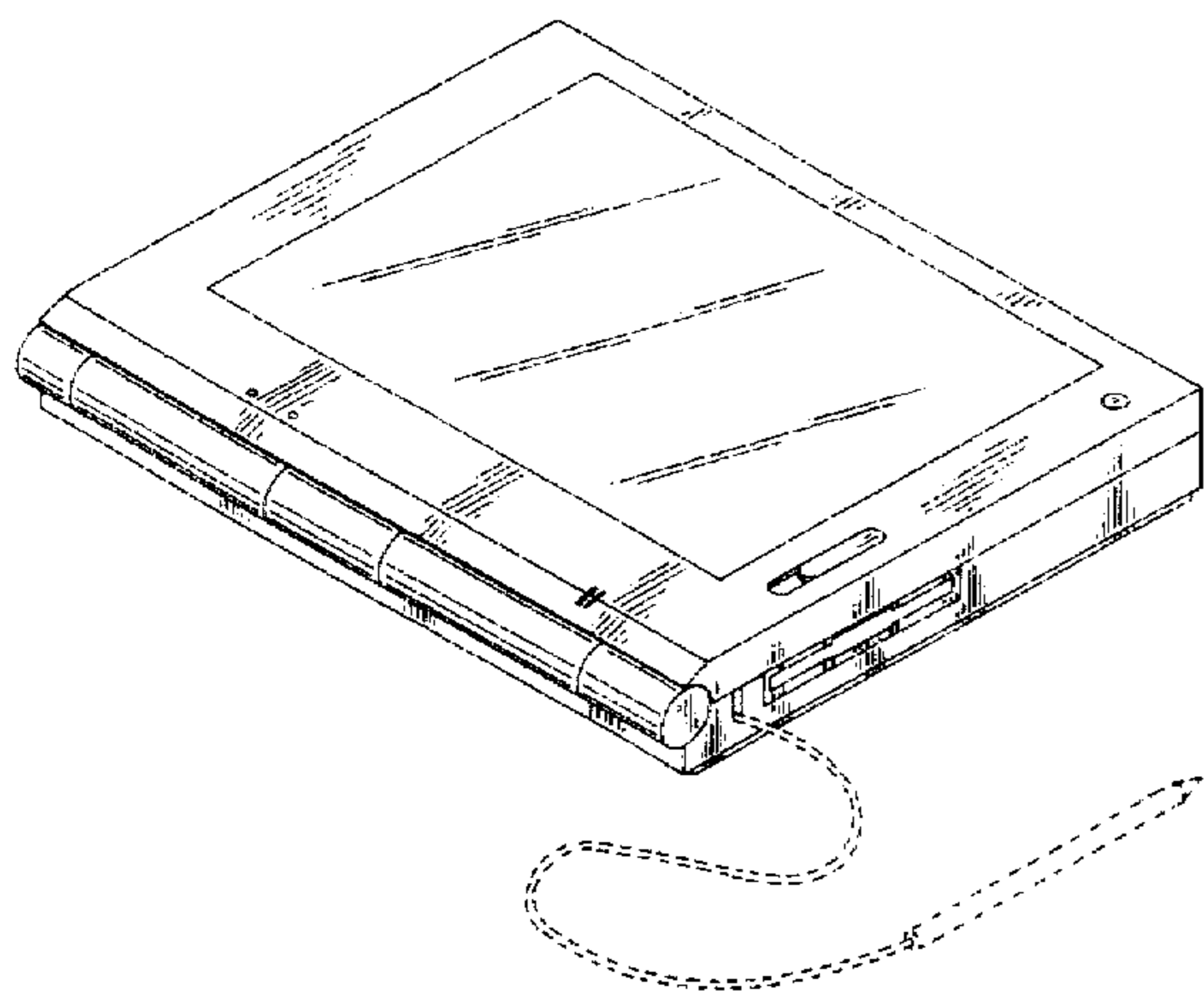
FIG. 8 is a left side elevational view thereof wherein the screen panel is in the closed position;

FIG. 9 is a left side elevational view thereof wherein the screen panel is in the angled position; and,

FIG. 10 is a rear elevational view thereof wherein the screen panel is in the closed position.

The bottom of the enclosure for a computer is unornamented. The rear of the screen panel and the surface under the screen panel are flat and unornamented. A touch-pen for interfacing with the touch-sensitive display screen is shown in broken lines for illustrative purposes only and forms no part of the claimed design.

1 Claim, 10 Drawing Sheets



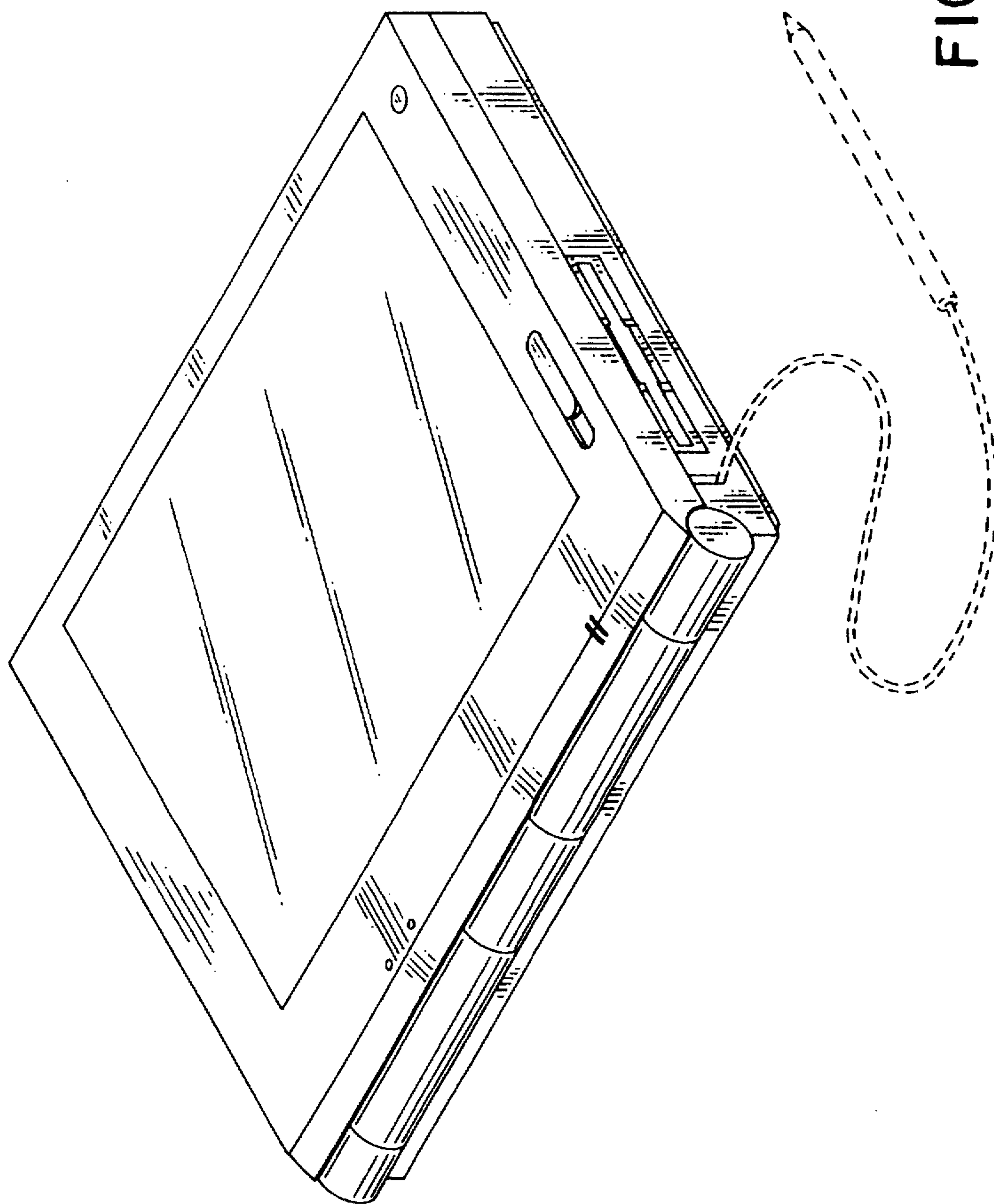


FIG. 1

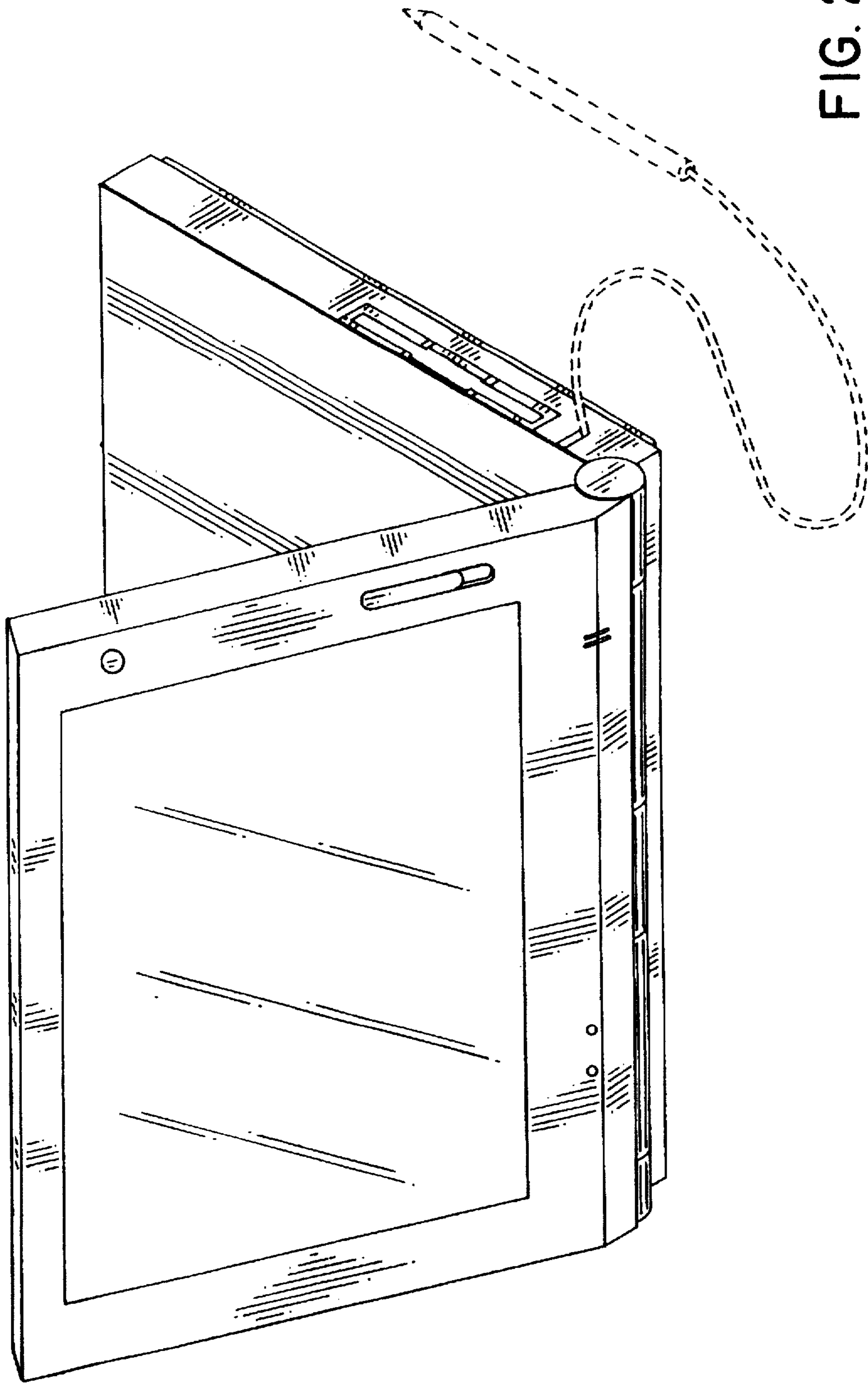


FIG. 2

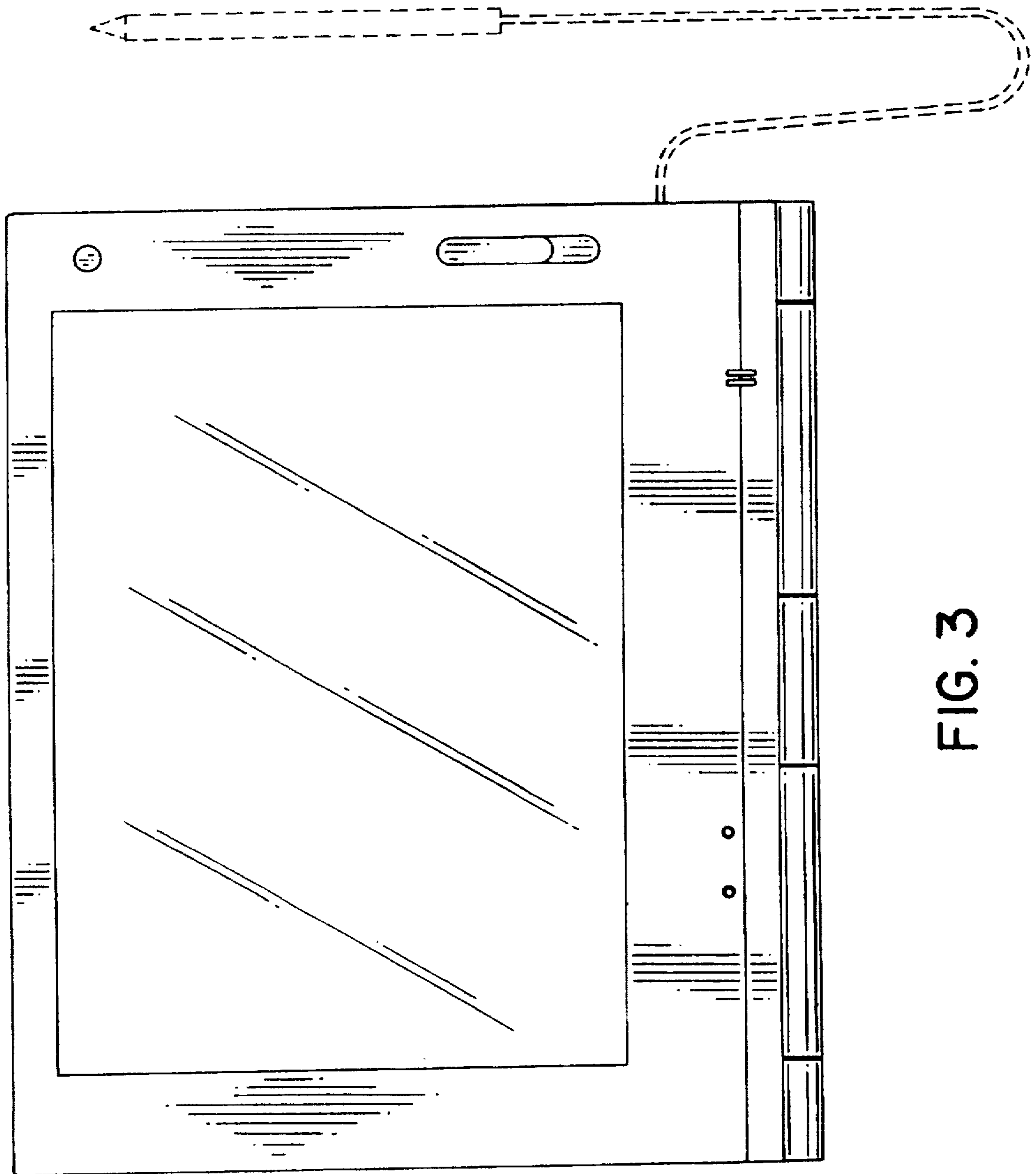


FIG. 3

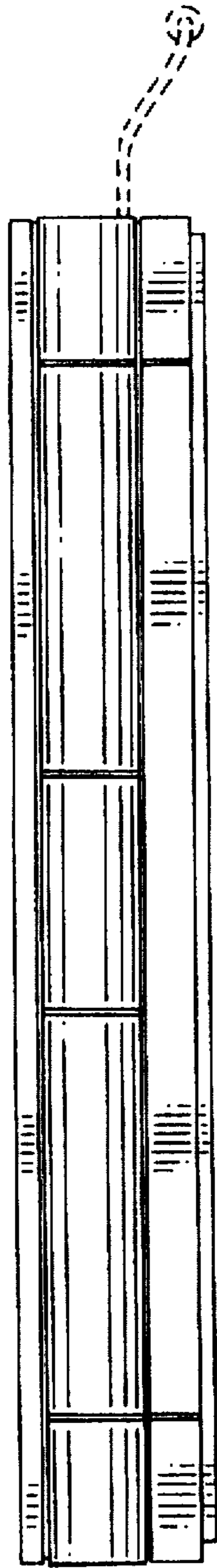


FIG. 4

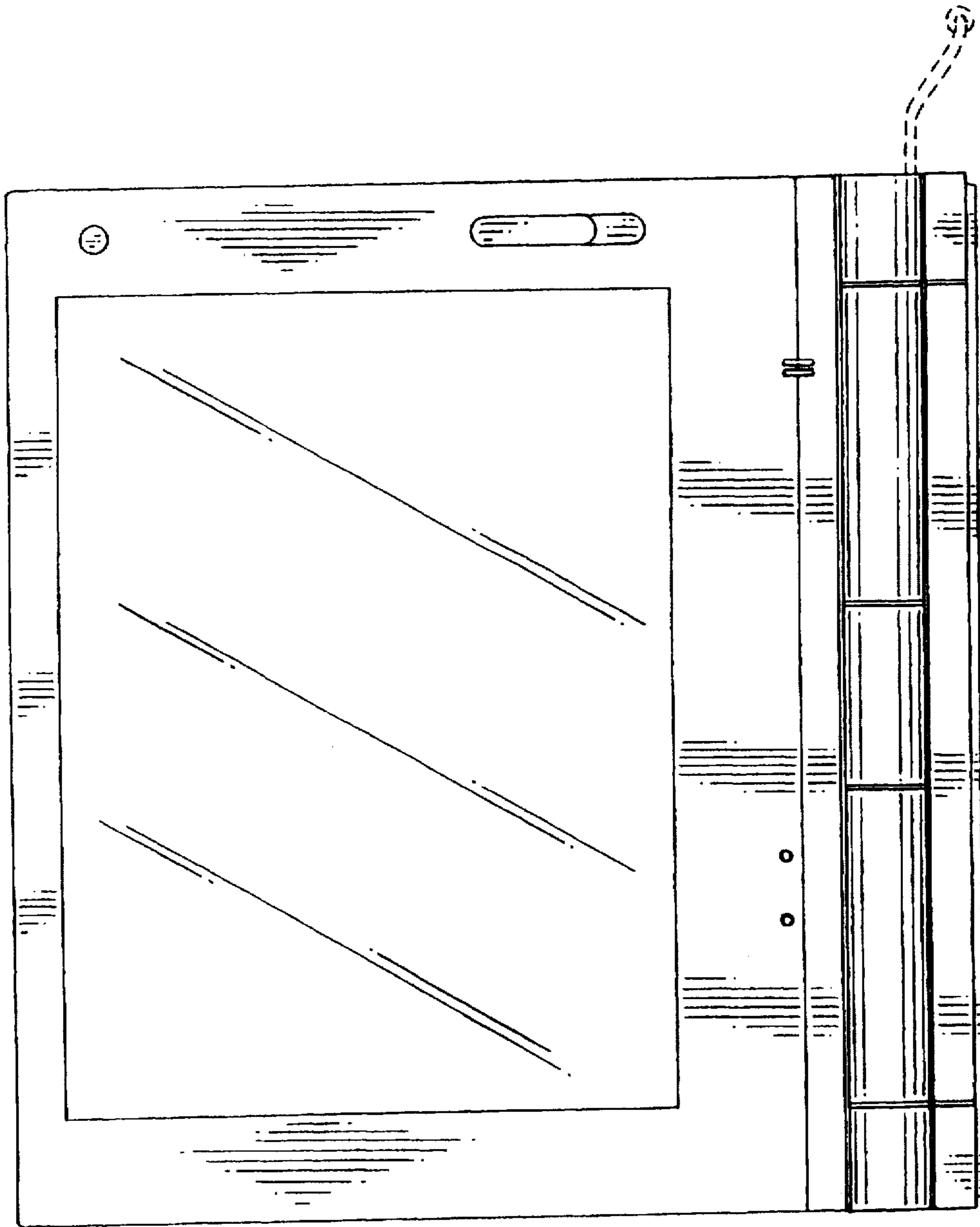


FIG. 5

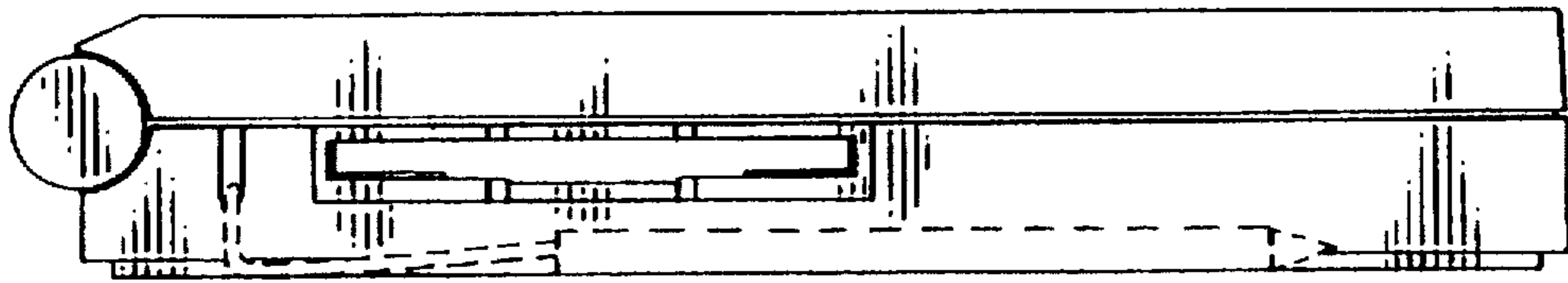


FIG. 6

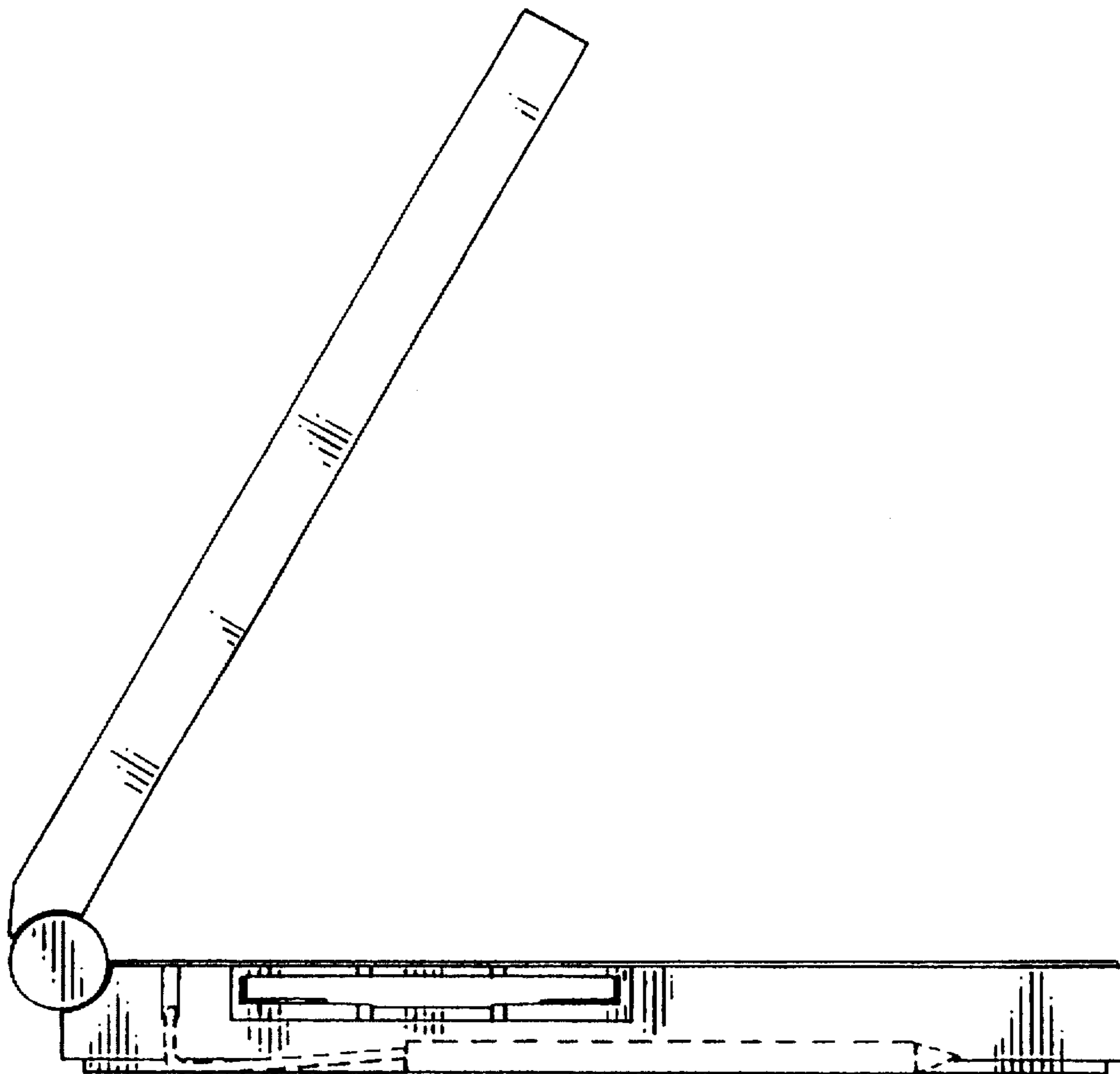


FIG. 7

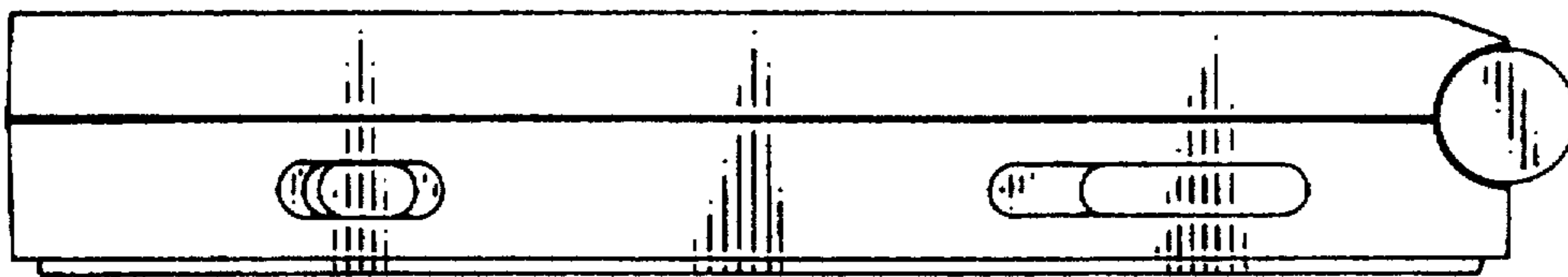


FIG. 8

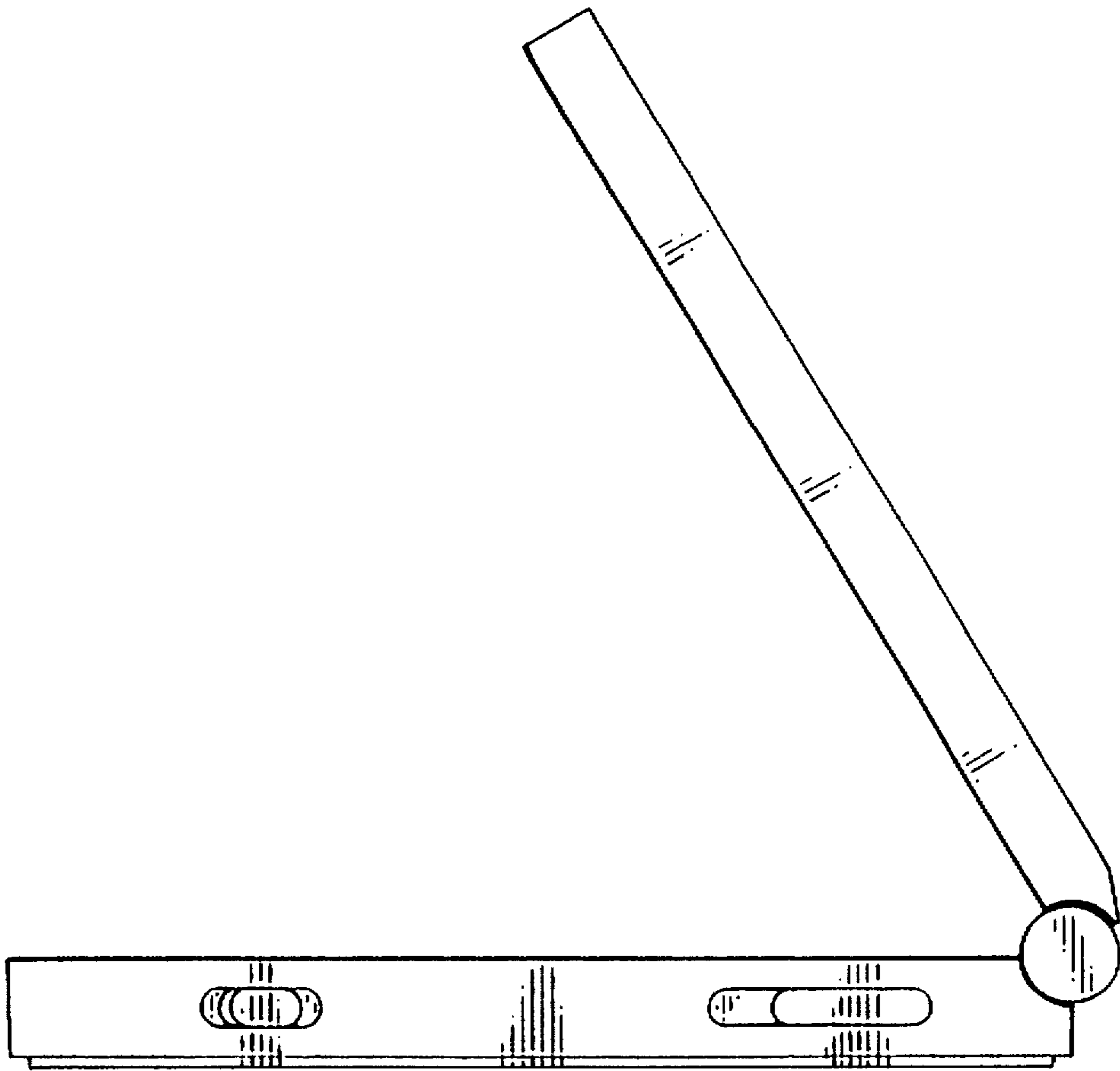


FIG. 9

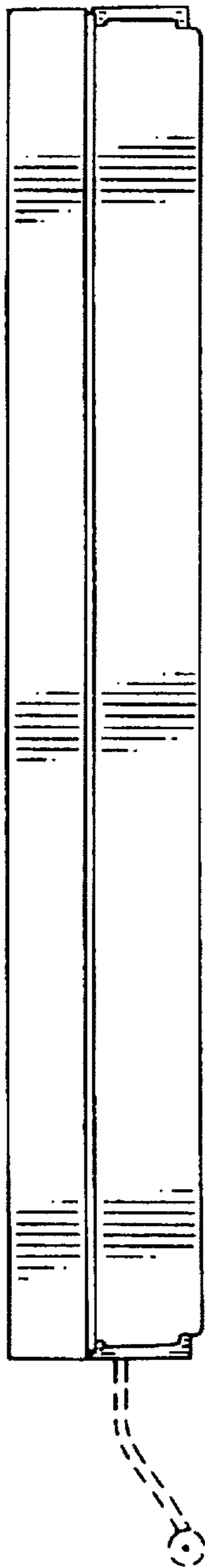


FIG. 10