



US00D395035S

United States Patent [19]
Goto

[11] **Patent Number: Des. 395,035**
[45] **Date of Patent: **Jun. 9, 1998**

[54] **FRONT PORTION OF CONNECTOR**

5,199,902 4/1993 Kahle et al. 439/595
5,486,117 1/1996 Change 439/357

[75] Inventor: **Teiyu Goto**, Tokyo, Japan

Primary Examiner—Joel Sincavage
Attorney, Agent, or Firm—Foley & Lardner

[73] Assignee: **Sony Corporation**, Tokyo, Japan

[**] Term: **14 Years**

[57] **CLAIM**

[21] Appl. No.: **62,025**

The ornamental design for a front portion of a connector, as shown and described.

[22] Filed: **Nov. 5, 1996**

DESCRIPTION

Related U.S. Application Data

[60] Division of Ser. No. 42,856, Aug. 9, 1995, Pat. No. Des. 381,957, which is a continuation-in-part of Ser. No. 30,143, Nov. 4, 1994, abandoned.

FIG. 1 is a perspective view of a first embodiment of a front portion of a connector showing my new design;

FIG. 2 is a top plan view thereof;

FIG. 3 is a left side elevational view thereof;

FIG. 4 is a front elevational view thereof;

FIG. 5 is a bottom plan view thereof; and

FIG. 6 is a right side elevational view thereof. The body portions shown in broken line are for the purpose of illustrating environmental structure only and form no part of the design of claimed in the first embodiment; and,

FIG. 7 is a perspective view of a second embodiment of a front portion of a connector showing my new design. The front elevational view of the embodiment of FIG. 7 is shown in FIG. 4.

The body portions shown in broken line are for the purpose of illustrating environmental structure only and form no part of the design of claimed in the second embodiment.

[30] **Foreign Application Priority Data**

May 7, 1994 [JP] Japan 6-12895

[51] LOC (6) CL. **13-03**

[52] U.S. CL. **D13/147**

[58] Field of Search D13/146, 147;
439/248, 562, 571

[56] **References Cited**

U.S. PATENT DOCUMENTS

D. 366,242 1/1996 Goto D13/147
4,944,568 7/1990 Danbach et al. 439/248 X
4,984,992 1/1991 Beamenderfer et al. 439/108

1 Claim, 3 Drawing Sheets

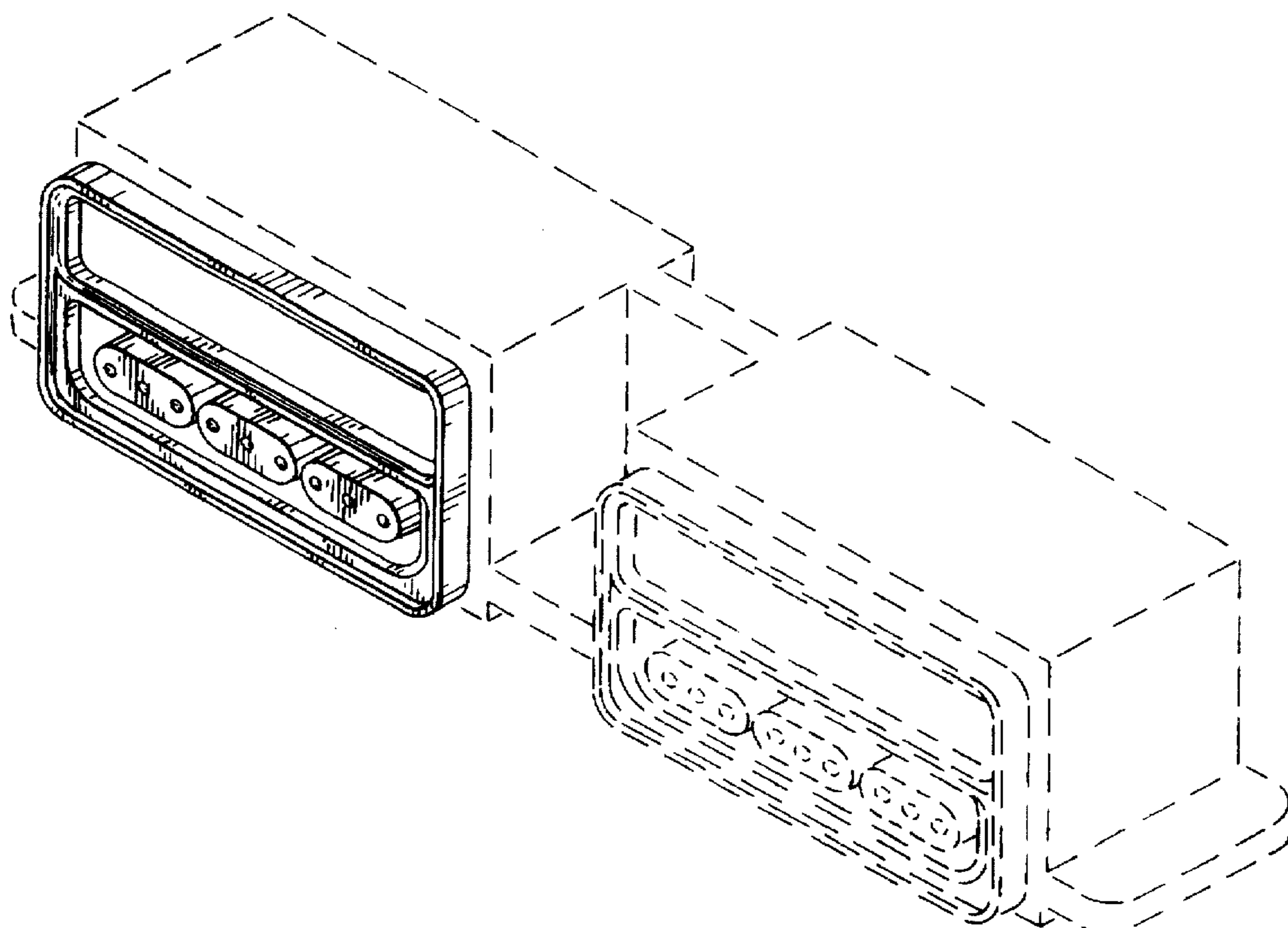


FIG. 1

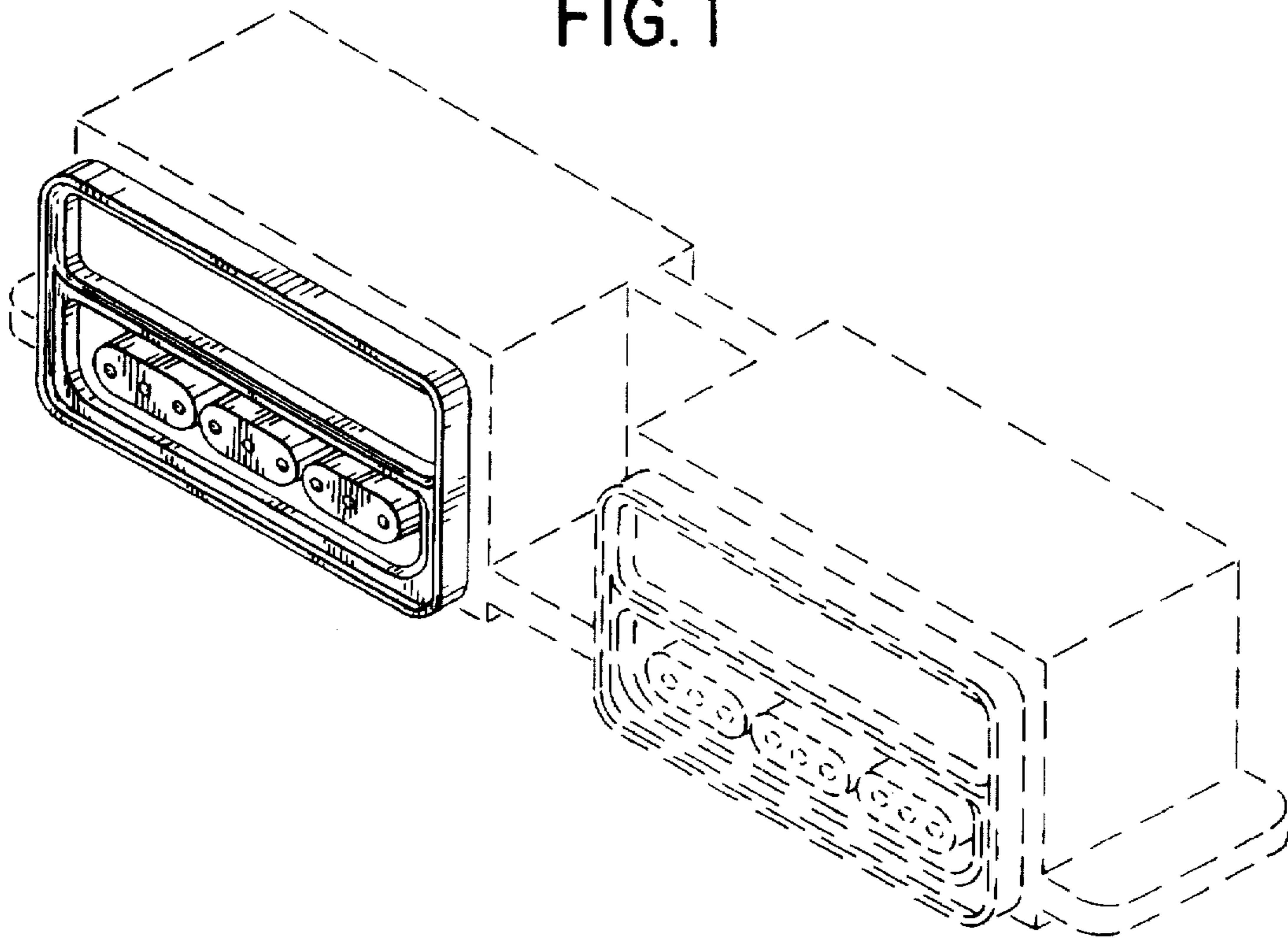


FIG. 2

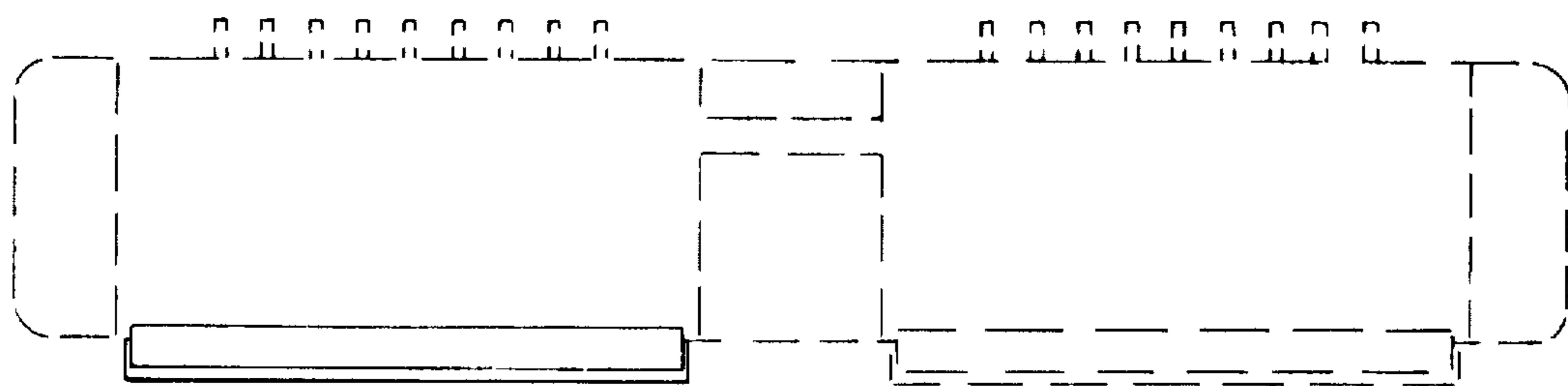


FIG. 3

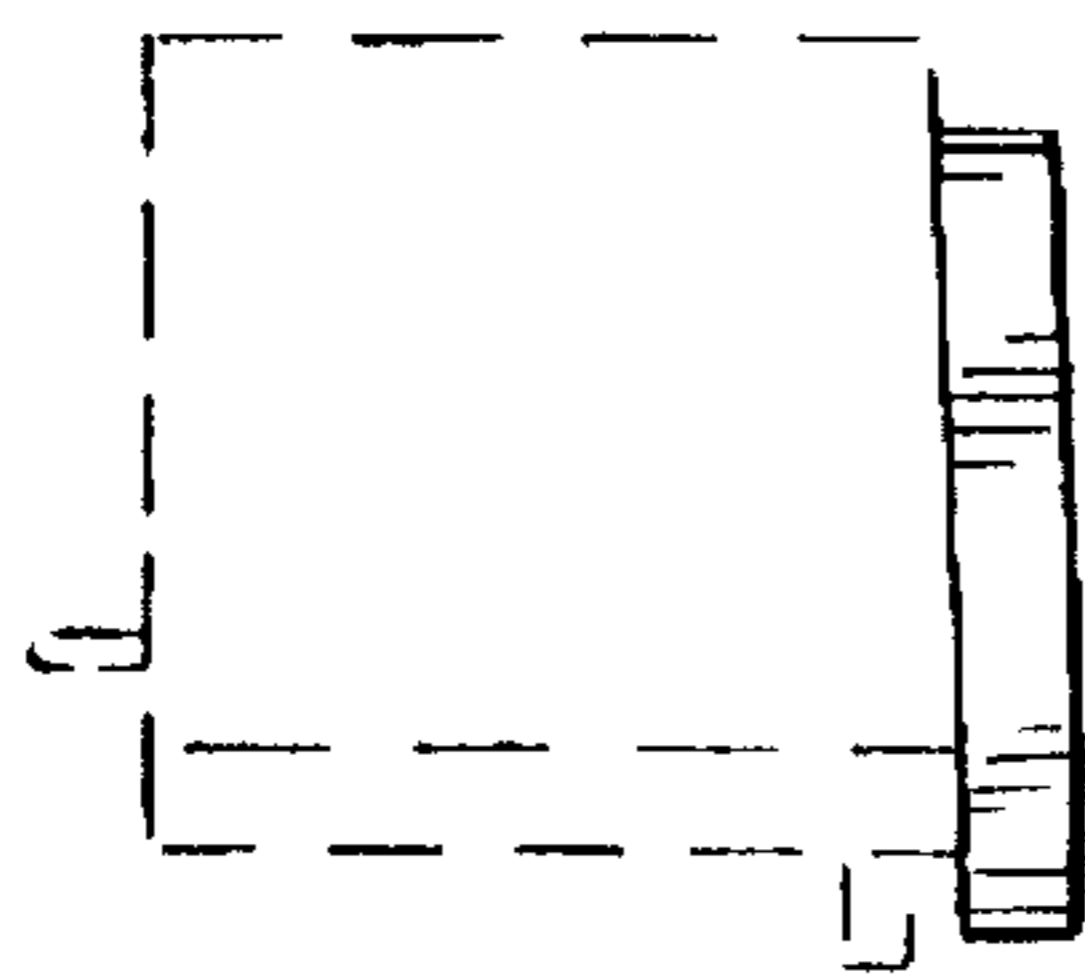


FIG. 6

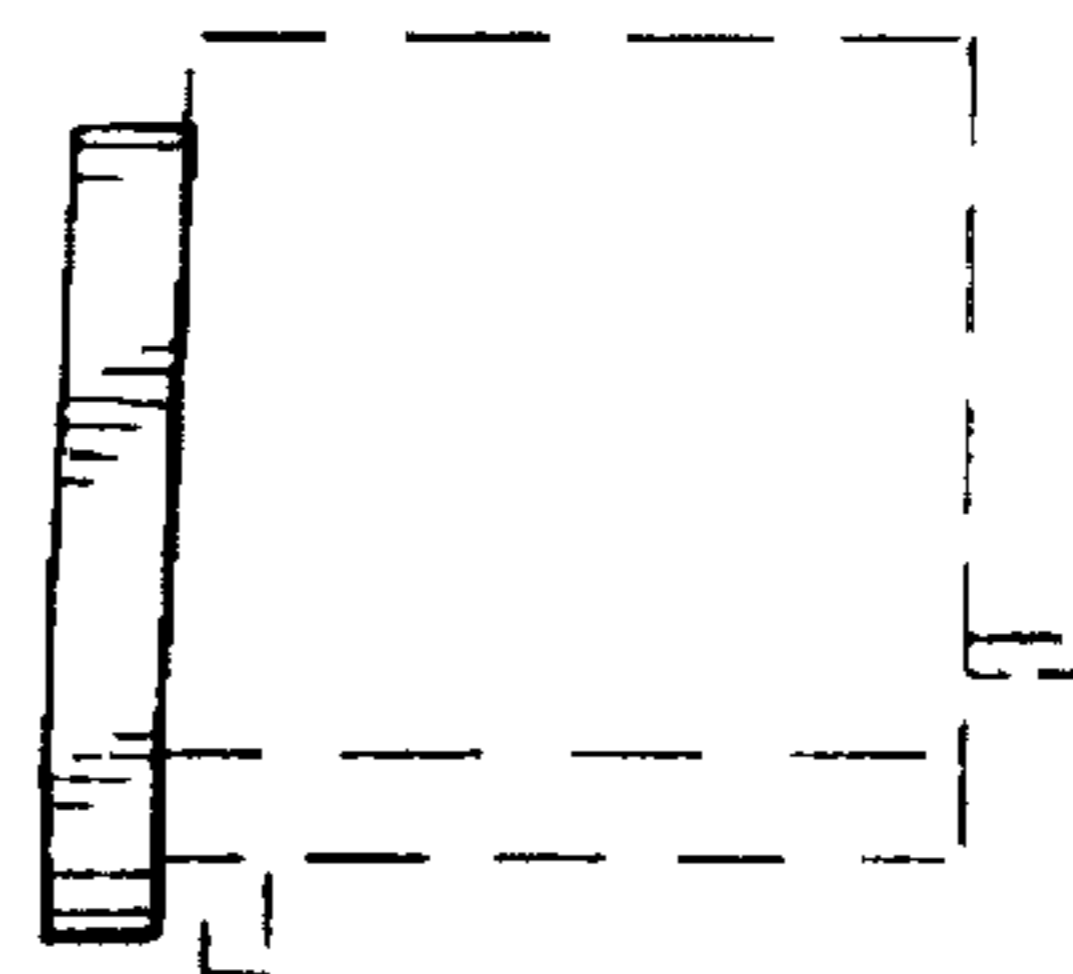


FIG. 4

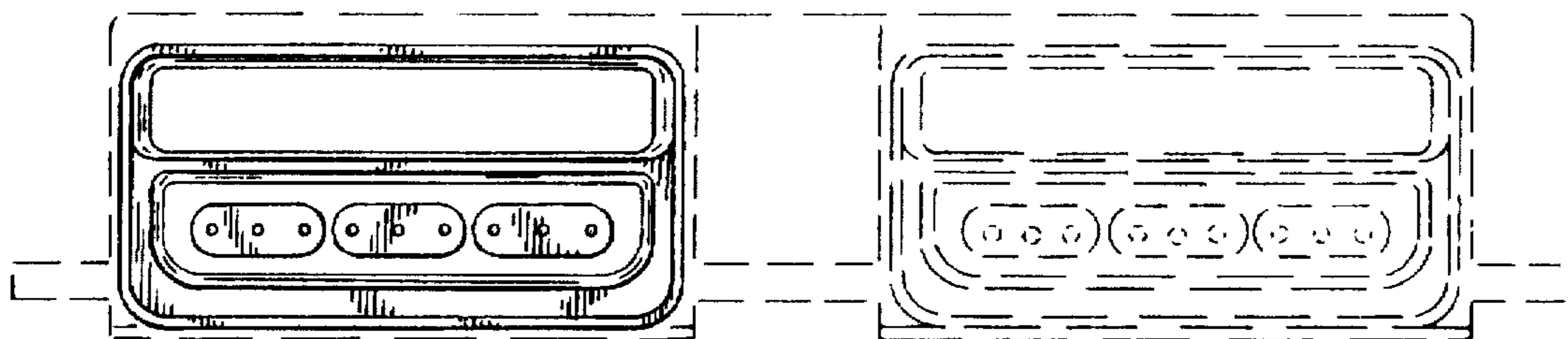


FIG. 5

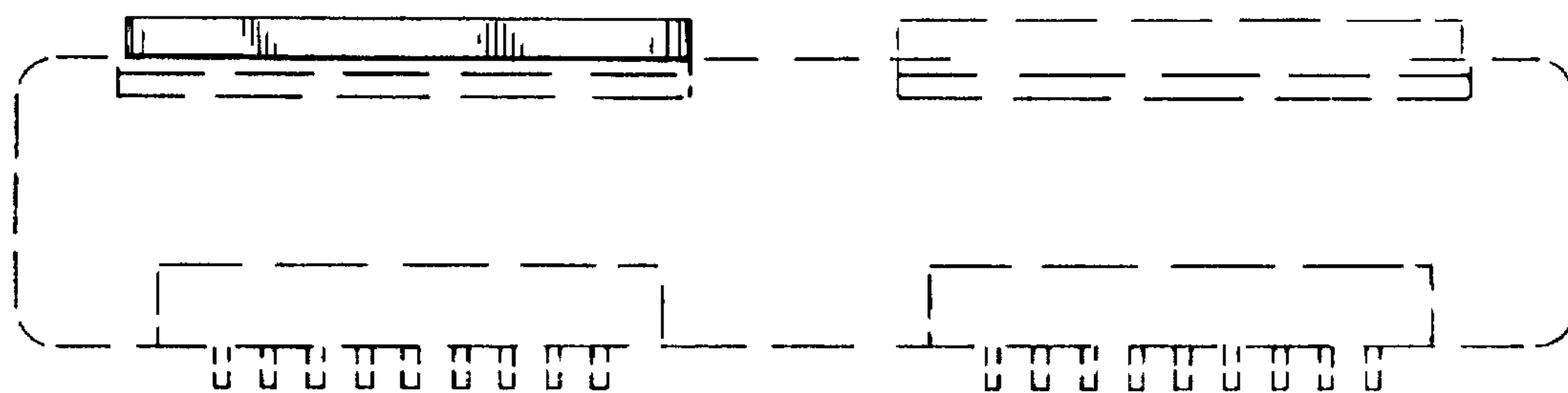


FIG. 7

