



US00D395033S

United States Patent [19]
Jackson

[11] **Patent Number: Des. 395,033**
[45] **Date of Patent: **Jun. 9, 1998**

[54] **PORTABLE ARM REST APPARATUS**

[76] **Inventor: Barry R. Jackson, 9202 Adelaide Dr., Bethesda, Md. 20817**

[**] **Term: 14 Years**

[21] **Appl. No.: 67,992**

[22] **Filed: Mar. 13, 1997**

[51] **LOC (6) Cl. 12-16**

[52] **U.S. Cl. D12/421**

[58] **Field of Search D12/400, 415, D12/416, 419-426; 296/37.15, 153; 224/275, 42.11; 297/411.2, 411.23-411.26**

[56] **References Cited**

U.S. PATENT DOCUMENTS

D. 191,356	9/1961	Krone	D12/421
D. 212,726	11/1968	Di Vona	D12/421
D. 235,082	5/1975	Weaver	D12/421
D. 251,035	2/1979	Hart	D12/421
D. 283,217	4/1986	Burnette et al.	D12/421
D. 306,713	3/1990	Sanders	D12/421
D. 314,539	2/1991	Swanner	D12/421

D. 345,648	4/1994	Favilla	D12/421
2,296,628	9/1942	Coppock	297/411.23
4,858,995	8/1989	Young	297/411.23

Primary Examiner—James Gandy
Assistant Examiner—Stacia Sinuik

[57] **CLAIM**

The ornamental design for a portable arm rest apparatus, as shown.

DESCRIPTION

FIG. 1 is a front plan view of the portable arm rest apparatus of the present invention;
FIG. 2 is a back plan view of the portable arm rest apparatus of FIG. 1;
FIG. 3 is a left side plan view of the portable arm rest apparatus of FIG. 1;
FIG. 4 is a right side plan view of the portable arm rest apparatus of FIG. 1;
FIG. 5 is a top plan view of the portable arm rest apparatus of FIG. 1; and,
FIG. 6 is a bottom plan view of the portable arm rest apparatus of FIG. 1.

1 Claim, 3 Drawing Sheets

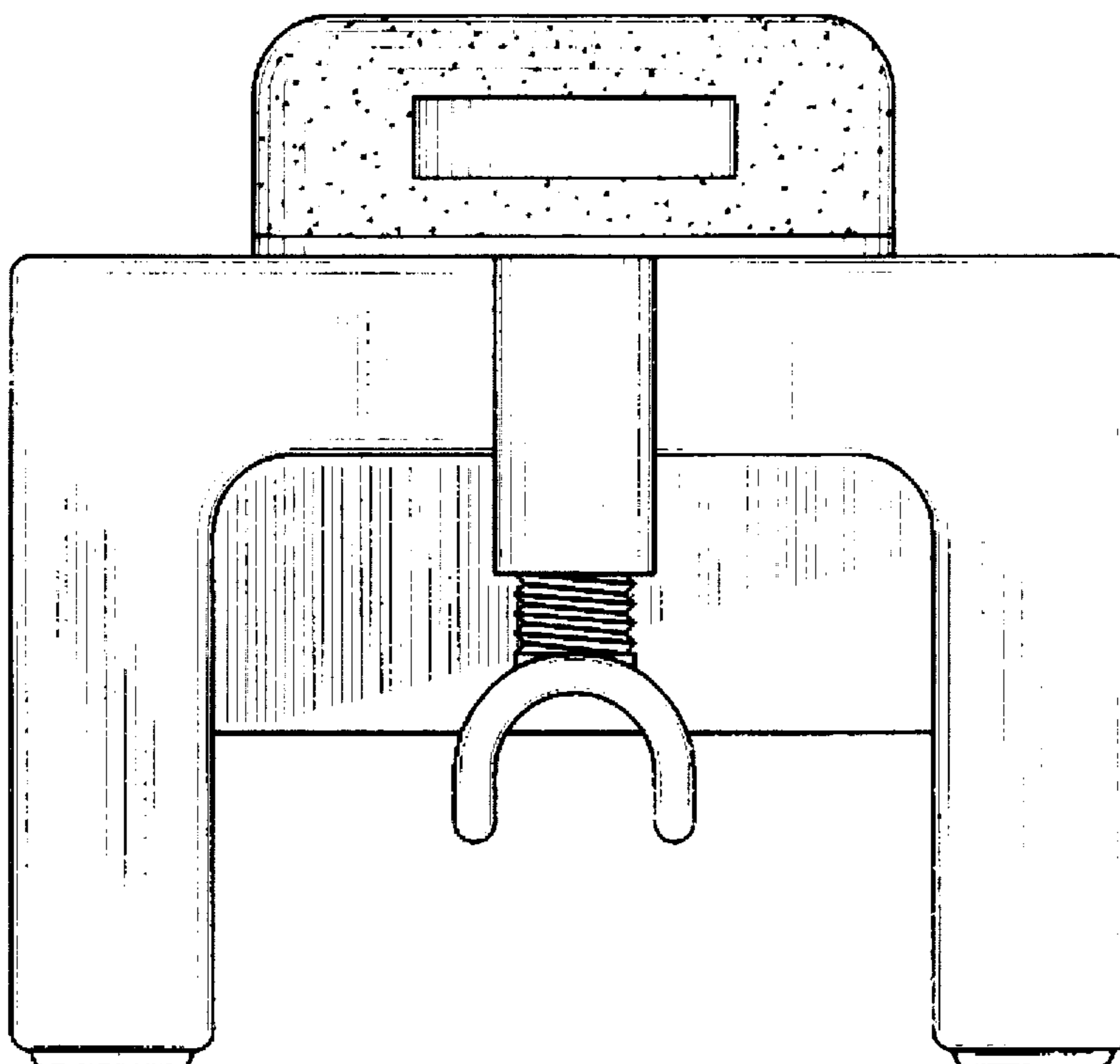


FIG. 1

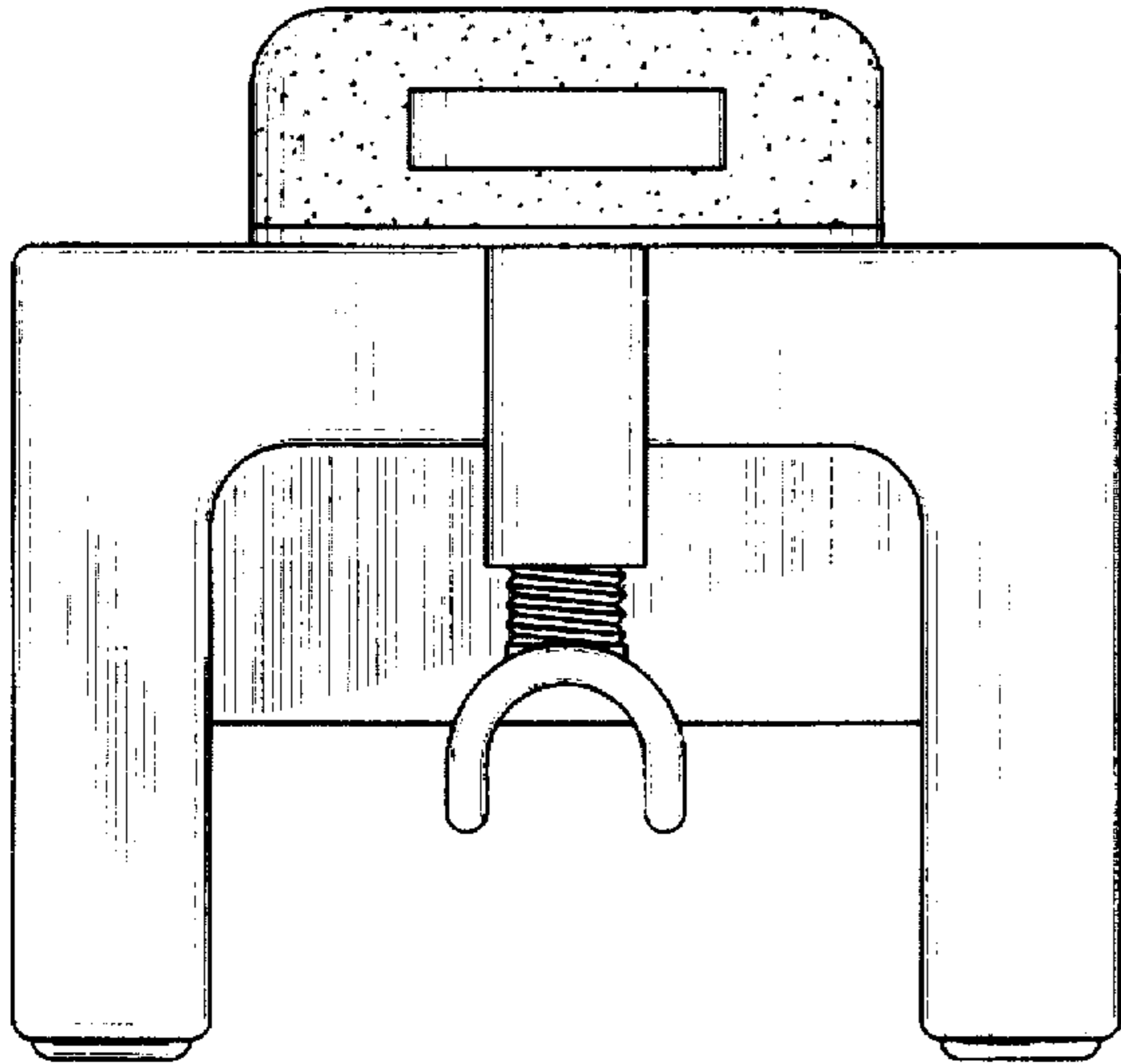


FIG. 2

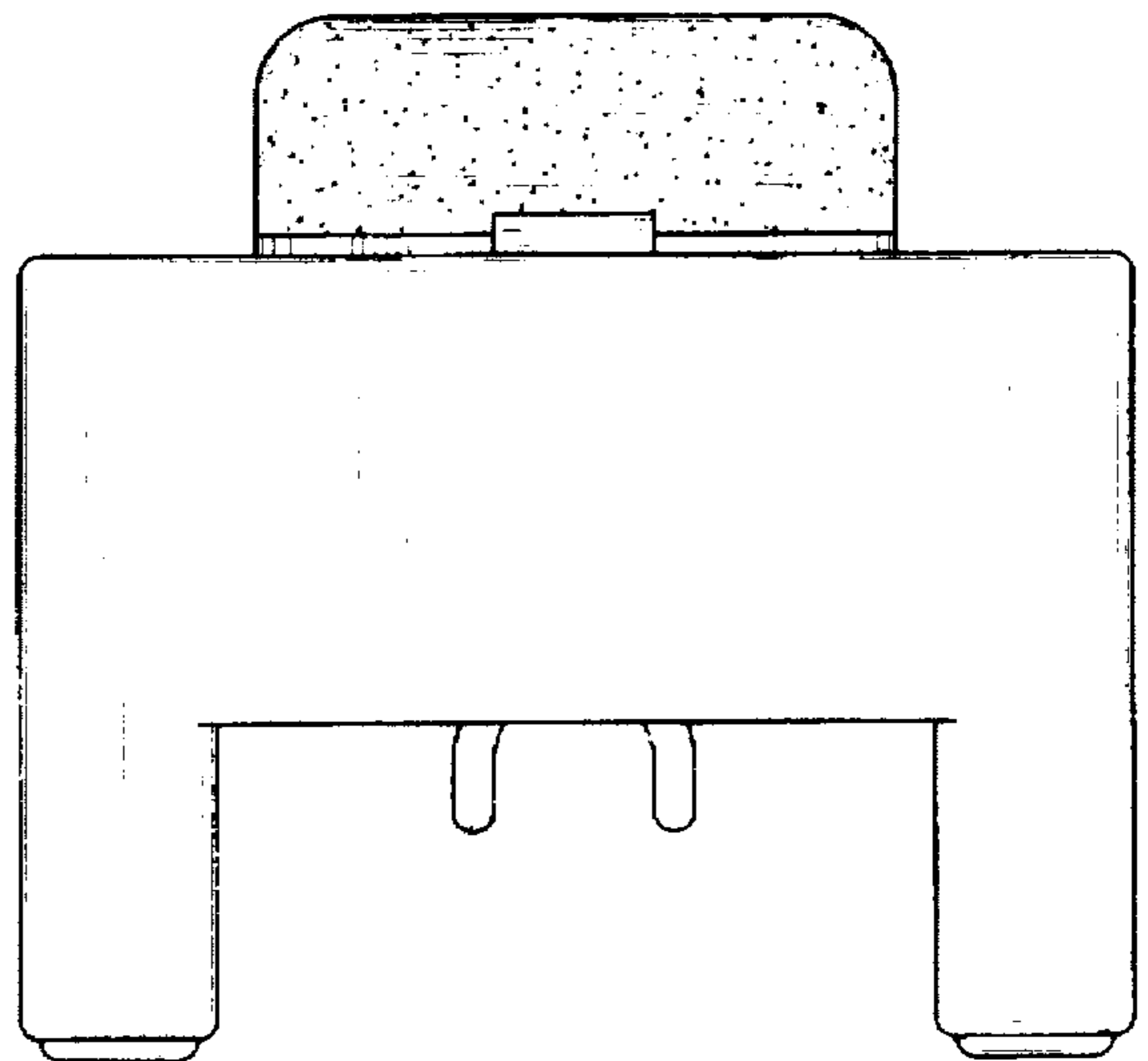


FIG. 3

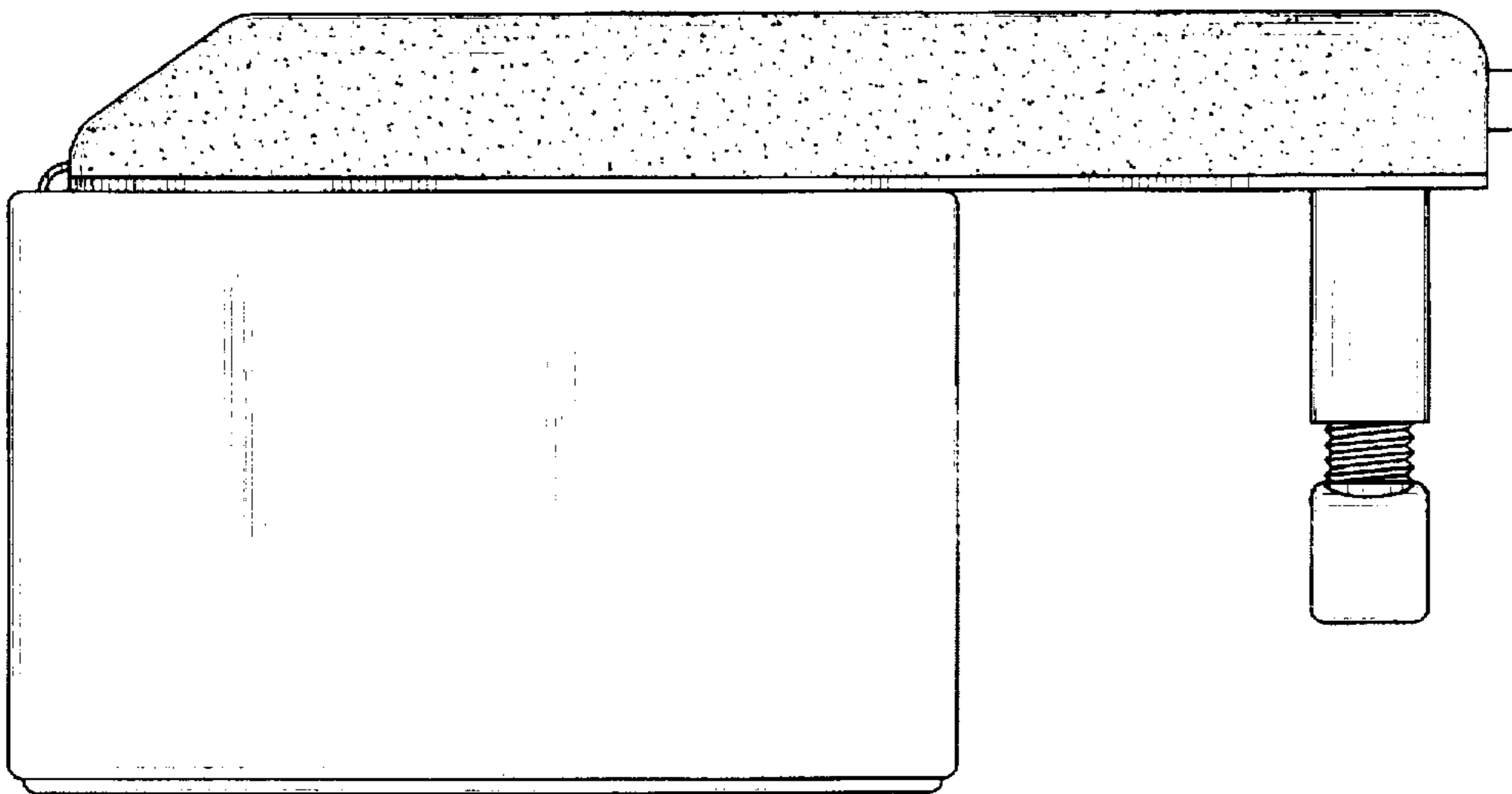


FIG. 4

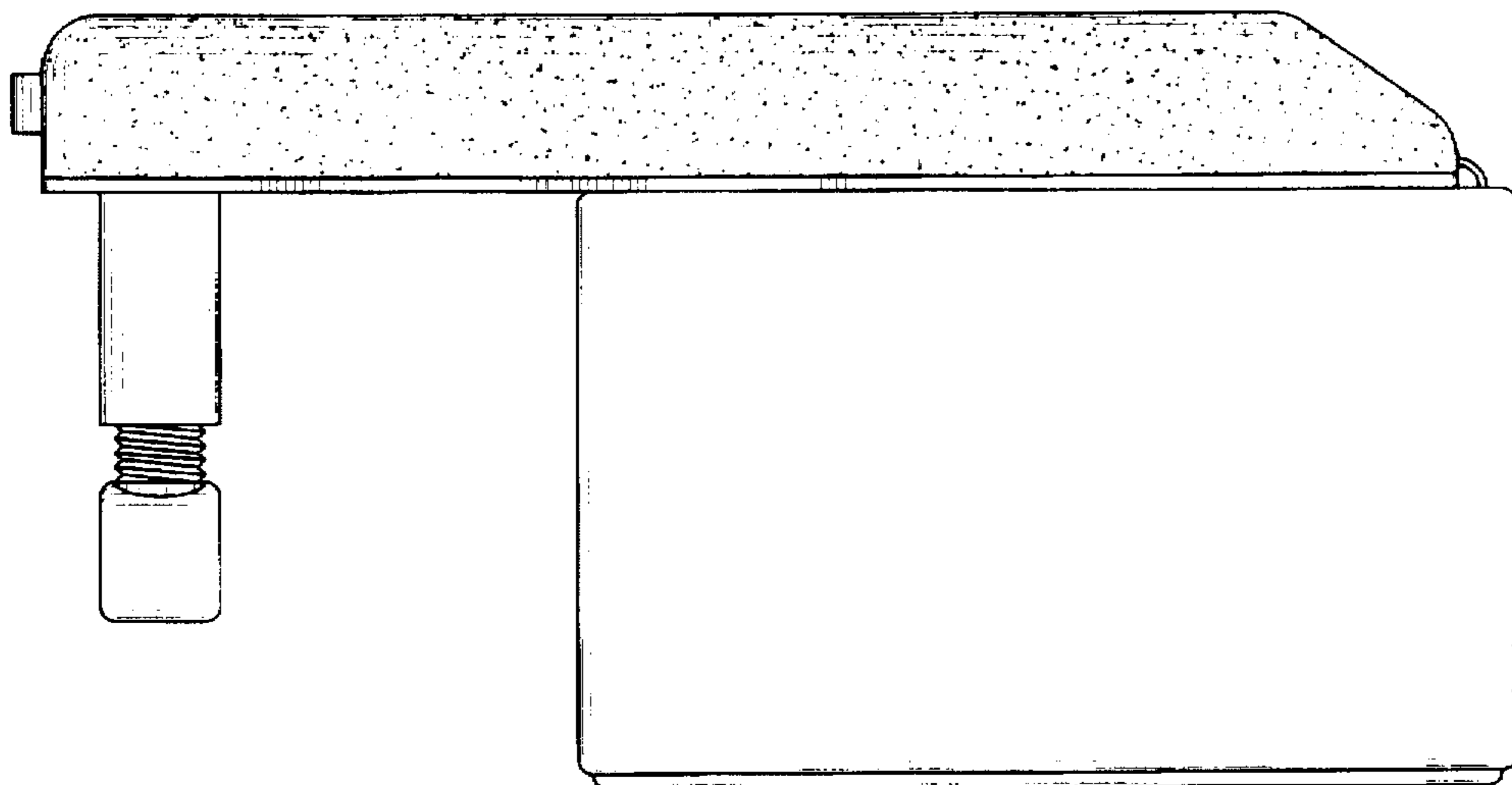


FIG. 5

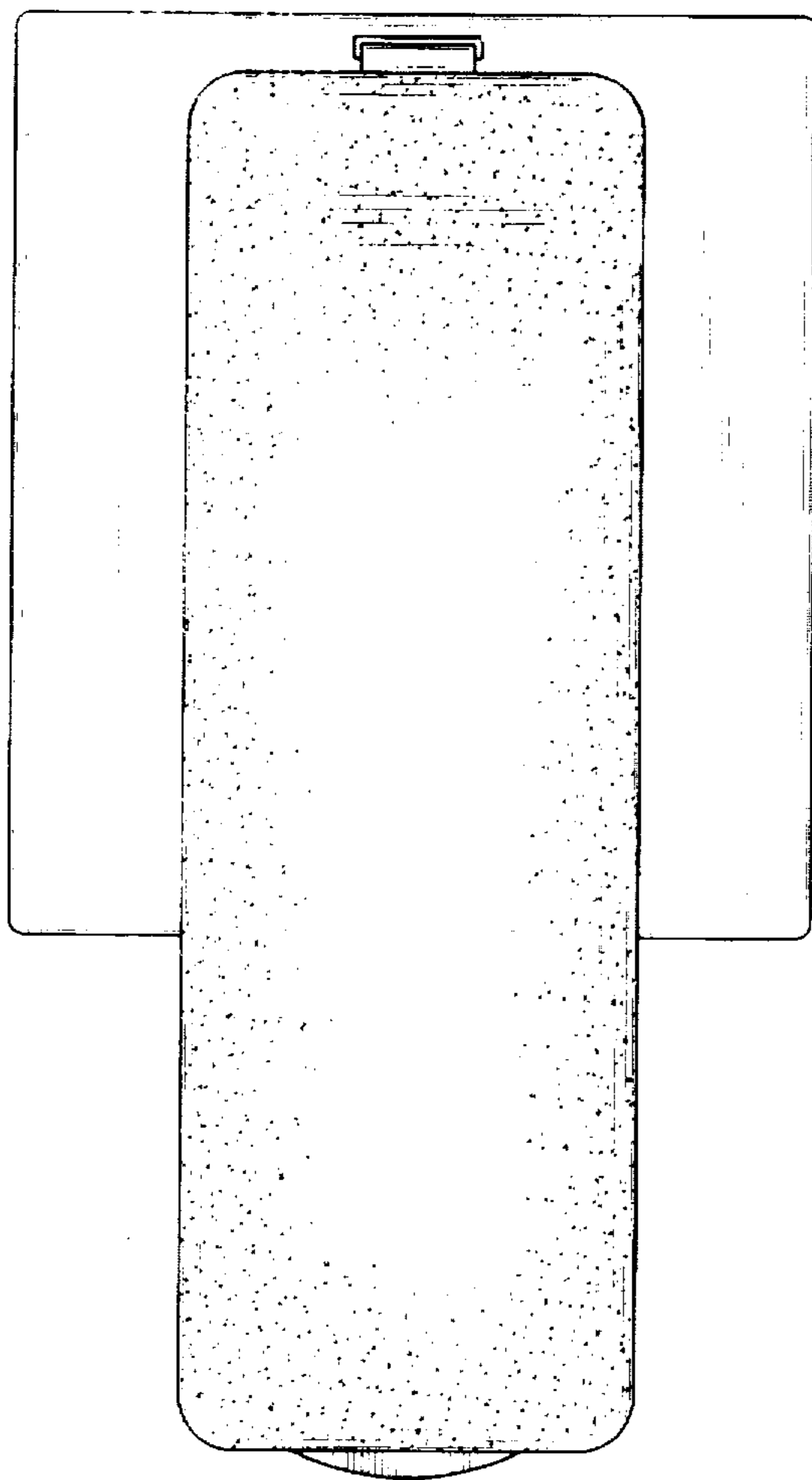


FIG. 6

